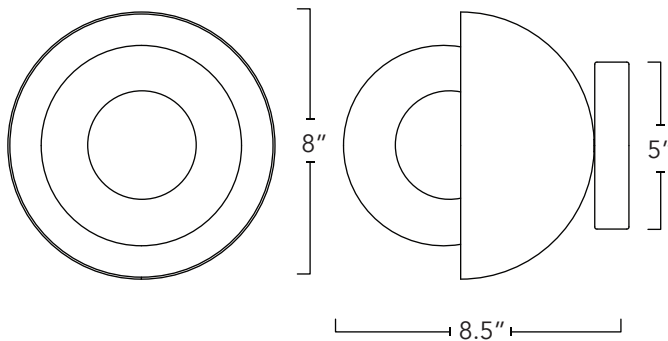




Pictured in Polished Steel & Vintage Brass

CURVE SCONCE 8 inch

Concentric circles of handblown glass and solid metal ripple and reflect the glow of a single bulb. Curve is at home on the wall or flush-mount on the ceiling.



Type	Wall Sconce
Dimensions	Depth: 8.5" Width: 8"
Weight	4.0 lb / 1.8 kg
Materials & Finish	Solid brass components and hand blown glass. Made by hand in Toronto, Canada Finishes: Hand Rubbed Vintage Brass Polished Steel & Vintage Brass
Illumination	Voltage: 120V Socket type: E26, Medium Base Incandescent: G18.5 Globe in Gloss White 1 X 40W for a total of 40W 1 X 300 lumens for a total of 300 lumens 2700K Colour Temperature / Dimmable or LED: A19 Globe in Milky White 1 X 8.5W for a total of 8.5W 1 X 1100 lumens for a total of 1100 lumens 2700K Colour Temperature / Dimmable Socket Type: E12, Candelabra LED: G16 Globe in Milky White 1 X 4W for a total of 4W 1 X 350 lumens for a total of 350 lumens 2700K Colour Temperature / Dimmable

Lead Time 4 to 8 Weeks

Certification cUL US