

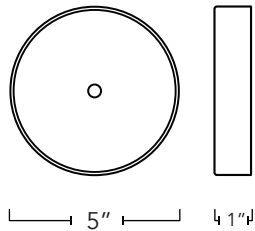
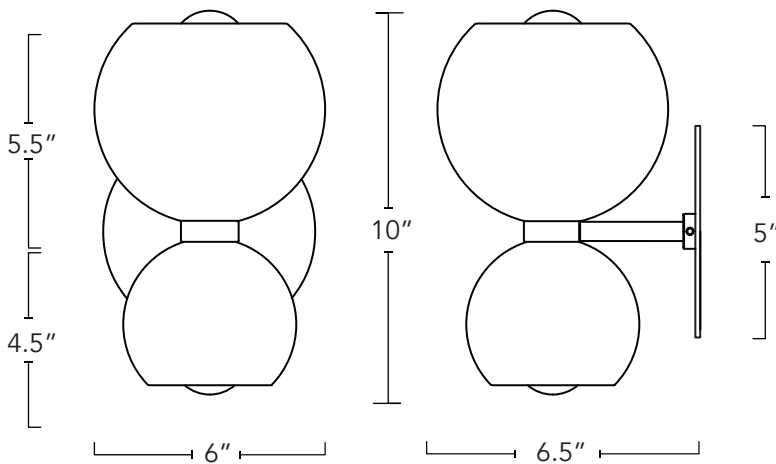


Pictured in Vintage Brass and Opal Glass


BETTY SCONCE

With curvaceous shapes and a nipped center, Betty is a modern take on Mid-century era design. Sculptural mold-blown glass spheres glow in opal opaque or semi-opaque colors.

Made by hand in Kingston, Canada.



*Alternative 5" diameter,
1" deep back-plate available.

Type	Wall Sconce
Dimensions	Height: 10" Width: 6" Depth: 6.5"
Weight	3.5lb +/- 0.5lb 1.6 kg +/- 0.2 kg
Materials & Finish	Solid brass components and hand blown glass Finishes: Vintage Brass Blackened Brass Polished Nickel Satin Nickel Glass Colors: Opal, Smoked Grey, Clear, Blue
Certification	 Dry location Damp location option available

Illumination Voltage: 120V 60HZ
Socket type: E12, Candelabra

BULBS INCLUDED

Incandescent: G16.5 Globe in Gloss White
2 X 40W for a total of 80W
2 X 330 lumens for a total of 660 lumens
2700K Color Temperature / Dimmable
or
Various retrofit LED options available

Lead Time 2 to 6 Weeks