

THE DREAM PANEL

BACKLIT LED FLAT PANEL



eran industrial.



USA Company

Dream Panels are commercial luminaires utilizing an advanced LED optical system to deliver superior lighting performance. They achieve high uniformity, DLC PREMIUM energy efficiency and reduced glare in typical T-bar grid ceiling applications.

Our state-of-the-art backlit LED technology utilizes PMMA lensing over the LEDs which will not discolor over time. The need for a light guide is eliminated, thus increasing photometric performance while keeping costs competitive. Combined with the rigid back enclosure that prevents warping in application, this luminaire is designed for worry-free longevity and reliability. Available with factory installed battery backup for 90 minutes emergency egress illumination.



SPECIFICATIONS

CONSTRUCTION

- Aluminum frame in white finish, steel die-formed back enclosure

OPTICS

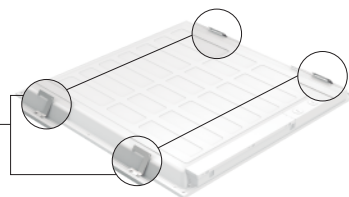
- PMMA lenses over LEDs, PS diffuser
- SDCM < 5
- UGR < 22
- 120° Beam angle

ELECTRICAL

- 0-10VDC Dimming (10%-100%)

INSTALLATION

- Recessed in T-bar grid ceiling with integral earthquake clips for secure attachment
- Surface mount and suspension mount cable kit accessories available



WARRANTY

- 5 Year



CERTIFICATIONS

- UL Listed for Damp Locations
- IC Rated for insulated ceilings
- RoHS, FCC
- DLC PREMIUM
- -20°C to 43°C (4°F to 110°F)

QUICKSHIP ORDERING INFORMATION

Catalog #	Size	CCT	Nominal Lumens	Watts	LPW	CRI	Voltage	DLC	Weight	Qty/ Carton	Pallet Qty.
DP-14-U-P-30-35K-80-D	1' x 4'	3500K	3750	30	125	80	120-277VAC	PREMIUM	5.2 lbs	2	66
DP-14-U-P-30-40K-80-D	1' x 4'	4000K	3825	30	127.5	80	120-277VAC	PREMIUM	5.2 lbs	2	66
DP-22-U-P-30-35K-80-D	2' x 2'	3500K	3750	30	125	80	120-277VAC	PREMIUM	5.2 lbs	2	72
DP-22-U-P-30-40K-80-D	2' x 2'	4000K	3825	30	127.5	80	120-277VAC	PREMIUM	5.2 lbs	2	72
DP-22-U-P-30-50K-80-D	2' x 2'	5000K	3825	30	127.5	80	120-277VAC	PREMIUM	5.2 lbs	2	72
DP-22-U-P-36-35K-80-D	2' x 2'	3500K	4500	36	125	80	120-277VAC	PREMIUM	5.2 lbs	2	72
DP-22-U-P-36-40K-80-D	2' x 2'	4000K	4590	36	127.5	80	120-277VAC	PREMIUM	5.2 lbs	2	72
DP-22-U-P-36-50K-80-D	2' x 2'	5000K	4590	36	127.5	80	120-277VAC	PREMIUM	5.2 lbs	2	72
DP-24-U-P-40-35K-80-D	2' x 4'	3500K	5000	40	125	80	120-277VAC	PREMIUM	9.2 lbs	2	44
DP-24-U-P-40-40K-80-D	2' x 4'	4000K	5100	40	127.5	80	120-277VAC	PREMIUM	9.2 lbs	2	44
DP-24-U-P-40-50K-80-D	2' x 4'	5000K	5100	40	127.5	80	120-277VAC	PREMIUM	9.2 lbs	2	44
DP-24-U-P-50-35K-80-D	2' x 4'	3500K	6250	50	125	80	120-277VAC	PREMIUM	9.2 lbs	2	44
DP-24-U-P-50-40K-80-D	2' x 4'	4000K	6375	50	127.5	80	120-277VAC	PREMIUM	9.2 lbs	2	44
DP-24-U-P-50-50K-80-D	2' x 4'	5000K	6375	50	127.5	80	120-277VAC	PREMIUM	9.2 lbs	2	44

EXPERIENCE THE DREAM MAKE IT YOUR REALITY

QUICKSHIP EMERGENCY EGRESS MODELS

Catalog #	Size	CCT	Emergency Lumens	AC Lumens	Watts	LPW	CRI	Voltage	DLC	Weight	Qty/ Carton
DP-14-U-S-30-35K-80-D-EL	1' x 4'	3500K	1515	3750	30	125	80	120-277VAC	STANDARD	12 lbs	1
DP-14-U-S-30-40K-80-D-EL	1' x 4'	4000K	1515	3825	30	127.5	80	120-277VAC	STANDARD	12 lbs	1
DP-22-U-S-30-35K-80-D-EL	2' x 2'	3500K	1515	3750	30	125	80	120-277VAC	STANDARD	11 lbs	1
DP-22-U-S-30-40K-80-D-EL	2' x 2'	4000K	1515	3825	30	127.5	80	120-277VAC	STANDARD	11 lbs	1
DP-22-U-S-36-35K-80-D-EL	2' x 2'	3500K	1515	4500	36	125	80	120-277VAC	STANDARD	11 lbs	1
DP-22-U-S-36-40K-80-D-EL	2' x 2'	4000K	1515	4590	36	127.5	80	120-277VAC	STANDARD	11 lbs	1
DP-22-U-S-36-50K-80-D-EL	2' x 2'	5000K	1515	4590	36	127.5	80	120-277VAC	STANDARD	11 lbs	1
DP-24-U-S-40-35K-80-D-EL	2' x 4'	3500K	1530	5000	40	125	80	120-277VAC	STANDARD	16 lbs	1
DP-24-U-S-40-40K-80-D-EL	2' x 4'	4000K	1530	5100	40	127.5	80	120-277VAC	STANDARD	16 lbs	1
DP-24-U-S-50-35K-80-D-EL	2' x 4'	3500K	1530	6250	50	125	80	120-277VAC	STANDARD	16 lbs	1
DP-24-U-S-50-40K-80-D-EL	2' x 4'	4000K	1530	6375	50	127.5	80	120-277VAC	STANDARD	16 lbs	1
DP-24-U-S-50-50K-80-D-EL	2' x 4'	5000K	1530	6375	50	127.5	80	120-277VAC	STANDARD	16 lbs	1

Pallet Qty. for 2x2: 32, 2x4: 16

Note: Factory installed 12W battery backup provides 90 minutes of illumination when AC power is removed

MAKE-TO-ORDER ORDERING INFORMATION

DLC PREMIUM MODELS



EXAMPLE

DP-22-U-P-30-35K-80-D-EL

SERIES — SIZE — INPUT VOLTAGE — DLC — WATTAGE — CCT — CRI — DIMMING — OPTIONS — LUMENS

DREAM PANELS	DP	24 = 2x4	H = 120-347V U = 120-277V	P = PREMIUM	30	35K = 3500K 40K = 4000K 50K = 5000K	80	D = 0-10VDC DIMMING	EL = EMERGENCY BACKUP	3750-3825
					40					5000-5100
					50					6250-6375
		22 = 2x2			20					2500-2550
					25					3125-3188
					30					3750-3825
					36					4500-4590
		14 = 1x4			25					3125-3188
					30					3750-3825
					40					5000-5100

THE DREAM PANEL

BACKLIT LED FLAT PANEL

DLC STANDARD MODELS



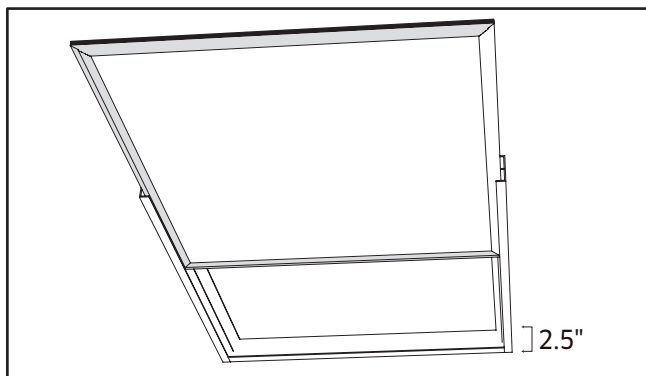
EXAMPLE DP-24-U-S-40-50K-80-D

SERIES	SIZE	INPUT VOLTAGE	DLC	WATTAGE	CCT	CRI	DIMMING	LUMENS	
DREAM PANELS	24 = 2x4	H = 120-347V U = 120-277V	S = STANDARD	30	30K = 3000K 35K = 3500K 40K = 4000K 50K = 5000K	80 90*	D = 0-10VDC DIMMING	3088-3540	
								40	4274-4870
								50	5619-6181
	22 = 2x2			20	2283-2315				
				25	2683-2805				
				30	3240-3434				
				36	4075-4305				
				40	4518-4835				
				50	5155-5793				
	14 = 1x4			25	2646-2765				
				30	3300-3425				
				40	3950-4359				

*90CRI is not DLC qualified

MOUNTING ACCESSORIES

SURFACE MOUNT KITS



- DP-SMF-14-W** 1x4 Surface Mount Kit, White
- DP-SMF-22-W** 2x2 Surface Mount Kit, White
- DP-SMF-24-W** 2x4 Surface Mount Kit, White

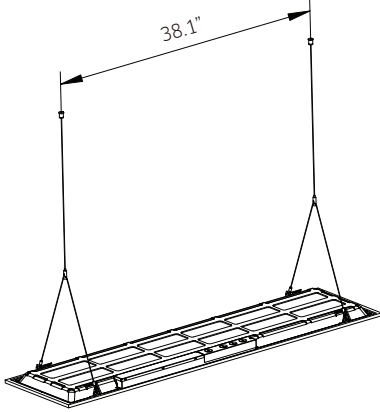
THE DREAM PANEL

BACKLIT LED FLAT PANEL

SUSPENSION CABLE MOUNT KITS

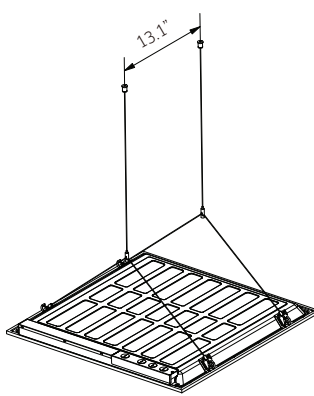
(Max. Adjustment Range: 3.9 Feet; Min. Adjustment Range: 0.6 Feet)

1X4 Kits



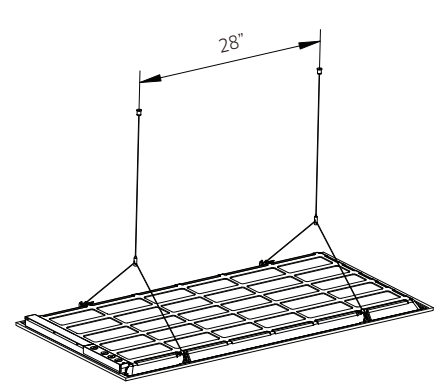
DP-PKT-12-S 2-Cable Kit

2X2 Kits



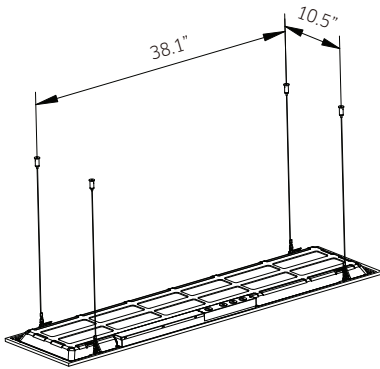
DP-PKT-12-S 2-Cable Kit

2X4 Kits

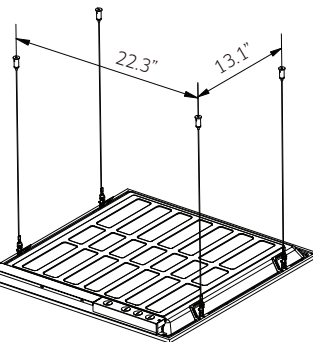


DP-PKT-12-S 2-Cable Kit

38.1" 10.5"

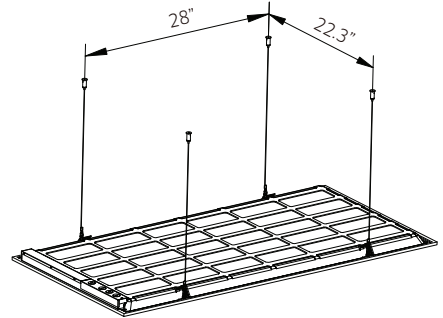


DP-PKT-14-S 4-Cable Kit



DP-PKT-14-S 4-Cable Kit

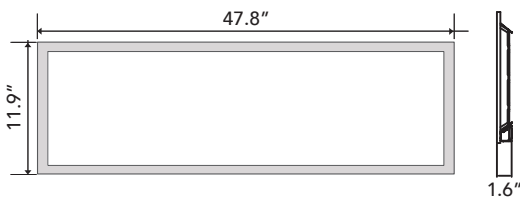
28" 22.3"



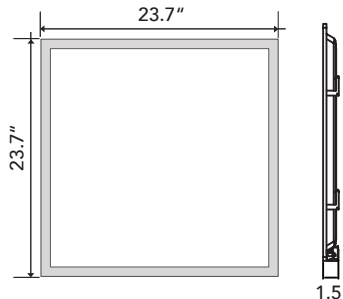
DP-PKT-14-S 4-Cable Kit

DIMENSIONS

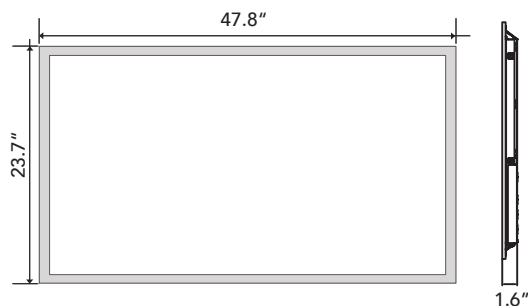
1x4



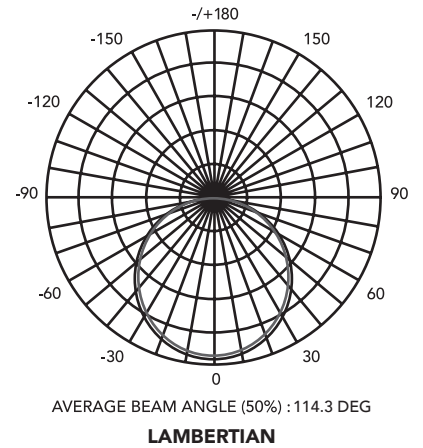
2x2



2x4



PHOTOMETRY



Version: 19 | August 26, 2021