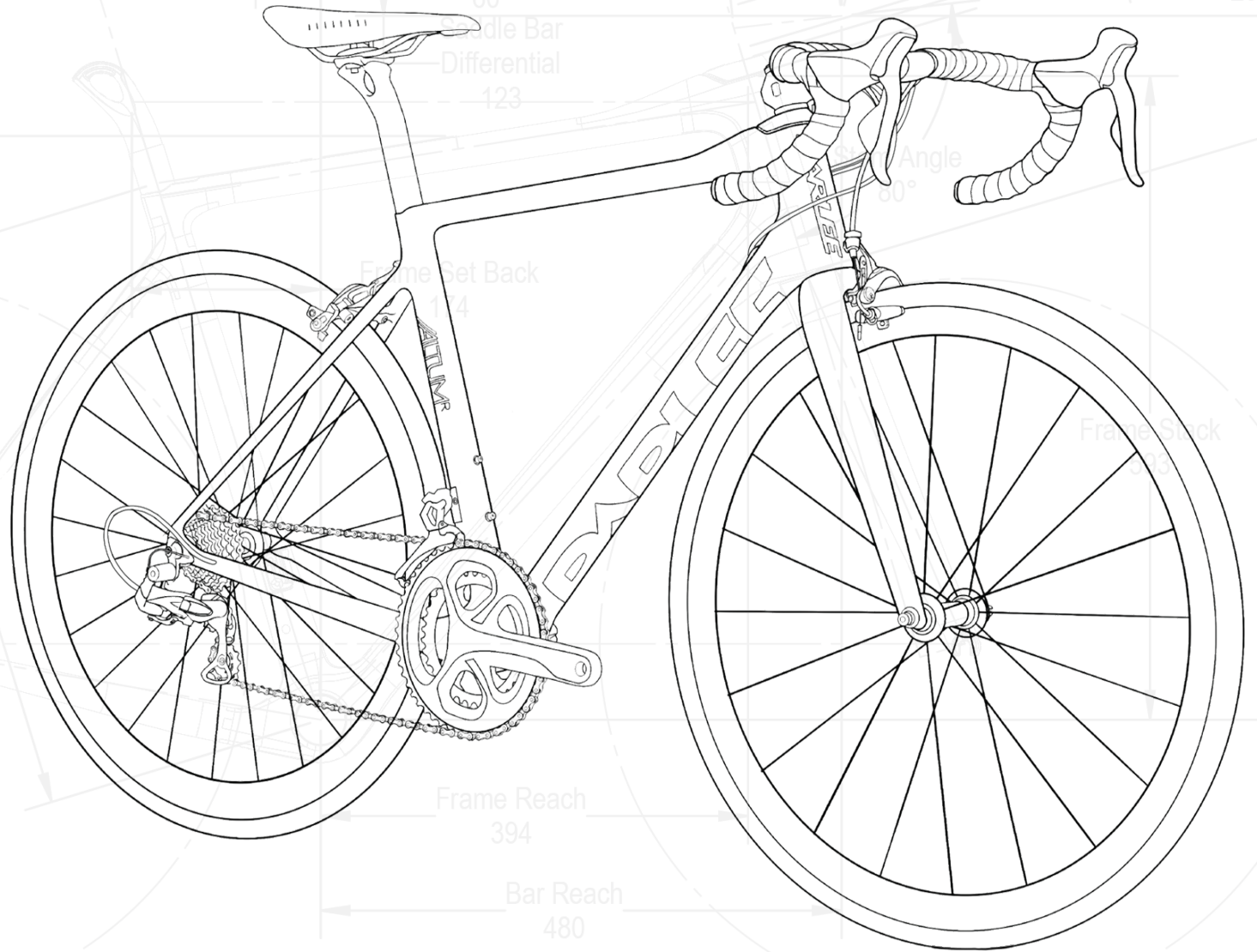


ALTUM

Mechanical Drivetrain Cabling Guide



R1.0

PARLEE

Saddle Tip to ST
176

Horizontal
540

Spacer
10

Congratulations on the purchase of your new PARLEE Altum!

The Altum is our most advanced model to date, delivering race ready performance with our signature PARLEE ride.

This manual contains important assembly and service information. All assembly and service of PARLEE bicycles must be carried out by an authorized PARLEE Dealer/Mechanic.

Note to PARLEE Dealers/Mechanics: We strongly advise that you read this manual in its entirety before assembly of the bicycle to familiarize yourself with the systems and proprietary procedures of its assembly.

If you have any questions contact PARLEE at:

Phone: 978.998.4880

Email: Info@parleecycles.com



Table Of Contents

03 - Seat Post Installation

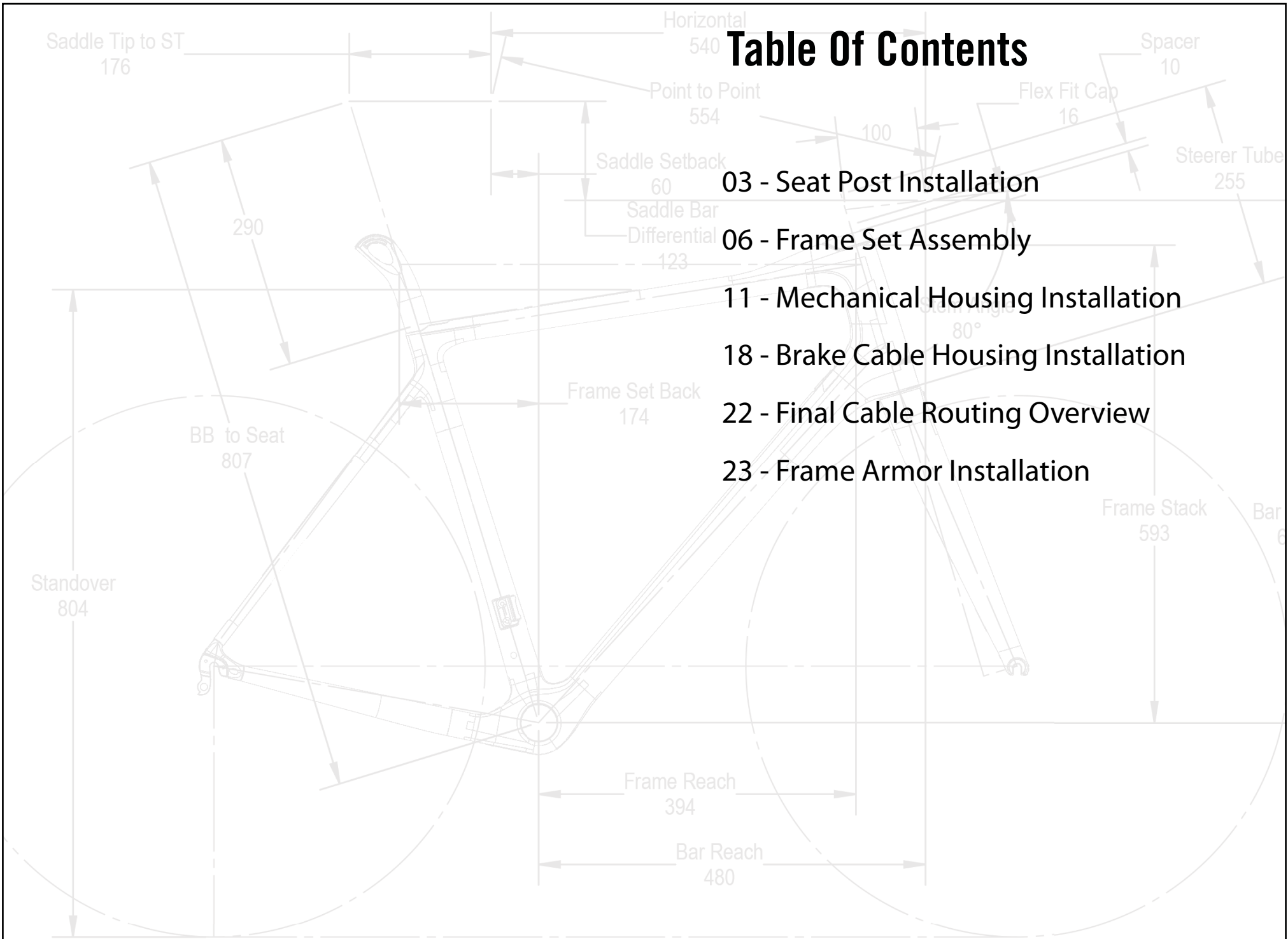
06 - Frame Set Assembly

11 - Mechanical Housing Installation

18 - Brake Cable Housing Installation

22 - Final Cable Routing Overview

23 - Frame Armor Installation



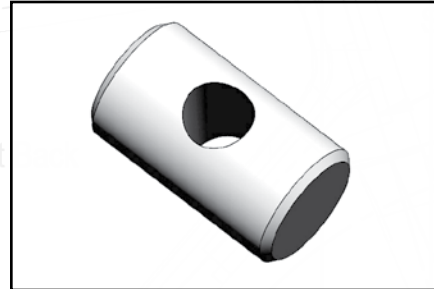
Saddle Tip to ST
176

Horizontal
540

Spacer
10



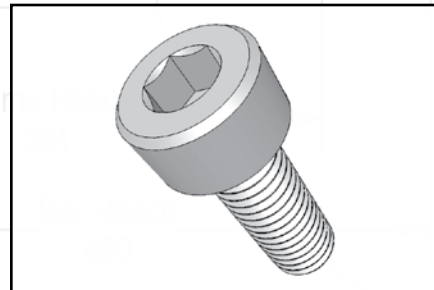
Altum Clamp Follower
x1



Seat Post Clamp Nut
x1



Altum Clamp Top
x1



M5 Wedge Clamp Bolt
x1

Seat Post Assembly

Standover
804

Frame Set
174

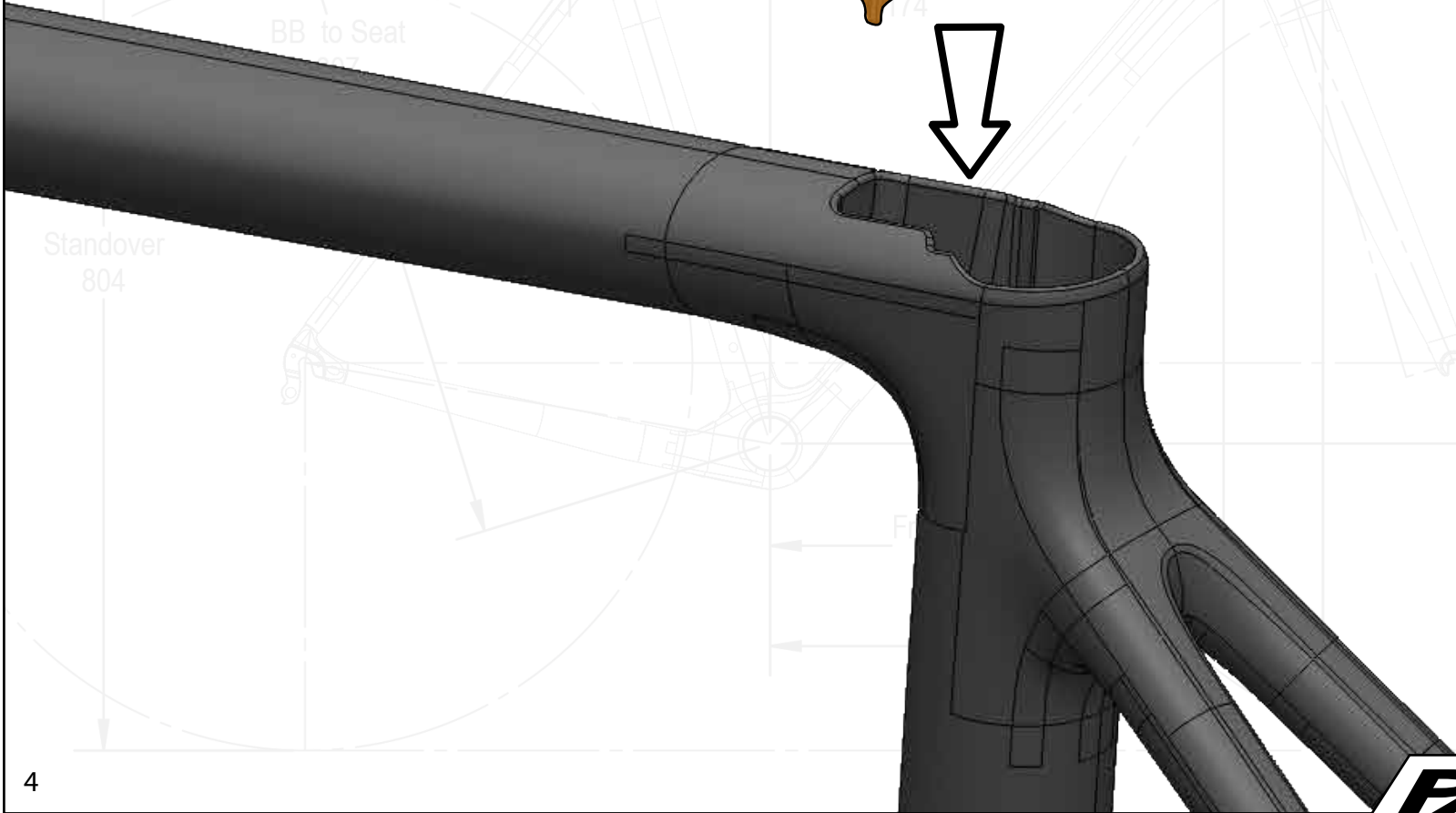
Frame

Red Loctite All Threaded Surfaces.

STEP
1

Torque to 5-8nm

Seat Post Clamp



Saddle Tip to ST
176

Horizontal
540

Spacer
10

STEP
2

Point to Point

Flex Fit Cap
16

100

255

290



Seat Post

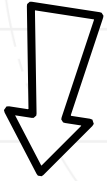
Stem Angle
80°

BB to Seat
807

Frame Stack
593

Standover
804

Apply Carbon Paste



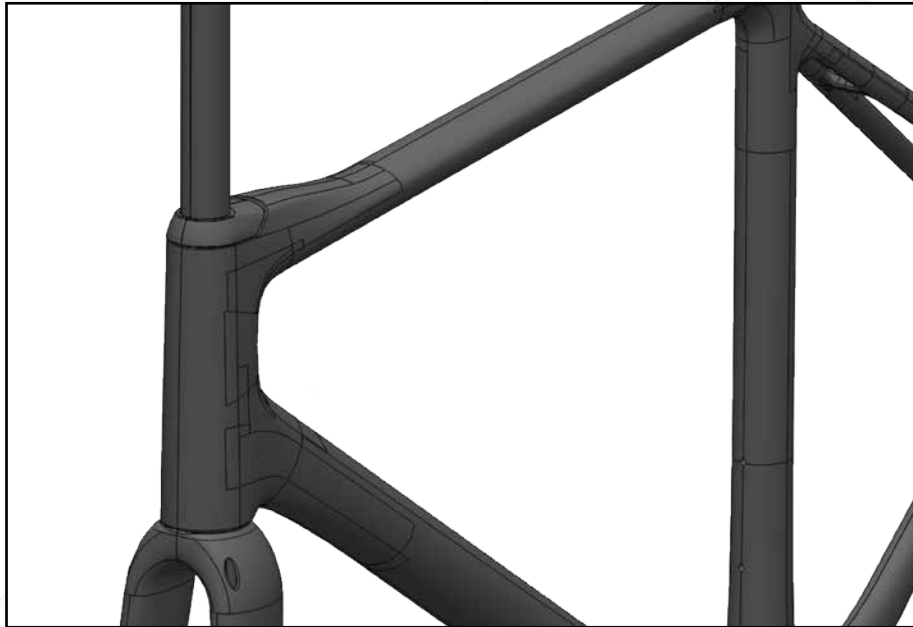
Frame Reach
394

Bar Reach
480

Saddle Tip to ST
176

Horizontal
540

Spacer
10



Lower Bearing
x1



Upper Bearing
x1

Frame Set Assembly



Top Cap 15mm
x1

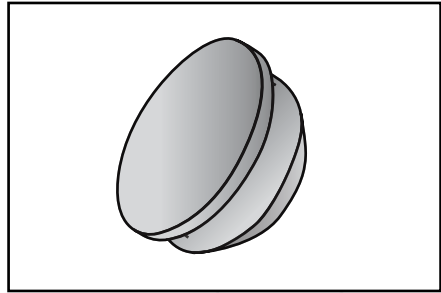


Bearing Seal
x1



Bearing Ring
x1

Saddle Tip to ST
176

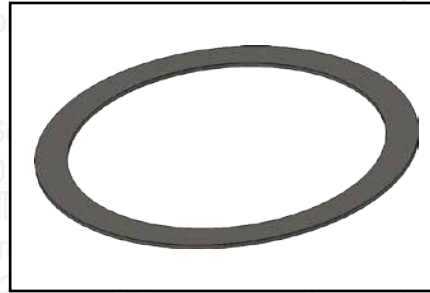


Blind Grommet

x1

For Mechanical Front Drive - train

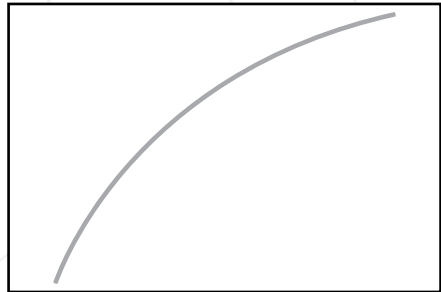
Horizontal
540



Steel Spacer

x2

Spacer
10



Teflon Tubing

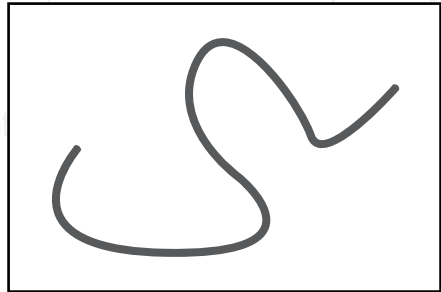
x1

For Mechanical Drive - train



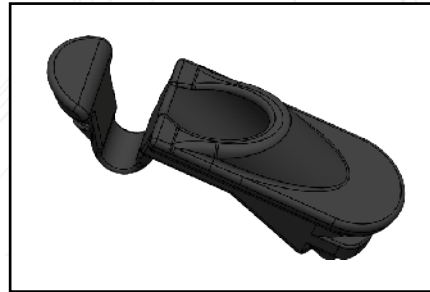
Electronic BB Hatch

For Electronic Drive - train



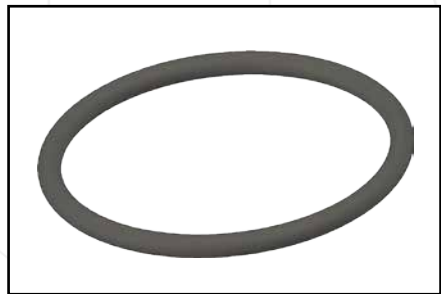
Foam Silencer Tubing

x1



Brake Housing Stop

x1



Rubber Seal

x1

Frame Reach
394

Bar Reach
480

Saddle Tip to ST
176

Horizontal
540

Spacer
10



BB Cable Guide

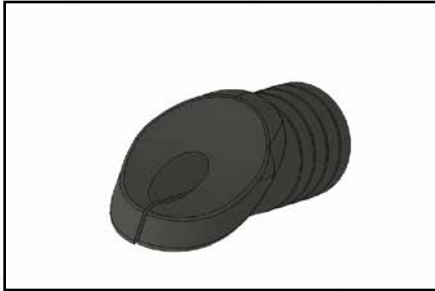
x1



Electronic DT Cable Stop

x1

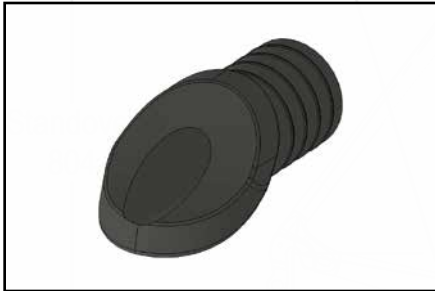
Electronic Drive - Trains Only



Electronic Rear Derailleur Grommet

x1

Electronic Drive - Trains Only



Mechanical Rear Derailleur Grommet

x1

Mechanical Drive - Trains Only



Mechanical DT Cable Stop

x1

Electronic Drive - Trains Only

Saddle S
60
Sadd
Diffe
12

Frame Set Back
174

Stem Angle
80°

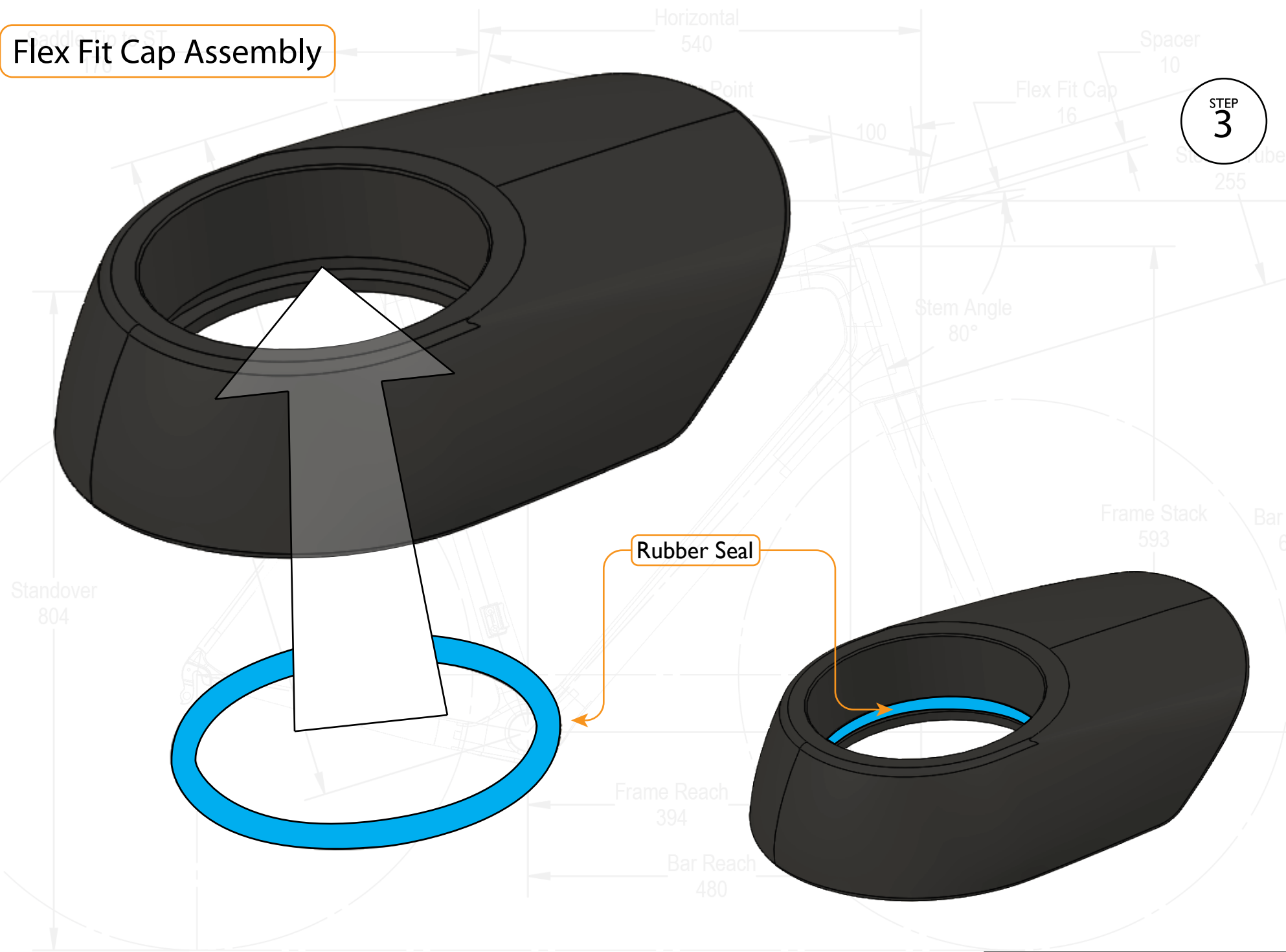
Frame Stack
593

Frame Reach
394

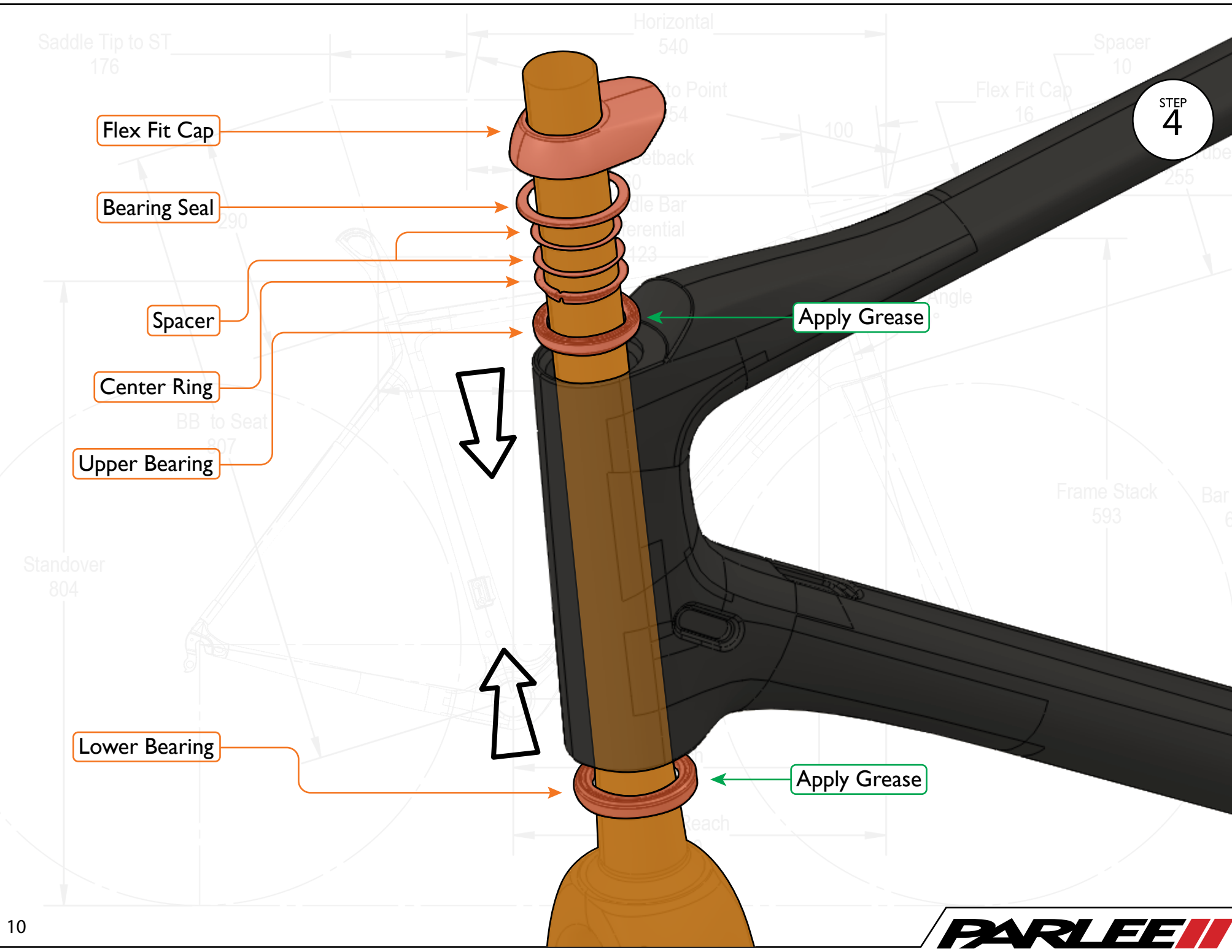
Bar Reach
480

Flex Fit Cap Assembly

STEP
3



Rubber Seal



Saddle Tip to ST
176

Spacer
10

STEP
5

Flex Fit Cap
16

Star Tube
255

Frame Stack

Frame Stack
593

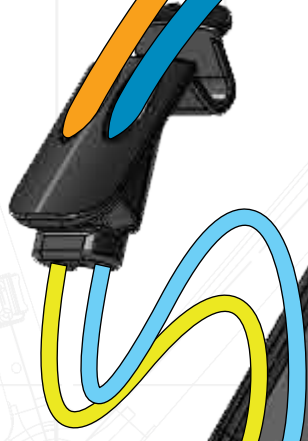
BB to Seat
807



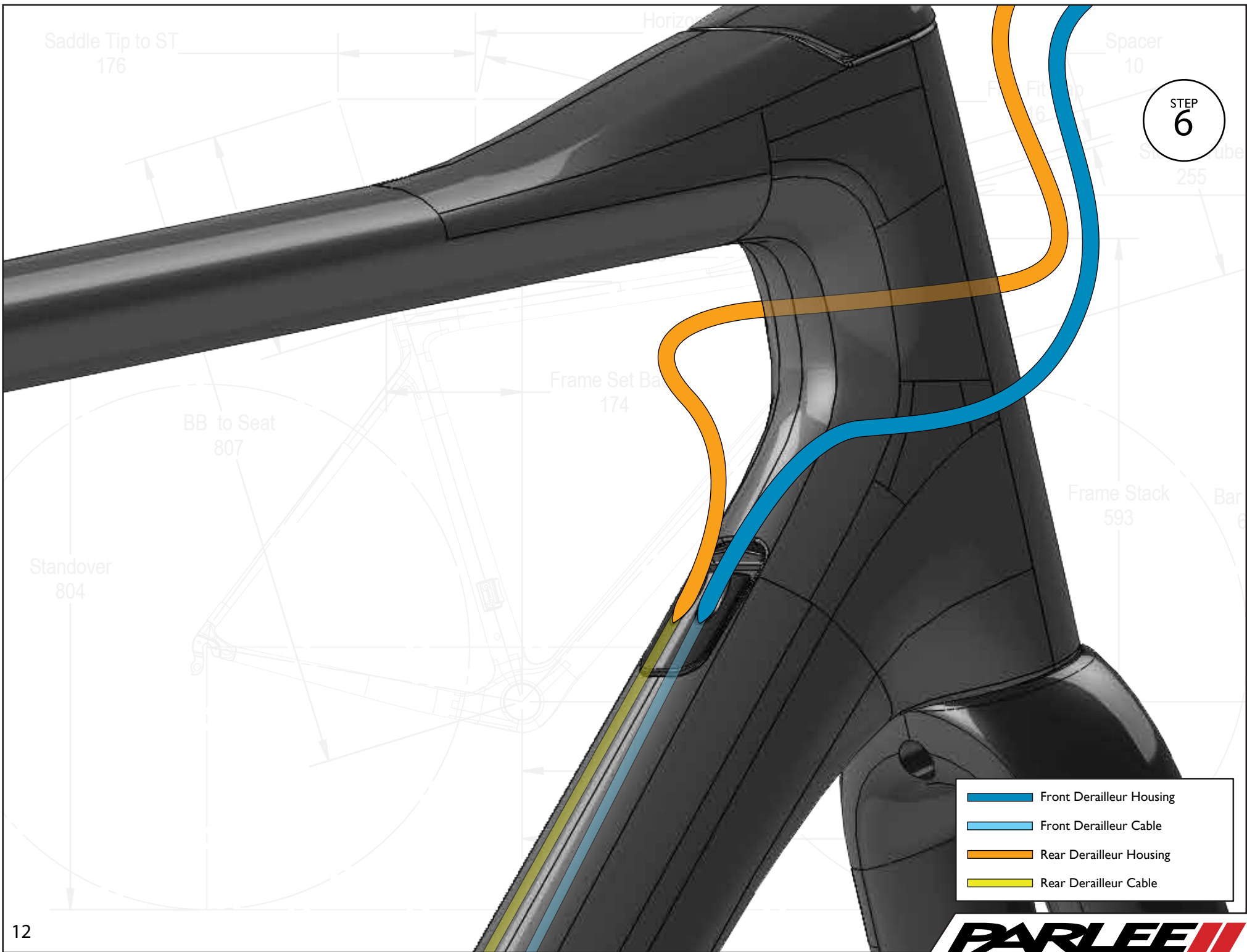
Mechanical



Electronic



- Front Derailleu Housing
- Front Derailleu Cable
- Rear Derailleu Housing
- Rear Derailleu Cable



Saddle Tip to ST
176

Horizo

Spacer
10

STEP
6

255

Frame Set Bar
174

BB to Seat
807

Frame Stack
593

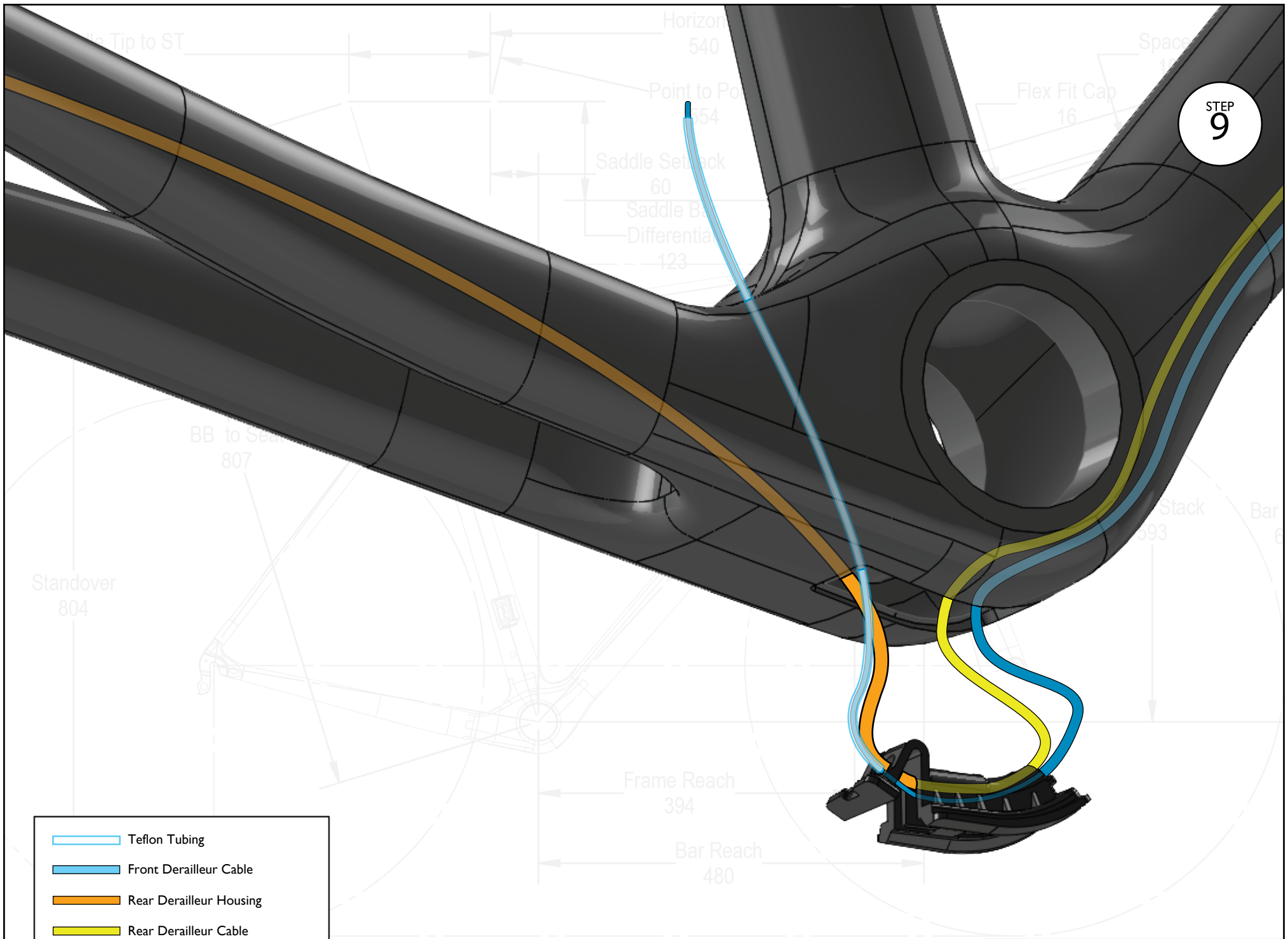
Standover
804

- Front Derailleur Housing
- Front Derailleur Cable
- Rear Derailleur Housing
- Rear Derailleur Cable

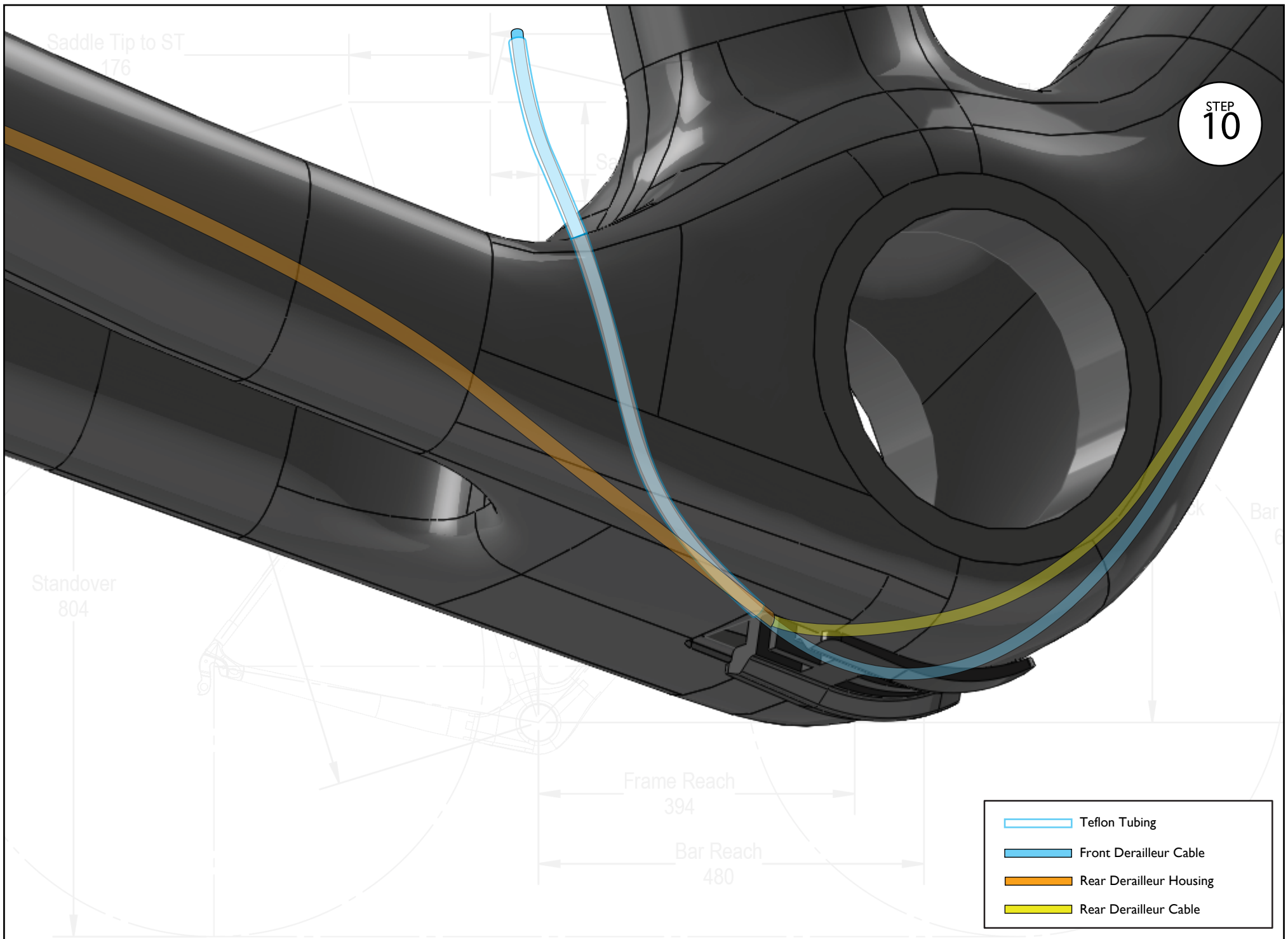




STEP
9



STEP
10



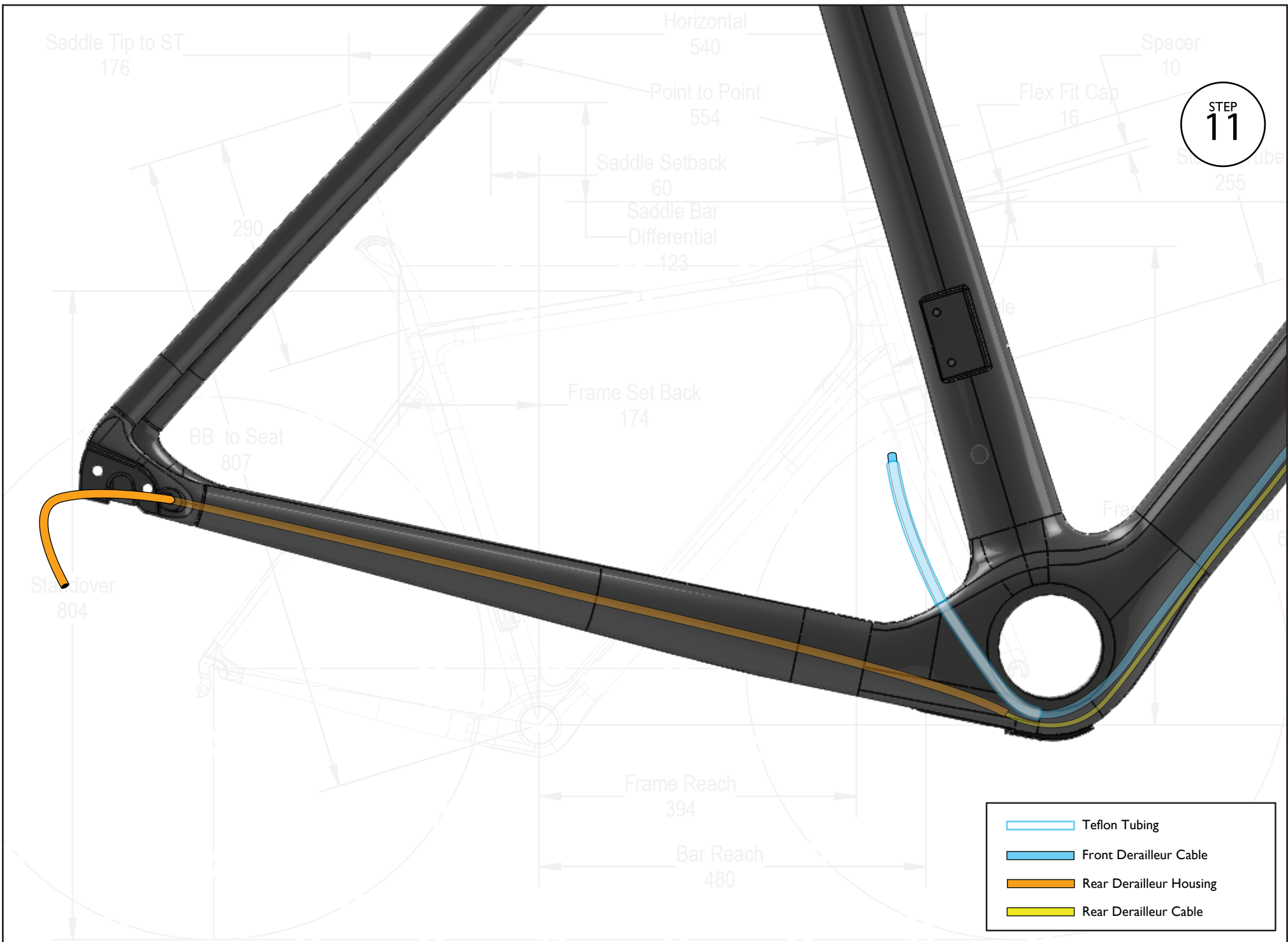
Saddle Tip to ST
176

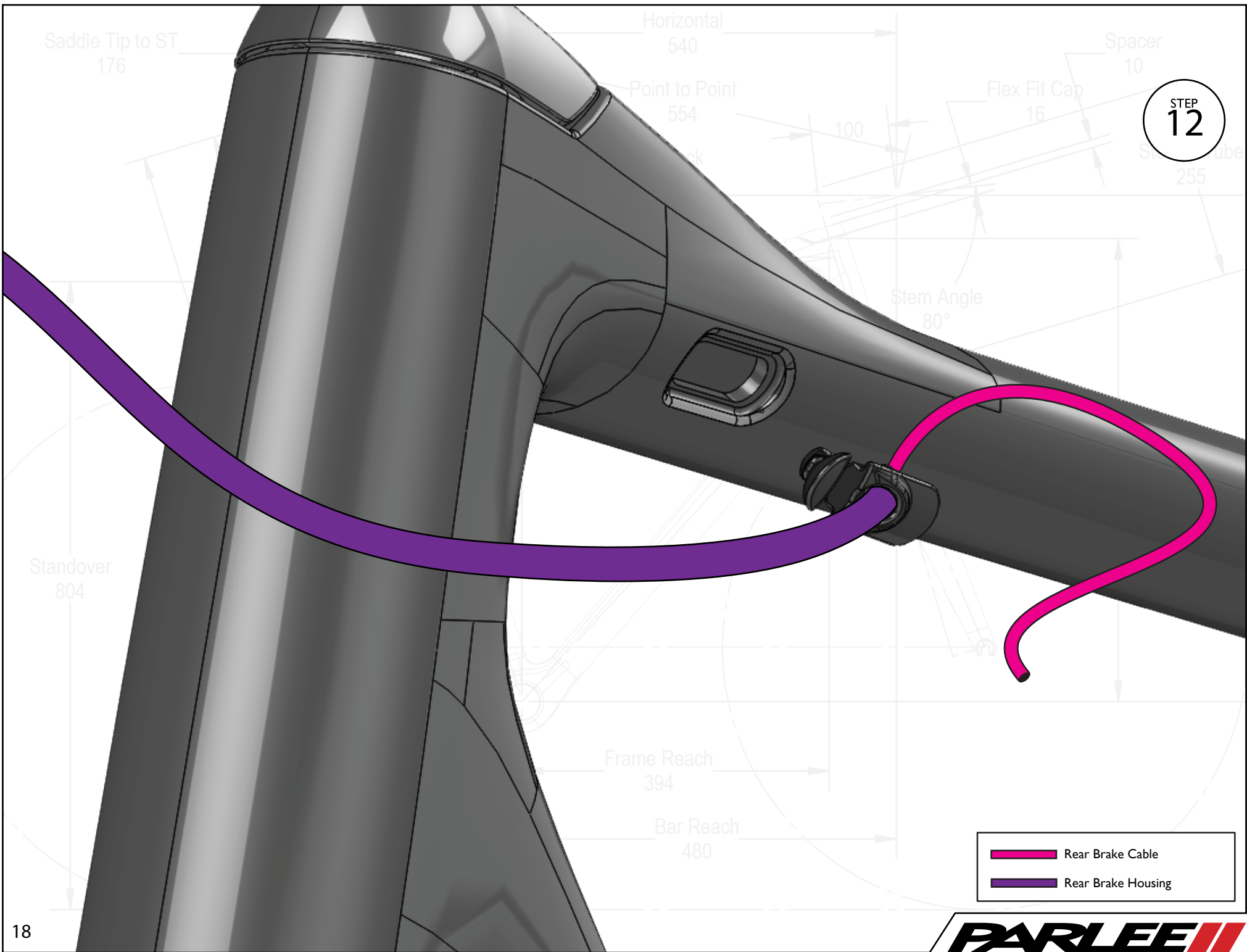
Standover
804

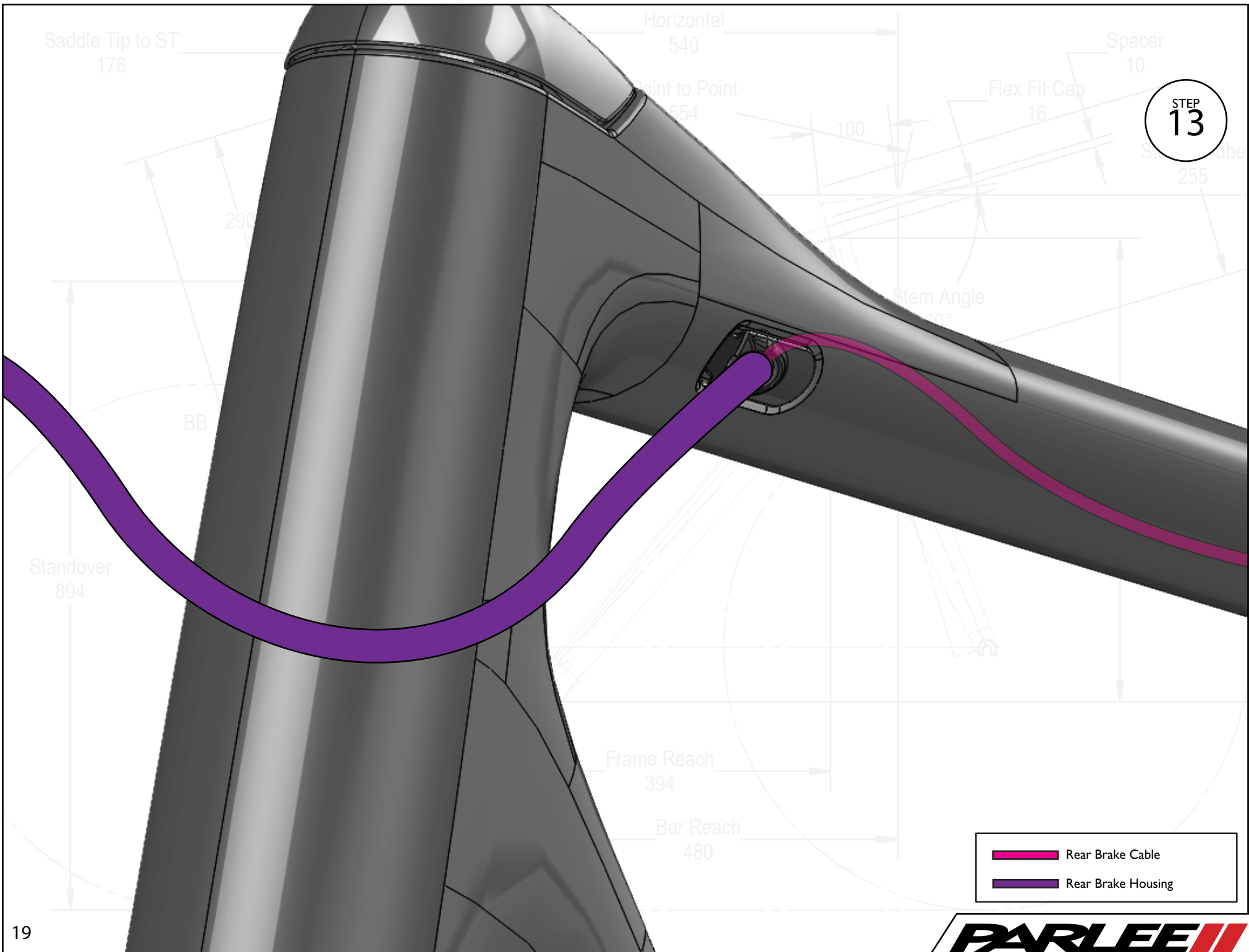
Frame Reach
394

Bar Reach
480

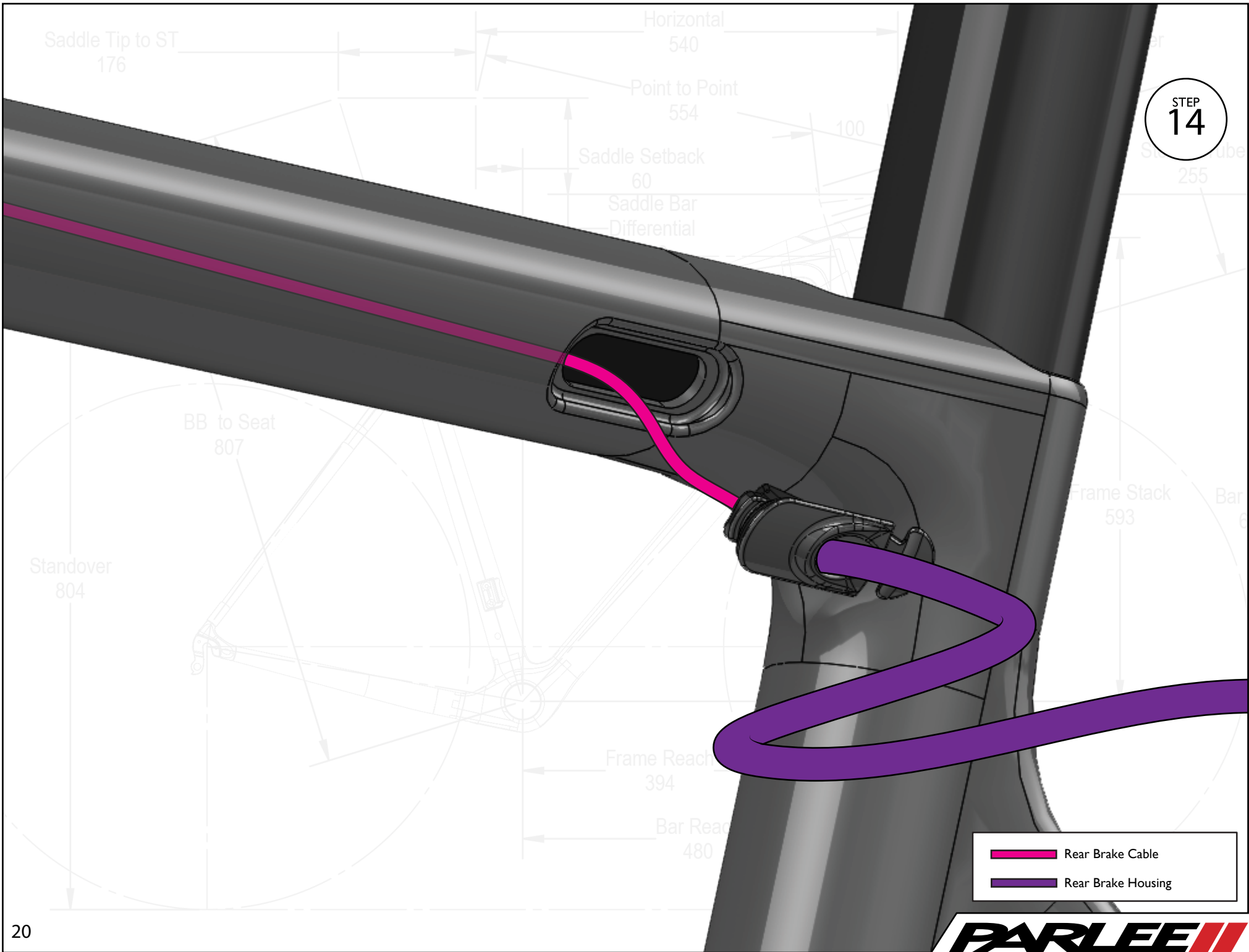
- Teflon Tubing
- Front Derailleur Cable
- Rear Derailleur Housing
- Rear Derailleur Cable

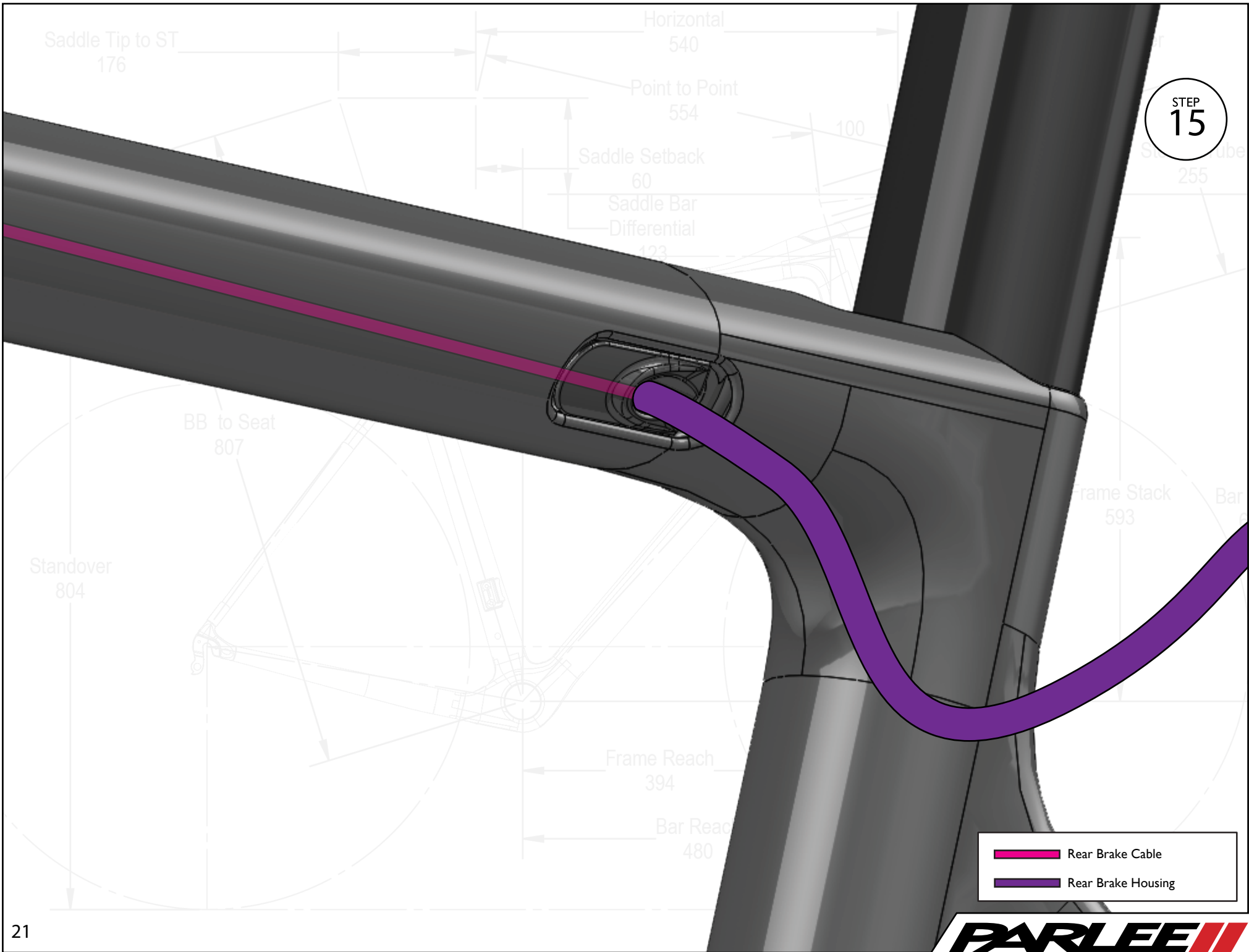








STEP
14



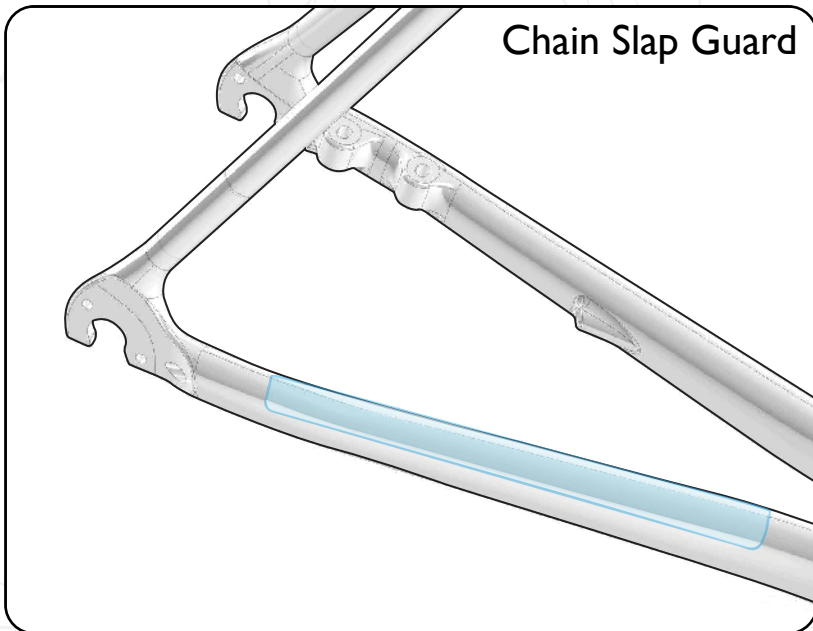
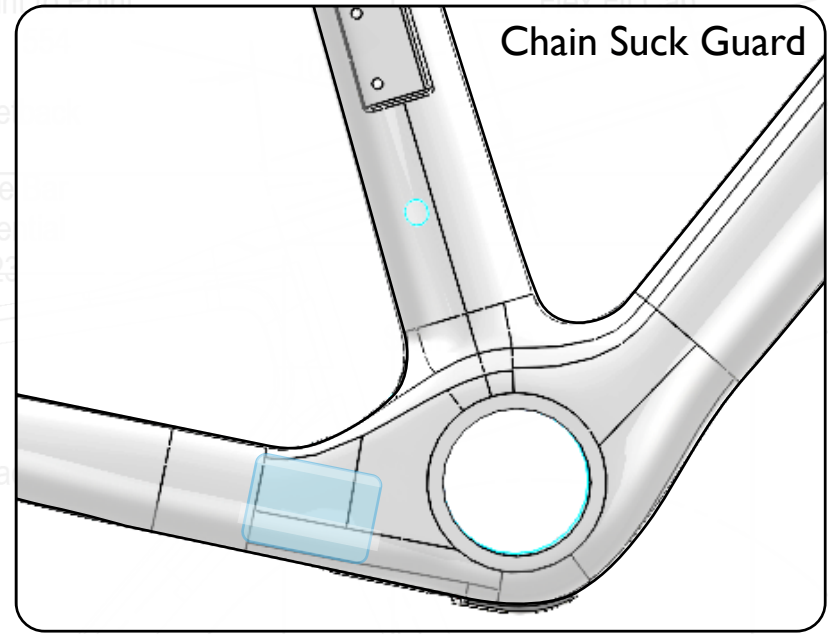
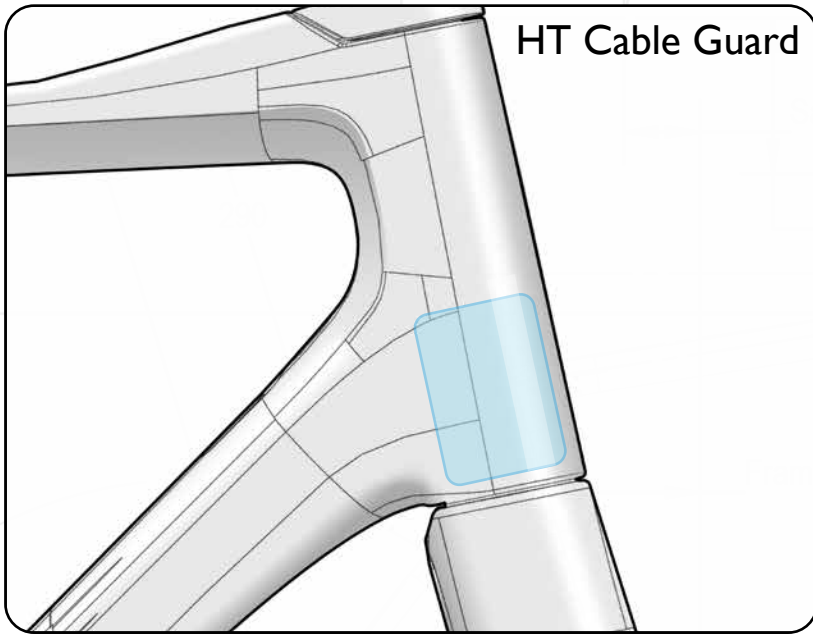


STEP
15

-  Rear Brake Cable
-  Rear Brake Housing



Frame Armor Installation



Clean Surface

Use de - natured alcohol and lint free to clean surface

Instructions

Apply pressure from center outward.
Use hair dryer to remove guards