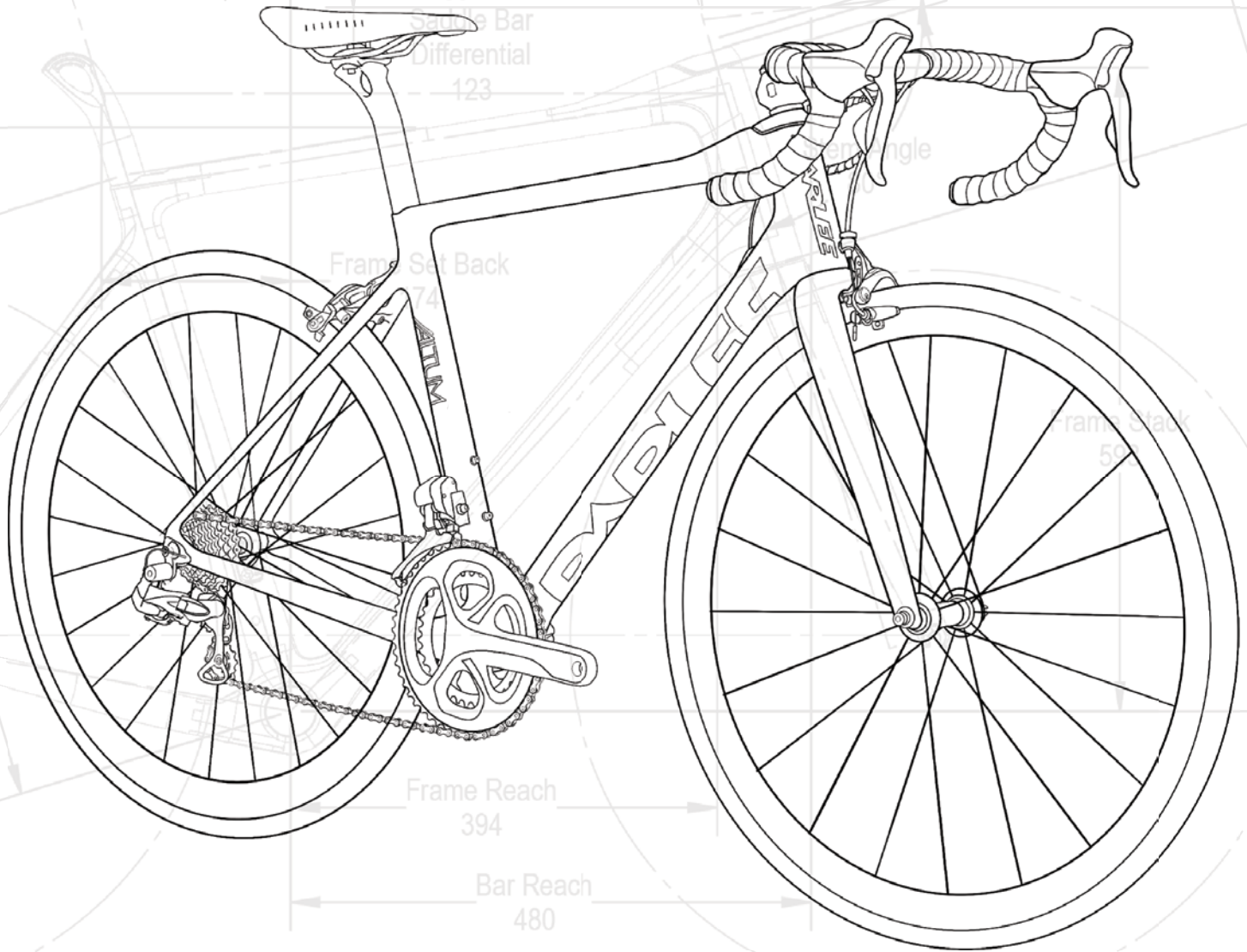


ALTUM

Electronic Drive train Cabling Guide



R1.0

PARLEE 

Saddle Tip to ST
176

Horizontal
540

Spacer
10

Congratulations on the purchase of your new PARLEE Altum!

The Altum is our most advanced model to date, delivering race ready performance with our signature PARLEE ride.

This manual contains important assembly and service information. All assembly and service of PARLEE bicycles must be carried out by an authorized PARLEE Dealer/Mechanic.

Note to PARLEE Dealers/Mechanics: We strongly advise that you read this manual in its entirety before assembly of the bicycle to familiarize yourself with the systems and proprietary procedures of its assembly.

If you have any questions contact PARLEE at:

Phone: 978.998.4880

Email: Info@parleecycles.com

Frame Reach
394

Bar Reach
480

Frame Stack
593

Table Of Contents

03 - Seat Post Installation

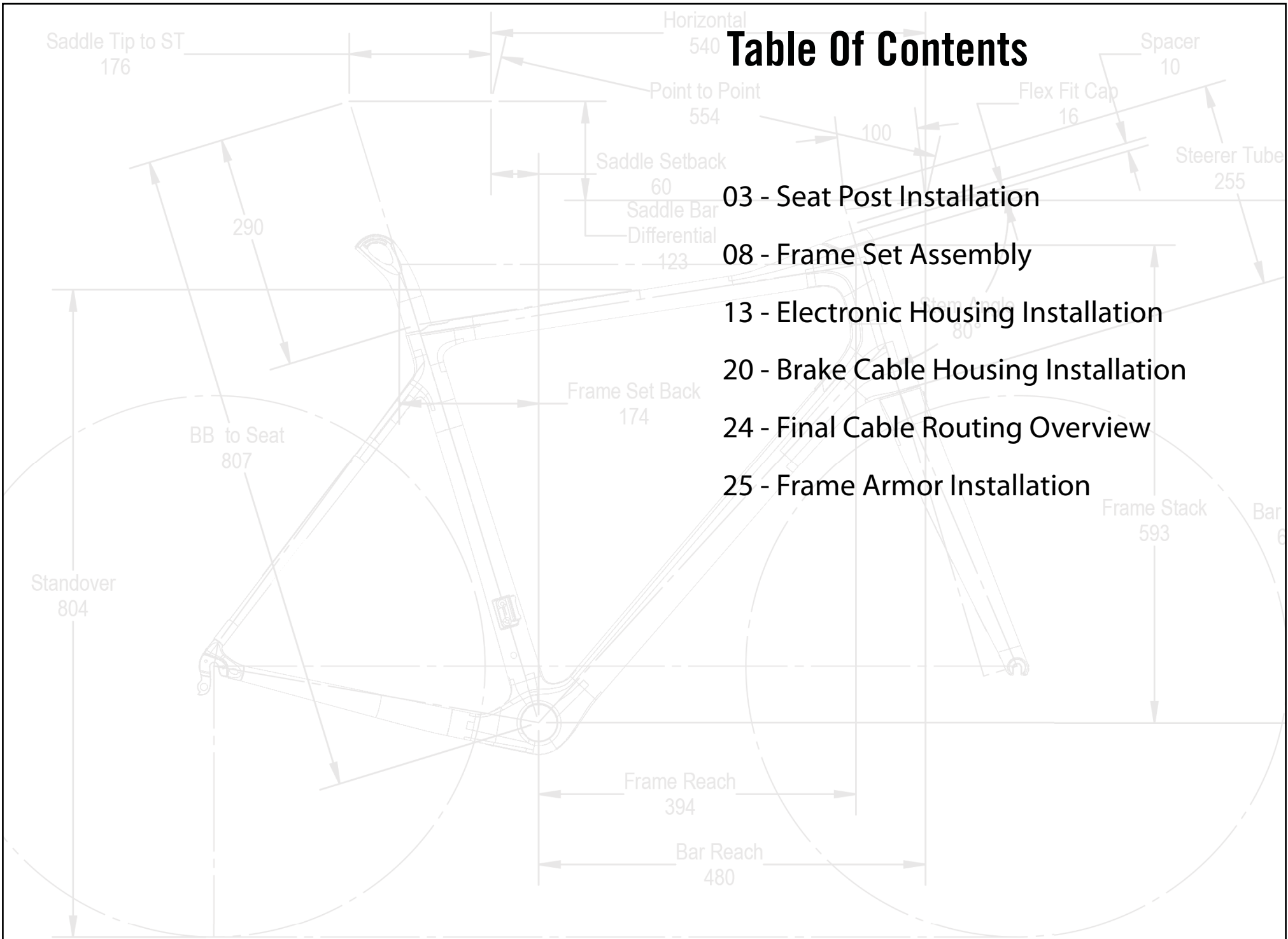
08 - Frame Set Assembly

13 - Electronic Housing Installation

20 - Brake Cable Housing Installation

24 - Final Cable Routing Overview

25 - Frame Armor Installation



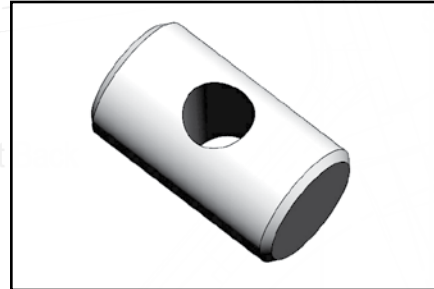
Saddle Tip to ST
176

Horizontal
540

Spacer
10



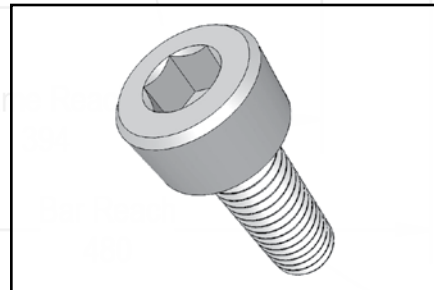
Altum Clamp Follower
x1



Seat Post Clamp Nut
x1



Altum Clamp Top
x1



M5 Wedge Clamp Bolt
x1

Seat Post Assembly

Standover
804

Frame Set
174

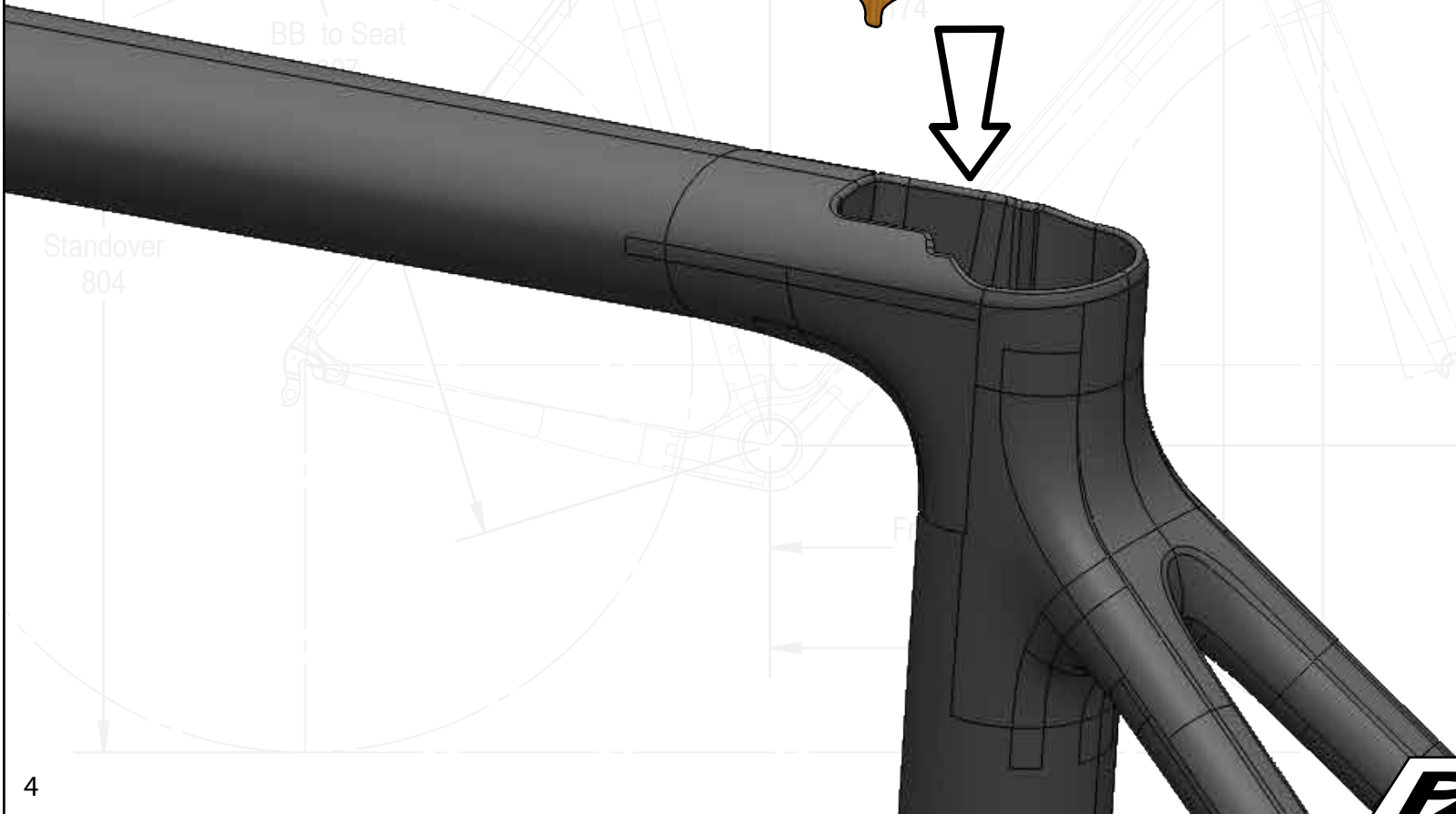
Frame

Red Loctite All Threaded Surfaces.

STEP
1

Torque to 5-8nm

Seat Post Clamp



STEP
2

Insert battery electronic wire into seat tube and guide towards the bottom bracket.

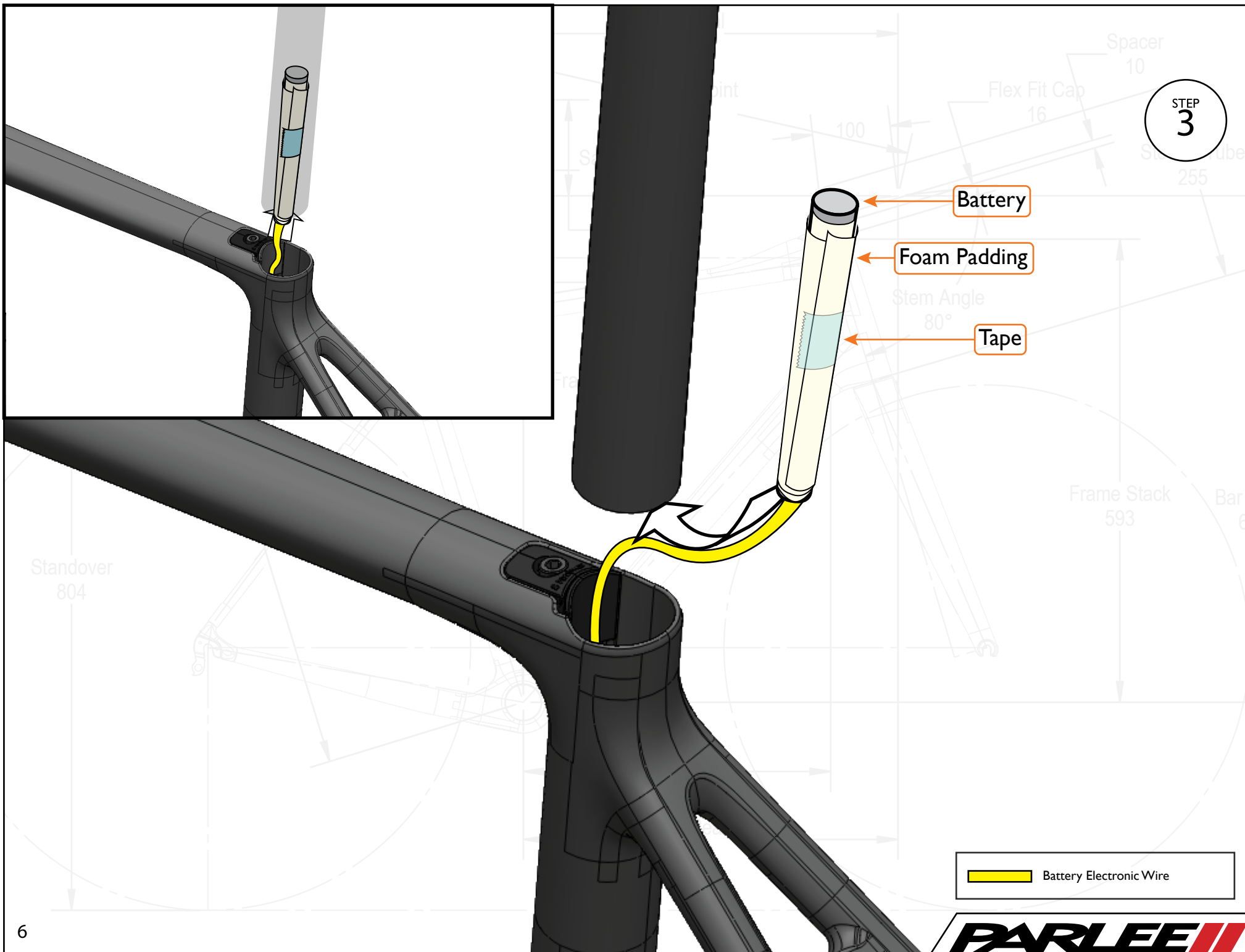
Battery

Tape

Foam Padding

 Battery Electronic Wire

STEP
3

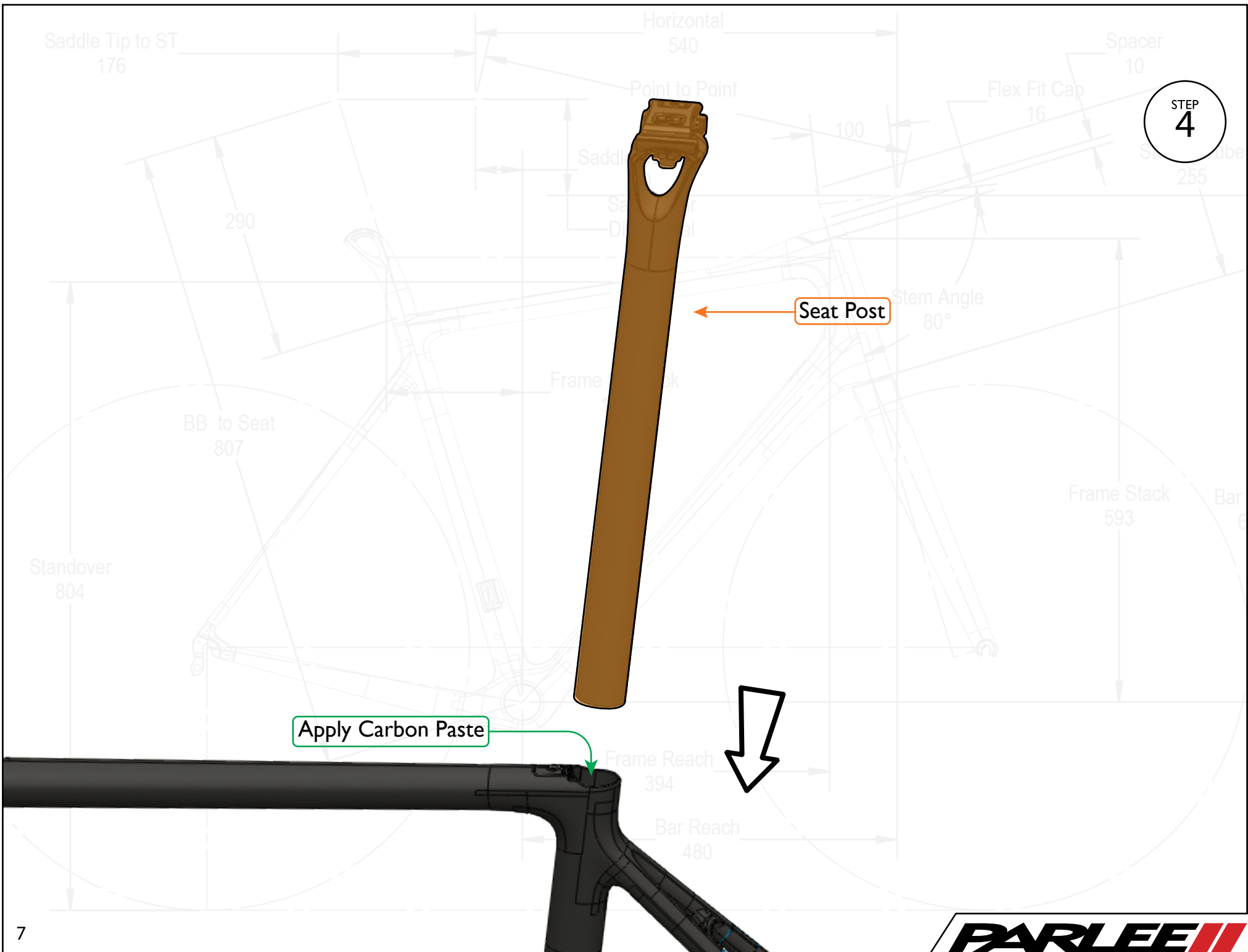


Battery

Foam Padding

Tape

 Battery Electronic Wire



STEP
4

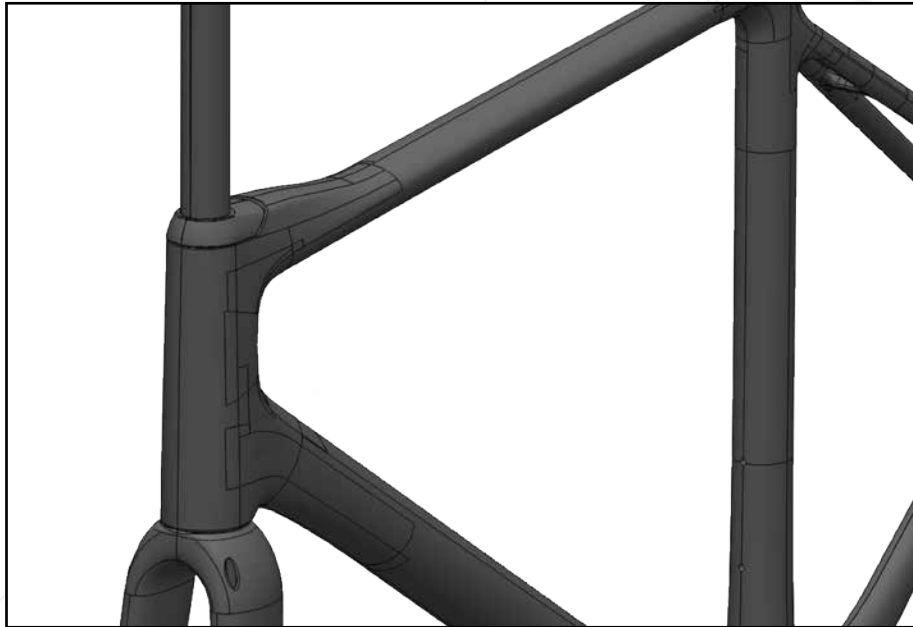
Seat Post

Apply Carbon Paste

Saddle Tip to ST
176

Horizontal
540

Spacer
10



Lower Bearing

x1



Upper Bearing

x1



Top Cap 15mm

x1

Frame Set Assembly

Standover
804



Bearing Seal

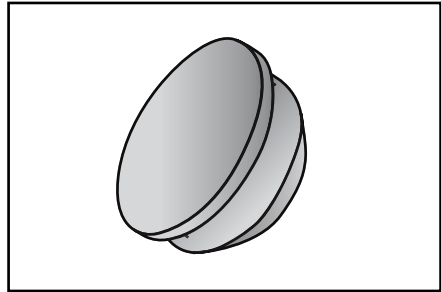
x1



Bearing Ring

x1

Saddle Tip to ST
176

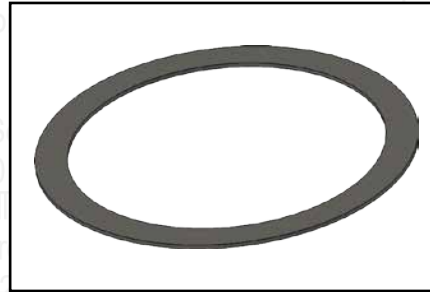


Blind Grommet

x1

For Mechanical Front Drive - train

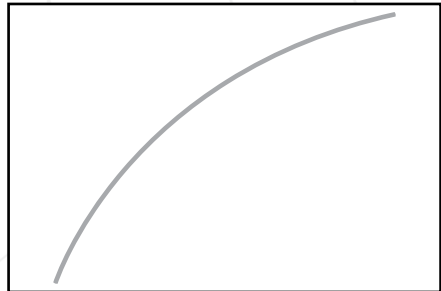
Horizontal
540



Steel Spacer

x2

Spacer
10



Teflon Tubing

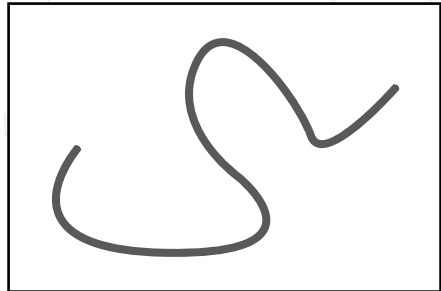
x1

For Mechanical Drive - train



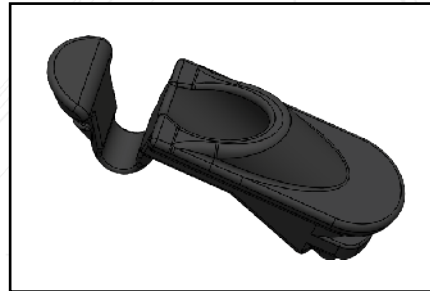
Electronic BB Hatch

For Electronic Drive - train



Foam Silencer Tubing

x1



Brake Housing Stop

x1



Rubber Seal

x1

Frame Reach
394

Bar Reach
480

Saddle Tip to ST
176

Horizontal
540

Spacer
10



BB Cable Guide

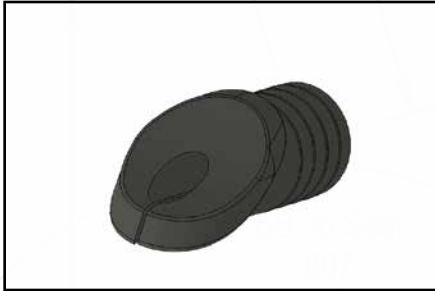
x1



Electronic DT Cable Stop

x1

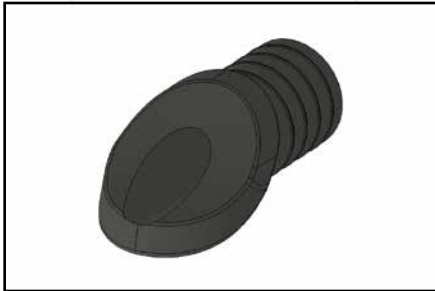
Electronic Drive - Trains Only



Electronic Rear Derailleur Grommet

x1

Electronic Drive - Trains Only



Mechanical Rear Derailleur Grommet

x1

Mechanical Drive - Trains Only



Mechanical DT Cable Stop

x1

Electronic Drive - Trains Only

Frame Set Back
174

Stem Angle
80°

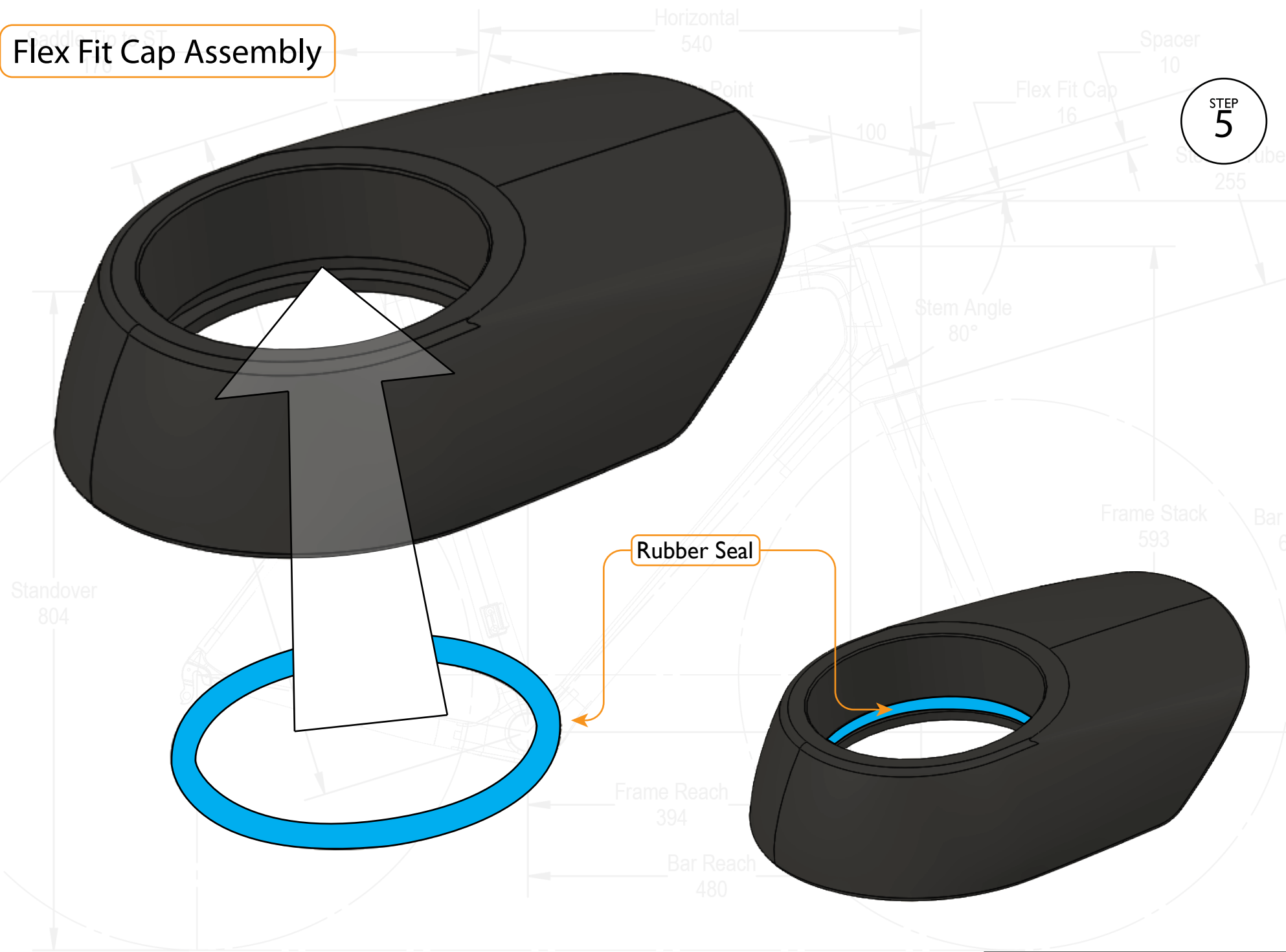
Frame Stack
593

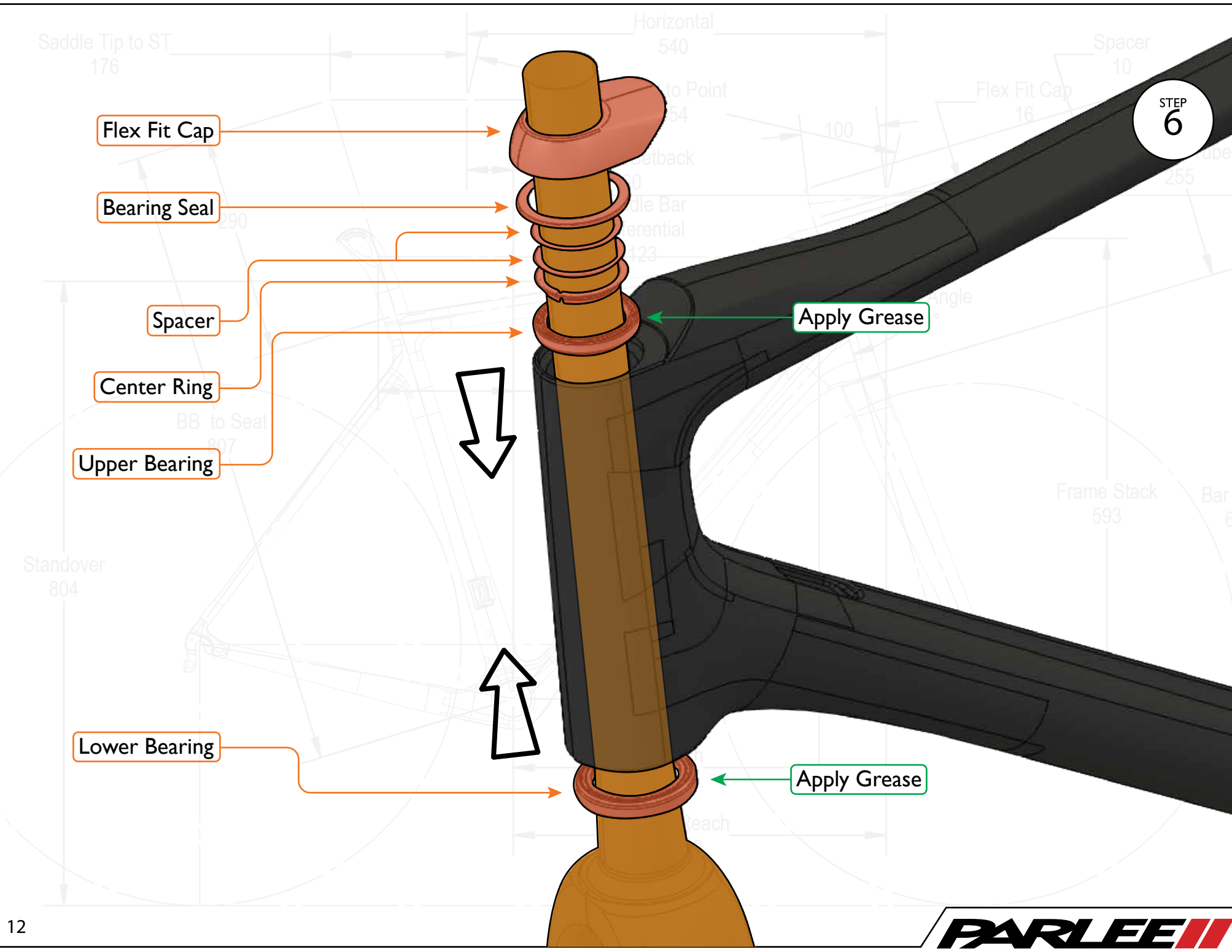
Frame Reach
394

Bar Reach
480

Flex Fit Cap Assembly

STEP
5





STEP
6

Flex Fit Cap

Bearing Seal

Spacer

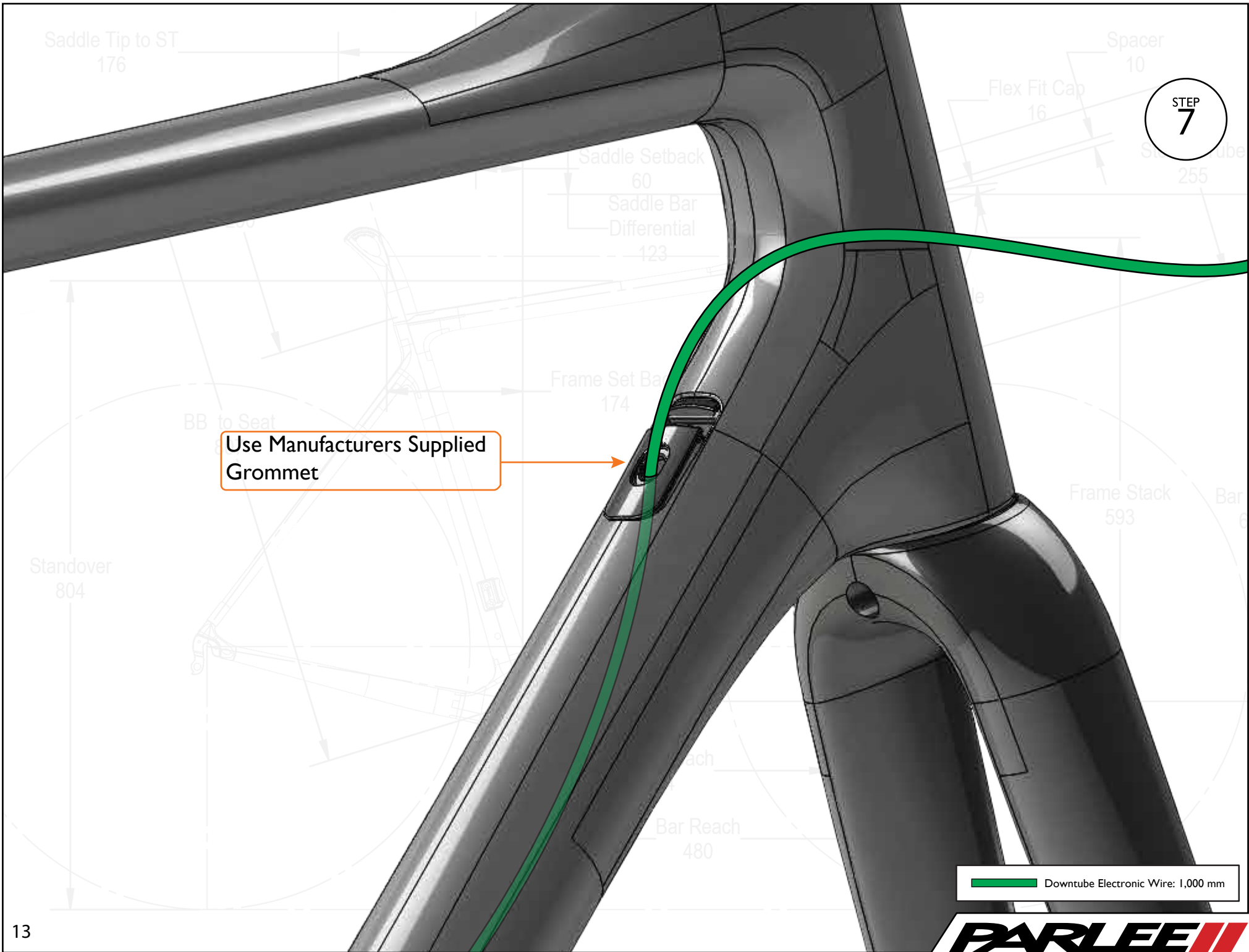
Center Ring

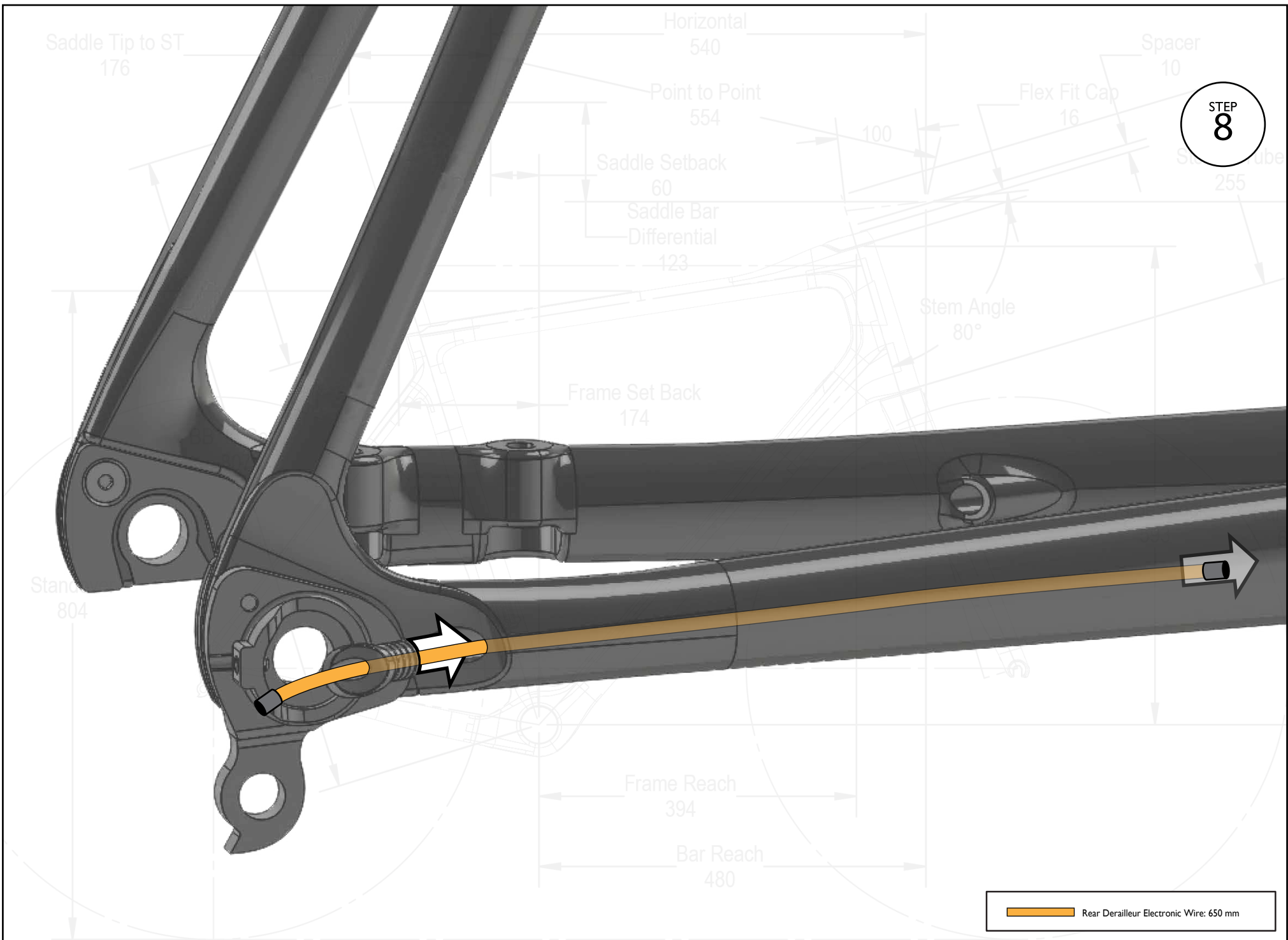
Upper Bearing

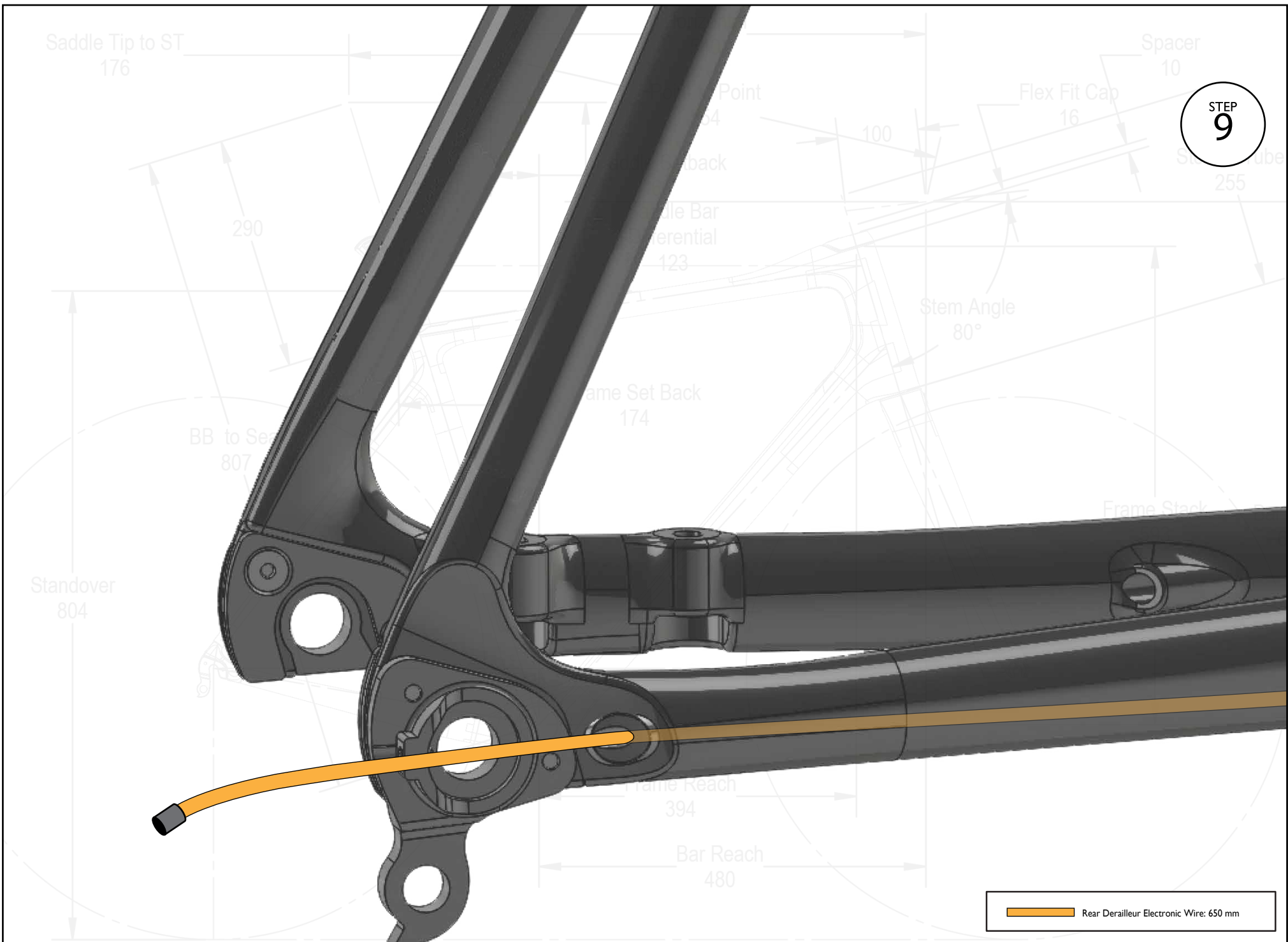
Lower Bearing

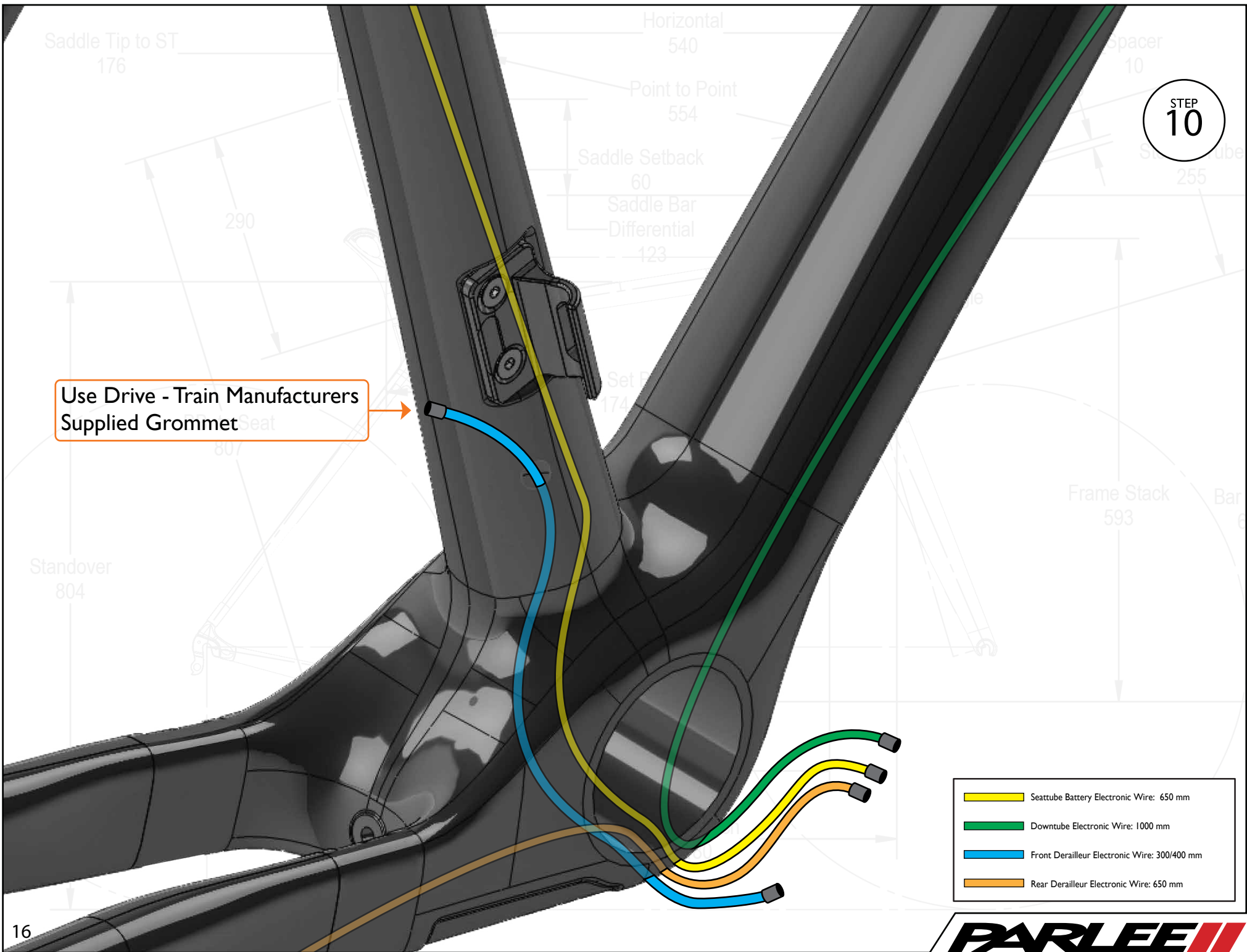
Apply Grease

Apply Grease









Saddle Tip to ST
176

Horizontal
540

Spacer
10

STEP
10

Point to Point
554

Saddle Setback
60

Saddle Bar
Differential
123

290

Use Drive - Train Manufacturers
Supplied Grommet

Seat
174

Frame Stack
593

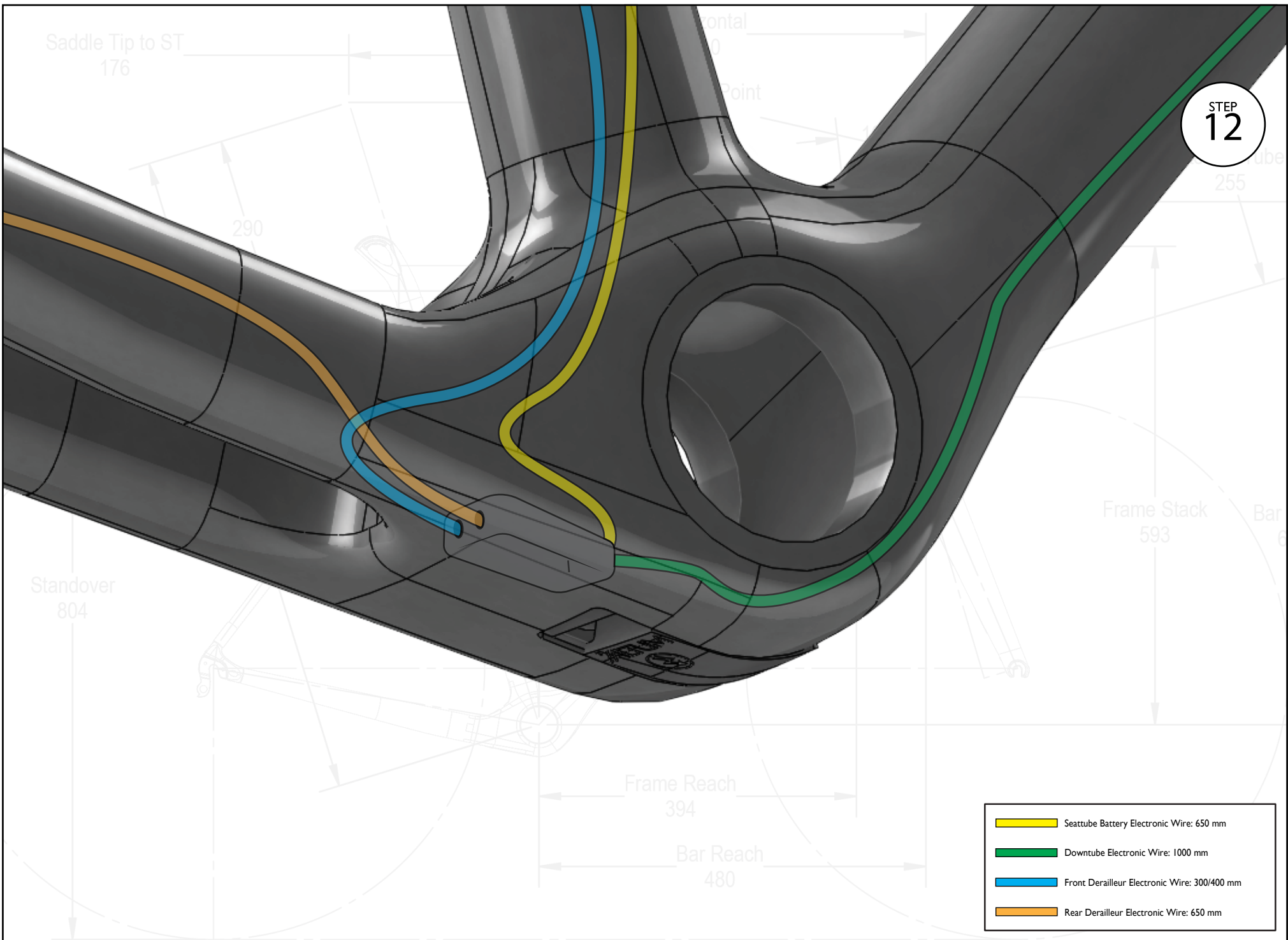
Standover
804

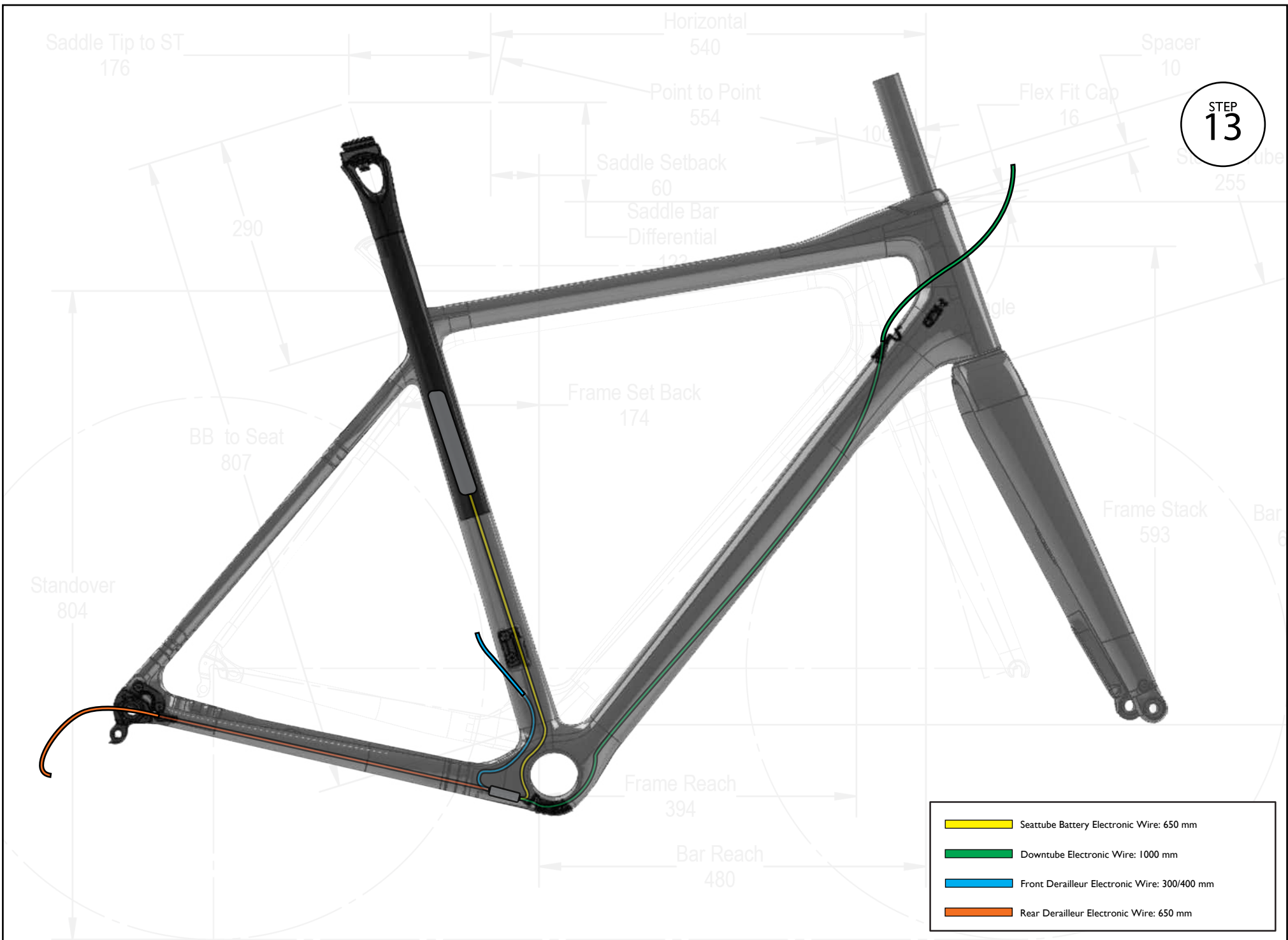
- Seattube Battery Electronic Wire: 650 mm
- Downtube Electronic Wire: 1000 mm
- Front Derailleur Electronic Wire: 300/400 mm
- Rear Derailleur Electronic Wire: 650 mm

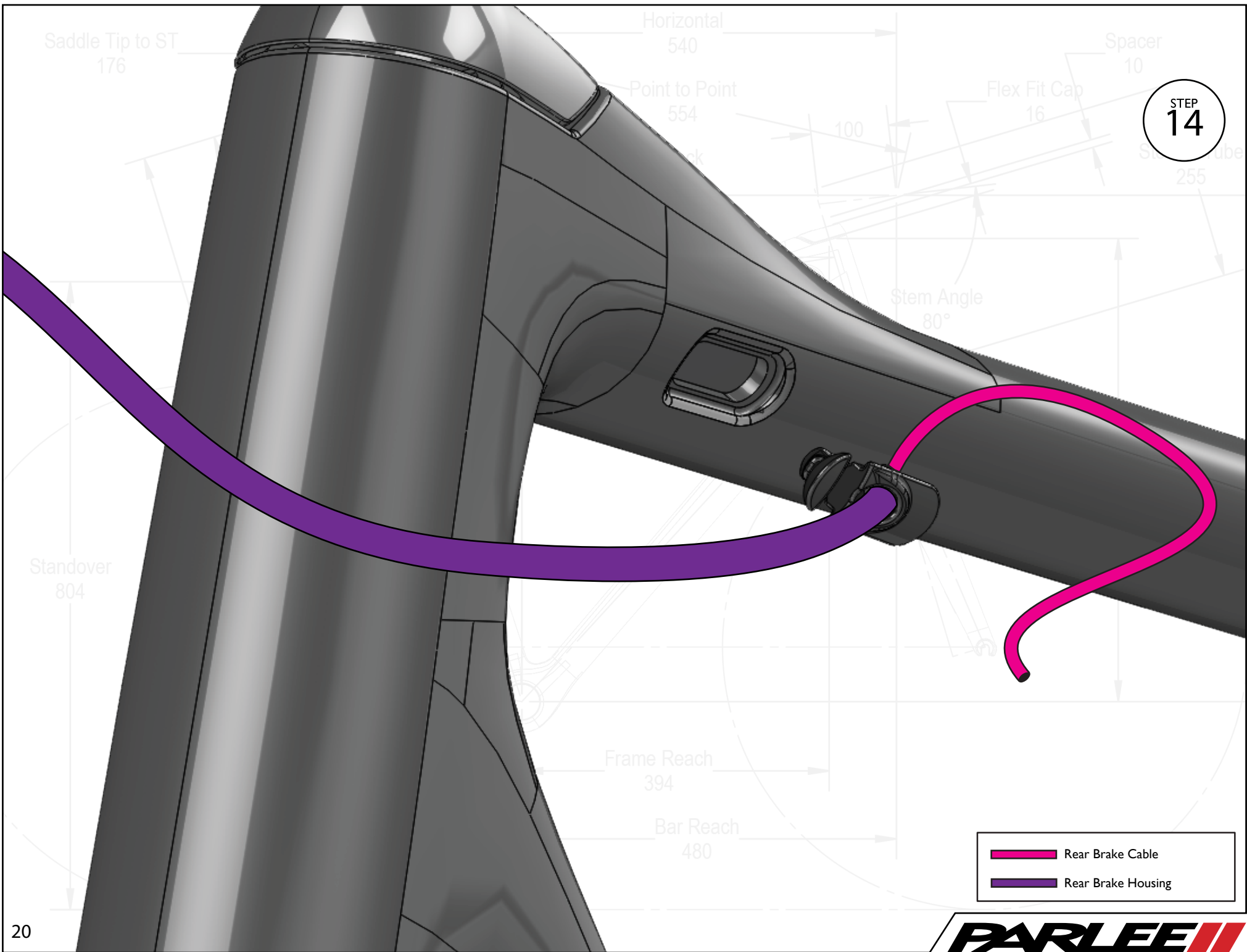
STEP
11

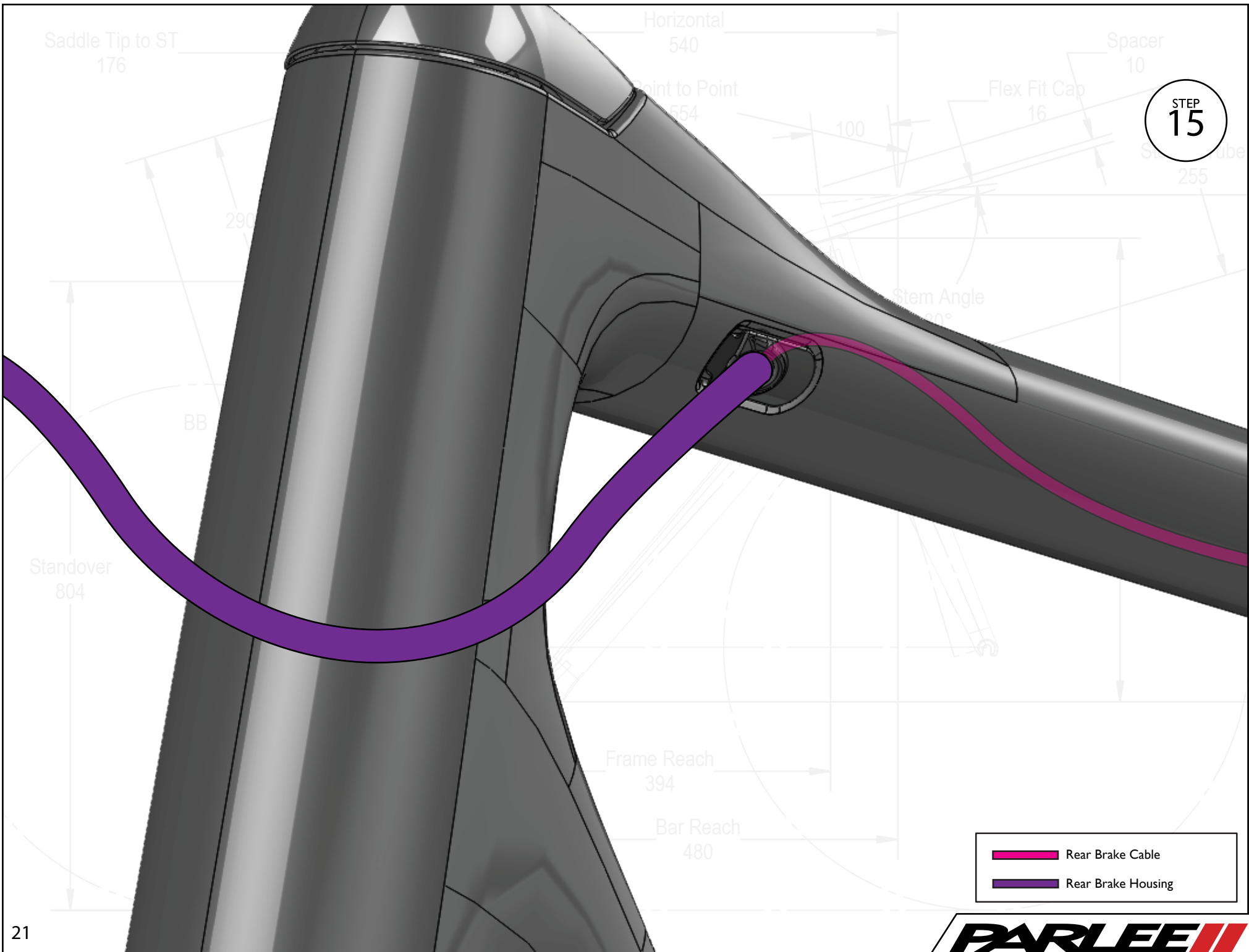
Wrap the electronic junction box in foam and insert into bottom bracket.

- Seattube Battery Electronic Wire: 650 mm
- Downtube Electronic Wire: 1000 mm
- Front Derailleur Electronic Wire: 300/400 mm
- Rear Derailleur Electronic Wire: 650 mm

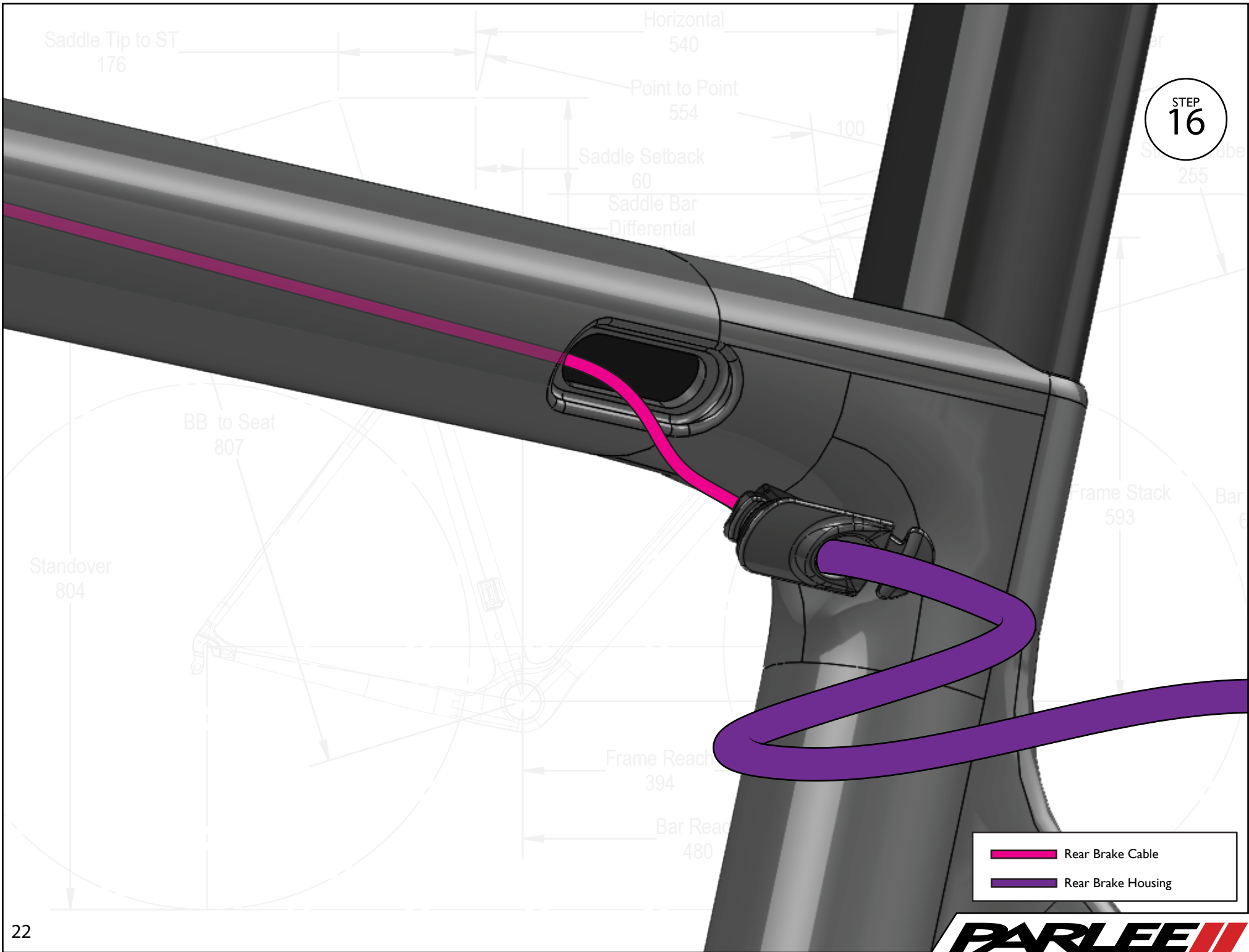


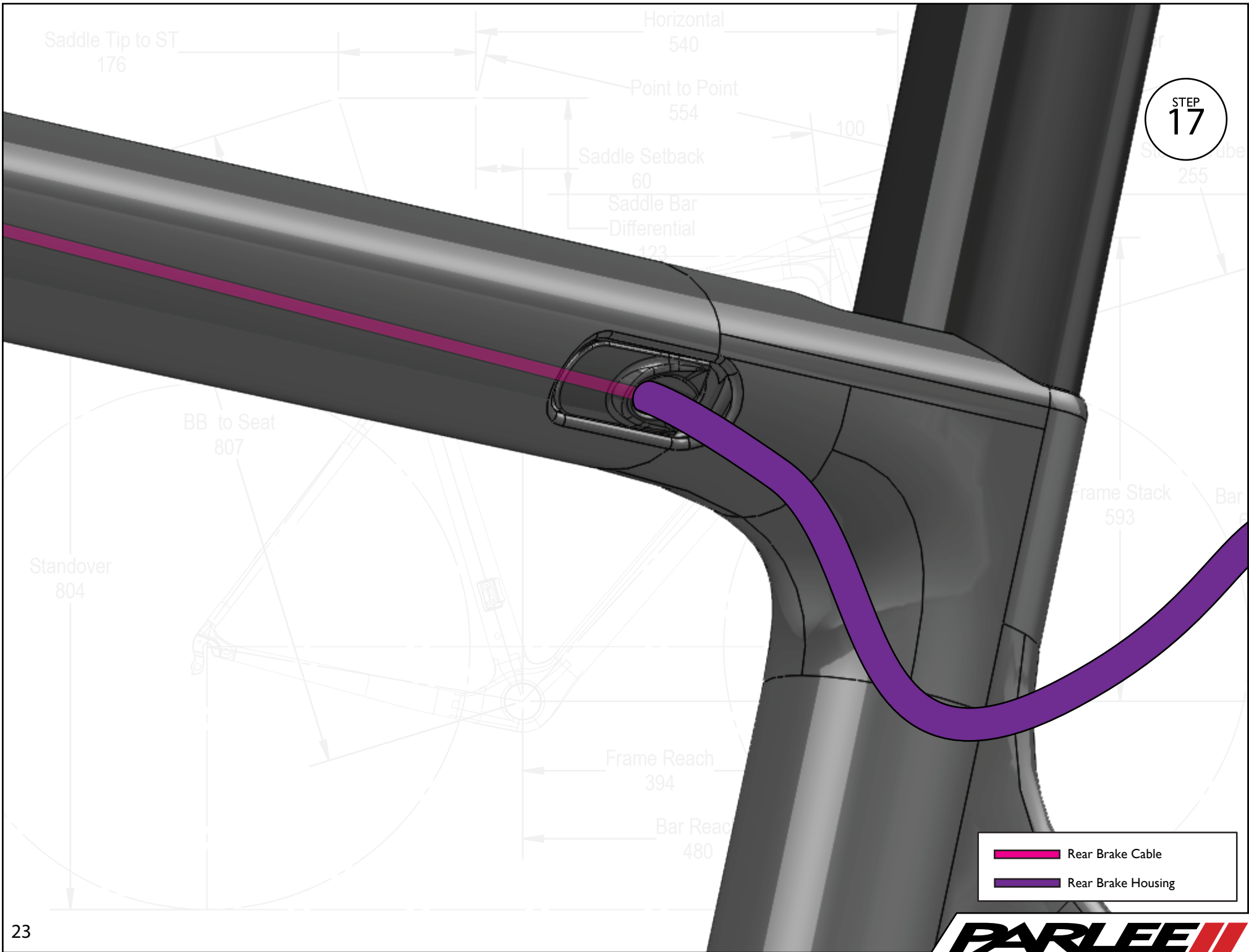






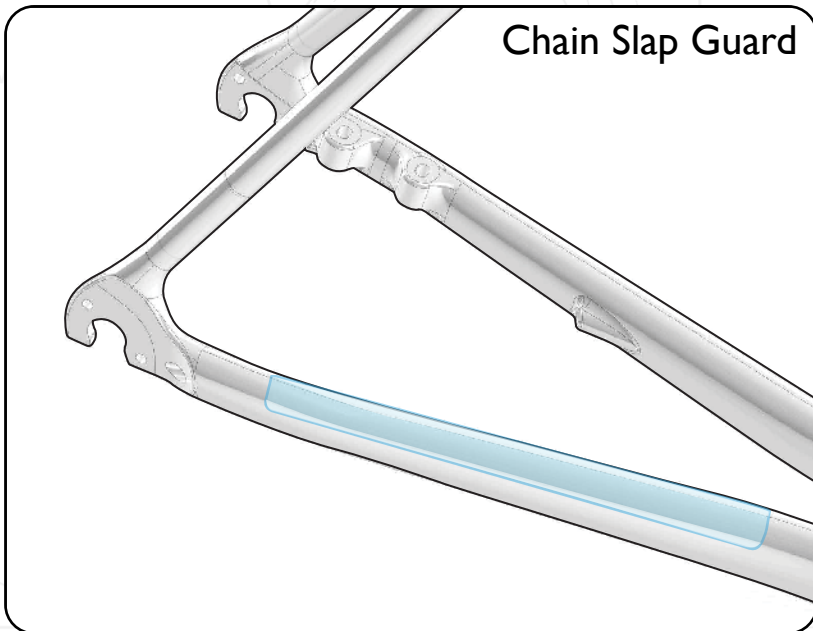
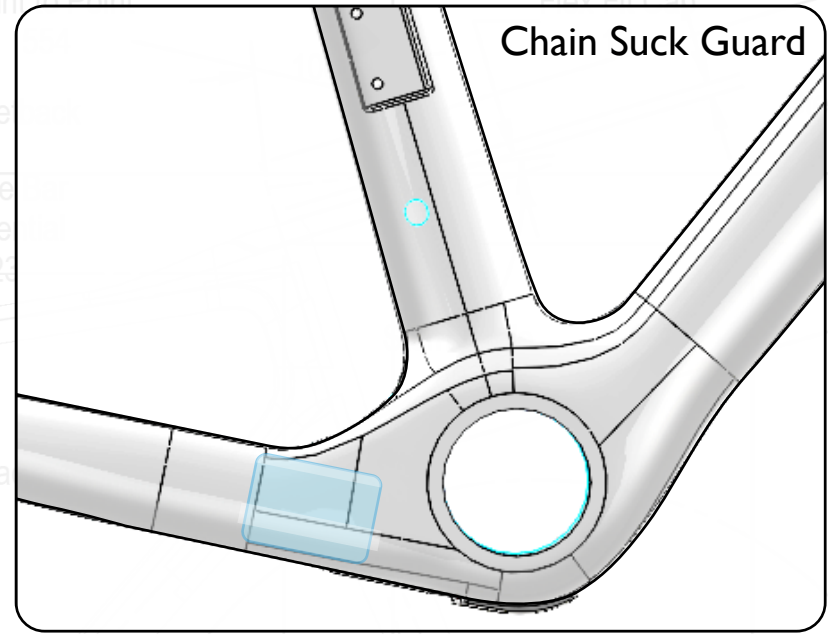
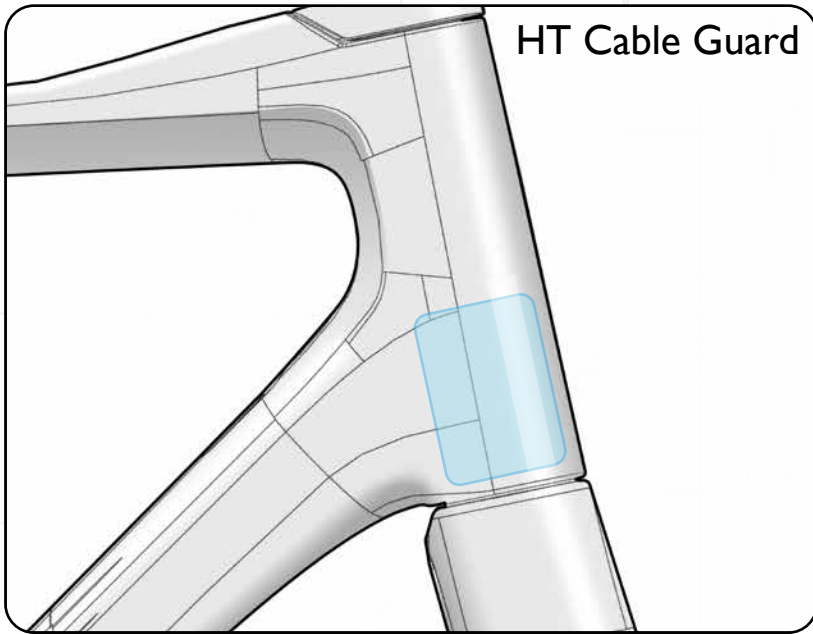
STEP
16







Frame Armor Installation



Clean Surface

Use de - natured alcohol and lint free to clean surface

Instructions

Apply pressure from center outward.
Use hair dryer to remove guards