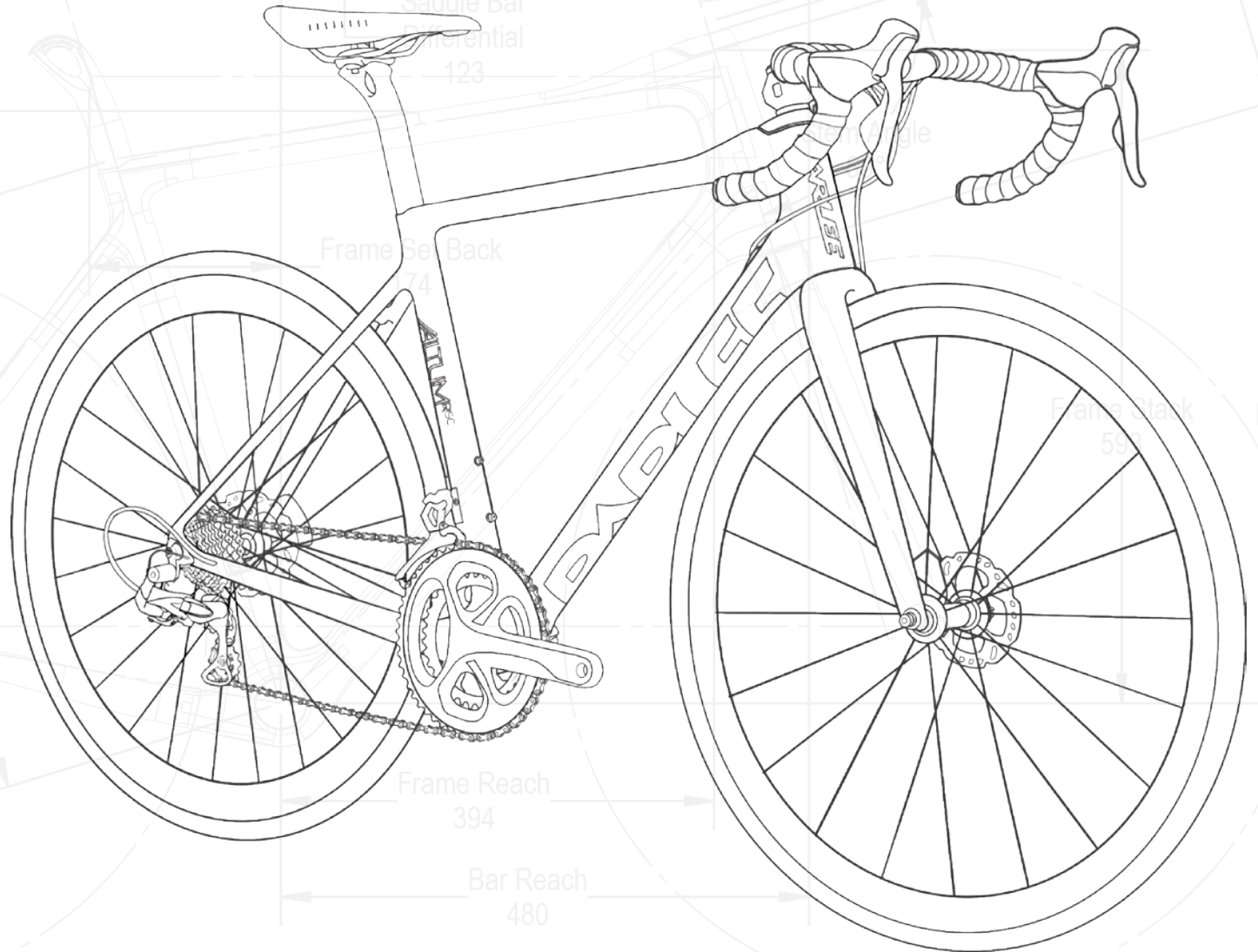


# ALTUM DISC

## Mechanical Drivetrain Cabling Guide



R1.0

**PARLEE**

Saddle Tip to ST  
176

Horizontal  
540

Spacer  
10

Congratulations on the purchase of your new PARLEE Altum!

The Altum is our most advanced model to date, delivering race ready performance with our signature PARLEE ride.

This manual contains important assembly and service information. All assembly and service of PARLEE bicycles must be carried out by an authorized PARLEE Dealer/Mechanic.

**Note to PARLEE Dealers/Mechanics:** We strongly advise that you read this manual in its entirety before assembly of the bicycle to familiarize yourself with the systems and proprietary procedures of its assembly.

If you have any questions contact PARLEE at:

Phone: 978.998.4880

Email: [Info@parleecycles.com](mailto:Info@parleecycles.com)

Frame Reach  
394

Bar Reach  
480

Frame Stack  
593

Flex Fit Cap  
16

Steerer Tube  
255

Saddle Setback  
30

Saddle Bar  
Differential  
123

100

290

807

Standover

Saddle Tip to ST  
176

# Table Of Contents

03 - Seat Post Installation

06 - Frame Set Assembly

09 - Brake Cable Housing Installation

16 - Fork Installation

18 - Mechanical Housing Installation

24 - Final Cable Routing Overview

25 - Frame Armor Installation

Horizontal  
540

Point to Point  
554

Saddle Setback  
60

Saddle Bar  
Differential  
123

Frame Set Back  
174

Frame Reach  
394

Bar Reach  
480

Spacer  
10

Flex Fit Cap  
16

Steerer Tube  
255

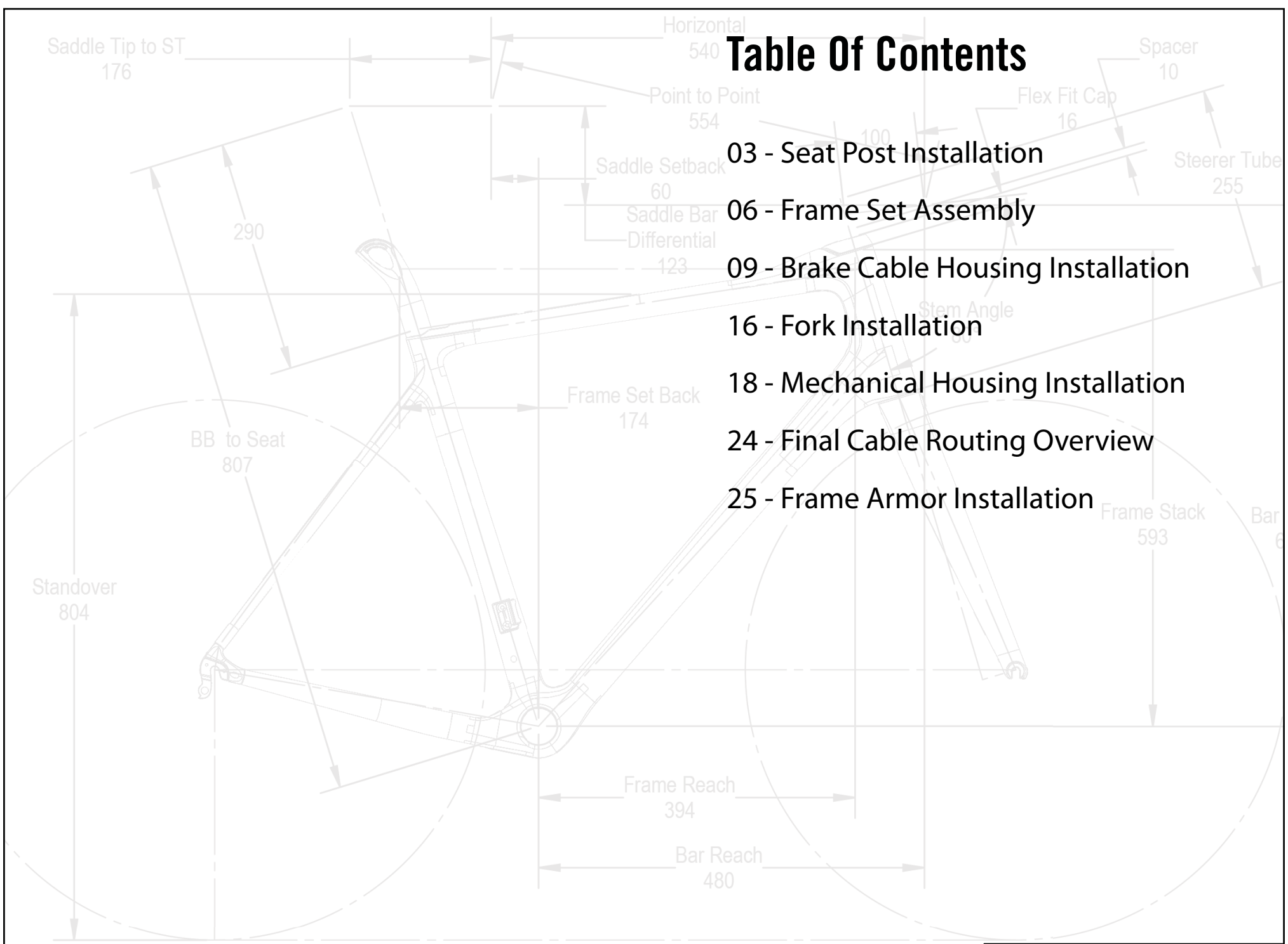
Stem Angle  
90

Frame Stack  
593

290

BB to Seat  
807

Standover  
804



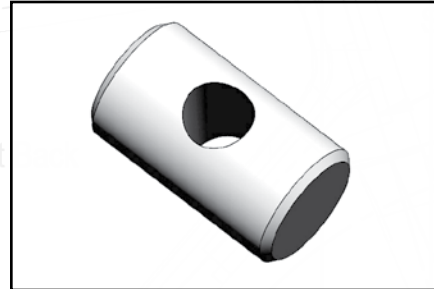
Saddle Tip to ST  
176

Horizontal  
540

Spacer  
10



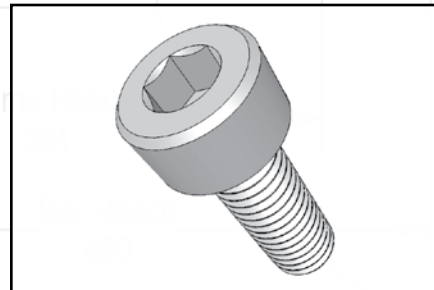
Altum Clamp Follower  
x1



Seat Post Clamp Nut  
x1



Altum Clamp Top  
x1



M5 Wedge Clamp Bolt  
x1

## Seat Post Assembly

Standover  
804

Frame Set  
174

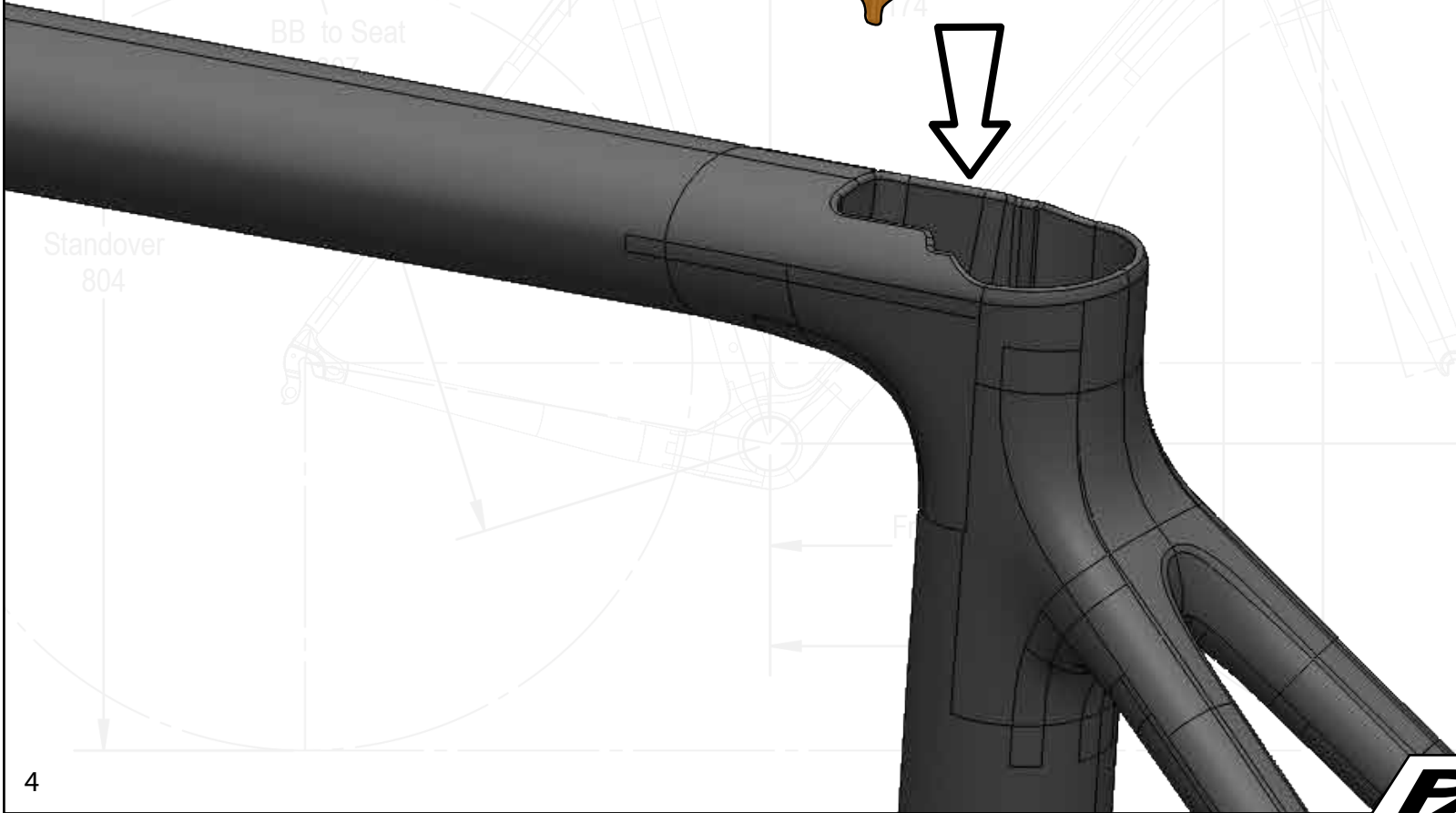
Frame

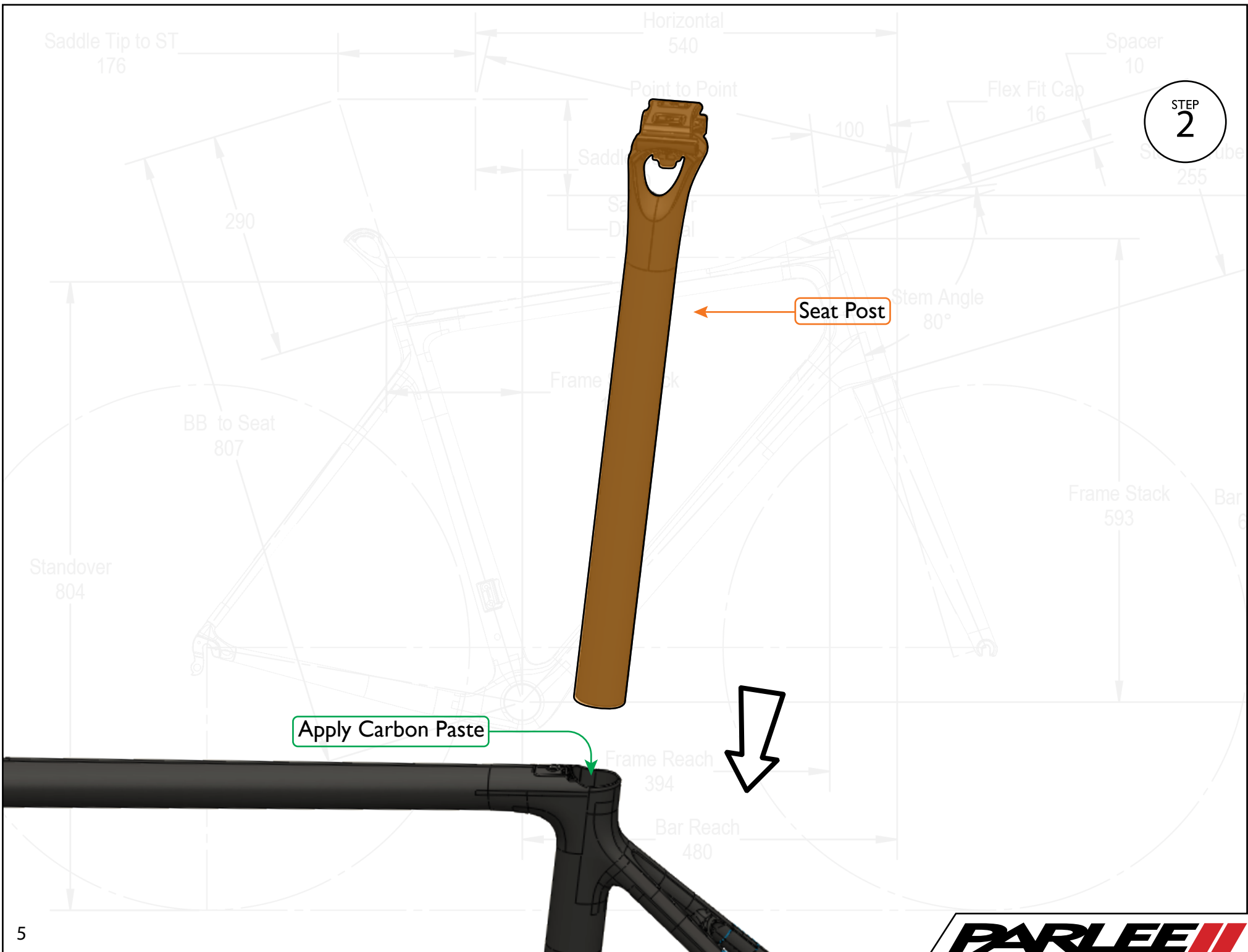
**Red Loctite All Threaded Surfaces.**

STEP  
**1**

Torque to 5-8nm

Seat Post Clamp

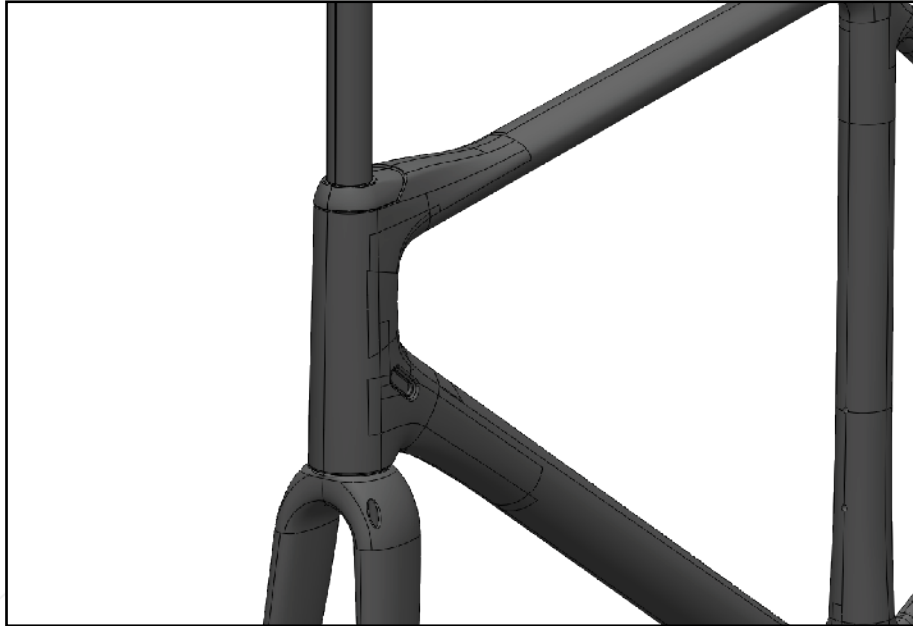




Saddle Tip to ST  
176

Horizontal  
540

Spacer  
10



Lower Bearing  
x1



Upper Bearing  
x1

## Frame Set Assembly



Top Cap 15mm  
x1

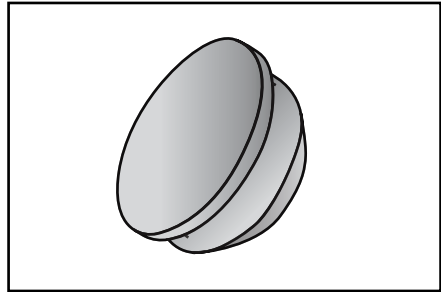


Bearing Seal  
x1



Bearing Ring  
x1

Saddle Tip to ST  
176

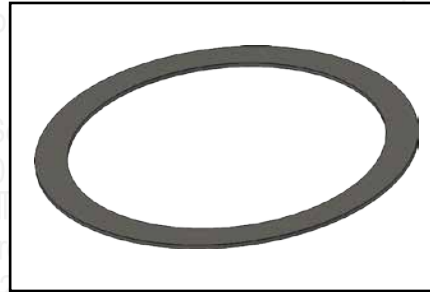


**Blind Grommet**

**x1**

For Mechanical Front Drive - train

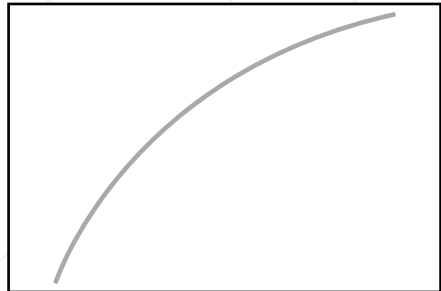
Horizontal  
540



**Steel Spacer**

**x2**

Spacer  
10



**Teflon Tubing**

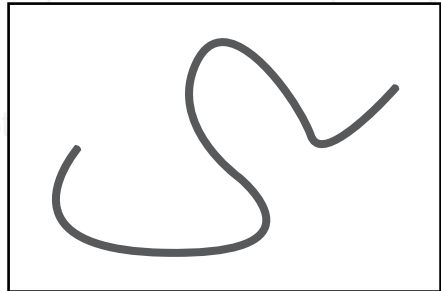
**x1**

For Mechanical Drive - train



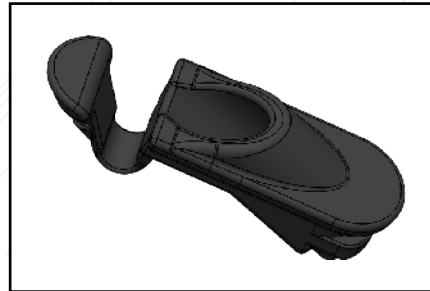
**Electronic BB Hatch**

For Electronic Drive - train



**Foam Silencer Tubing**

**x1**



**Brake Housing Stop**

**x1**



**Rubber Seal**

**x1**

Frame Reach  
394

Bar Reach  
480



Saddle Tip to ST  
176

Horizontal  
540

Spacer  
10



BB Cable Guide

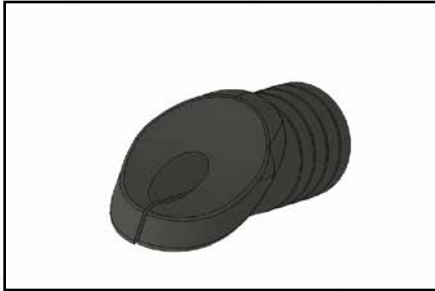
x1



Electronic DT Cable Stop

x1

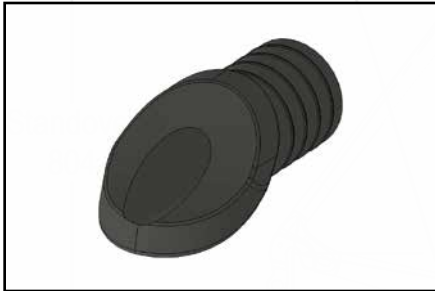
Electronic Drive - Trains Only



Electronic Rear Derailleur Grommet

x1

Electronic Drive - Trains Only



Mechanical Rear Derailleur Grommet

x1

Mechanical Drive - Trains Only



Mechanical DT Cable Stop

x1

Electronic Drive - Trains Only

Saddle S  
60  
Sadd  
Diffe  
125

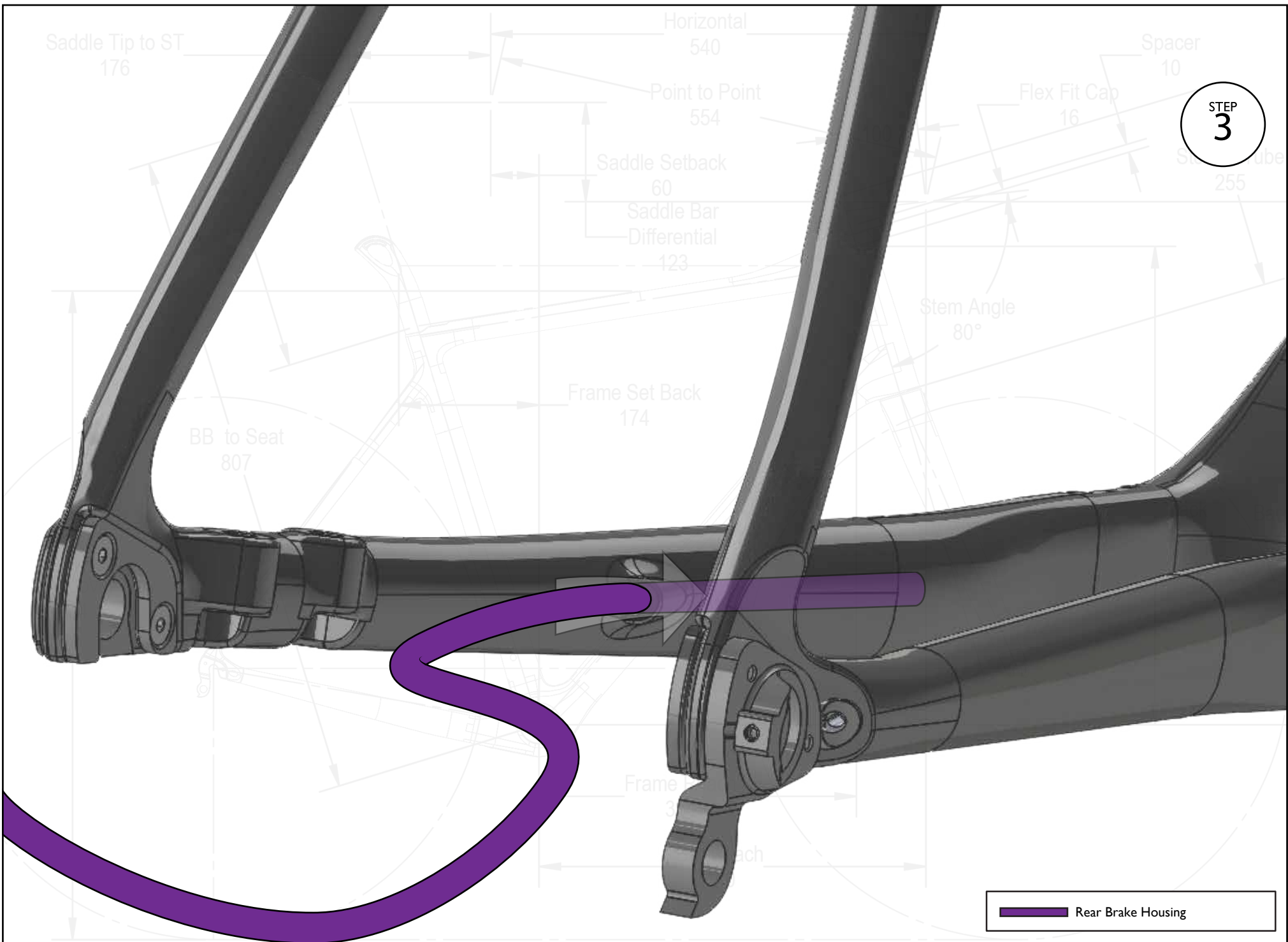
Frame Set Back  
174

Stem Angle  
80°

Frame Stack  
593

Frame Reach  
394

Bar Reach  
480



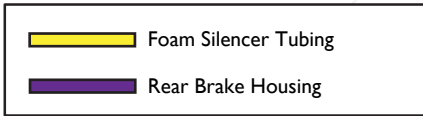
— Rear Brake Housing



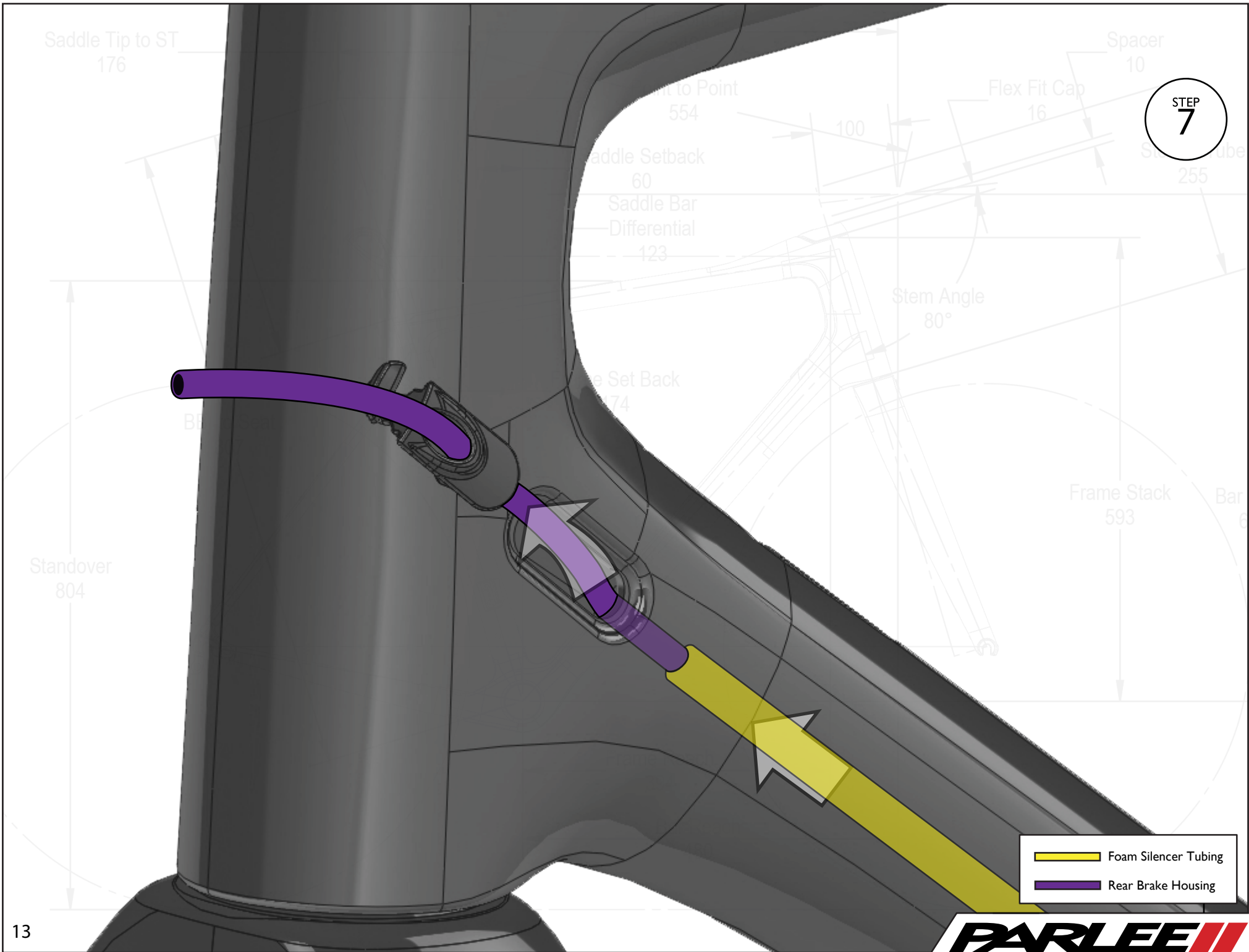
STEP  
**5**

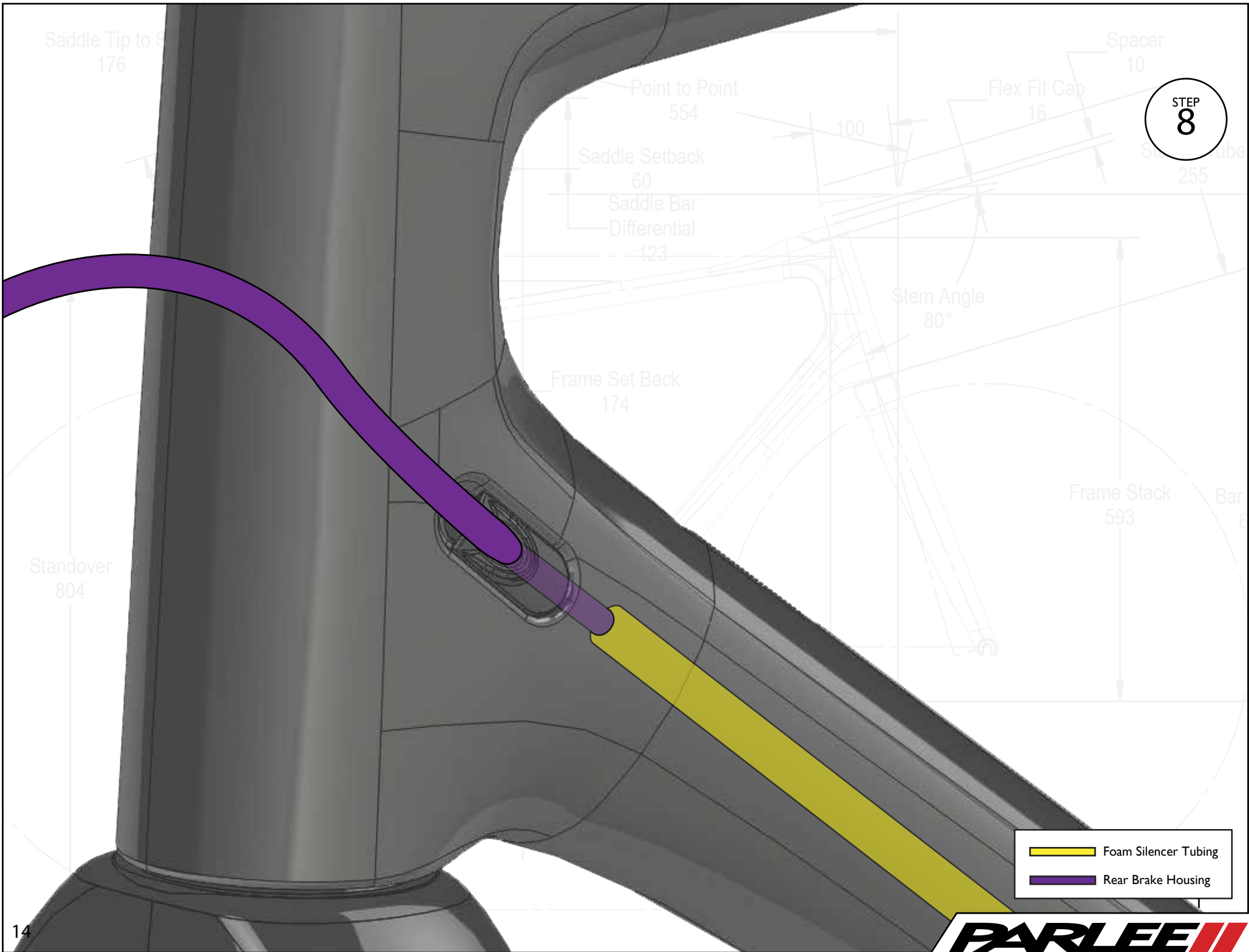
Foam Silencer Tubing

Sleeve foam silencer tubing over brake housing.  
(use a small amount of lubricant to aid installation)







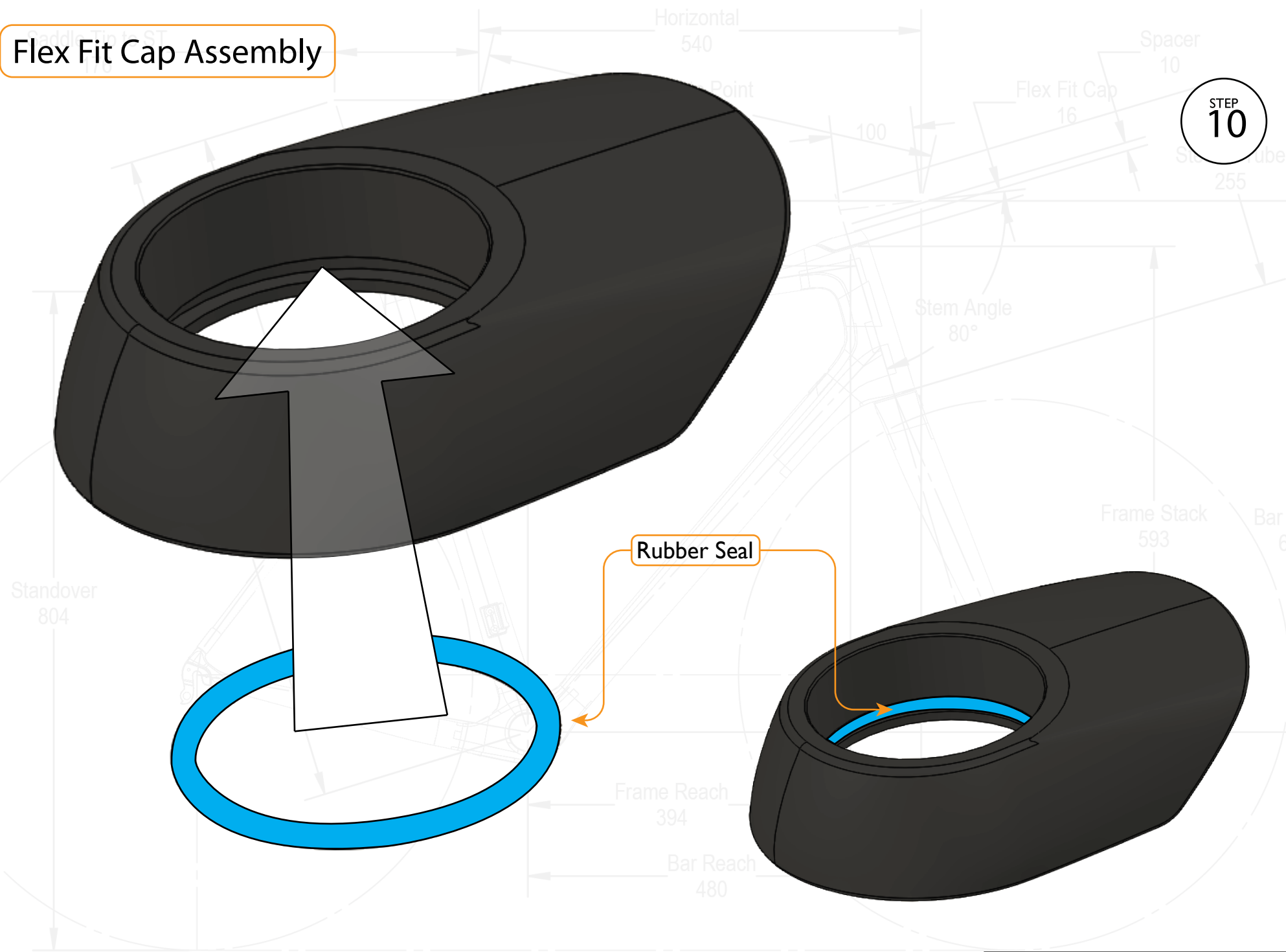


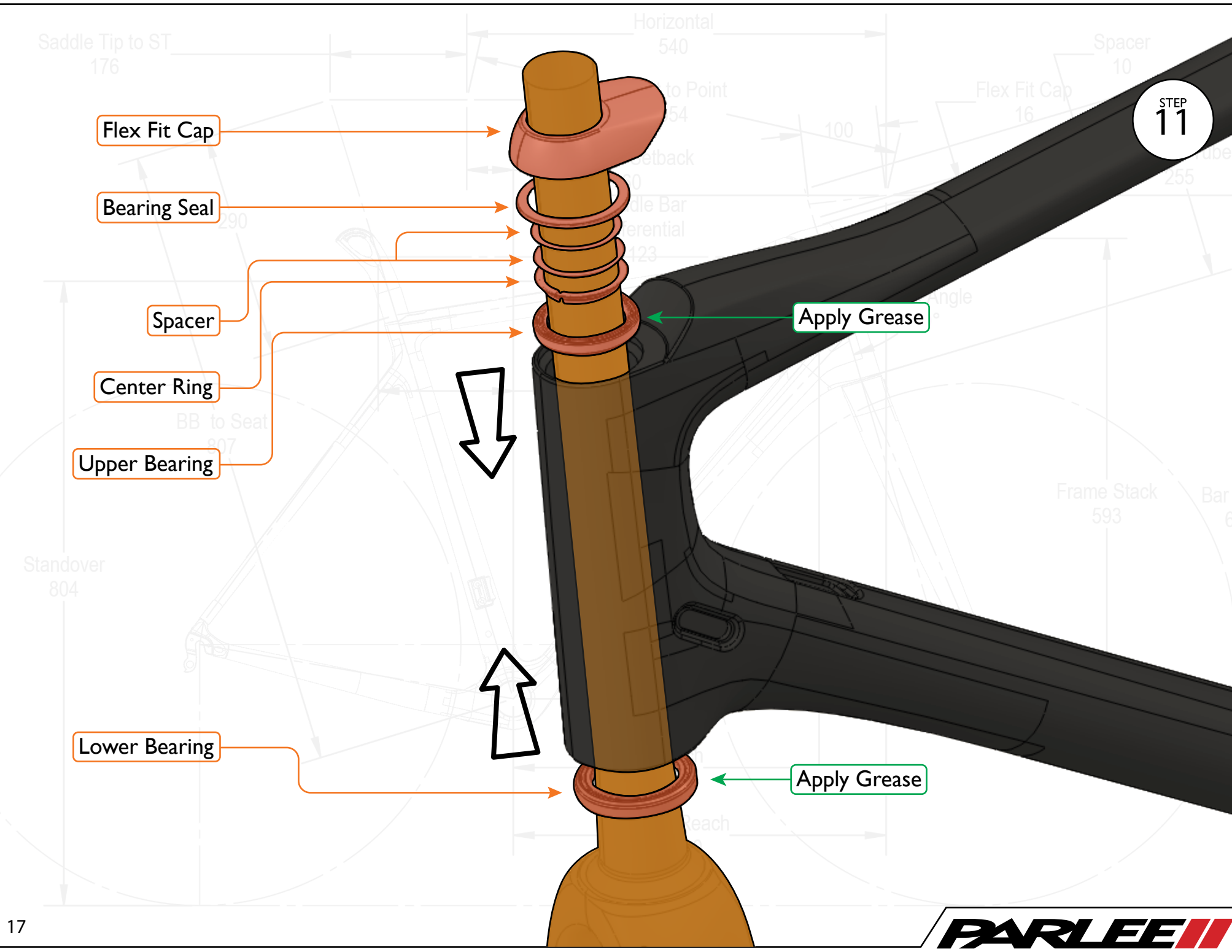




# Flex Fit Cap Assembly

STEP  
**10**





STEP  
11

Flex Fit Cap

Bearing Seal

Spacer

Center Ring

Upper Bearing

Lower Bearing

Apply Grease

Apply Grease



Saddle Tip to ST  
176

Spacer  
10

STEP  
12

Flex Fit Cap  
16

Star Tube  
255

Frame Stack

Frame Stack  
593

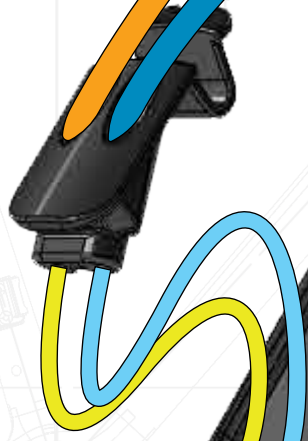
BB to Seat  
807



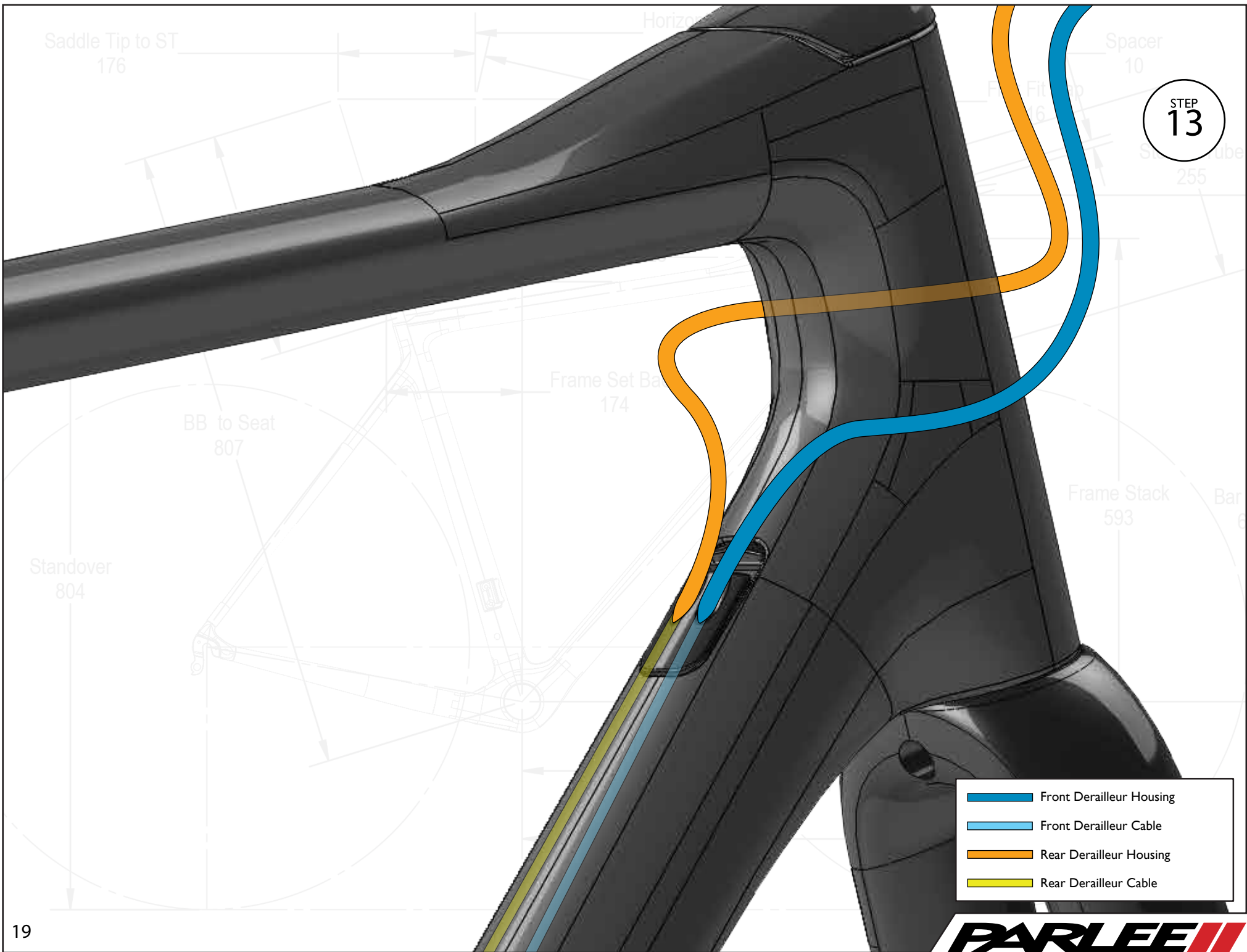
Mechanical

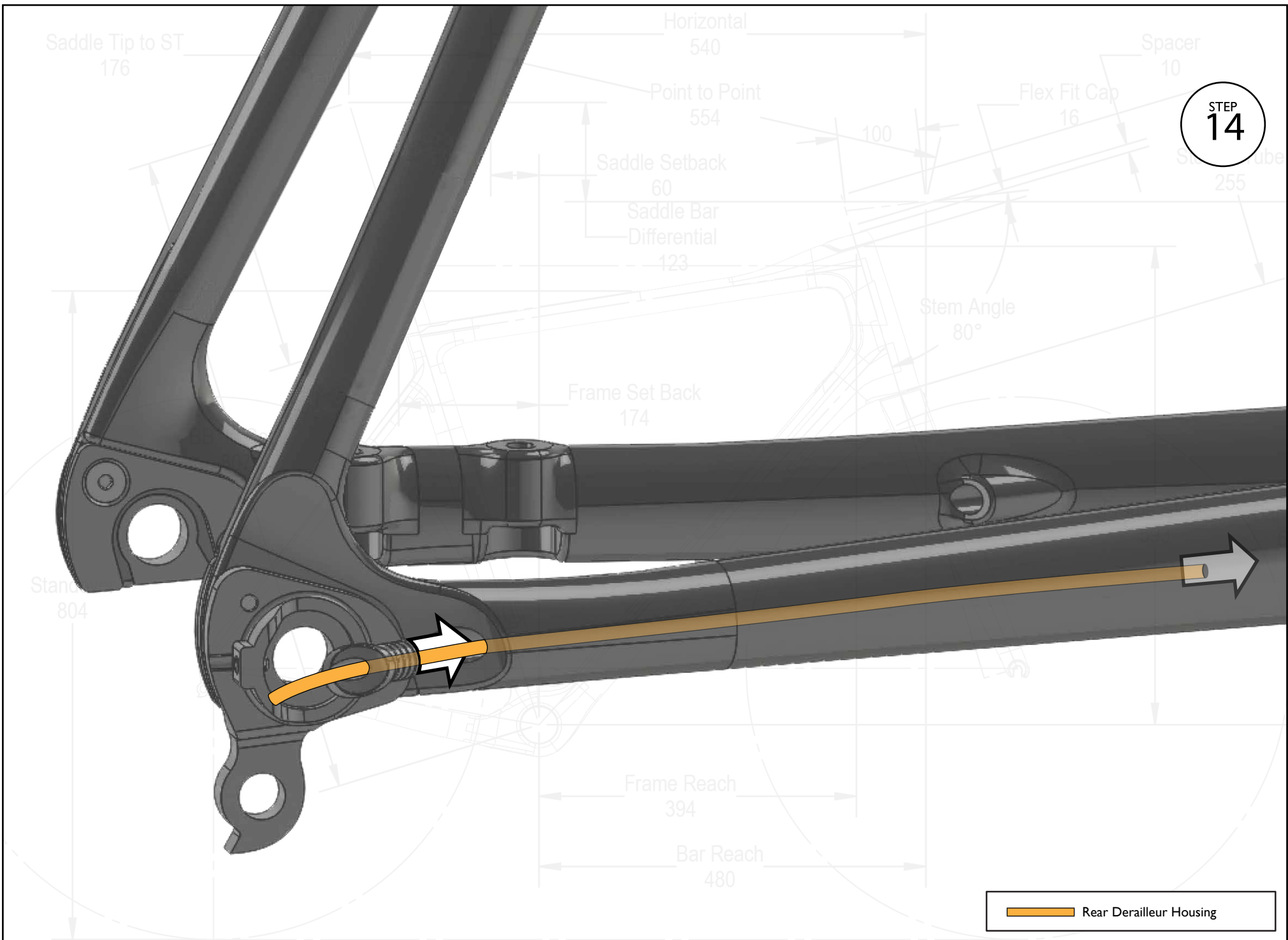


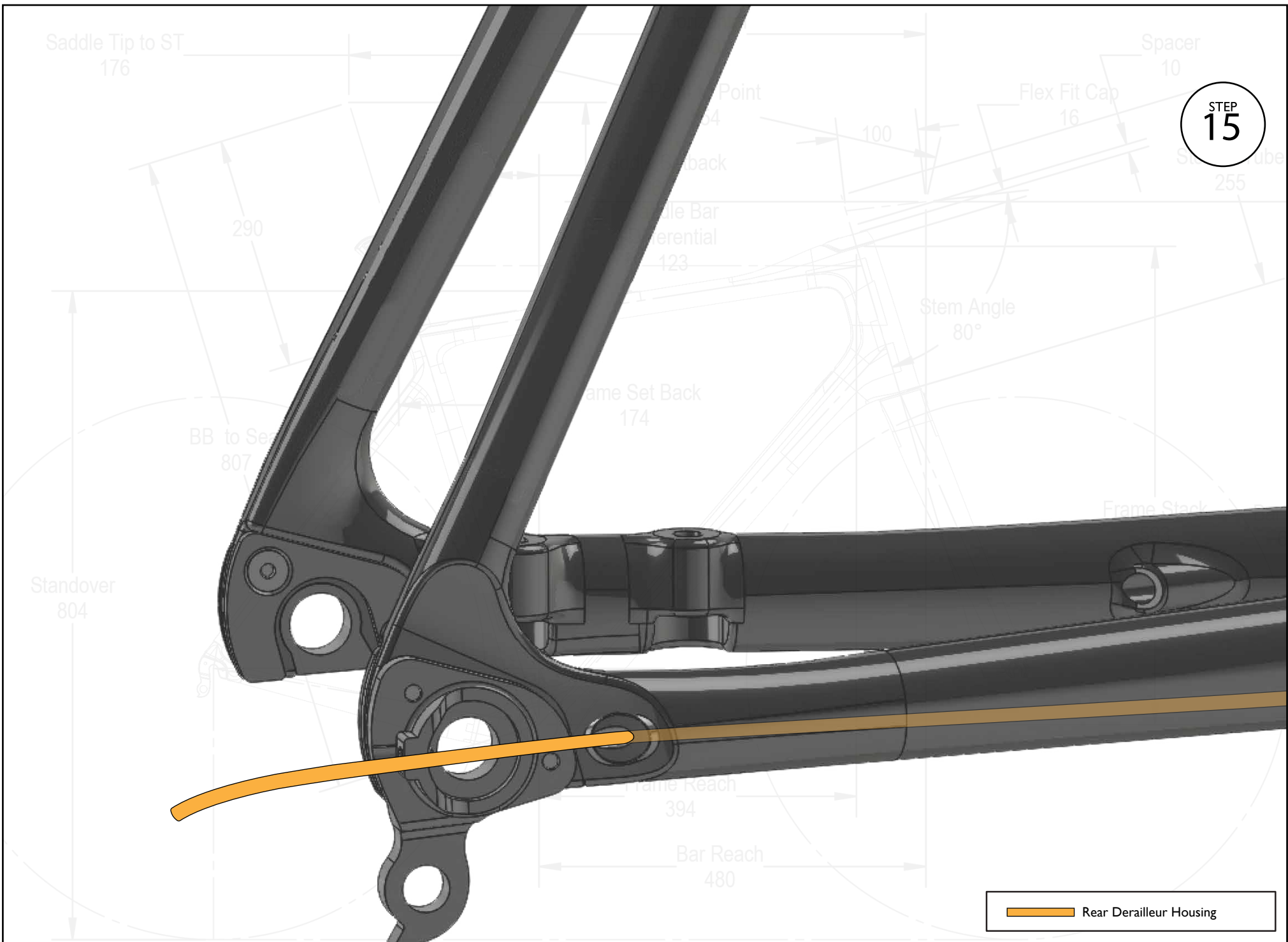
Electronic



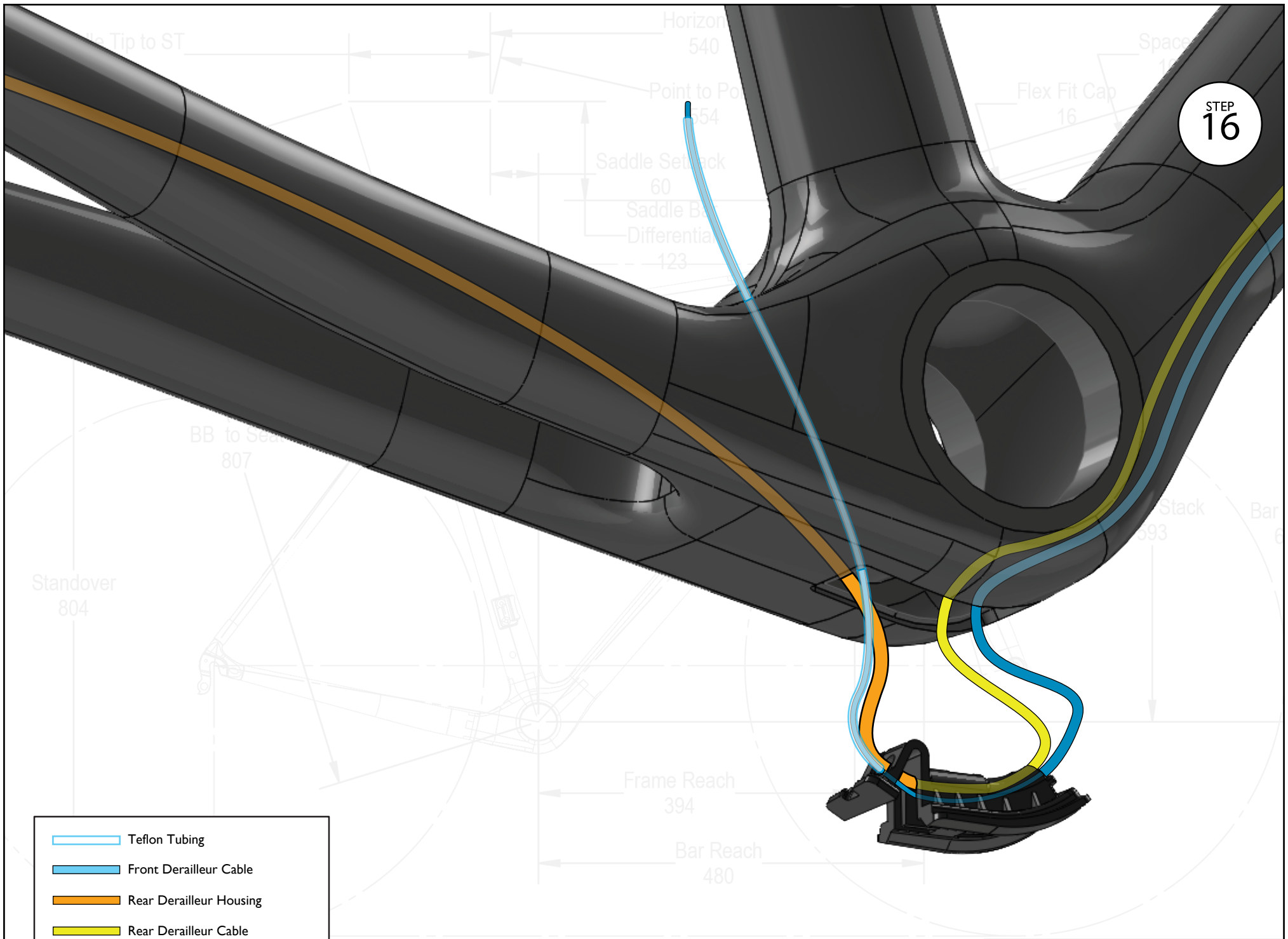
- Front Derailleur Housing
- Front Derailleur Cable
- Rear Derailleur Housing
- Rear Derailleur Cable



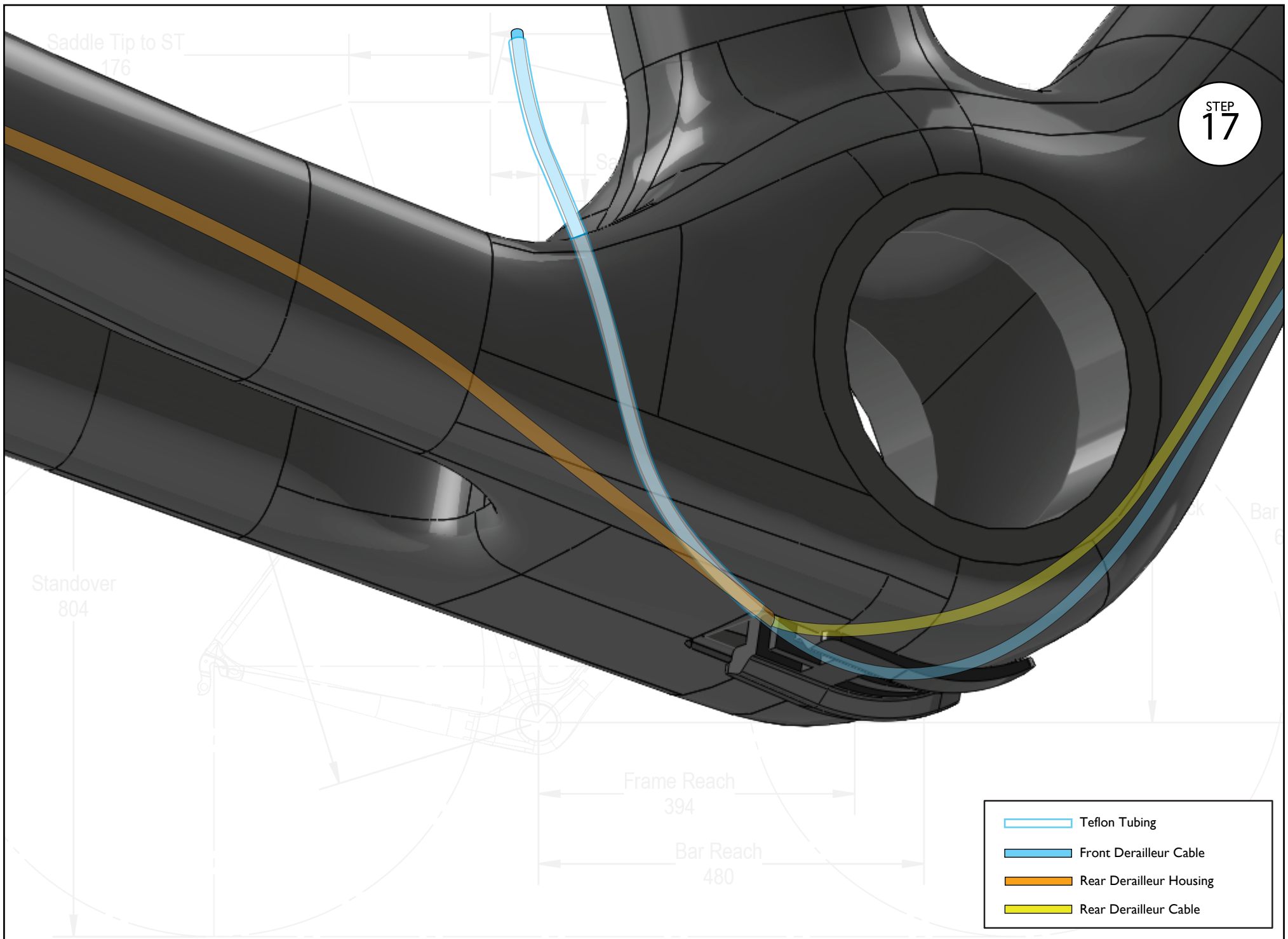




STEP  
16



STEP  
17



Saddle Tip to ST  
176

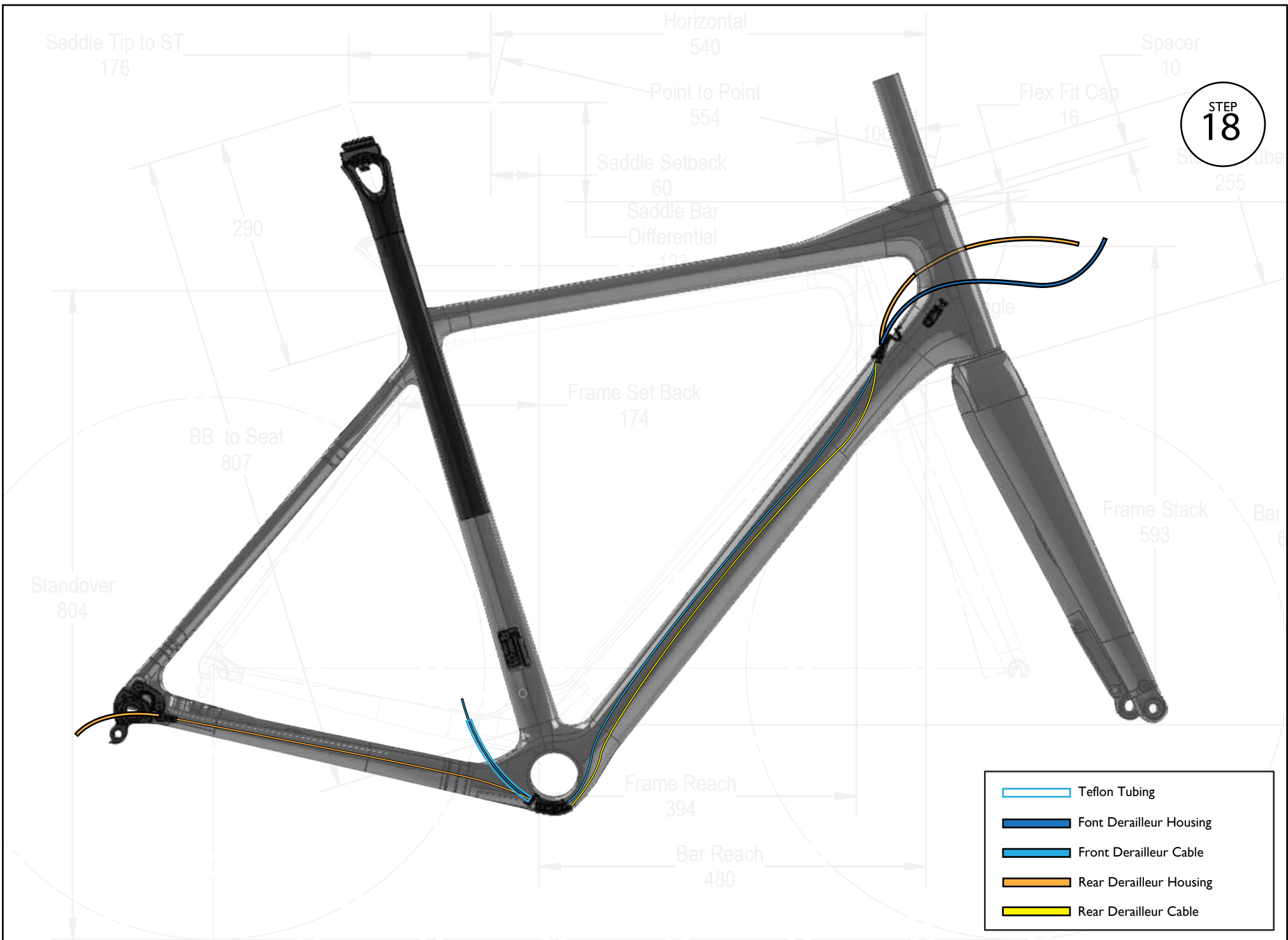
Standover  
804

Frame Reach  
394

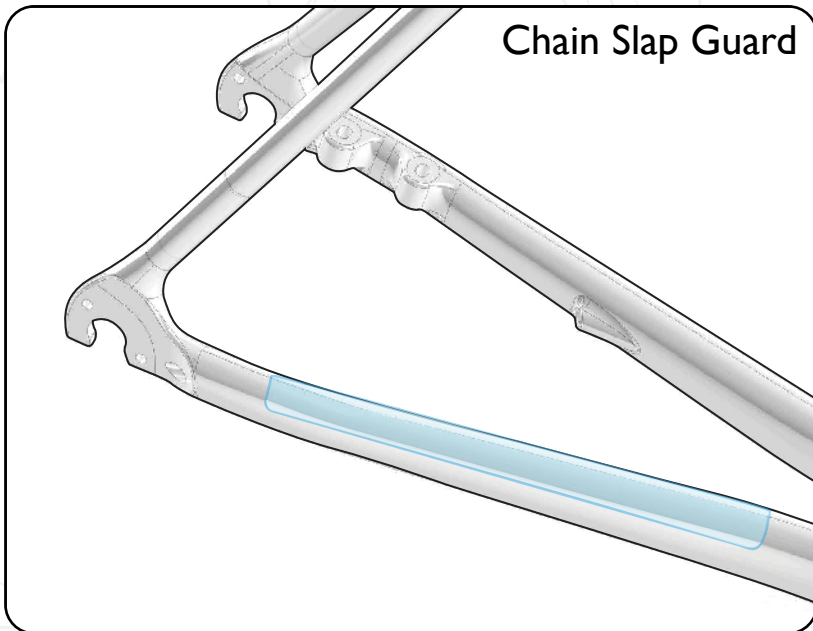
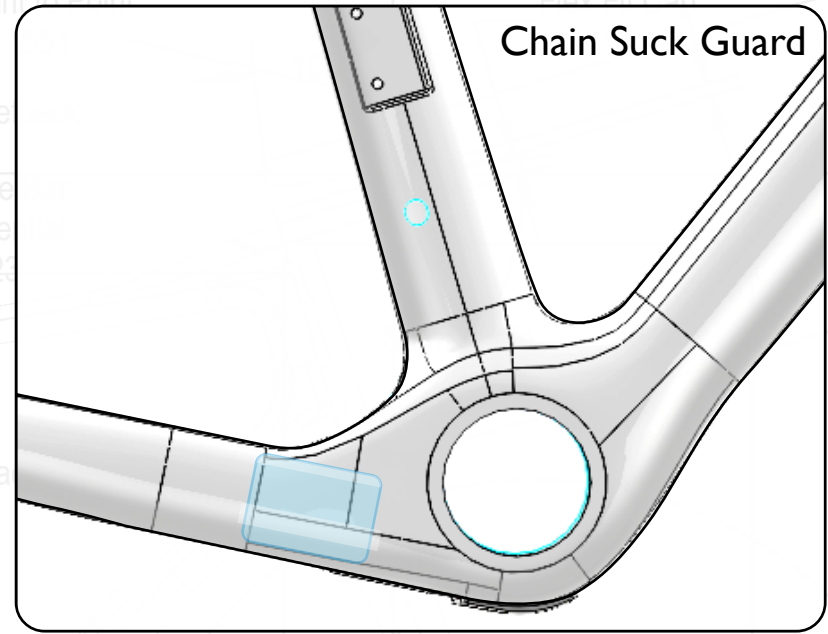
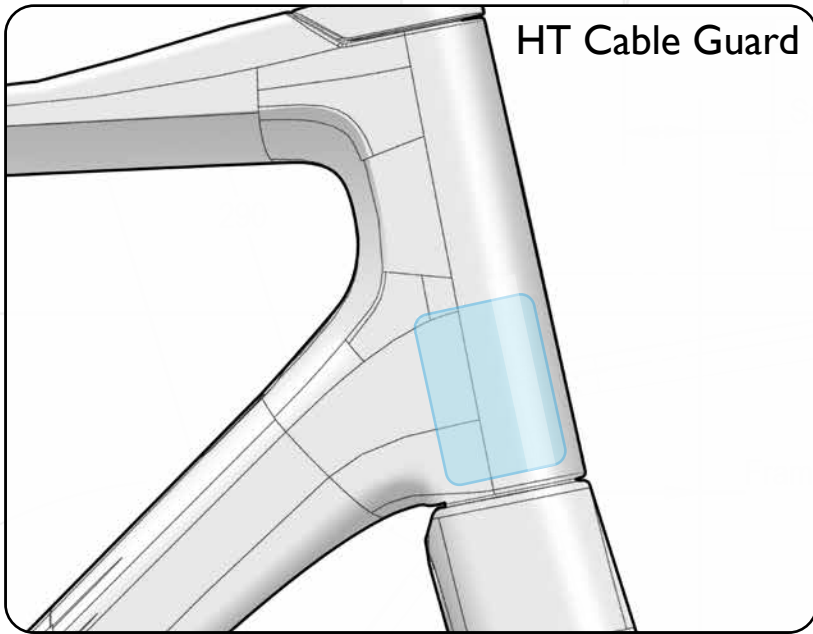
Bar Reach  
480

- Teflon Tubing
- Front Derailleur Cable
- Rear Derailleur Housing
- Rear Derailleur Cable





# Frame Armor Installation



**Clean Surface**  
Use de - natured alcohol and lint free to clean surface

**Instructions**  
Apply pressure from center outward.  
Use hair dryer to remove guards