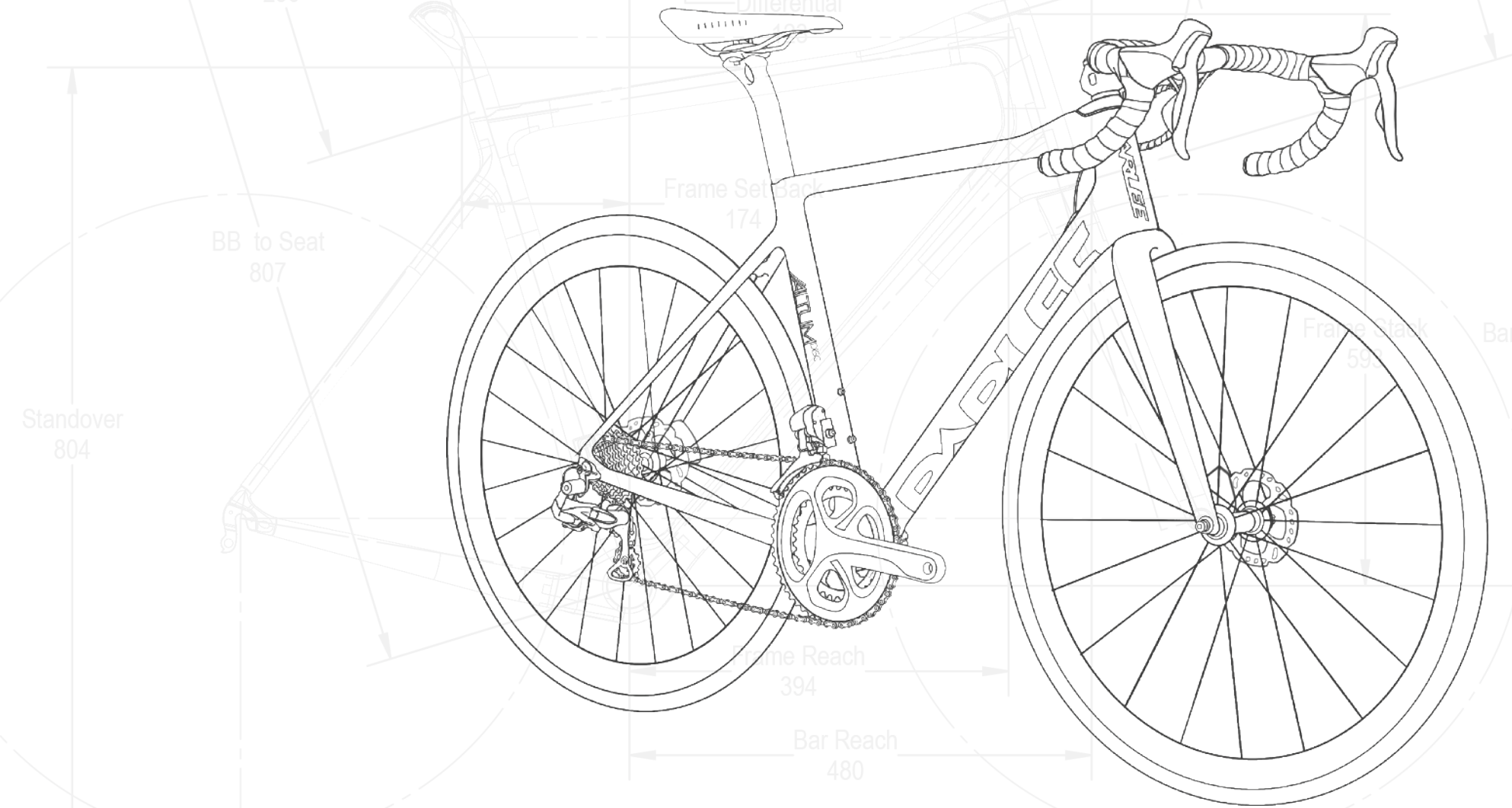


ALTUM DISC

Electronic Drivetrain Cabling Guide



R1.0



Saddle Tip to ST
176

Horizontal
540

Spacer
10

Congratulations on the purchase of your new PARLEE Altum!

Point to Point
534

Flex Fit Cap
16

The Altum is our most advanced model to date, delivering race ready performance with our signature PARLEE ride.

Saddle Setback
80

100

Steerer Tube
255

Saddle Bar
Differential
123

This manual contains important assembly and service information. All assembly and service of PARLEE bicycles must be carried out by an authorized PARLEE Dealer/Mechanic.

Stem Angle
60

Note to PARLEE Dealers/Mechanics: We strongly advise that you read this manual in its entirety before assembly of the bicycle to familiarize yourself with the systems and proprietary procedures of its assembly.

Frame Stack
114

Frame Stack
593

If you have any questions contact PARLEE at:

Standover
807

Phone: 978.998.4880

Email: Info@parleecycles.com

Frame Reach
394

Bar Reach
480

Table Of Contents

03 - Seat Post Installation

08 - Frame Set Assembly

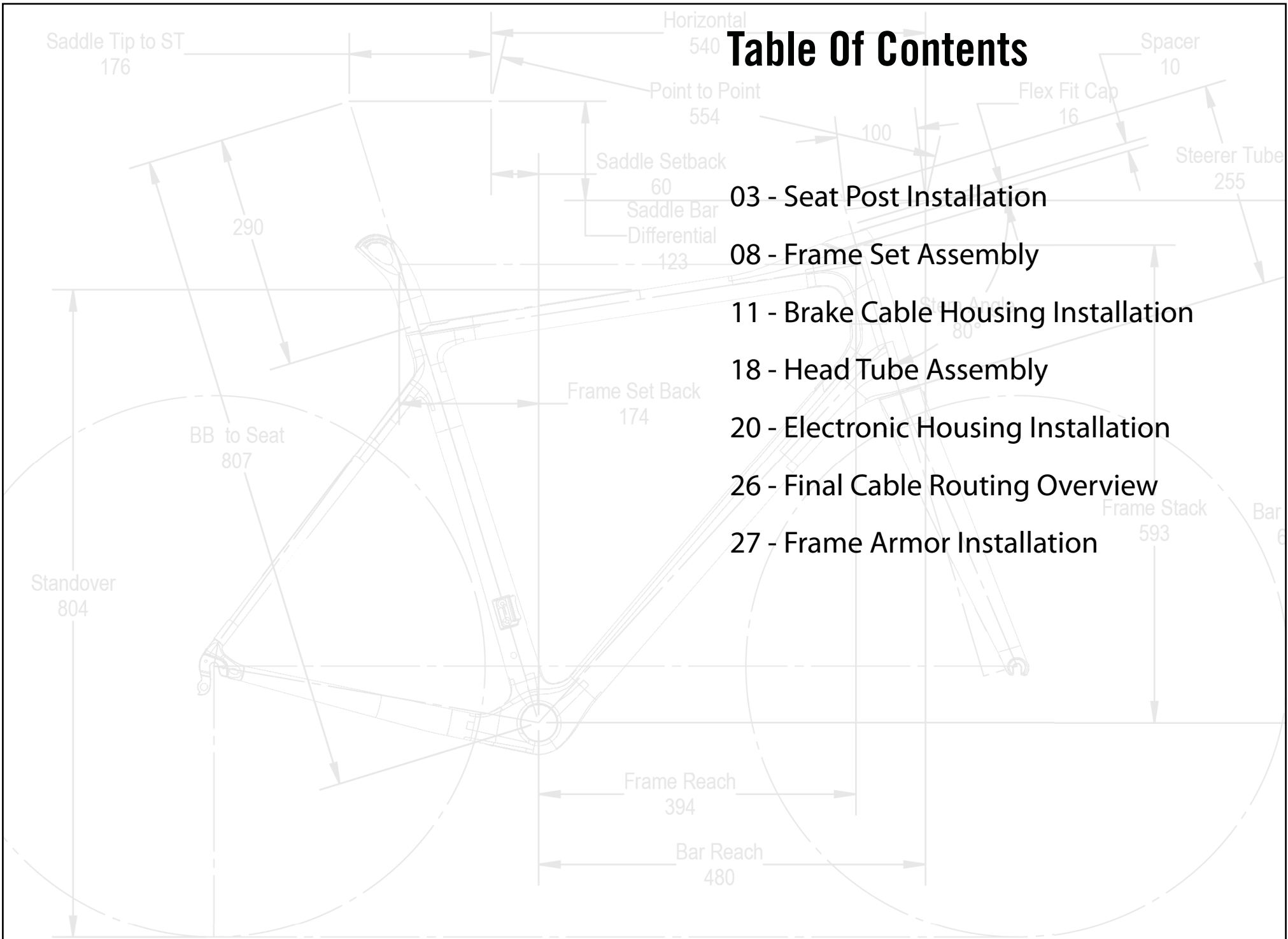
11 - Brake Cable Housing Installation

18 - Head Tube Assembly

20 - Electronic Housing Installation

26 - Final Cable Routing Overview

27 - Frame Armor Installation



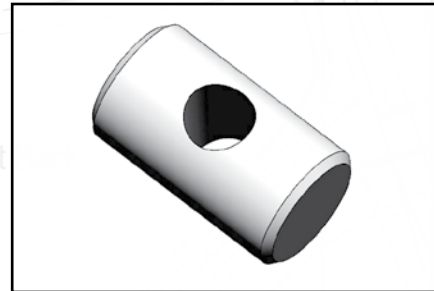
Saddle Tip to ST
176

Horizontal
540

Spacer
10



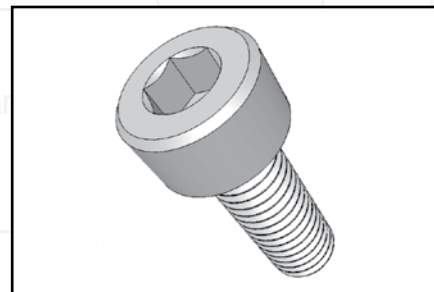
Altum Clamp Follower
x1



Seat Post Clamp Nut
x1



Altum Clamp Top
x1



M5 Wedge Clamp Bolt
x1

Seat Post Assembly

Standover
804

Frame Set
174

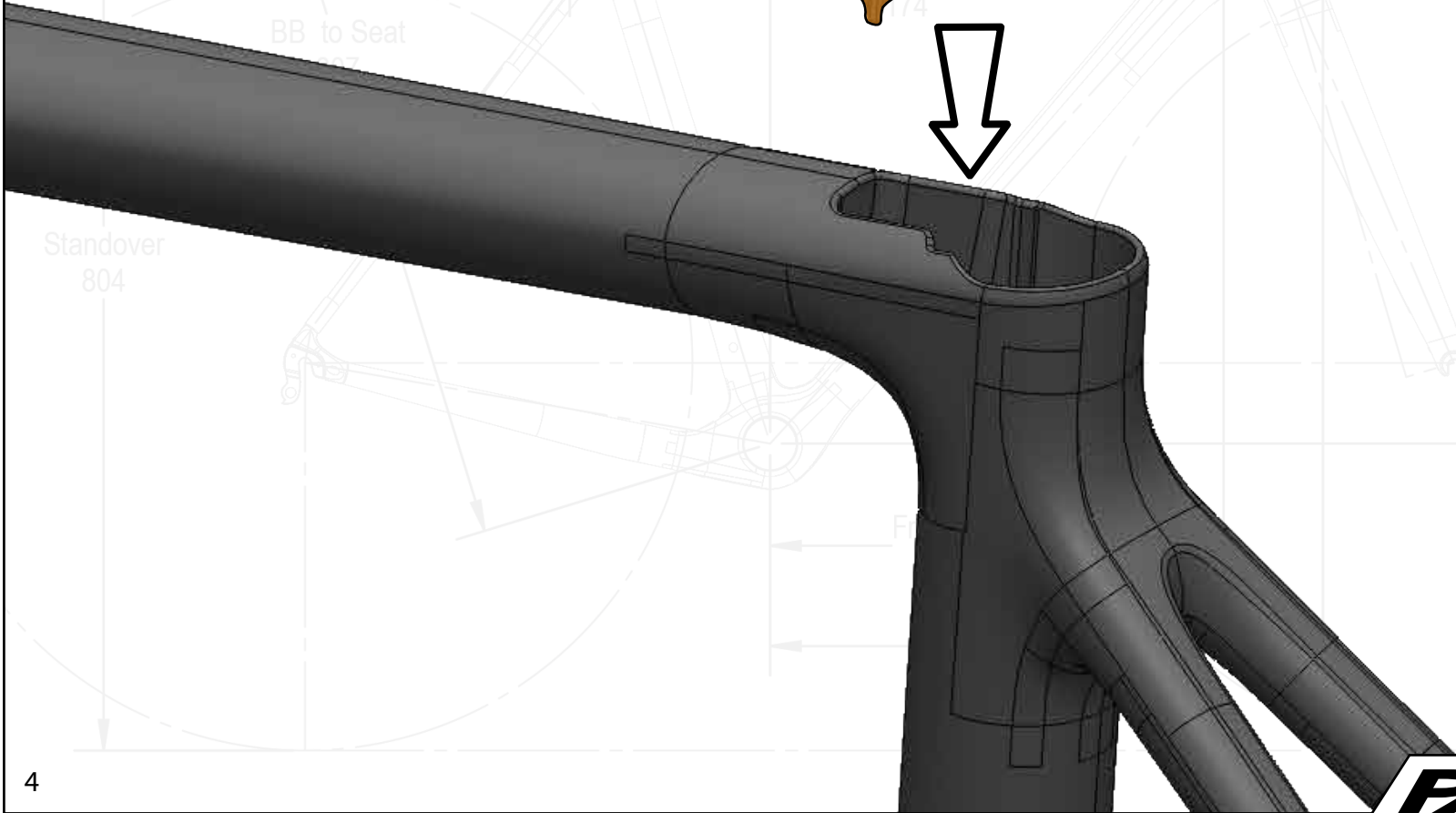
Frame

Red Loctite All Threaded Surfaces.

STEP
1

Torque to 5-8nm

Seat Post Clamp



STEP
2

Insert battery electronic wire into seattube and guide towards the bottom bracket.

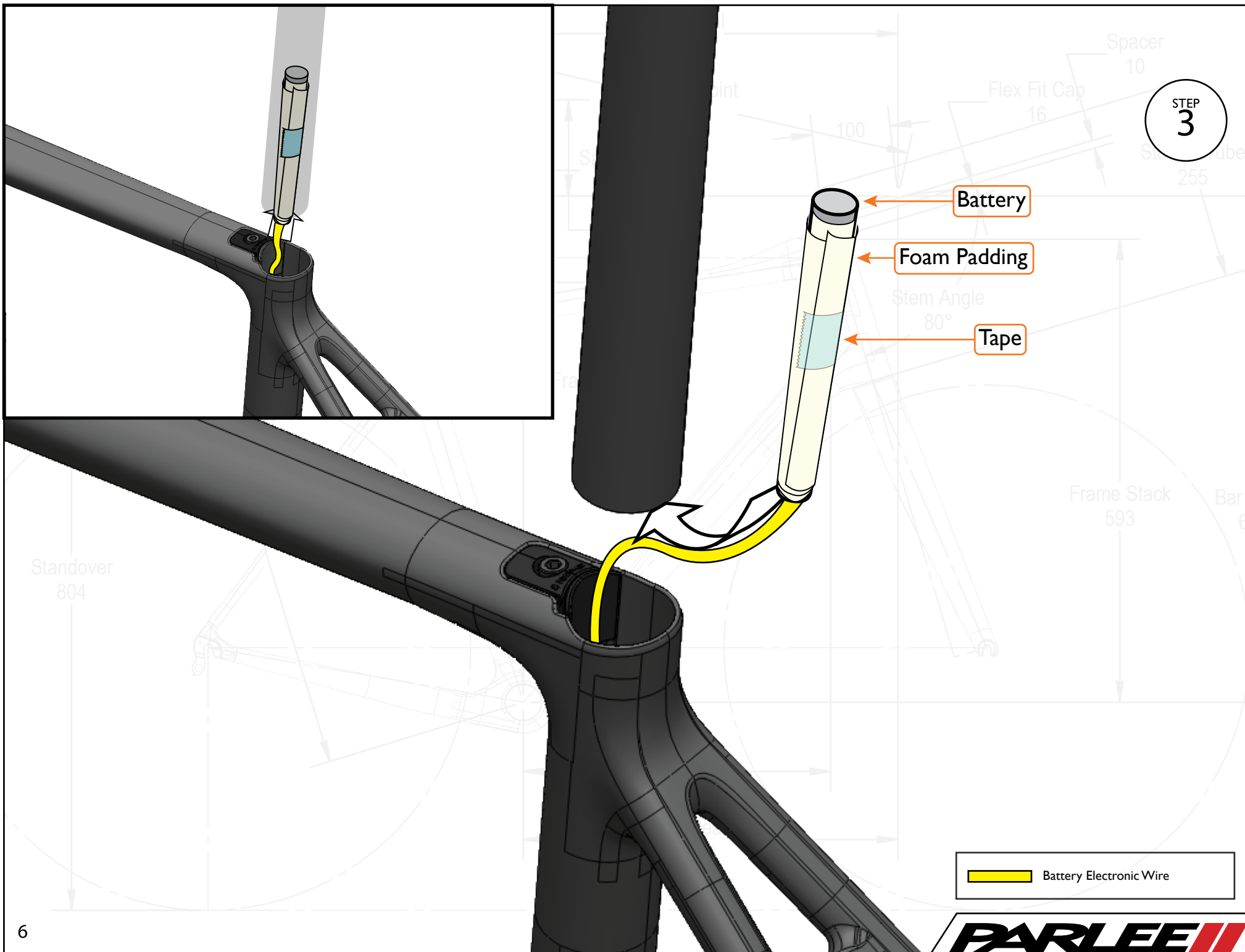
Battery

Tape

Foam Padding

 Battery Electronic Wire

STEP
3



Battery

Foam Padding

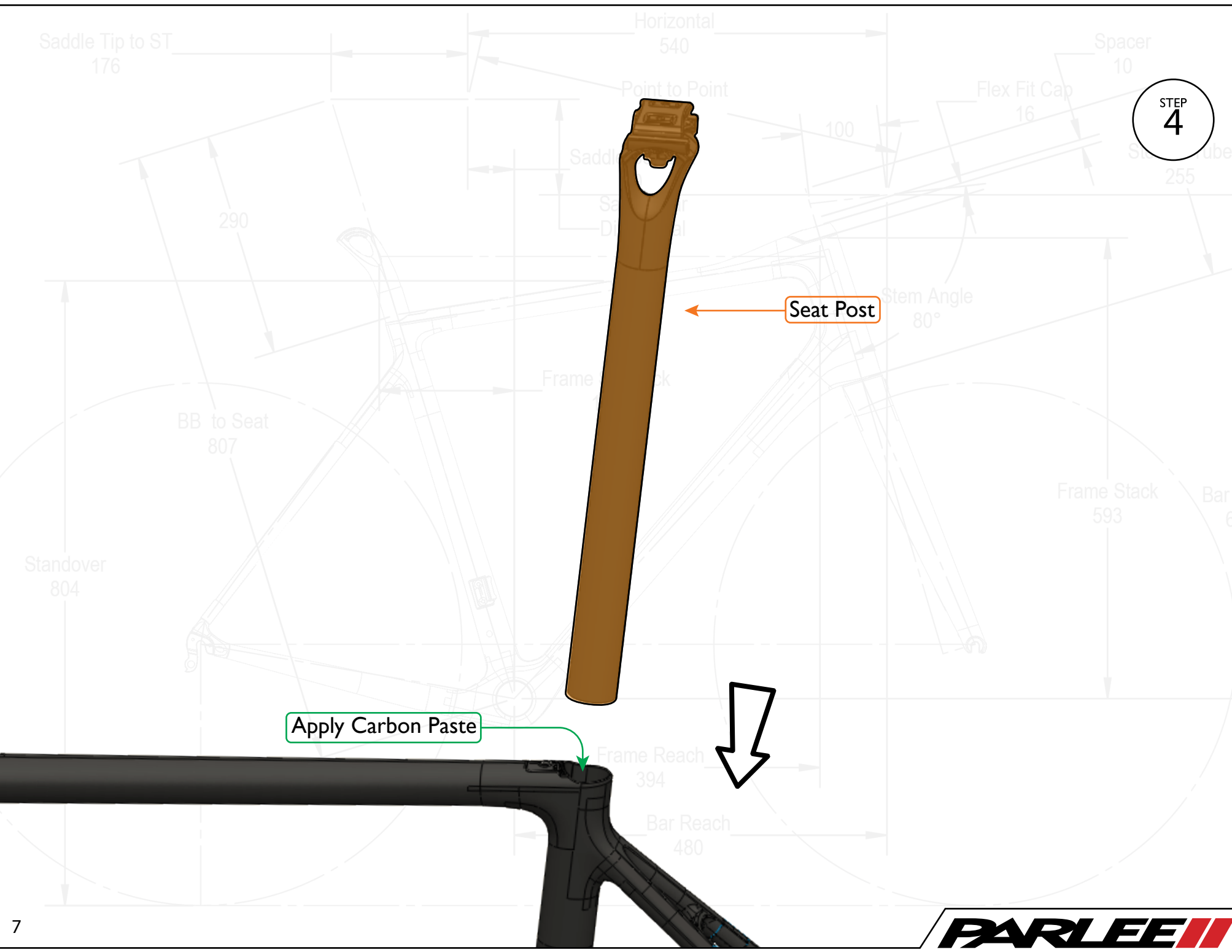
Tape

 Battery Electronic Wire

STEP
4

Seat Post

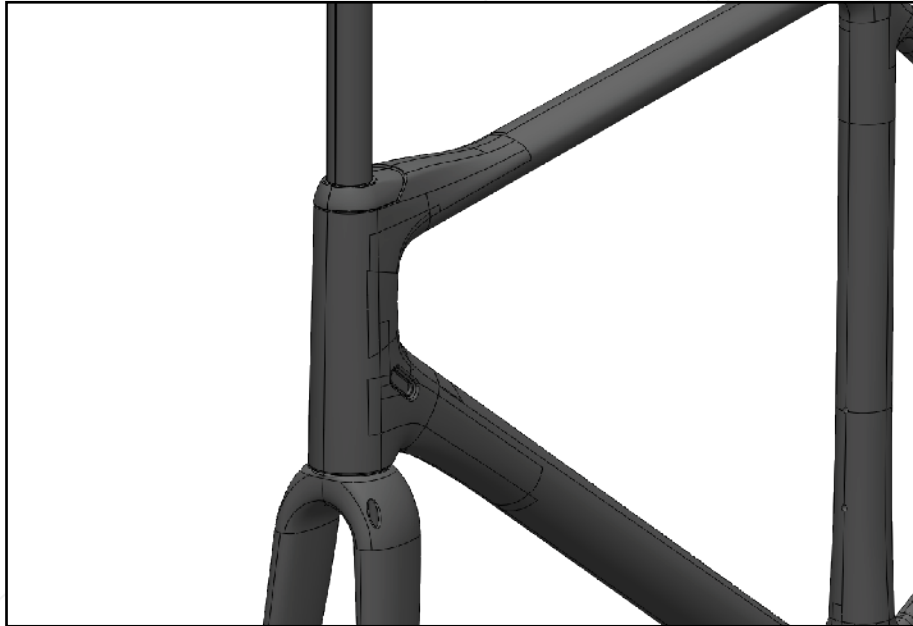
Apply Carbon Paste



Saddle Tip to ST
176

Horizontal
540

Spacer
10



Lower Bearing
x1



Upper Bearing
x1

Frame Set Assembly



Top Cap 15mm
x1

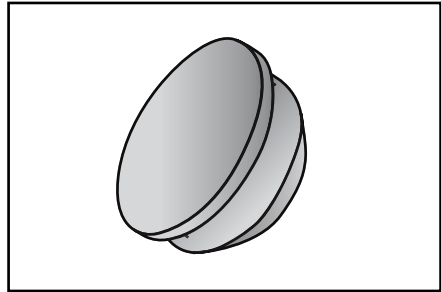


Bearing Seal
x1



Bearing Ring
x1

Saddle Tip to ST
176

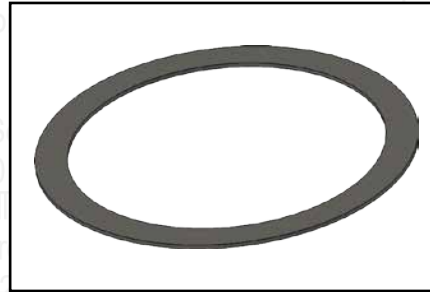


Blind Grommet

x1

For Mechanical Front Drive - train

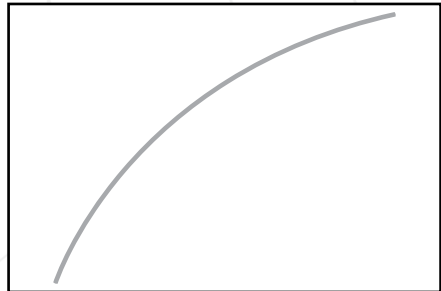
Horizontal
540



Steel Spacer

x2

Spacer
10



Teflon Tubing

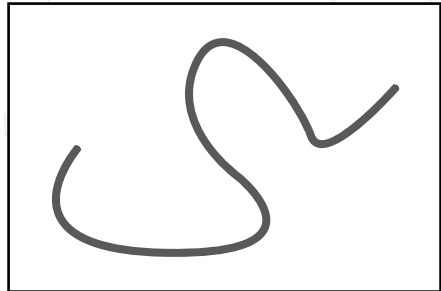
x1

For Mechanical Drive - train



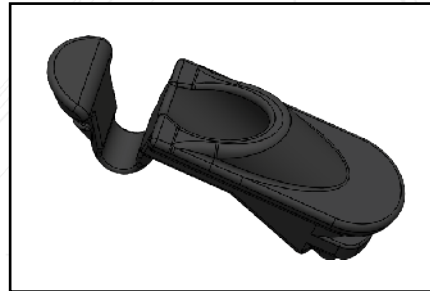
Electronic BB Hatch

For Electronic Drive - train



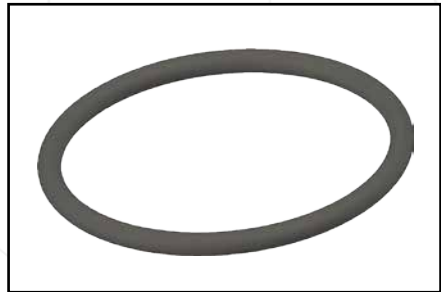
Foam Silencer Tubing

x1



Brake Housing Stop

x1



Rubber Seal

x1

Frame Reach
394

Bar Reach
480

Saddle Tip to ST
176

Horizontal
540

Spacer
10



BB Cable Guide

x1



Electronic DT Cable Stop

x1

Electronic Drive - Trains Only



Electronic Rear Derailleur Grommet

x1

Electronic Drive - Trains Only



Mechanical Rear Derailleur Grommet

x1

Mechanical Drive - Trains Only



Mechanical DT Cable Stop

x1

Electronic Drive - Trains Only

Saddle S
60
Sadd
Diffe
12

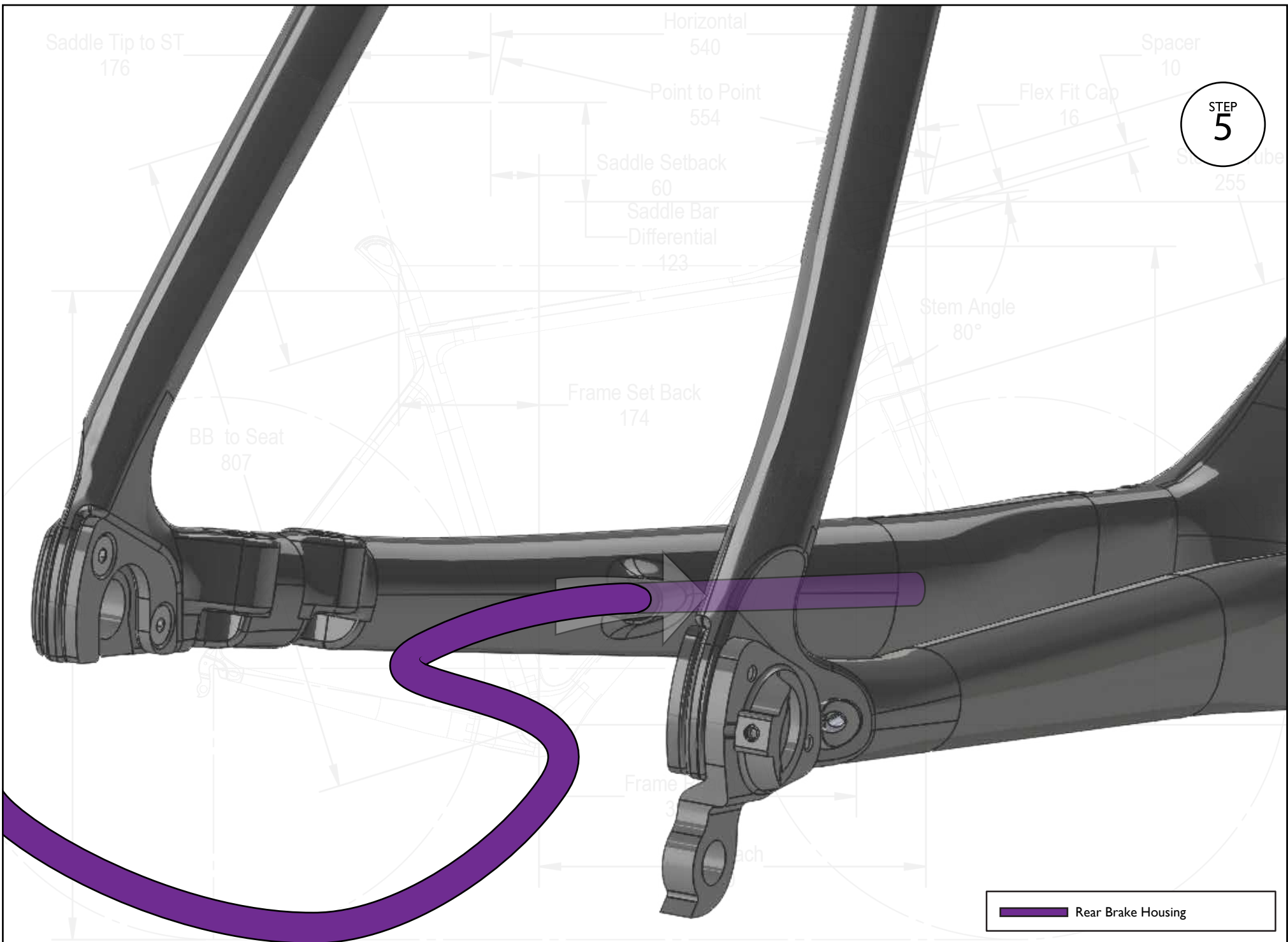
Frame Set Back
174

Stem Angle
80°

Frame Stack
593

Frame Reach
394

Bar Reach
480

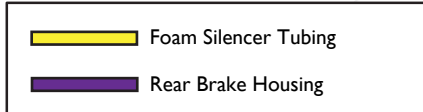




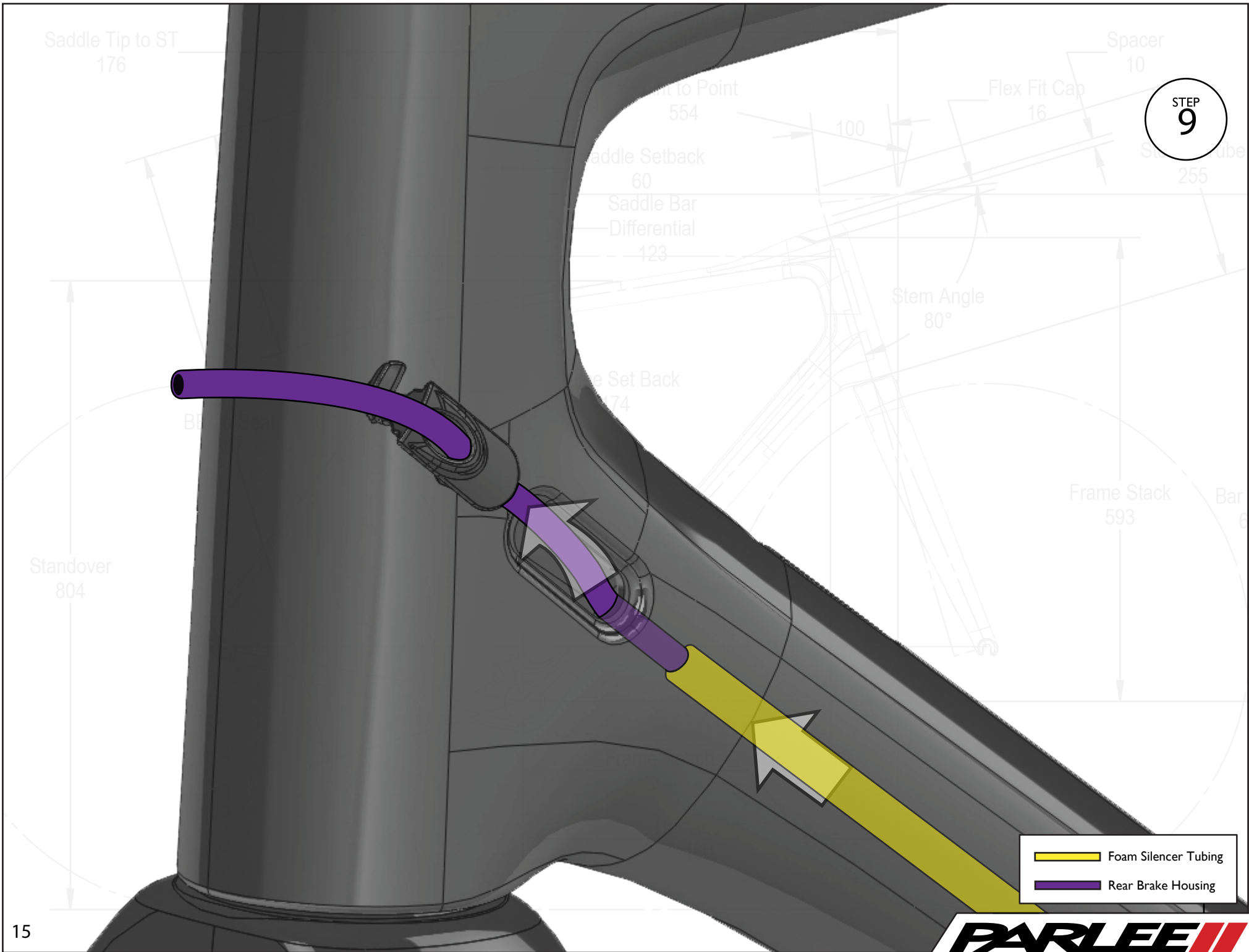
STEP
7

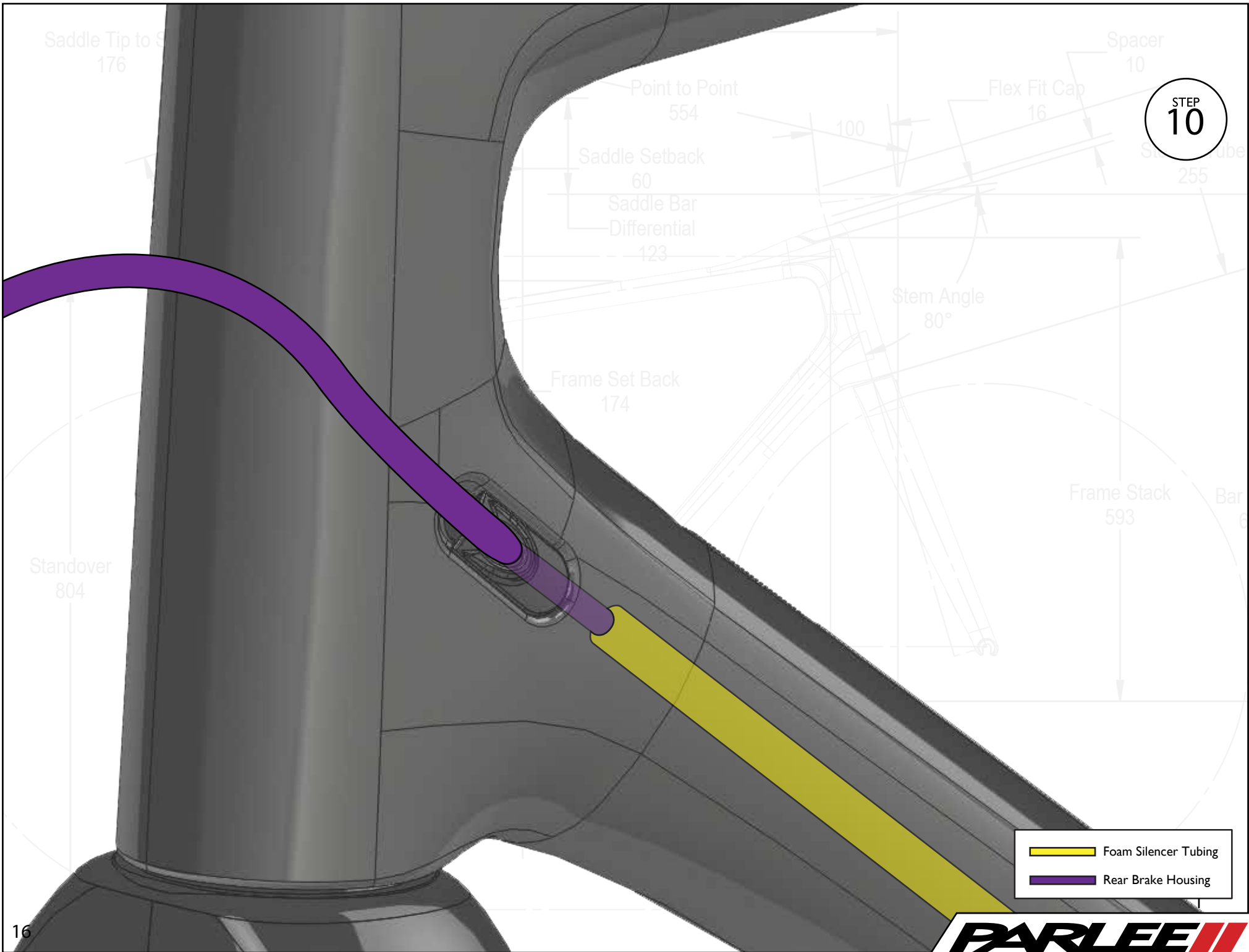
Foam Silencer Tubing

Sleeve foam silencer tubing over brake housing.
(use a small amount of lubricant to aid installation)





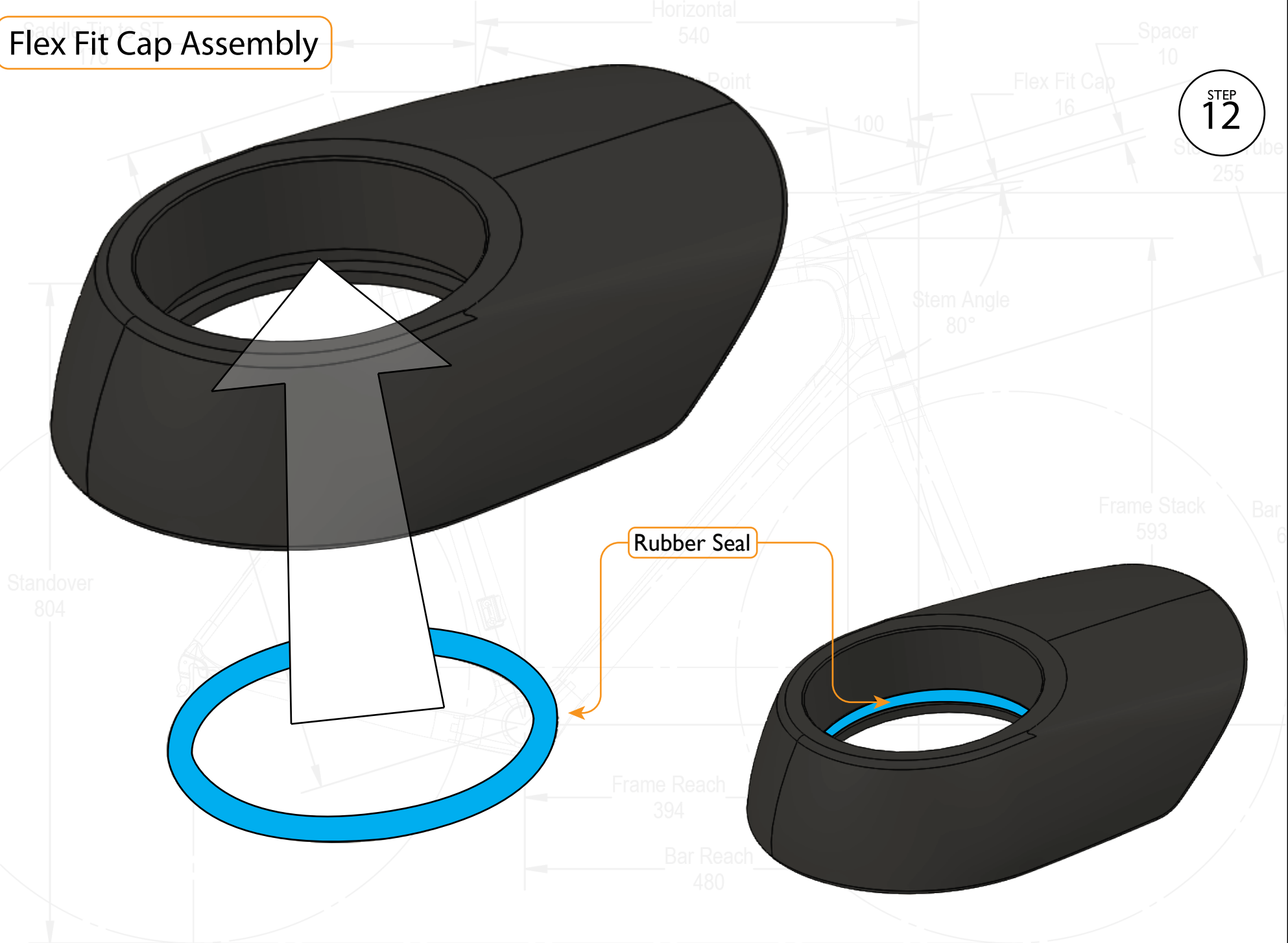






Flex Fit Cap Assembly

STEP
12



STEP
13

Flex Fit Cap

Bearing Seal

Spacer

Center Ring

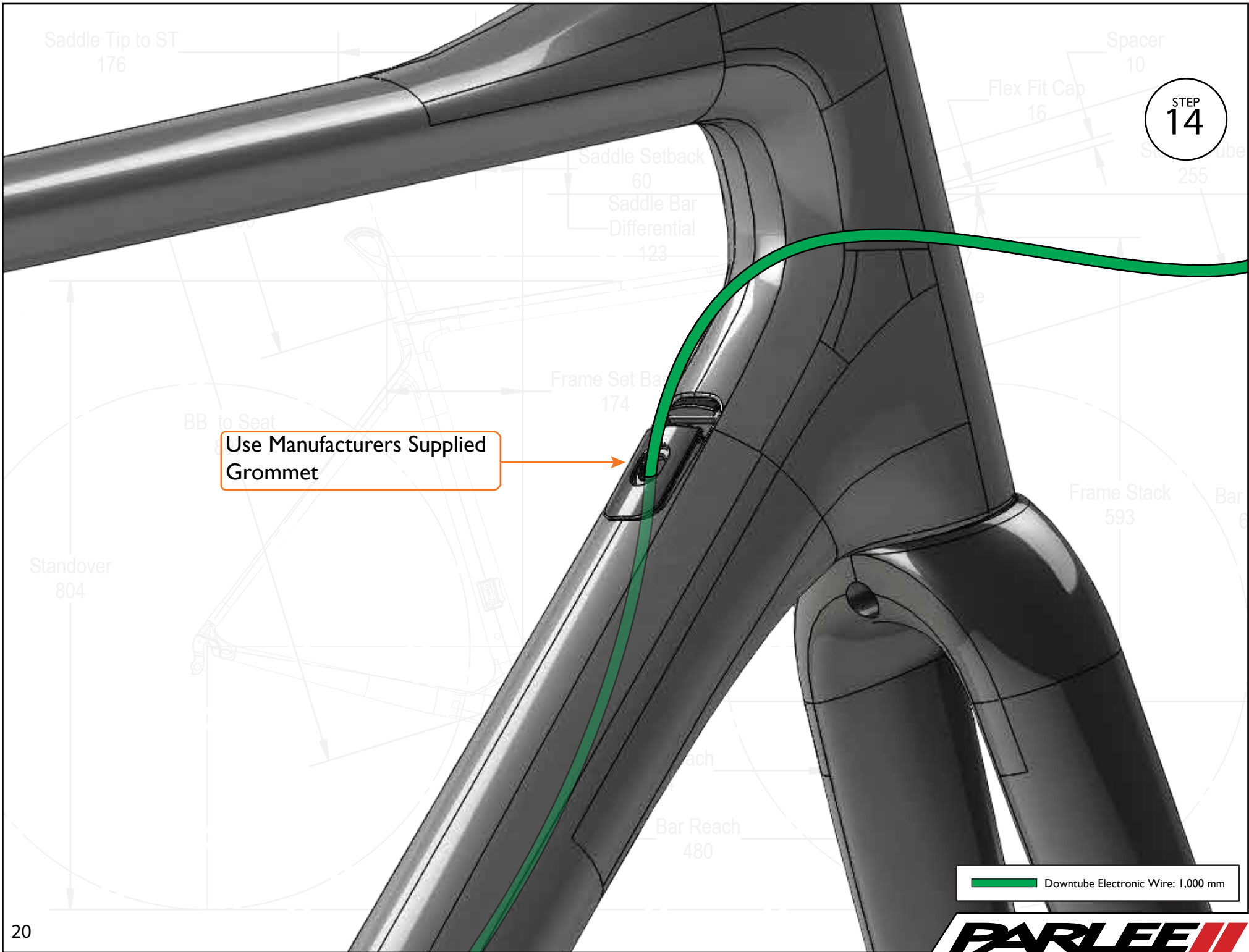
Upper Bearing

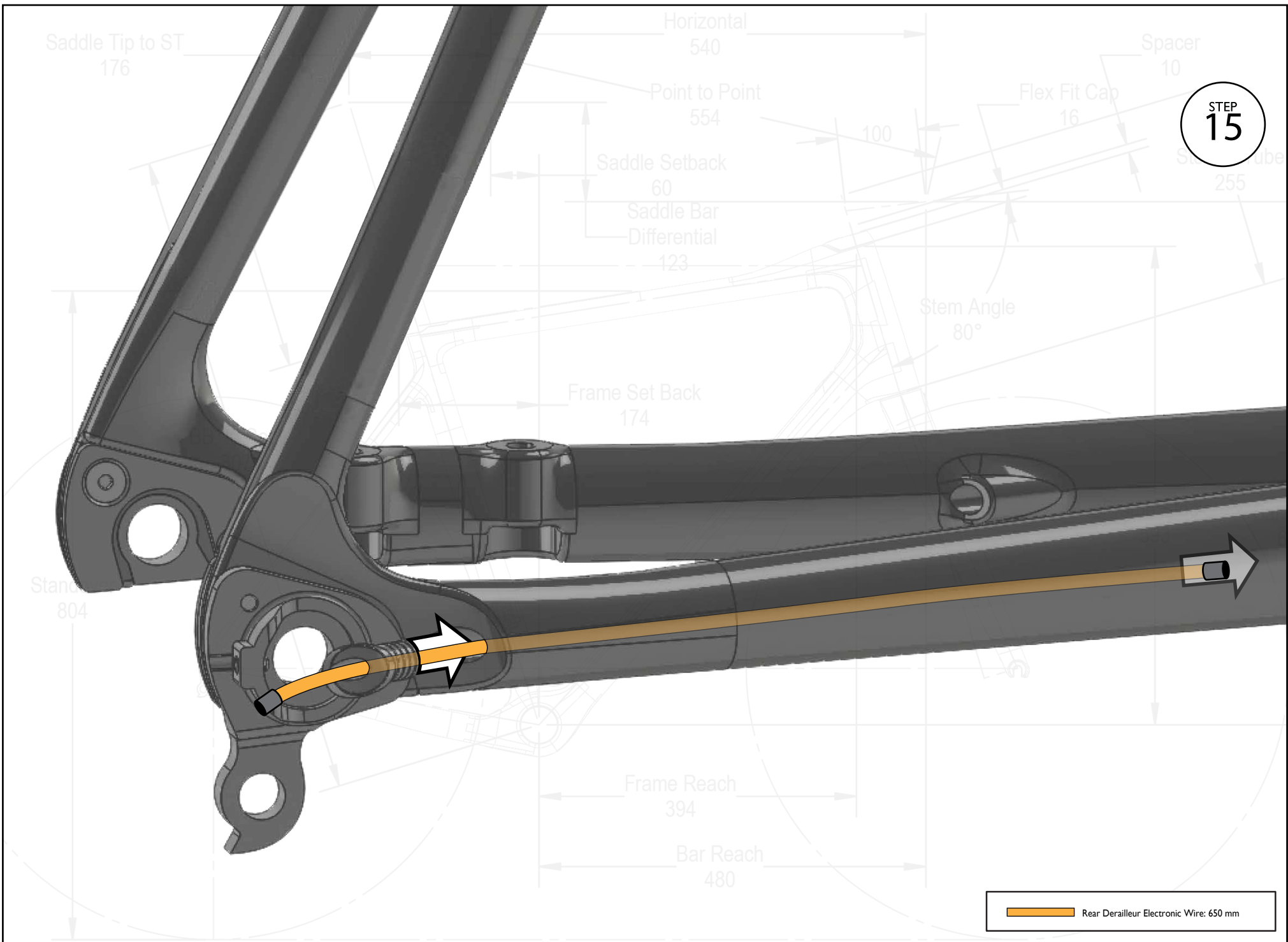
Lower Bearing

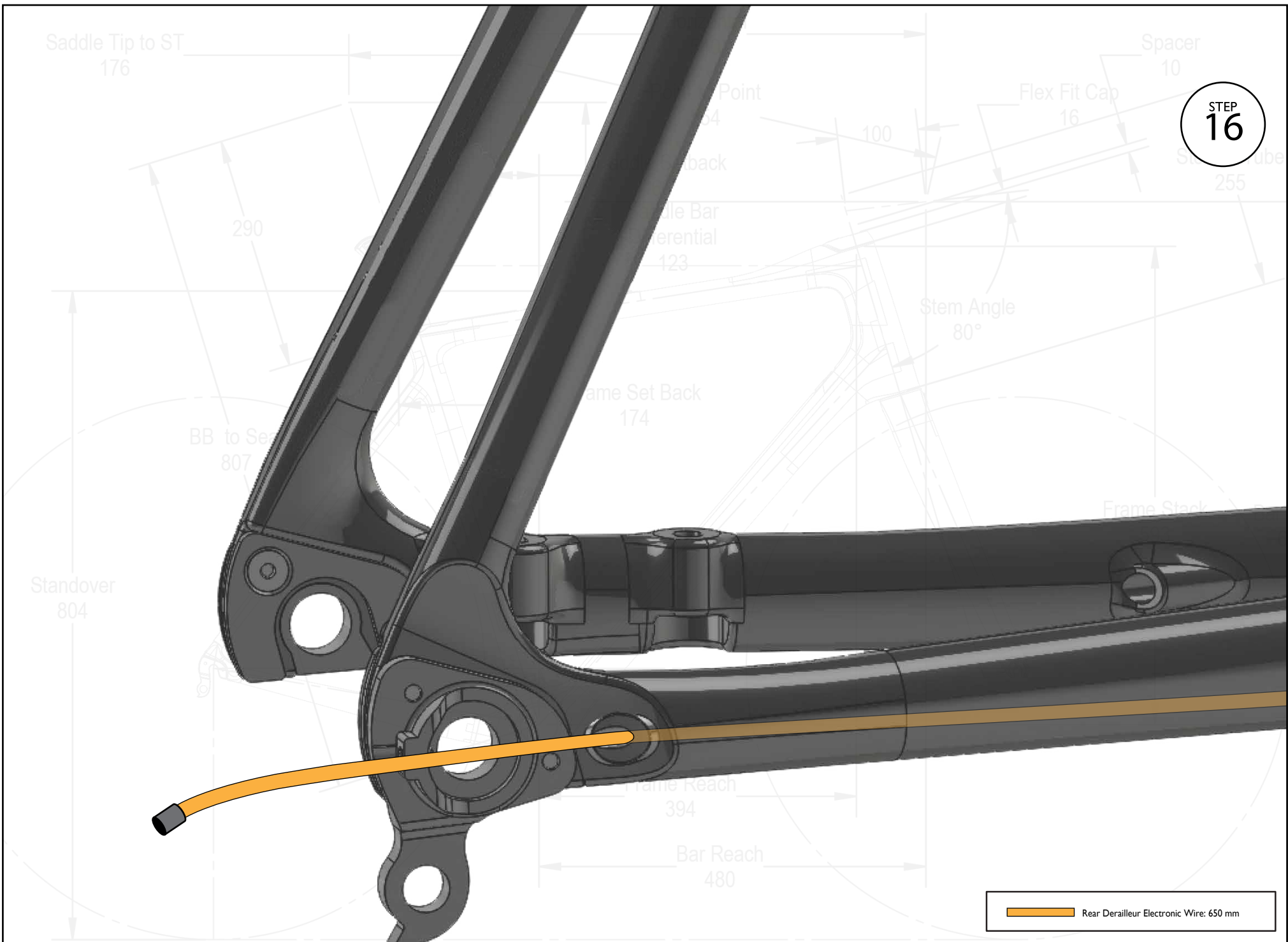
Apply Grease

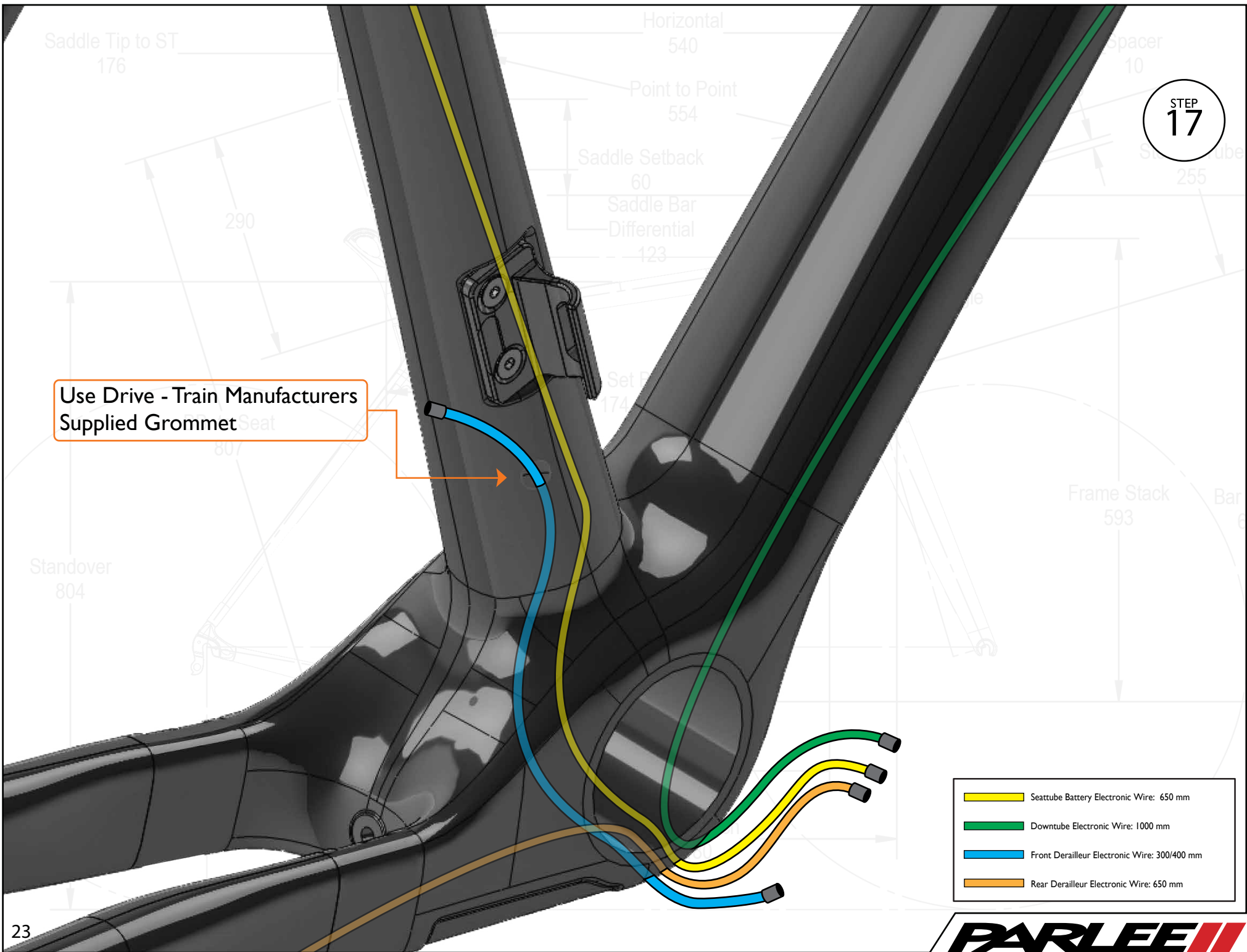
Apply Grease











STEP
17

Use Drive - Train Manufacturers
Supplied Grommet

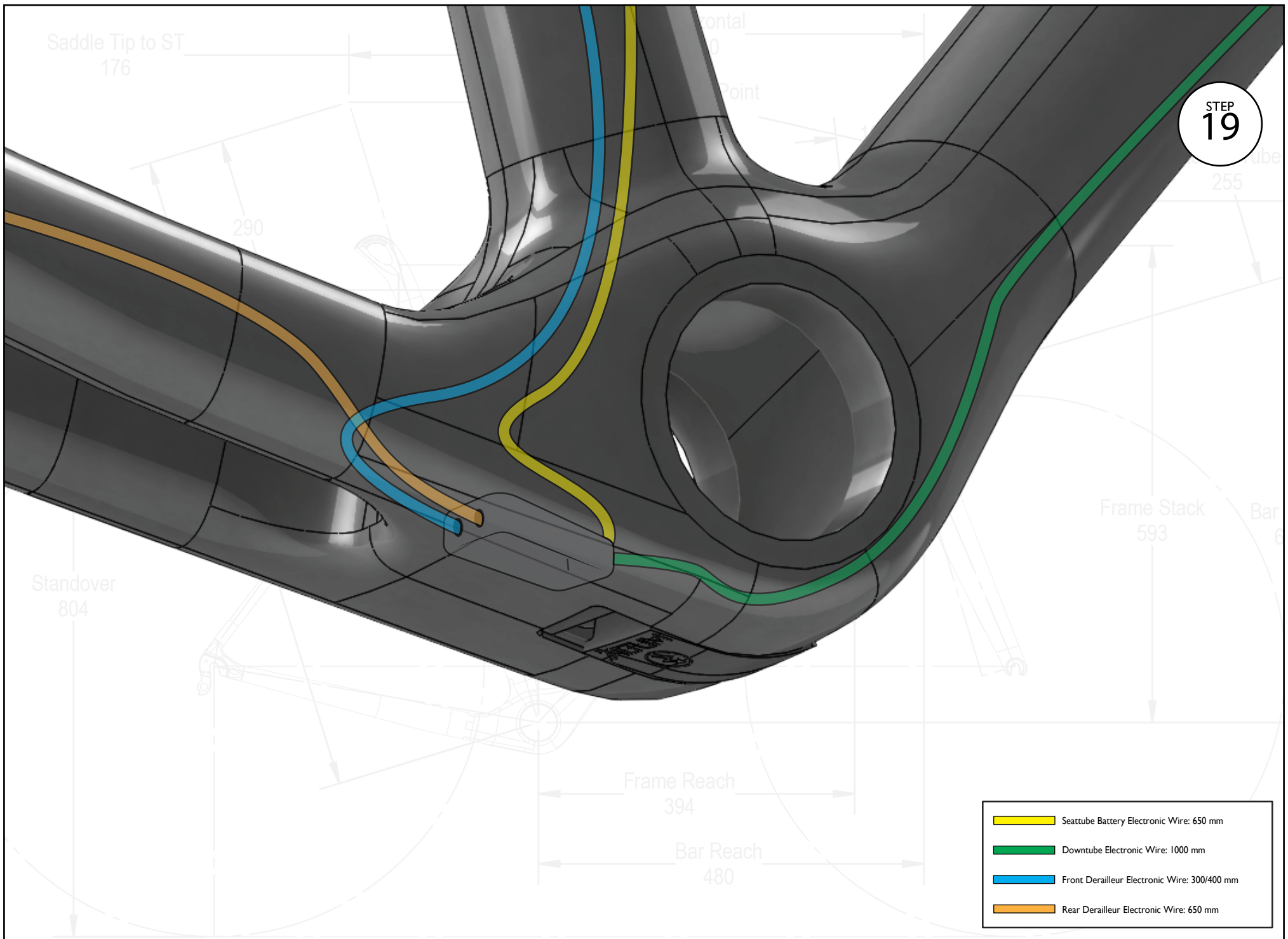
- Seattube Battery Electronic Wire: 650 mm
- Downtube Electronic Wire: 1000 mm
- Front Derailleur Electronic Wire: 300/400 mm
- Rear Derailleur Electronic Wire: 650 mm

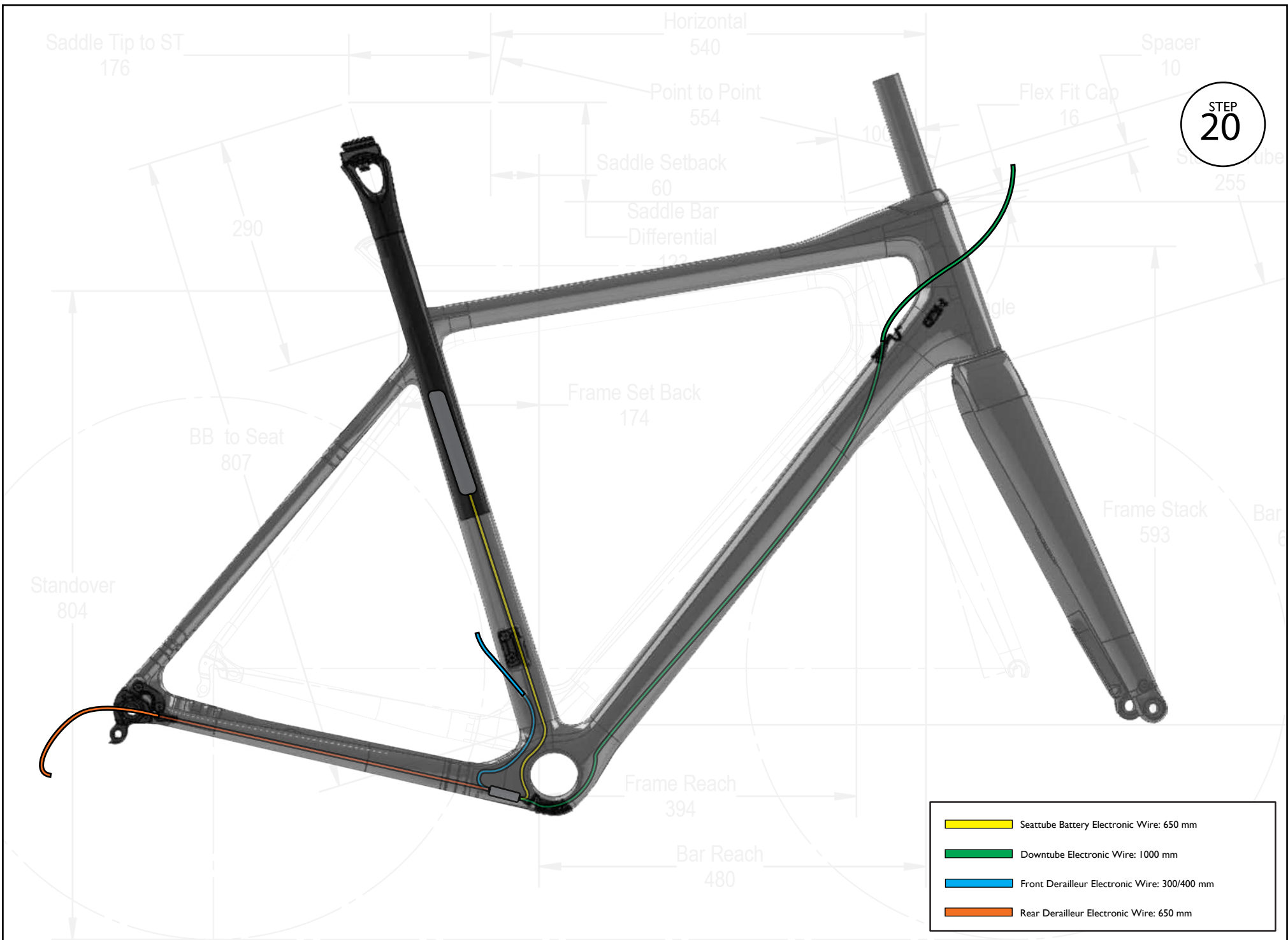
STEP
18

Wrap the electronic junction box in foam and insert into bottom bracket.

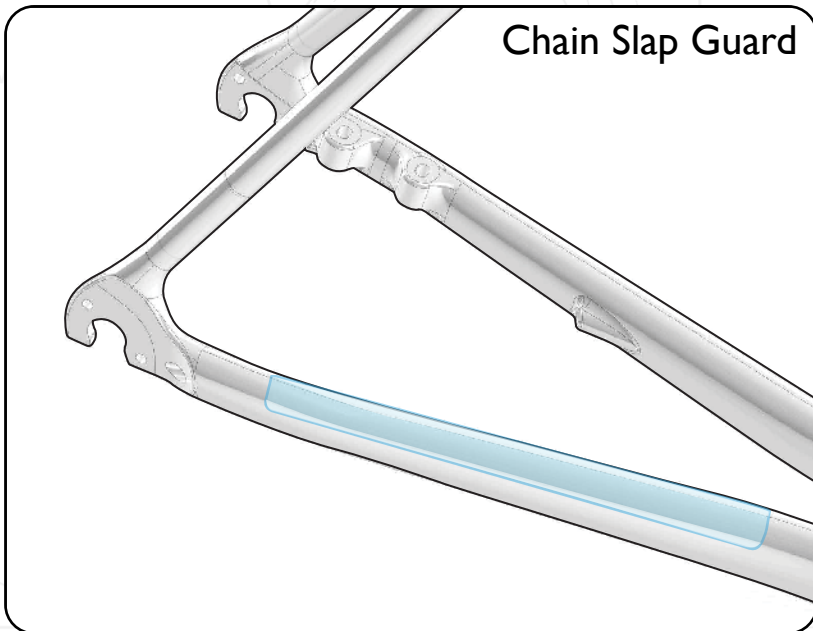
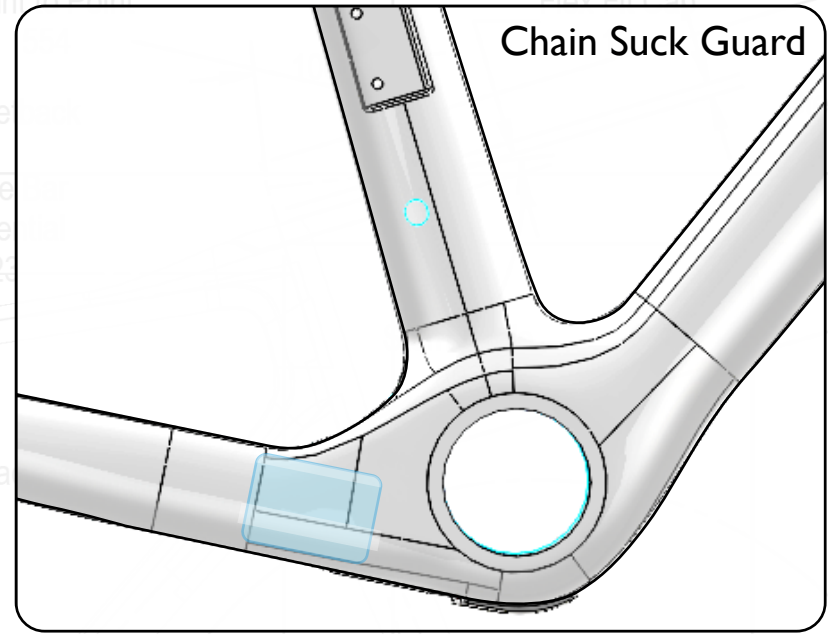
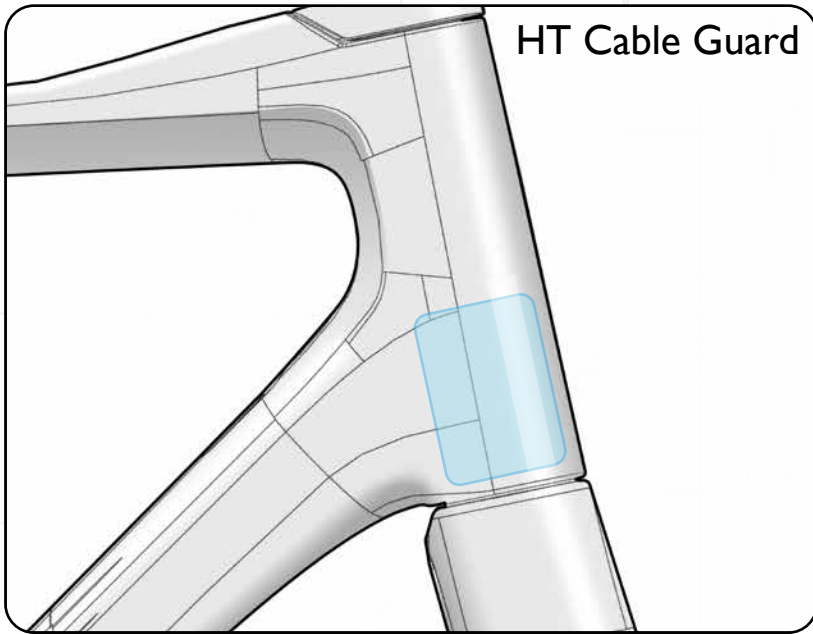
- Seattube Battery Electronic Wire: 650 mm
- Downtube Electronic Wire: 1000 mm
- Front Derailleur Electronic Wire: 300/400 mm
- Rear Derailleur Electronic Wire: 650 mm

STEP
19





Frame Armor Installation



Clean Surface

Use de - natured alcohol and lint free to clean surface

Instructions

Apply pressure from center outward.
Use hair dryer to remove guards