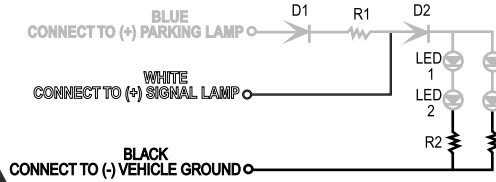




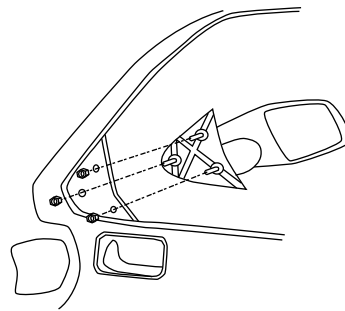
WWW.CHASSISTECH.COM

LED LITES REARVIEW MIRROR INSTALL



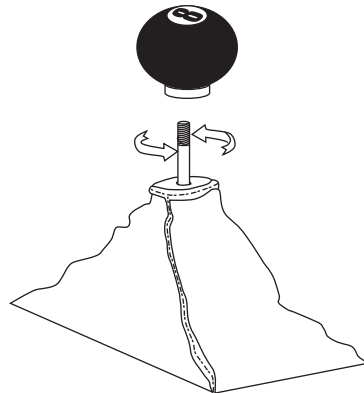
1. REMOVE FACTORY MIRROR, FOLLOWING OEM INSTRUCTIONS.
2. ATTACH SUPPLIED BASE PLATE TO SUPPORT SEAT OF MIRROR USING SCREWS PROVIDED. LOCATE POSITIONING OF BASE PLATE ON CAR AND ATTACH MIRROR ASSEMBLY TO BODY WITH SCREWS.
3. USING WIRING DIAGRAM, WIRE TOGETHER LIGHTS TO CORRESPONDING LEADS. BE SURE TO LEAVE TO WIRE EXPOSED AFTER CUTTING AND SPLICING.
4. IF YOUR MIRRORS ARE POWER CONTROLLED, REFER TO FACTORY WIRING DIAGRAM TO WIRE CONTROLS TOGETHER.
5. NOW PLACE INTERIOR COVER PLATE IN PLACE AND REASSEMBLE AND DOOR PANEL PIECES REMOVED PREVIOUSLY.
6. ADJUST MIRROR TO DRIVER'S NEEDS, EITHER MANUALLY OR ELECTRONICALLY.

STREET SMART MIRROR INSTALL



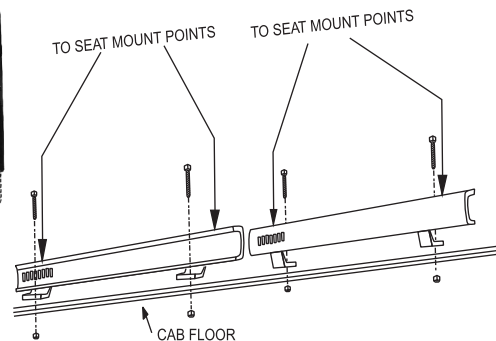
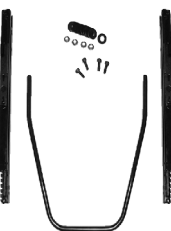
1. REMOVE FACTORY MIRROR, FOLLOWING OEM INSTRUCTIONS.
2. ATTACH SUPPLIED BASE PLATE TO SUPPORT SEAT OF MIRROR USING SCREWS PROVIDED. LOCATE POSITIONING OF BASE PLATE ON CAR AND ATTACH MIRROR ASSEMBLY TO BODY WITH SCREWS.
3. IF YOUR MIRRORS ARE POWER CONTROLLED, REFER TO FACTORY WIRING DIAGRAM TO WIRE CONTROLS TOGETHER.
4. NOW PLACE INTERIOR COVER PLATE IN PLACE AND REASSEMBLE AND DOOR PANEL PIECES REMOVED PREVIOUSLY.
5. ADJUST MIRROR TO DRIVER'S NEEDS, EITHER MANUALLY OR ELECTRONICALLY.

SHIFT KNOB INSTALL



1. REMOVE FACTORY SHIFT KNOB. REFER TO OEM INSTRUCTIONS FOR REMOVAL.
2. TAKE LID OFF SOAR SHIFT KNOB AND PLACE ON GEAR SHIFT. CHOOSE SHIM TUBE SIZE (8mm, 10mm, 12mm, or 14mm) AS NEEDED FOR SHIFTER POST.
3. PUT SHIFT KNOB ON SHIFTER POST. ADJUST POSITION AS DESIRED, THEN FIX WITH FITTING SCREWS PROVIDED.
4. TURN COUNTER-CLOCKWISE TO TIGHTEN LID WITH KNOB ONTO SHIFTER POST.

CUSTOM SEAT INSTALL



1. REMOVE FACTORY SEATS. BE SURE TO UN-CLIP ANY WIRING HARNESSSES THAT MAY GO INTO OR THROUGH SEATS. (HAVING THESE UNCLIPPED MAY TRIGGER A WARNING LIGHT, IT IS UP TO INSTALLER TO MAKE SURE ALL SAFETY FUNCTIONS REMAIN INTACT.)
2. IF YOUR APPLICATION HAD SEAT BRACKETS INCLUDED, THEN FIT THEM IN PLACE AND INSTALL USING ONLY GRADE 8 HARDWARE. (IF YOUR APPLICATION DID NOT HAVE BRACKETS, OR FOR YOUR SPECIFIC VEHICLE MODIFICATIONS ARE NEEDED, YOU MUST MAKE THEM AT THIS TIME.)
3. WITH SEAT ON FLAT SURFACE, USE SLIDER TO SLIDE ALL THE WAY BACK. NOW PLACE UP ONTO BRACKET AND INSTALL FRONT BOLTS. NOW SLIDE SEAT FORWARD AND INSTALL REARWARD BOLTS. NOTE: CHECK TO BE SURE SEAT SITS LEVEL FROM FRONT OF VEHICLE. IF NOT, ADJUST TO BE LEVEL AS DESIRED BY USER.
4. RE-ATTACH ANY WIRING GROUNDS OR HARNESSSES THAT WERE PREVIOUSLY ATTACHED TO FACTORY SEAT.
5. REPEAT STEPS 1-4 FOR OTHER SIDE.