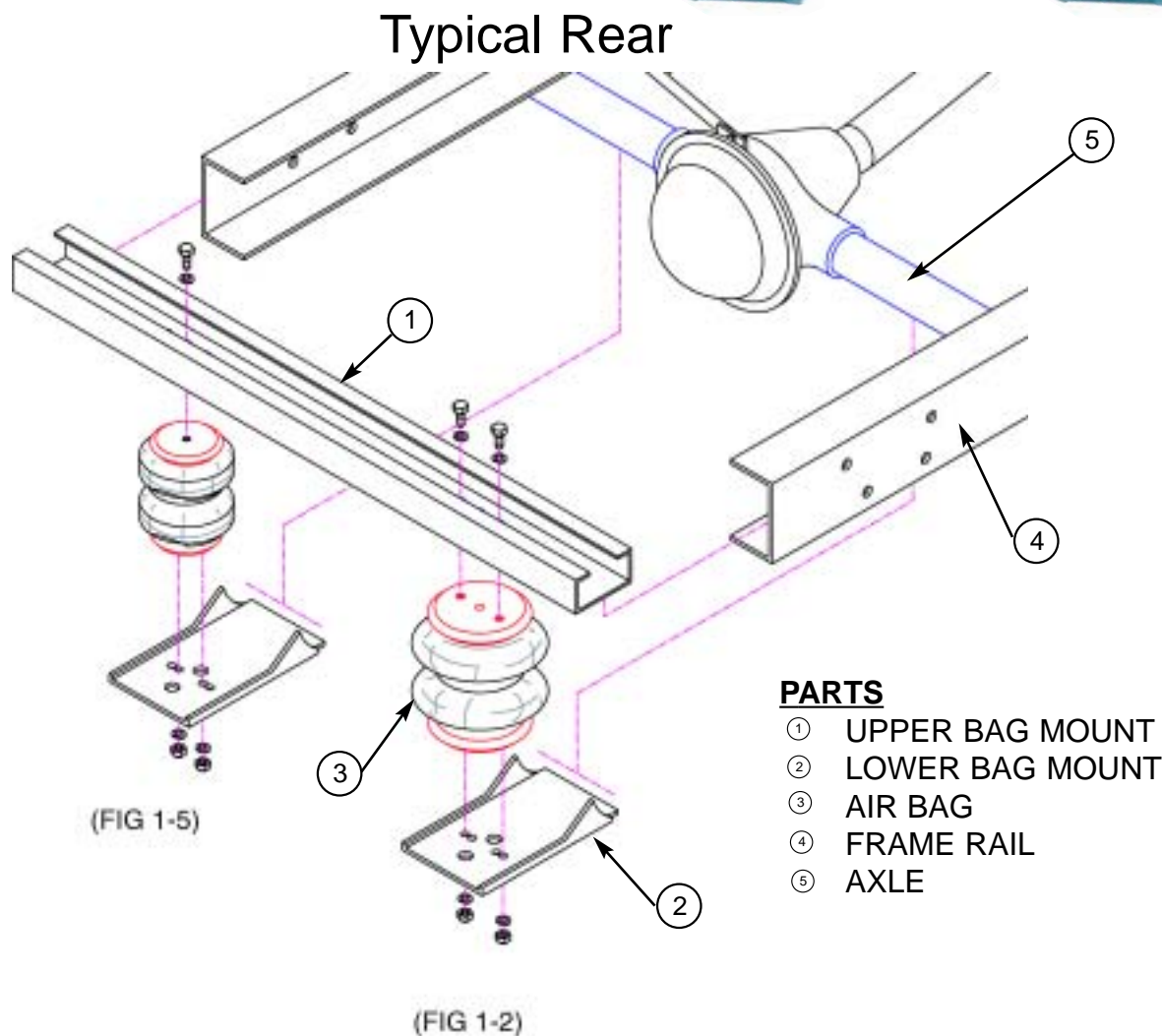


Typical Rear Air Bag Kit

Installation Instructions

(click on each image to purchase individual parts)



INSTRUCTIONS:

- 1) Your lower bag mount welds to the bottom of your axle or it may be flipped over and welded to the top of your axle depending on your height needs.
- 2) Your upper mounts must be cut from each end to fit your frame.
- 3) Once this is done align your upper bag mount with your lower bag mount and weld in place. Be sure that you air bag is removed and that your axle is centered before welding anything.