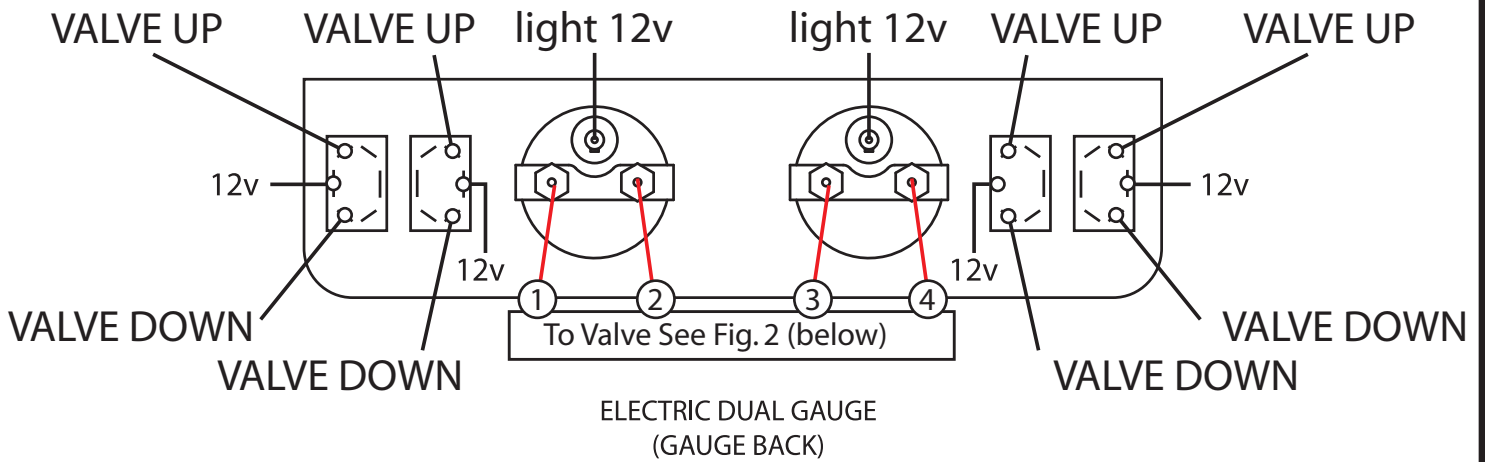
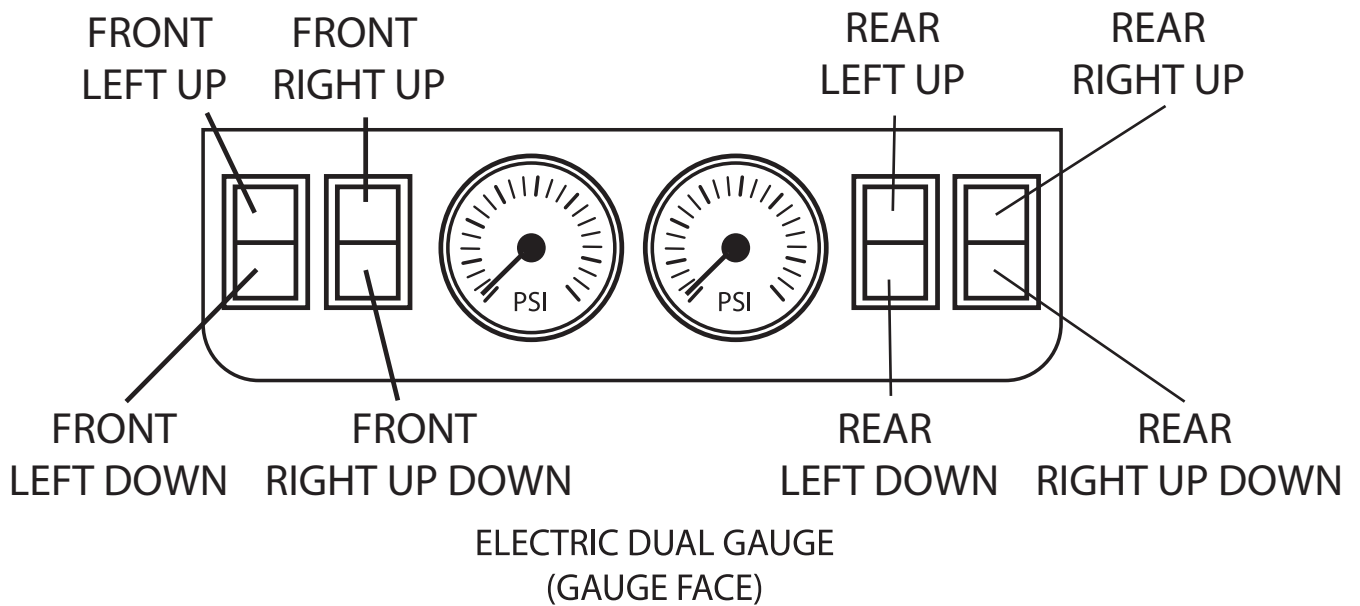


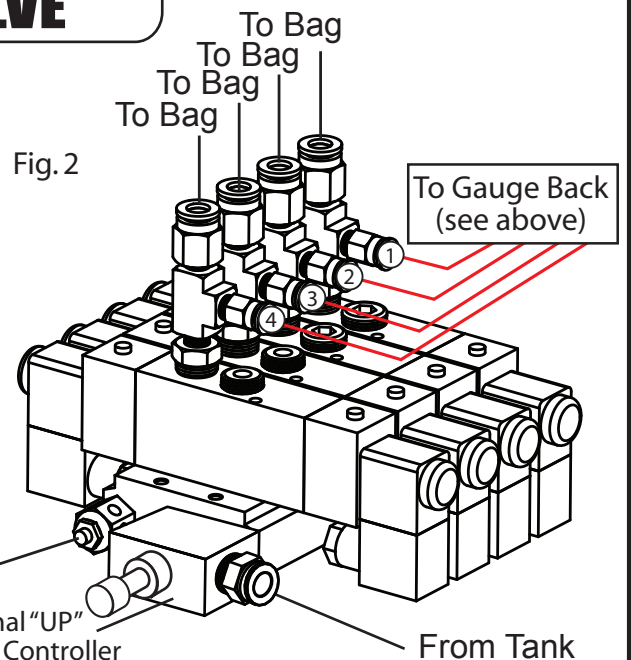
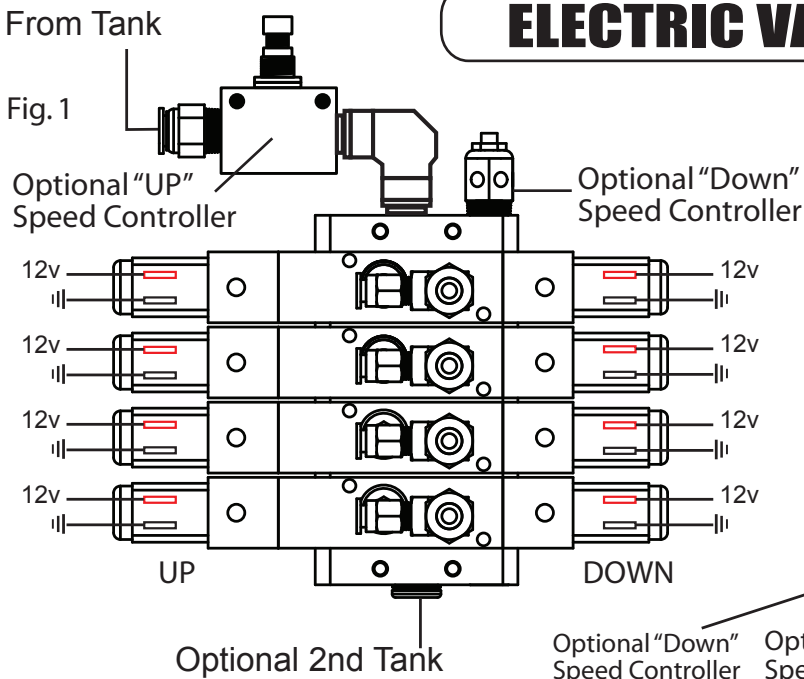
# ELECTRIC GAUGE INSTALL



Recommended Configuration:

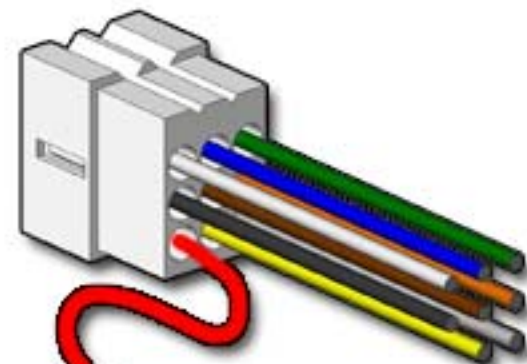


# ELECTRIC VALVE



GREEN - REAR RIGHT DOWN  
ORANGE - REAR RIGHT UP  
GREY - FRONT RIGHT DOWN  
BLUE - FRONT RIGHT UP  
BROWN - REAR LEFT DOWN  
YELLOW - REAR LEFT UP  
WHITE - FRONT LEFT DOWN  
BLACK - FRONT LEFT UP  
RED - +12V FOR NON PLUG N PLAY

FOR PLUG N PLAY  
CONNECT THE RED WIRE  
COMING OUT OF THE PLUG  
TO THE PRESSURE SWITCH  
AND THE RED WIRE COMING  
OUT OF THE LOOM TO +12V



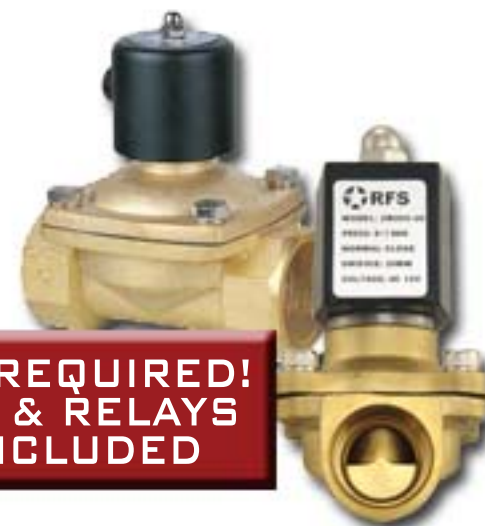
TO  
SWITCH  
BOX

TO  
PRESSURE  
SWITCH



**NO RELAYS REQUIRED  
VALVES NOT INCLUDED**

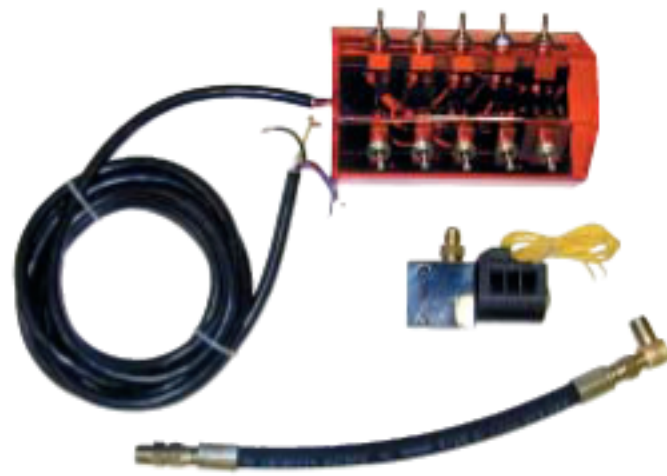
**RELAYS REQUIRED!  
VALVES & RELAYS  
NOT INCLUDED**



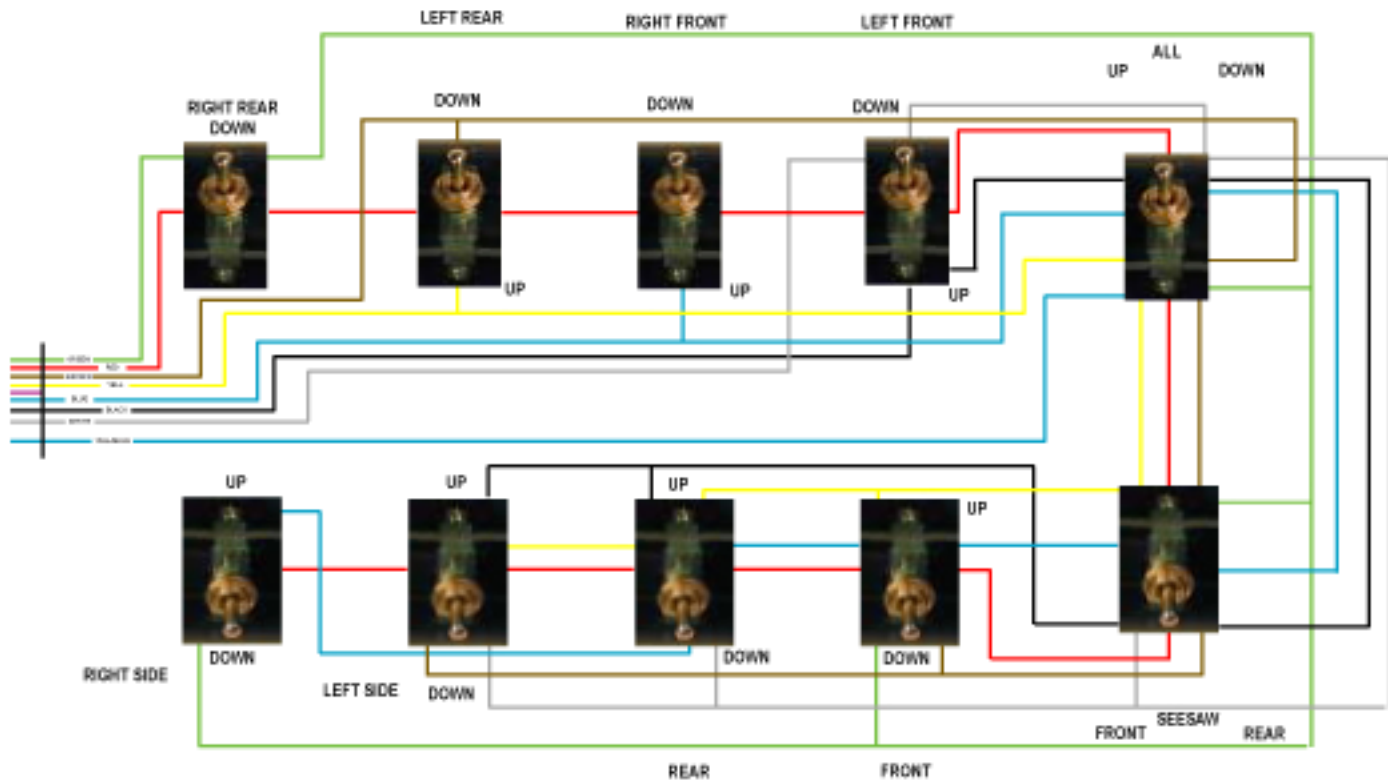
# Typical Switch Box

## Installation Instructions

(click on image to purchase parts)



View is from back side  
with cover off



1	BLACK	LEFT FRONT UP
2	RED	POWER
3	WHITE	LEFT FRONT DOWN
4	BLUE	RIGHT FRONT UP
5	WHT/GRN	RIGHT FRONT DOWN
6	YELLOW	LEFT REAR UP
7	BROWN	LEFT REAR DOWN
8	YELL/BLU	RIGHT REAR UP
9	GREEN	RIGHT REAR DOWN