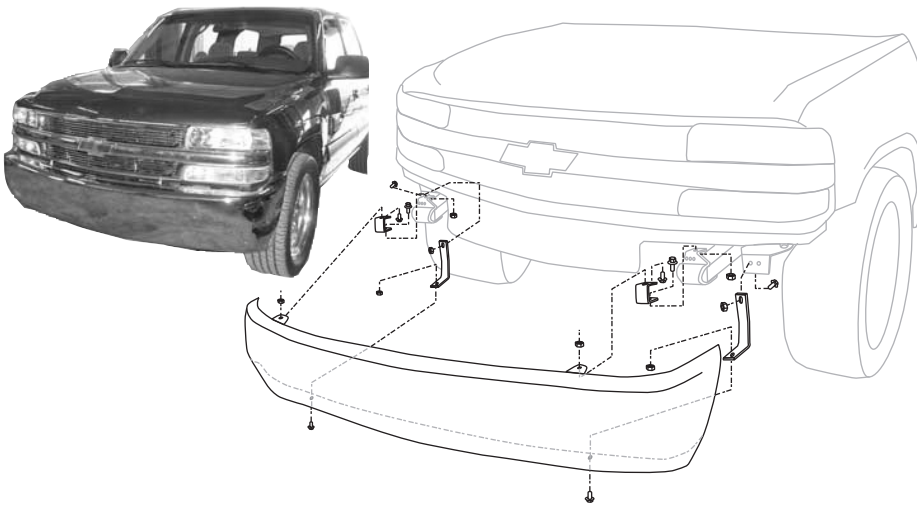
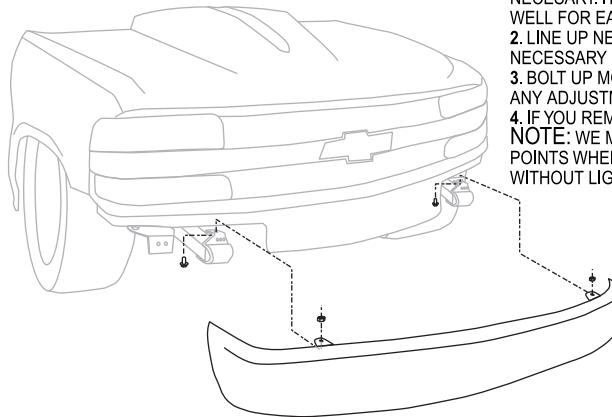


CHEVY SUPER BUMPER INSTALL



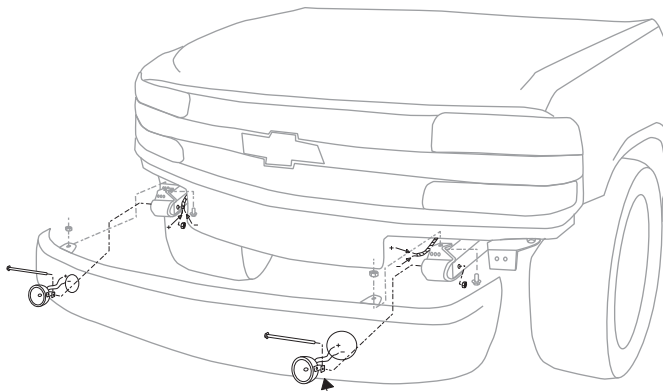
1. REMOVE FACTORY BUMPER AND ANY OTHER HARDWARE THAT NECESSARY. IT MAY BE NECESSARY TO REMOVE GRILL SHELL AS WELL FOR EASE OF INSTALLATION.
2. FIT "C" SHAPED BRACKETS AS INDICATED IN ILLUSTRATION. BOLT DOWN USING SUPPLIED BOLT, NUT, AND WASHERS. NOW TEST FIT "L" SHAPED BRACKETS TO BUMPER.
3. LINE UP BUMPER'S TOP INSTALL HOLE WITH UPPER "C" BRACKET. MARK WHERE LOWER "L" BRACKET MEETS TO FRAME HORN PLATE. IF NEAR FACTORY HOLE, USE THAT LOCATION TO INSTALL. OTHERWISE DRILL APPROPRIATE HOLE FOR BRACKET.
4. INSTALL LOWER "L" BRACKETS. LINE UP BUMPER TO ALL BRACKETS AND BEGIN BOLTING TOGETHER ALL BRACKETS. MAKE SURE BUMPER IS CENTERED AND LEVEL, THEN TIGHTEN DOWN ALL BOLTS.
5. IF YOU REMOVED GRILL SHELL, REINSTALL AT THIS POINT.

SMOOTHY BUMPER INSTALL



1. REMOVE FACTORY BUMPER AND ANY OTHER HARDWARE THAT NECESSARY. IT MAY BE NECESSARY TO REMOVE GRILL SHELL AS WELL FOR EASE OF INSTALLATION.
 2. LINE UP NEW BUMPER TO FACTORY INSTALL POINTS. MARK ANY NECESSARY CHANGES (IF ANY).
 3. BOLT UP MOUNTING POINTS USING FACTORY HARDWARE. MAKE ANY ADJUSTMENTS NEEDED TO CENTER BUMPER.
 4. IF YOU REMOVED GRILL SHELL, REINSTALL AT THIS POINT.
- NOTE:** WE MAKE EACH BUMPER APPLICATION TO FIT FACTORY POINTS WHERE POSSIBLE. THIS INSTALL APPLIES TO ANY BUMPER WITHOUT LIGHTS WE SELL.

BUMPER LIGHT INSTALL



BRACKET MAY NEED TO BE ADJUSTED OR FABRICATED

1. FIRST, WITH BUMPER OFF LOCATE AUXILIARY LIGHT WIRES USING OWNER'S MANUAL AND WIRE-TESTER. FIND BOTH POSITIVE AND NEGATIVE WIRES. (YOU MAY ALSO HAVE TO INSTALL A FOG LIGHT SWITCH IF YOU WANT BUMPER LIGHTS ON SEPARATE SWITCH.
2. TEST FIT BUMPER TO TRUCK. USING LOCATION OF LIGHT HOLE, FIND LOCATION OF WHERE YOU SHOULD MOUNT BRACKET ON LIGHT. IF SUITABLE LOCATION CAN NOT BE DETERMINED YOU MAY NEED TO ADJUST THE BRACKET, OR MAKE YOUR OWN BRACKETS. TRY NOT TO MOUNT LIGHTS TO BUMPER, AS WEIGHT OF LIGHT MAY DISTORT METAL WHEN BOUNCING UNDER HARSH DRIVING CONDITIONS.
3. IF NEEDED, DRILL HOLE TO MOUNT BRACKET TO DESIRED LOCATION. USING SUPPLIED WASHERS, BOLT, AND NUT FASTEN LIGHT TO BRACKET.
4. WIRE LIGHT TO CORRECT POSITIVE AND NEGATIVE WIRES, TEST LIGHT BY SWITCHING ON AND OFF. WATERPROOF CONNECTION USING WATERPROOF WIRENUTS AND WRAPPING IN ELECTRICAL TAPE OR HEAT SHRINK TUBING.
5. REPEAT FOR OTHER LIGHT STEPS 1 - 4.