

Kwik-Stik Wall Guard Molding

MODEL #
KSMLD03
KSMLD04
KSMLD05



Installation Instructions

FOR KWIK-STIK EDGE MOLDING

Kwik-Stik Wall Guard Edge Molding

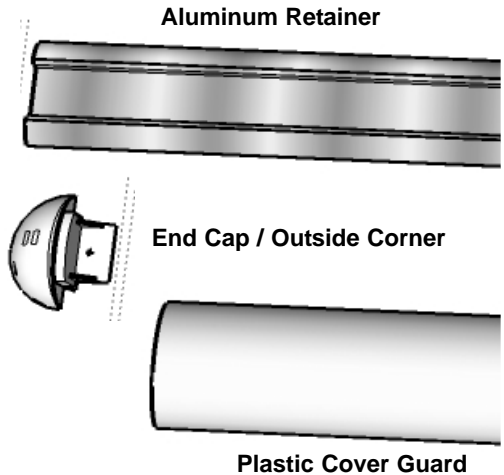
Thank you for purchasing our Wall Guard Edge Molding from Resilite. Please read the instructions completely prior to beginning installation. It is important to pre-plan the molding to be installed. Carefully determine if you have any obstructions that may interfere with your installation. Should you have any questions, or need technical assistance please call 1-800-THE-MATS (1-800-843-6287) Mon - Fri - 9:00am - 5:00pm EST.

(NOTE: These instructions are provided as a guideline to assist you during the installation process. Careful attention to detail and these instructions will enable fast and easy attachment of your Wall Guard Edge Molding.)

Installation Tools:

YOU WILL NEED TWO PEOPLE AND THE FOLLOWING TOOLS:

- Pencil
- Level
- Framing Square
- Chalk line
- Tape Measure
- Electric or Cordless Drill
- 1/4" masonry bit
- 1/4" wood drill bit
- 3/16" metal drill bit
- P-3 phillips head driver bit
- Safety Glasses
- Hand Saw or Circular Saw with wood blade
- Power Miter Saw with (Non-ferrous metal blade)
or Hacksaw for cutting aluminum retainer
- Miter Box
- 2-1/2" Drywall or Tapcon Screws to attach the
wood backing strips (supplied) and aluminum retainer to the wall
- Small can of contact cement
- Construction Adhesive

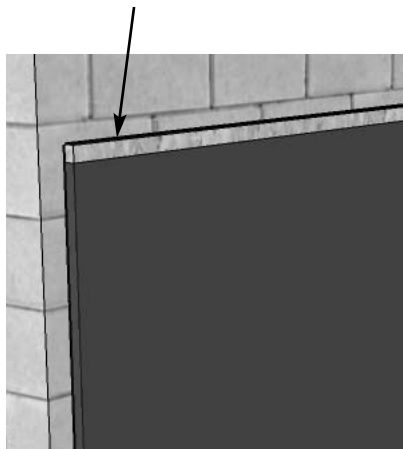


STEP 1

Determine the placement and overall length of the supplied wood backing strips to be used above the Kwik-Stik Wall Padding. Using Construction Adhesive begin by attaching the wood strip to the wall. Be sure to keep the wood level and resting directly above the Wall Padding.



Determine Placement of Wood Backing
Be sure to level across the wall.



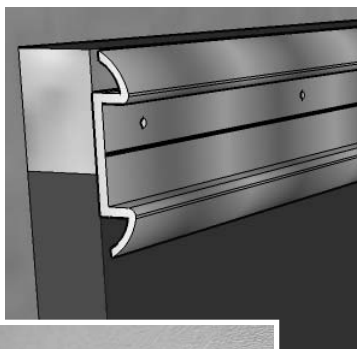
STEP 2

Cut the Aluminum Retainer to length.

1) Begin by predrilling the Aluminum Retainer every 24". Predrilled holes should be placed mid-way between the center and the top. (see photo).

2) Position the Aluminum Retainer flush with the top of the wood strip. Aluminum should overlap the top edge of the Wall Padding by approximately 1-1/4".

3) Attach the Aluminum Retainer to the wood strip and wall using Tapcon® or other appropriate screws for the wall surface. Be sure the screws are long enough to properly secure the Aluminum Retainer AND the Wood Backing Strip to the wall. (Screws should be approx. 2-1/2" long)

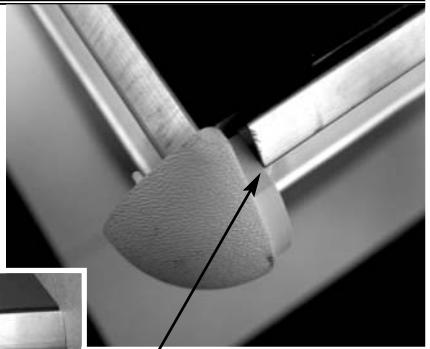


STEP 3

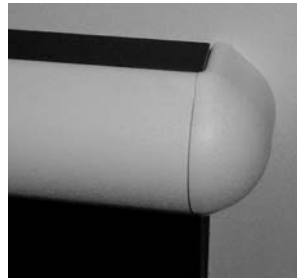
END CAPS / OUTSIDE CORNERS

1) It is important to deduct 1/4" to the overall Aluminum Retainer length for End Caps and Outside Corners. (See Photo) NOTE: Aluminum Retainer should run FLUSH to the corner on one side and 1/4" shy on the other.

2) Attach End Caps / Outside Corners by aligning the End Cap / Outside Corner with the end of the Alum. Retainer and securing in place.

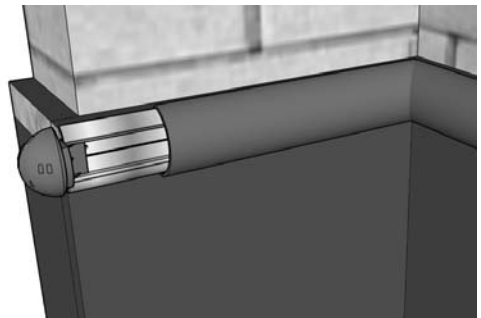
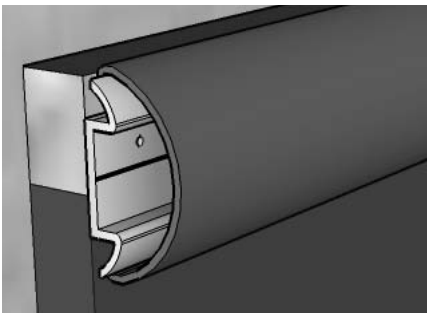


Aluminum Retainer should be 1/4" less than overall length to allow room for the End Cap / Outside Corner to be attached.



STEP 4

Cut the Plastic Cover Guard to the proper length. Inside corners should be mitered at a 45-degree angle. Align the cover with the top of the aluminum retainer and snap the cover onto the bottom section of the retainer.



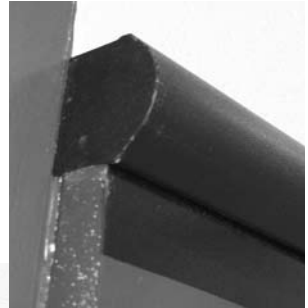
Flat End Caps

If you have purchased Flat End Caps, it may be necessary to attach a Flat End Cap in areas where a traditional End Cap will not work.

STEP 1: Carefully apply small amount of contact cement or Crazy Glue® to the edge of the molding profile and to the outside surface of the wood backing and padding. Be careful not to apply glue lower than bottom edge of the Alum. Retainer.

STEP 2: If using Contact Cement - apply a small amount around the outside edge of the Flat End Cap and to the back side of the end cap (closest to the wall)

STEP 3: Carefully position the Flat End cap in place as shown in photo.





Care & Maintenance of your Molding

Resilite Wall Guard Moldings require the same care as any other housekeeping item. Regular cleaning will keep your material looking new for many years!

1: Light soil, crayon, blood and other mild staining can be removed using a Mr. Clean® Magic Eraser™ with water and a mild household cleaner suchh as Fantastik®, Formula 409® or Dawn® dishwashing detergent.

2: Stubborn stains such as ball point pen, permanent marker, and shoe scuffs can be removed by using denatured alchol or isopropyl alcohol in addition to a Mr. Clean® Magic Eraser™. When using alcohol products, care must be taken not to mar the surface. Always scrub briskly with the grain of the molding. Follow with soap and water to remove residue.

3: Do not use steel wool, or other abrasive cleaning pads such as Brillo®, Scotch-Brite™ or S.O.S.® pads as they will permanently mar the surface and may also damage the wall padding.



PO Box 764, Sunbury PA 17801

Call Toll Free: **1-800-THE-MATS** or **1-800-843-6287**

Fax: (570) 473-8988 • E-mail: resilite@resilite.com

Web Site: www.resilite.com