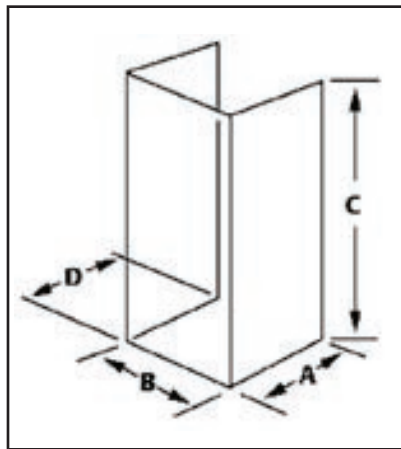
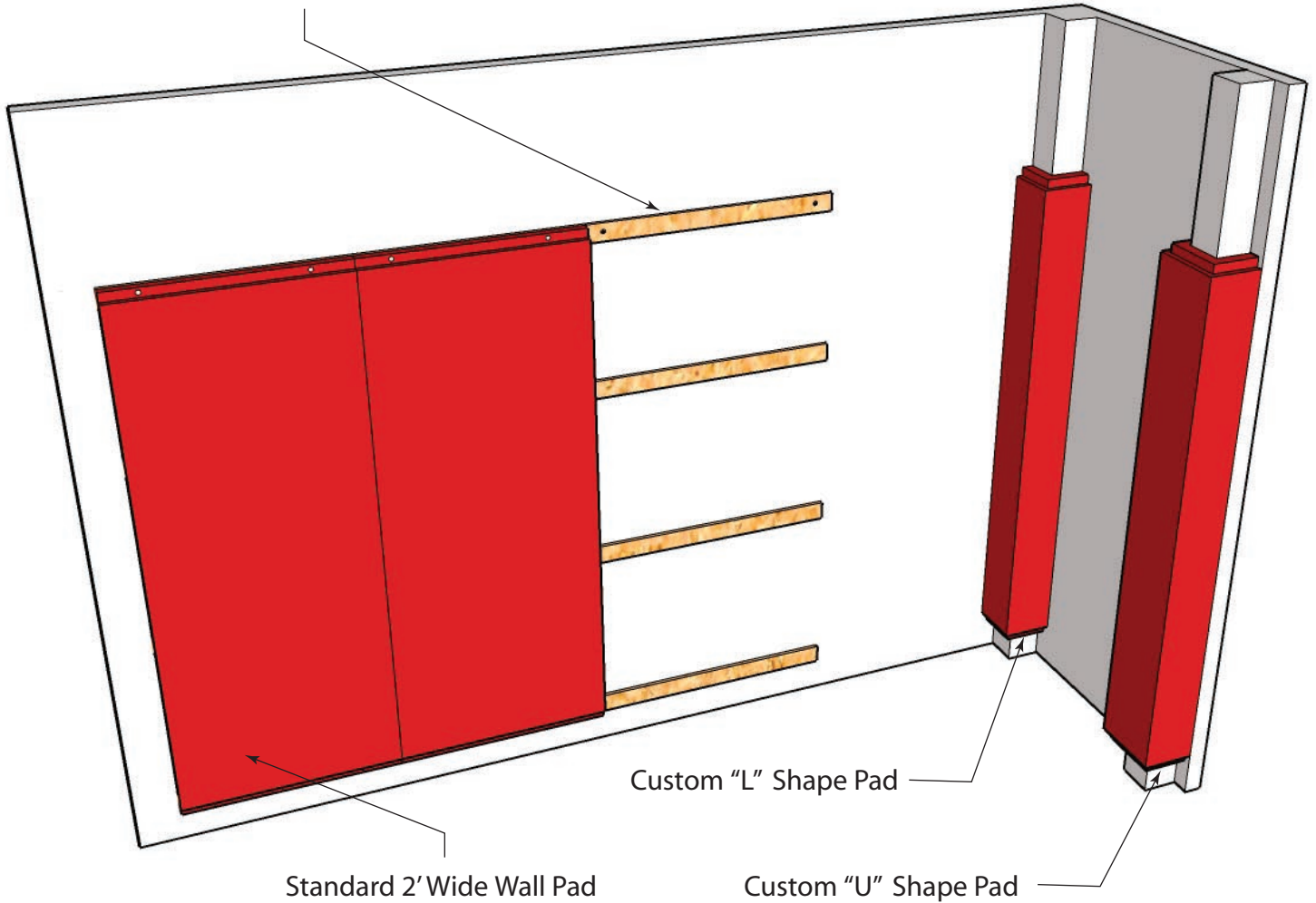
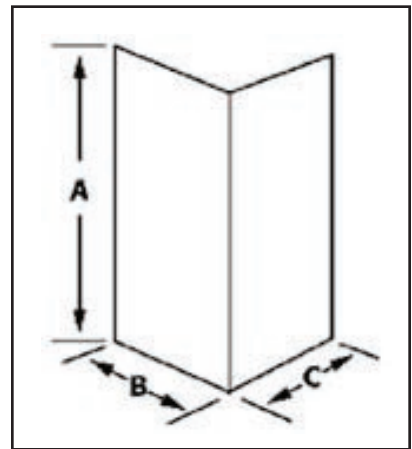


INSTALLATION: Conventional

Optional 1" x 3" Furring Strip
(to be provided by G.C. / Others)



Custom "U" Shape Pad



Custom "L" Shape Pad



Wainscot Wall Pads and Custom "L" / "U" Pads

RESILITE SPORTS PRODUCTS, INC., PO Box 764, Sunbury, PA 17801-0764
EMAIL: RESILITE@RESILITE.COM PH: 1-800-843-6287 FX: 570-473-8988 WEB: RESILITE.COM