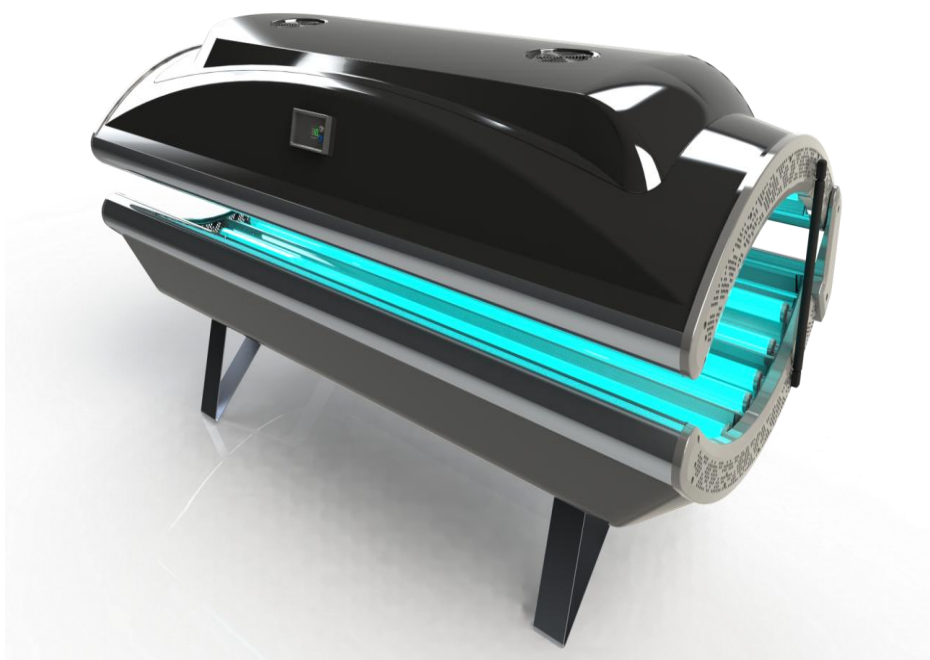


Solar Wave



Residential
User Manual

**Solar Wave Residential Tanning System(MFD
by Sunshine USA) Warranty**

**Sunshine USA warrants all of our indoor tanning equipment to be
free from defects in workmanship as follows:**

**12 months electrical parts, 6 months acrylic, 90
days gas springs, 90 days lamps, 30 days labor**

Sunshine USA's obligation under this warranty is limited to the repair and/or replacement of any defective part without charge for that part, at Sunshine USA's discretion, with the following limitations:

This warranty is extended only to the original purchaser appearing on the sales receipt and is non-transferable.

This product is designed for indoor use by one person at a time. Maximum Wt. limit 300 lbs
Only original Sunshine USA replacement parts may be used.

All major repairs must be completed by an authorized Sunshine USA service rep.

This warranty does not cover transportation charges on warranty replacement parts.

Labor costs are not reimbursable for repair or replacement of items.

Sunshine USA disclaims any responsibility for transportation. Sunshine USA further disclaims any responsibility for injury resulting from the failure of equipment or parts manufactured by Sunshine USA due to incorrect installation or operation. Sunshine USA shall not be liable for loss or damages caused either directly or indirectly from the use of its products. This limited warranty does not extend to any products which have been damaged as a result of accident, misuse, abuse, or as a result of service or modification by anyone other than an Sunshine USA representative.

This warranty does not apply to any failure of parts or products due to alterations, modifications, misuse, abuse, accidents, improper maintenance, or failure to follow the specified electrical requirements. Such occurrences immediately VOID this warranty. THIS WARRANTY IS EXPRESSLY IN LIEU OF ALL OTHER WARRANTIES, EXPRESSED OR IMPLIED, INCLUDING THE WARRANTIES OF MERCHANTABILITY. No person, firm, or corporation is authorized to assume for us any other liability in connection with the sale of these goods

**USE OF THIS PRODUCT IN A COMMERCIAL TANNING FACILITY OR FOR
PROFESSIONAL AND MEDICAL SERVICES AUTOMATICALLY RESULTS IN**

THE VOIDING OF ANY AND ALL MANUFACTURER'S WARRANTIES!

***THIS PRODUCT IS IN CONFORMITY WITH PERFORMANCE STANDARDS FOR
SUN LAMP PRODUCTS PER 21CFR878.4635 AND 21CFR1040.20. AS A RESULT,
THIS PRODUCT MUST ONLY BE USED IN CONJUNCTION WITH 21CFR1040.20
APPROVED EYE WEAR AND COMPONENTS.***

Serial numbers are located on the back of the bench.

Intended use statement: The Sunshine USA manufactured tanning beds and booths are indicated for the tanning of human skin via ultraviolet light.

DANGER--Ultraviolet radiation. Follow instructions. Avoid overexposure. As with natural sunlight, overexposure can cause eye and skin injury and allergic reactions. Repeated exposure may cause premature aging of the skin and skin cancer. WEAR PROTECTIVE EYEWEAR; FAILURE TO MAY RESULT IN SEVERE BURNS OR LONG-TERM INJURY TO THE EYES. Medications or cosmetics may increase your sensitivity to the ultraviolet radiation. Consult physician before using sunlamp if you are using medications or have a history of skin problems or believe yourself especially sensitive to sunlight. If you do not tan in the sun, you are unlikely to tan from the use of this product.

Persons under the age 18, the elderly, or fair skinned people who always burn easily and either never tan or tan minimally, should not use this equipment.

To use, lie down on bench and pull canopy down as far as adjustment will allow maintaining at least 2 inches (5.1 centimeters) between your body and canopy, to avoid overexposure.

This product complies with 21CFR878.4635 and must only be used in conjunction with 21CFR1040.20 approved eyewear and components.

Congratulations

Thank you for choosing Solar Wave for your tanning pleasure. This tanning bed is designed to give you many years of dependable, trouble-free enjoyment in the comfort of your own home.

This product complies with 21CFR878.4635 and must only be used in conjunction with 21CFR1040.20approved eyewear and components.

Please read entire manual before attempting to operate this tanning unit!

Safety Information

Label Notice: Review the information on each warning label located on the front of your sunbed.

Tan smart and avoid overexposure. If you do not tan in the sun, you will not tan from this product. As with natural sunlight, overexposure can cause eye and skin injury and allergic reactions. Allow 48 hours between sessions. To ensure optimum smart tanning, please refer to the recommended exposure time chart. (Refer to Table of Contents.)

Use of certain medications or cosmetics may increase your sensitivity to the ultraviolet radiation. Consult your physician before using any tanning bed if you are using medications or have a history of skin problems or believe you are sensitive to sunlight.

Recommended eyewear: Provided eyeshields or equivalent eyewear as defined under 21CFR1040.20 must be worn during tanning session. Protective eyewear should be worn by all persons in the room when lamps are on. Failure to wear protective eyewear during each tanning session may result in severe burns or long-term injury to the eyes.






Disconnect power cord before attempting to clean, re-lamp, or engage in the maintenance of this product. This equipment must be earth grounded.



DO NOT operate the tanning bed outdoors, while wet or near water.

Solar Wave Tanning Bed Specifications/Info

Model	Size HxWxL”	Weight (lbs.)	Voltage (Volts)	Amps (Rated)	Dedicated Breaker Amps	NEMA Receptacle		Fans	Timer*
Solar Wave 16	51x32x76	175	120	15	15	5-15R		N/A	Digital
Solar Wave 24 120v	51x32x76	188	120	20	20	5-15R		N/A	Digital
Solar Wave 24 220v	51x32x76	188	220	20	20	6-20P		N/A	Digital

**When Using your Solar Wave Sunbed, it
should be the ONLY electrical device
operating on that circuit breaker.**

***Maximum Session Time**

**Refer to exposure schedule label
on your Sun Bed.**

Location Requirements

Make sure the room is well ventilated. Air from the room is used to cool your tanning bed, which helps to ensure years of trouble free performance. Poor ventilation may cause the unit to overheat and cause discomfort to the user as well. Place your tanning bed no closer than one foot from any wall. Be sure that curtains, drapes, and other room furniture is not obstructing the airflow into the end caps of the bed.

Unpacking Instructions

Your tanning bed comes in two cardboard cartons, one for the bench, and one for the canopy. Remove the bench and canopy from the boxes. The canopy box contains: the canopy unit. The bench box contains: bench unit, users manual and a hardware kit box containing legs, arms, safety goggles and assembly hardware. Inspect the items, including canopy and bench, for any visible damage.

Assembly Instructions

(Proper assembly of your tanning bed requires two people.)

Parts List

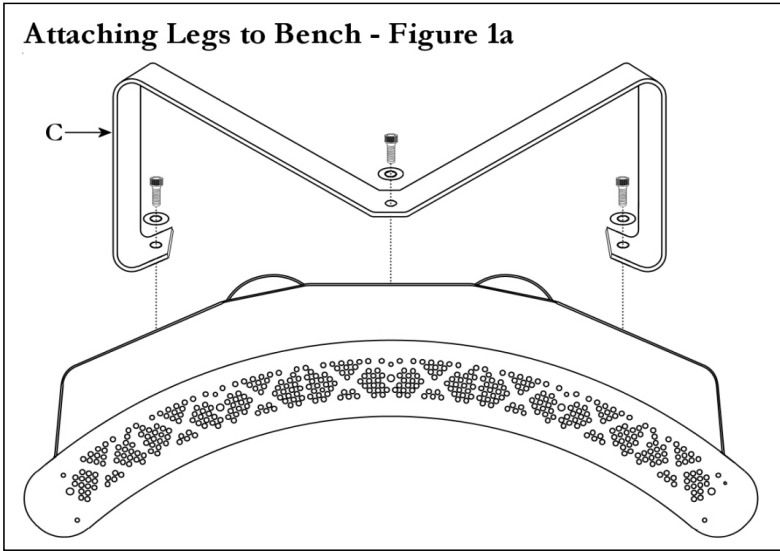
Item	Description	Quantity
A	Left Arm	1
B	Right Arm	1
C	Bench Leg	2
D	Gas Shocks	2
E	5/16 x 1 ½ Allen Bolt	2
F	5/16 x 1" Allen bolt	8
G	Allen Wrench	1

Included Hardware

G. Allen Wrench



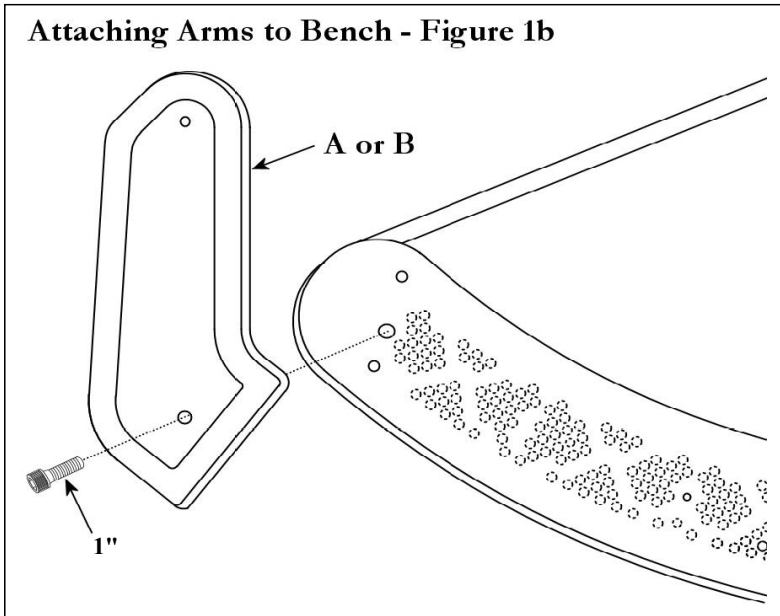
Attaching Legs to Bench - Figure 1a



Attaching Legs to Bench – Figure 1a

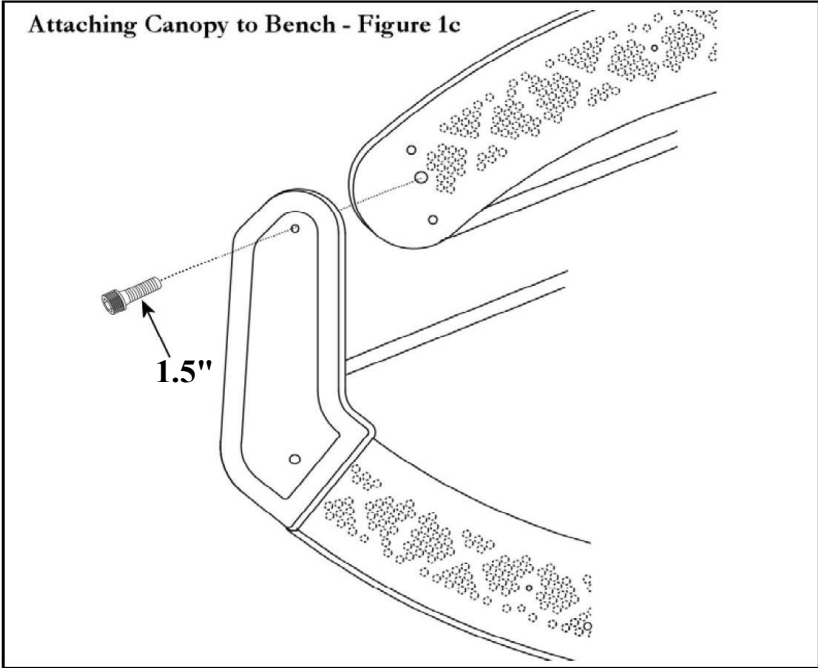
- Step 1. Lay the bench upside down on a soft material (i.e. carpet) (Figure 1a). Attach the legs using the supplied washers and the 5/16 x 1" allen bolts. Use the allen wrench (I) to tighten.
- Step 2. Turn bench right side up on floor. Place so that the power cord connection is facing your wall outlet.
- Step 3. Attaching Arms to Bench – Figure 1b

Attaching Arms to Bench - Figure 1b



Attaching Arms to Bench – Figure 1b

Attach the left arm (A) and the right arm (B) with the two allen bolts (1") to the bench (Figure 1b). Use the allen wrench (I) to tighten. Do not over tighten, doing so may cause damage.

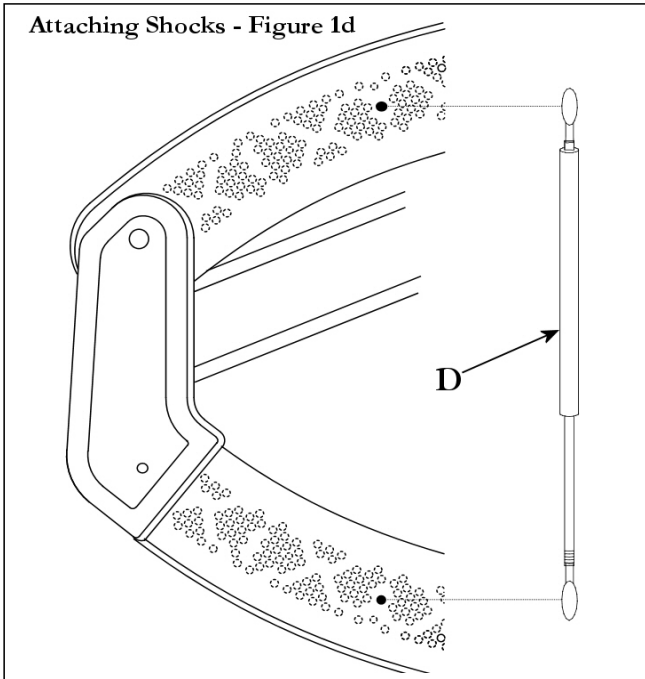


Attaching the Canopy to Bench – Figure 1c

Note: To make attaching the canopy to the bench easier, you may want to place some of the packing foam from the carton across the bench rails to protect the acrylic and support the weight of the canopy when attaching it.

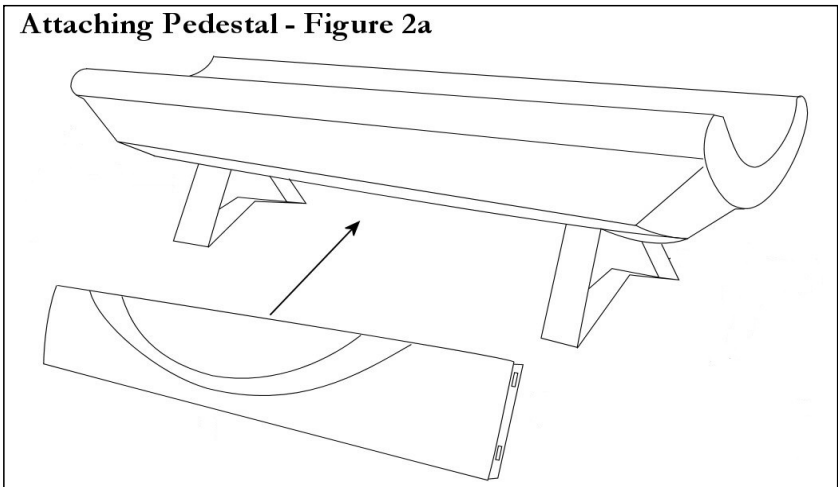
- Step 1. Two people are required for this step. Before lifting the canopy over the bench for placement, it is much easier to have the allen bolt ready in hand.
- Step 2. With one person at each end of the canopy unit, lift up the canopy above the bench and align the allen bolt holes from the canopy with the arms. Slip the allen bolt (1.5") through the aligned holes. Tighten bolt with the allen wrench. To avoid damaging the threaded inserts, do not over tighten.

Do NOT lower canopy until both gas shocks have been installed



Gas Shock Directions – Figure 1d

- Step 1. While holding the gas shock, barrel end up, snap the ball end socket onto the top ball end of the canopy by pushing into place.
- Step 2. Lift the canopy to the maximum open position and snap the ball end socket onto the bottom ball end of the bench by pushing into place. Repeat for the second gas shock.



Assembling Pedestal (Equipped Models)

The pedestal is designed to cover the underside area and legs of the tanning bed.

Making the Electrical Connections – see electrical requirements.

(Refer to table of contents.)

WARNING! Be sure electrical power is disconnected before connecting the canopy to bench cables.

Step 1. Connect the canopy to the bench power cord located on the back of the unit.

Step 2. Plug the three-prong 120V AC power cord into a 20 Amp dedicated outlet. Beds with 16 lamps or less require a 15 Amp Dedicated outlet.

NOTE: IT IS BEST TO UNPLUG THE TANNING BED WHILE NOT IN USE. DO NOT CONVERT THE POWER CORD TO A TWO PRONG CORD OR USE ANY EXTENSION CORD.

AS RECOMMENDED FOR ALL ELECTRICAL APPLIANCES, THIS TANNING BED SHOULD NEVER BE OPERATED OUTSIDE AND NEAR WATER OR WHILE YOU ARE WET.



Pre-Tanning Guidelines



This tanning bed is designed for indoor use and one person at a time, not weighing more than 300 lbs.

Your Skin

Before tanning, be sure your skin is free of any tanning oils or lotions (except those approved for indoor tanning use), body lotions or cosmetics. Cosmetics or medications applied to your skin may increase your sensitivity to ultraviolet light. If you are taking any medication, or if you are especially sensitive to sunlight, we recommend that you consult a physician before using this or any tanning equipment. It is also recommended that you not bathe immediately before using this tanning bed as it removes natural body oils which protect your skin.

Your Eyes

21CFR1040.20 approved eye goggles are provided with this tanning bed and must be worn whenever the tanning bed is operating. **Regular sunglasses do not adequately protect your eyes from ultraviolet light.**

Eyewear that is 21CFR1040.20 approved should be worn while tanning and by everyone in the room while the tanning bed is in operation.

THIS PRODUCT IS IN CONFORMITY WITH PERFORMANCE STANDARDS FOR SUN LAMP PRODUCTS PER 21CFR878.4635 AND 21CFR1040.20. AS A RESULT, THIS PRODUCT MUST ONLY BE USED IN CONJUNCTION WITH 21CFR1040.20 APPROVED EYE WEAR AND COMPONENTS.

Determine Your Exposure Schedule

Determine the correct exposure time according to your model and skin type. Refer to exposure schedule on your Sun bed label.

Recommended Exposure Times: 20 min max times shown in Minutes				
Skin Type:	Week 1	Week 2	Week 3	Week 4
I. Sensitive skin: burns easily and severely, does not tan	Not recommended for tanning!			
II. Light: burns easily and severely, tans minimally	4	6	8	10
III. Normal: burns moderately, tans average	6	8	11	15
IV. Dark: burns minimally, tans easily and above average	8	11	15	20
MAXIMUM EXPOSURE TIME IS 20 MINUTES				

Recommended Exposure Times: 15 min max times shown in Minutes				
Skin Type:	Week 1	Week 2	Week 3	Week 4
I. Sensitive skin: burns easily and severely, does not tan	Not recommended for tanning!			
II. Light: burns easily and severely, tans minimally	4	6	9	12
III. Normal: burns moderately, tans average	6	8	10	13
IV. Dark: burns minimally, tans easily and above average	8	10	12	15
MAXIMUM EXPOSURE TIME IS 15 MINUTES				

ALLOW 48 HOURS BETWEEN ALL TANNING SESSIONS!

Using the Sunbed

- Step 1. Review your timer and exposure schedule as outlined in the preceding sections.
- Step 2. If using indoor tanning lotion, apply before getting into the bed. Your ESB Authorized Dealer can assist you with the proper tanning lotion for your skin type.
- Step 3. Put on 21CFR1040.20 approved eyewear.
- Step 4. Activate the timer according to the applicable instructions.
- Step 5. Lift canopy. Lie down on the bench (face up). For best results, position the canopy as close to you as unit allows. When the timer reaches 0, the lamps will automatically shut off. To end the session before your pre-set time, simply raise the canopy and step out of the tanning bed.
- Step 6. Return the canopy to the upright position before attempting to sit up.

Timer Instructions



Timer Session Control

To start a session, press the Set Button on the timer. The time will go to the maximum time then count down. The lamps will turn automatically. You can decrease the time by pressing the Set Button.

To cancel a session, press the Start/Stop button on the timer. The display will go to a 0.

Caring For and Maintaining Your Tanning Bed

THE TANNING BED SHOULD BE COMPLETELY SHUT DOWN AND UNPLUGGED FROM POWER SOURCE AT LEAST TWO (2) FULL HOURS BEFORE ANY CLEANING OR MAINTENANCE TO ALLOW THE TANNING BED TO ADEQUATELY COOL DOWN!!!!

Cleaning and Acrylic Maintenance

IT IS RECOMMENDED TO CLEAN ACRYLIC AFTER EVERY USE TO ENSURE CAREFREE OPERATION AND TO MAXIMIZE ITS TANNING EFFICIENCY. THE ACRYLIC SHOULD BE CLEANED WITH A NON-ABRASIVE DISINFECTANT THAT DOES NOT CONTAIN AMMONIA AND/OR ALCOHOL. DO NOT USE COMMERCIAL CLEANERS SUCH AS WINDEX® OR 409®.

**USE OF AMMONIA AND/OR ALCOHOL ON YOUR ACRYLICS
WILL VOID THE WARRANTY!**

Take the following steps to maintain your acrylic:

- ☒ When cleaning the tanning bed, use a cotton towel which is much less abrasive than a paper towel. Never wipe with a dry cloth, as this will generate a slight static, which attracts dust.

Do not use oils of any kind or lotions when tanning, except those specifically intended for indoor tanning use. Products not approved for indoor use could damage the acrylic finish.

In order to keep the acrylic from being scratched, jewelry should not be worn while tanning.

Acrylic Removal

Canopy and Bench Acrylic Removal



Warning! *Disconnect bed from electrical power before servicing!*

- Step 1. Stand in front of bed. Using a small, flathead screwdriver, insert the flat head into either end of the black acrylic trim strip. Pry up slowly to grasp edge of strip and continue to pull away from unit until it is completely removed. Repeat procedure for second strip of acrylic trim.
- Step 2. It may be necessary to slightly *loosen* the end cap screws to help remove the acrylic. **NEVER REMOVE END CAP SCREWS!**
- Step 3. With the flathead screwdriver, pry the acrylic up and over the lip in the bed rail. It is recommended you have two people to remove acrylics. Begin by grasping the long edges of the acrylic which are now exposed.
- Step 4. Standing in front of the bed, grasp the long exposed edge of the acrylic and carefully slide it toward you until it is removed. **BE CAREFUL** – the edges of the acrylic may be sharp.

Acrylic Re-installation

- Step 1. Place acrylic back on bed. Tighten end cap screws.
- Step 2. Take one end of the black acrylic trim and press firmly onto the aluminum frame pushing into the opening. The longer flat edge of the trim must be against the top of the acrylic.
- Step 3. Place the palm of your hand on the trim, and apply pressure along the edge until the trim is firmly in place.

Canopy (Optional Grid) Removal

- Step 1. Stand in front of bed. Using a small, flathead screwdriver, insert the flat head into either end of the black acrylic trim strip. Pry up slowly to grasp edge of strip and continue to pull away from unit until it is completely removed. Repeat procedure for second strip of acrylic trim.
- Step 2. It is recommended that you have two people remove the wire grill. Begin by grasping the long edges of the wire canopy which are now exposed.

Step 3. Standing in front of the bed, grasp the long exposed edge of the wire grill and carefully slide it toward you until it is removed.

Canopy (Optional Grid) Re-installation

Step 1. Place grill back onto bed.

Step 2. Take one end of the black acrylic trim and press firmly onto the aluminum frame pushing into the opening. The longer flat edge of the trim must be against the top of the grill.

Step 3. Place the palm of your hand on the trim, and apply pressure along the edge until the trim is firmly in place.

Lamp Removal & Re-installation

ESB Lamps are rated up to 1000 hours of use. You may elect to change lamps sooner.

Step 1. After removing acrylics or grid, grasp a lamp at one end and at middle. Turn the lamp a quarter turn. The lamp may then be gently removed from its holder.

Step 2. Hold lamp with brand name label facing toward the acrylic and to the left side of the bed. To install the lamp, insert the pins located on the ends of the lamp into the slots on top of the lamp holder and turn the lamp a quarter turn to hold in place.

For lamp replacement, refer to “Lamp Cleaning” section to follow. Lamps used longer than 1000 hours have lost their tanning power even though they will continue to light.

Only the following lamps may be used in ESB tanning beds:

Refer to label on Sun Bed.

1704 SunFusion Dual FT (20 min)

1705 SunFusion Dual BT(20 min)

1704 Sunfusion Wolff(20 min)

2393 Sunfusion CC(20 min)

2645 Inferno (15 min)

You may purchase Solar Wave tanning lamps hottanningbeds.com or a Solar Wave Authorized Dealer.

Do not use lamps other than those specified on sunbed label.

Lamp Cleaning & Replacement

Depending on the amount of usage, it is recommended that you clean your lamps every six months. To remove the acrylic and/or grill, see Table of Contents. After all the lamps have been removed, use a soft cloth and a non-abrasive cleaner to wipe down the aluminum reflectors. Take care not to scratch them because scratched or damaged reflectors will reduce the tanning capability of the tanning unit. Gently wipe the entire length of the lamp with a damp cloth to remove any film buildup. Vacuum reflector area using a soft brush attachment.

How to Obtain Service

1. Review the “Helpful Service Hints” to follow.
2. If you require additional assistance, contact the Customer Service Department at the Solar Wave Authorized Dealer where the bed was purchased. If it becomes necessary to replace a warranty part, proof of purchase is required to obtain warranty service. ***It is important to keep your store receipt.***
3. For non-warranty parts replacement or for routine maintenance, contact your Solar Wave Authorized Dealer.

Helpful Service Hints	
Lamps will not light	<p>Is the tanning bed on using the timer system?</p> <p>Is the tanning bed plugged into the electrical receptacle?</p> <p>Are the power cords securely connected from the canopy to bench?</p> <p>Is your bed on a 20 Amp dedicated circuit breaker?</p> <p>Check the power supply. You may have to reset the circuit breaker. This is due to not having a 20 Amp dedicated breaker or having too many devices on the proper breaker pulling too much amperage while tanning.</p> <p>Verify that the voltage coming out of the wall is safe for this product. Your voltage should not exceed 135 Volts.</p> <p>The lamp may not be locked into place. You may need to hand twist back into locking position</p> <p>The lamp may be burnt out. Removal of the acrylic/grill may be needed. Refer to Acrylic Removal section of this manual.</p> <p>Remove a lamp that lights and place it in the spot where the lamp was out. If this new lamp doesn't light in this position the ballast may need to be replaced. If it does light, the first lamp may need to be replaced.</p>
Two or three lamps located next to each other are not lit	<p>Possibly a ballast problem due to a power surge in your household electrical system. Contact your Solar Wave Authorized Dealer for replacement assistance.</p>
Canopy fails to stay in the upright position	<p>Double check assembly instructions. Gas shocks may have been put on upside down. See page 11.</p>

Attention: This sunlamp product should not be used on persons under the age of 18 years.

Contraindications

- *This product is contraindicated for use on persons under the age of 18 years.
- *This product must not be used if skin lesions or open wounds are present.

Warnings

- *This product should not be used on individuals who have had skin cancer or have a family history of skin cancer.
- *Persons repeatedly exposed to UV radiation should be regularly evaluated for skin cancer.

THIS PRODUCT IS IN CONFORMITY WITH PERFORMANCE STANDARDS FOR SUN LAMP PRODUCTS PER 21CFR878.4635 AND 21CFR1040.20. AS A RESULT, THIS PRODUCT MUST ONLY BE USED IN CONJUNCTION WITH 21CFR1040.20 APPROVED EYE WEAR AND COMPONENTS.

This product complies with 21CFR878.4635 and must only be used in conjunction with 21CFR1040.20 approved eyewear and components.

Solar Wave 120v Tanning Bed General Specifications

Specs	16 Lamp Bed	24 Lamp Beds
Required Receptacle	NEMA 5-15R	NEMA 5-15R
Required Voltage	110-120 V / 60 hz	110-120 V / 60 hz
Lamp Life: Hours	1,000	1,000

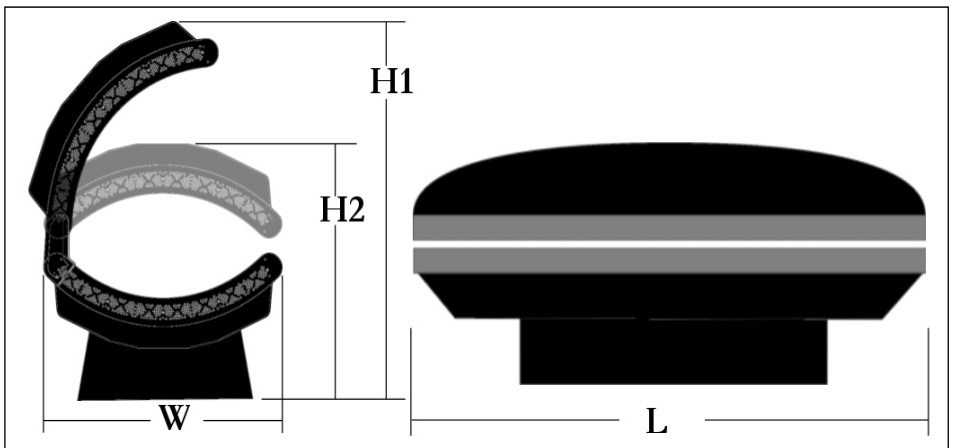
Refer to Electrical Requirements for more information.

**15 amp
5-15R
Receptacle**



Size Chart

Model	Height Open "H1"	Height Closed "H2"	Width "W"	Length "L"
Solar Wave 16	51	37	32	76
Solar Wave 24	51	37	32	76



Never tan more than once a day and allow 48 hours between tanning sessions. Tanning normally appears after the first few sessions and maximizes after approximately four weeks. Tan once or twice per week thereafter to maintain desired appearance.

ONLY THE FOLLOWING LAMPS HAVE BEEN CERTIFIED FOR USE IN SOLAR WAVE EQUIPMENT: Refer to label on Sun Bed.

- ~ 1704 SunFusion Dual FT (20 min)
- ~ 1705 SunFusion Dual BT(20 min)
- ~ 1704 Sunfusion Wolff(20 min)
- ~ 2393 Sunfusion CC(20 min)
- ~ 2645 Inferno (15 min)

RECOMMENDED EXPOSURE TIMES IN MINUTES

Refer to the label on your sunbed.

MAXIMUM EXPOSURE TIME IS 20 MINUTES

SKIN TYPE	WEEK:	1	2	3	4
1 Sensitive Skin (Burns easily and severely and does not tan) NOT RECOMMENDED FOR TANNING					
2 Light (Burns easily and severely and tans minimally.)		4	6	8	10
3 Normal (Burns Moderately and tans average.)		6	8	11	15
4 Dark (Burns minimally, tans easily and above average.)		8	11	15	20

MAXIMUM EXPOSURE TIME IS 15 MINUTES

SKIN TYPE	WEEK:	1	2	3	4
7 Sensitive Skin (Burns easily and severely and does not tan) NOT RECOMMENDED FOR TANNING					
8 Light (Burns easily and severely and tans minimally.)		4	6	9	12
9 Normal (Burns Moderately and tans average.)		6	8	10	13
4 Dark (Burns minimally, tans easily and above average.)		8	10	12	15

Disconnect power cord before attempting to clean, re-lamp, or engage in the maintenance of this product.

Manufactured by: ***Sunshine USA***
1044 Fordtown Rd. Kingsport, TN 37663
423-357-0680