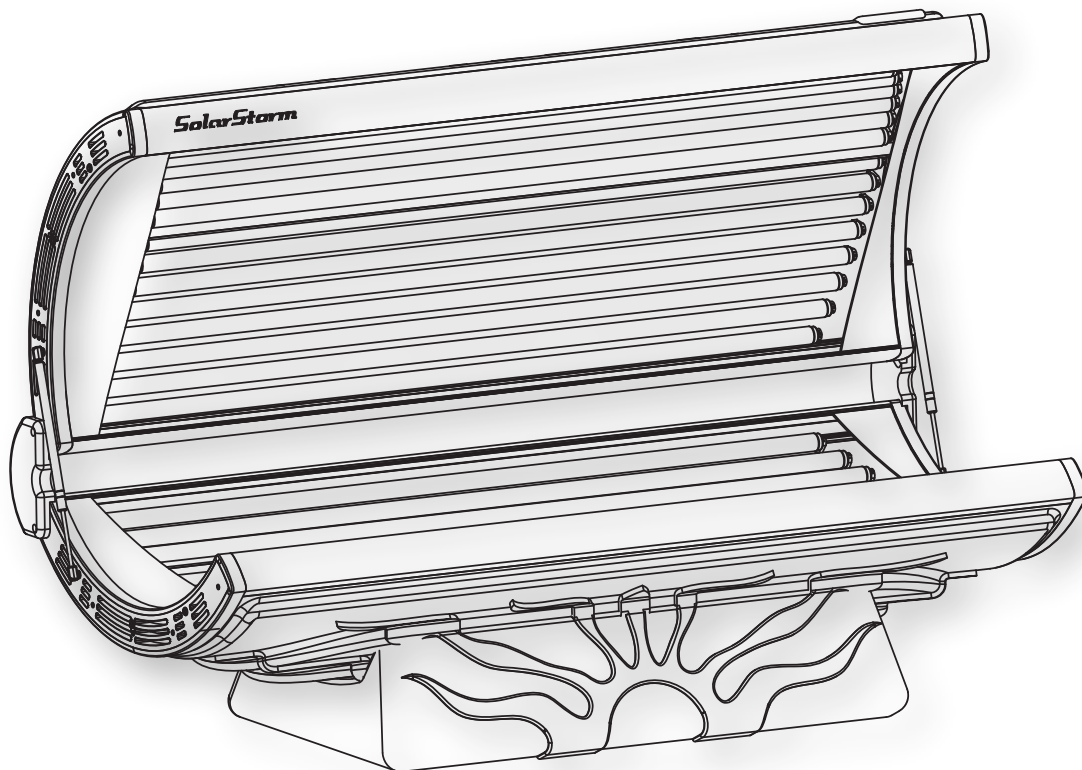


SolarStorm

240/320

**TANNING BED
INSTRUCTION
MANUAL**



Solar Storm Lamp Configuration

Use this table to determine the correct lamp type, quantity and placement for your Solar Storm model:

	Canopy		Bench	
	Quantity	Lamp	Quantity	Lamp
SS24C Dual	6	1704	12	2393 CC
	6	1705		
SS24C PW	6	1704 PW	12	2393 CC
	6	2393 CC		
SS24C Bronze	12	2645 Inferno	12	2645 Inferno
SS24C	12	2393 CC	12	2393 CC
SS32C Dual	8	1704	16	2393 CC
	8	1705		
SS32C PW	8	1704 PW	16	2393 CC
	8	2393 CC		
SS32C Bronze	16	2645 Inferno	16	2645 Inferno
SS32C	16	2393 CC	16	2393 CC

SolarStorm 24C/32C

Danger Ultraviolet radiation. Follow instructions. Avoid Overexposure. As with natural sunlight, overexposure can cause eye and skin injury and allergic reactions. Repeated exposure may cause premature aging of the skin and skin cancer. WEAR PROTECTIVE EYEWEAR; FAILURE TO MAY RESULT IN SEVERE BURNS OR LONG TERM INJURY TO THE EYES. Medications or cosmetics may increase your sensitivity to the ultraviolet radiation. Consult physician before using sunlamp if you are using medications or have a history of skin problems or believe yourself especially sensitive to sunlight. If you do not tan in the sun, you are unlikely to tan from the use of this product. Children, the elderly, or fair skinned people who always burn easily and either never tan or tan minimally should not use this equipment.

To use, lie down under canopy and pull down as far as adjustment will allow. Do not use without clear plastic panel and wire grill in place. Untanned persons should not tan on consecutive days during their first week of tanning. Never tan more than once a day. Tanning normally appears after the first few sessions and maximizes after approximately four weeks. Tan once or twice per week thereafter to maintain appearance. Persons already having a base tan may begin at advanced levels corresponding to the extent of their base tan.

Skin Type:

- I Sensitive Skin (Burns easily and severely and does not tan.)
- II Light Skin (Burns easily and severely and tans minimally.)
- III Normal Skin (Burns moderately and tans average.)
- IV Dark Skin (Burns minimally, tans easily and above average.)

RECOMMENDED TANNING SCHEDULE	SKIN TYPE	MAXIMUM EXPOSURE TIME IN MINUTES - 15 MINUTE MODELS			
		Week 1	Week 2	Week 3	Week 4
		I	Sensitive Skin: Burns easily & severely Does not tan	Tanning Not Advised	
II	Light Skin: Burns easily & severely Tans minimally	4	6	8	10
III	Normal Skin: Burns moderately Tans moderately	6	8	10	13
IV	Dark Skin: Burns minimally Tans well/above average	8	10	12	15

RECOMMENDED TANNING SCHEDULE	SKIN TYPE	MAXIMUM EXPOSURE TIME IN MINUTES - 20 MINUTE MODELS			
		Week 1	Week 2	Week 3	Week 4
		I	Sensitive Skin: Burns easily & severely Does not tan	Tanning Not Advised	
II	Light Skin: Burns easily & severely Tans minimally	4	6	8	12
III	Normal Skin: Burns moderately Tans moderately	6	8	10	15
IV	Dark Skin: Burns minimally Tans well/above average	8	10	15	20

New lamps emit approximately 10% more ultraviolet radiation during the first 50 hours of operation. Recommended tanning times should therefore be reduced by approximately 10% during that period.

WARNING: Read these instructions before using this sunlamp product. All persons in the room should wear protective eyewear when lamps are on. Recommended eyewear: Provided eyeshields or equivalent eyewear as defined under 21 CFR 1040.20. Other types of eyewear may not provide adequate protection. Failure to use protective eyewear may result in severe burns or other eye injury. If discomfort develops, discontinue use and consult a physician.

The following lamps have been certified for use in the Solar Storm 24C/32C models:

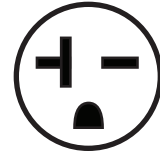
2645 Inferno Wolff lamps (15 minute)

1704 FT LSI lamps (20 minute)

2393 CC 5.0 Wolff lamps (20 minute)

1705 BT LSI lamps (20 minute)

21338 Power Window Wolff (20 minute)



Electrical Requirements

Your sunbed operates from a **220V AC** source. For 24C models, you should have a **NEMA 6-20R** Electrical outlet on a dedicated circuit capable of providing **20 Amp** service installed in the room in which you will use the unit. For 32C models, **30 Amp** service will need to be hard-wired to the bed. We recommend installation by a professional electrician. The outlet must be earth grounded.

⚠ DANGER



Shock hazard.
Disconnect power before servicing or removing any protective covers.
Do not operate this device near water or while you are wet.

⚠ DANGER

Some medications may increase your sensitivity to ultraviolet light. It is recommended that you consult a physician before using this sunbed if taking any medication or if you suspect that your skin might be especially sensitive to sunlight.

⚠ WARNING

Wear protective eyewear. Failure to may result in severe burns or long term injury to the eyes.

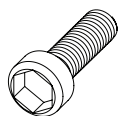
⚠ CAUTION

Air from the room is used to cool the sunbed. Maximum ambient room temperature should be 80°F. Place your sunbed no closer than 6" from any wall. Make sure nothing obstructs the airflow into the sunbed's endcaps or out of the fan openings. A poorly ventilated room may cause the unit to become hot and cause discomfort to the user.

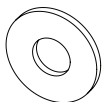
Unpacking and Inspection

Your sunbed comes in two cardboard cartons. Pull back the plastic sheet and, with a helper, grasp the bench and pull it from the carton bottom, leaving the plastic wrap and the carton packaging. Do not try to lift the unit with the plastic still on as it may slip. Do the same with the canopy. The canopy box contains the canopy and a pair of gas springs. The bench box contains the bench, assembly hardware and stand legs. Inspect the items and make sure they are free from any visible damage. Report the extent of any damage to the transportation company.

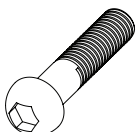
Hardware Inventory



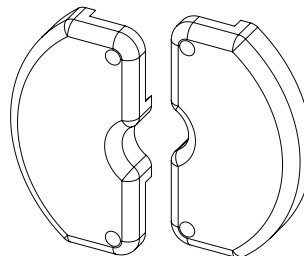
Allen-head Bolt 5/16 X 1"
Quantity 6



5/16" Metal Washer
Quantity 10



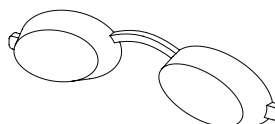
Allen-head Bolt 5/16 X 1.5"
Quantity 4



Hinge Brackets
(1) Left, (1) Right



Hex (Allen) Wrench
Quantity 1



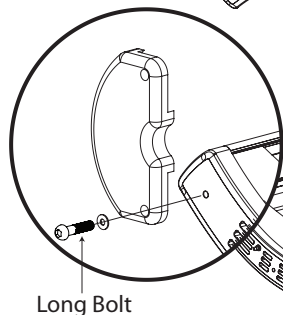
Safety Goggles
Quantity 1

Assembly Procedures

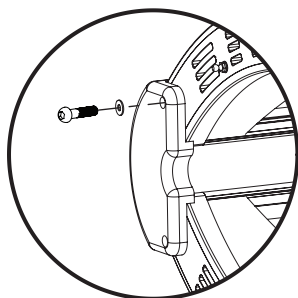
1 Lay the bench upside down on the floor. Locate the two stand legs.

2 Using six 5/16" X 1" bolts and six 5/16" washers, fasten the legs to the bench as shown, with the two small skirt mounting holes toward the back, by installing the center bolt first. You may have to gently push the sides of the legs in to align holes. Tighten with the allen wrench.

3 Turn bench over. Install hinge brackets to ends of bench. Secure using 5/16" X 1.5" Allen-head bolts and 5/16" metal washers. Tighten bolt snug, then an additional half turn.



4 Lift the canopy and hold it between the hinge brackets.

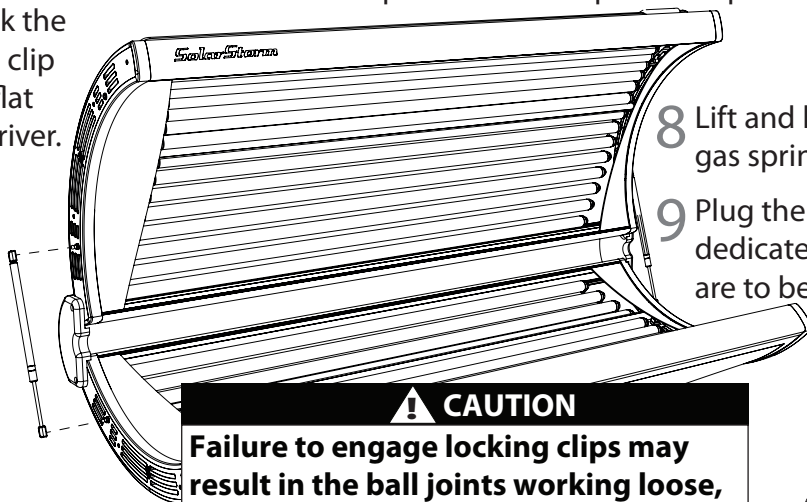


5 Insert 5/16" X 1.5" bolts with 5/16" washers into both hinge brackets. Tighten bolts into the endcap threaded inserts until snug, then an additional half turn. Do not overtighten to avoid damaging threaded inserts.

6 The gas springs have a locking mechanism. Pry back the locking clip with a flat screwdriver.



7 With a helper holding the canopy open, align ends of gas spring ball joints with pivot studs and push into place. Be sure rod end is down as shown.



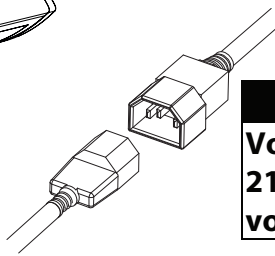
DO NOT lower canopy until both gas springs are engaged!

8 Lift and lower the canopy a few times to lubricate gas springs for optimum performance.

9 Plug the three-prong 220V AC power cord into a dedicated outlet on 24C models. 32C models are to be hard-wired. (See Electrical Requirements.)

CAUTION
Failure to engage locking clips may result in the ball joints working loose, allowing the canopy to fall, which may result in damage to the unit and injury.

CAUTION
Voltage must be between 215-230 VAC or will void warranty.



Using Your Sunbed

Before using your sunbed, please note the following:

- Your skin should be free of cosmetics, tanning oils, or other body lotions prior to tanning except for those specifically made for use with tanning devices. However, do not remove natural body oils by bathing or showering immediately before tanning.
- Keep treated hair from contacting sunbed surfaces. Many hair products can damage the sunbed acrylic. Wear a shower cap or towel if you use gels, mousses, sprays or other hair products.
- Your sunbed is designed for individual use. Always wear the safety goggles supplied with your sunbed or another approved pair of goggles, as defined under 21 CFR 1040.20. Regular sunglasses do not provide adequate protection from ultraviolet light.

Exposure Times

Follow the guidelines for skin type and exposure times according to your model as shown in the tables below. Untanned persons should not tan on consecutive days during their first week of tanning. Never tan more than once a day. Tanning normally appears after the first few sessions and maximizes after approximately four weeks. Tan once or twice per week thereafter to maintain appearance. Persons already having a base tan may begin at advanced levels corresponding to the extent of their base tan.

Skin Type:

- I Sensitive Skin (Burns easily and severely and does not tan.)
- II Light Skin (Burns easily and severely and tans minimally.)
- III Normal Skin (Burns moderately and tans average.)
- IV Dark Skin (Burns minimally, tans easily and above average.)

RECOMMENDED TANNING SCHEDULE	SKIN TYPE	MAXIMUM EXPOSURE TIME IN MINUTES – 15 MINUTE MODELS			
		Week 1	Week 2	Week 3	Week 4
I	Sensitive Skin: Burns easily & severely Does not tan	Tanning Not Advised			
II	Light Skin: Burns easily & severely Tans minimally	4	6	8	10
III	Normal Skin: Burns moderately Tans moderately	6	8	10	13
IV	Dark Skin: Burns minimally Tans well/above average	8	10	12	15

RECOMMENDED TANNING SCHEDULE	SKIN TYPE	MAXIMUM EXPOSURE TIME IN MINUTES – 20 MINUTE MODELS			
		Week 1	Week 2	Week 3	Week 4
I	Sensitive Skin: Burns easily & severely Does not tan	Tanning Not Advised			
II	Light Skin: Burns easily & severely Tans minimally	4	6	8	12
III	Normal Skin: Burns moderately Tans moderately	6	8	10	15
IV	Dark Skin: Burns minimally Tans well/above average	8	10	15	20

Removal of Acrylic

Remove black acrylic locking strips first. To remove the acrylic locking strip, insert a flat head screwdriver into the front edge of the locking strip and pry up. After Acrylic locking strip is removed, go to the head of the bed. Place the flat head screwdriver between the acrylic and aluminum extrusion. You will then lift the acrylic up enough to get your hand under it. Please use a glove due to the acrylic is very sharp and will cut an unprotected hand. With your hand placed between the acrylic and extrusion, lift up on the acrylic until it pops out of the extrusion. Lift the acrylic out of the bed.

Replacing Acrylic

Insert Acrylic into aluminum extrusion lip in back of bed. Apply pressure to back aluminum extrusion while pushing acrylic down into the bed until it pops into the front aluminum extrusion. Replace black acrylic locking strips.

Care and Maintenance

Cleaning After Use

Clean and disinfect your tanning bed's bench and canopy after each use. Use a non-abrasive disinfectant cleaner that **does not contain ammonia or ammonia derivatives**. Ammonia may damage the acrylic shield. Spray the acrylic lightly with disinfectant and wipe dry with a clean soft cloth. Wipe the canopy grill with a soft cloth slightly dampened with disinfectant, then wipe dry.

Thorough Periodic Cleaning

The cooling fans draw air through the bed and will cause a dust buildup on the lamps and reflectors. When a dust buildup is observed, it is necessary to thoroughly clean the inside of the bench and canopy.

- 1) Remove the acrylic shield, metal grill and lamps.
- 2) With a soft cloth, wipe the entire length of each lamp.
- 3) Clean both sides of the acrylic shield and grill with a non-ammonia disinfectant cleaner.
- 4) Wipe the reflectors with a clean damp cloth.
- 5) Re-install the lamps, acrylic shield and grill.

Mechanical Inspection

- Inspect the unit's fasteners verifying that all are firmly in place. Pay particular attention to the hinge bolts.
- Inspect gas springs for signs of wear. Replace gas springs that will not hold the canopy in the fully open position when raised.
- Inspect the AC power cord and its connections.
- Inspect the acrylic. Replace if broken, cracked or badly scratched.

Timer Operation Section

Table of Contents

1.	OVERVIEW.....	1
1.1	SPECIFICATIONS.....	1
2.	Configuration.....	1
2.1	CONNECTING TO THE TANNING BED AND APPLYING POWER.....	1
2.2	SETTING PARAMETERS.....	1
	2.2.1 Setting the Address.....	2
	2.2.2 Setting Delay time.....	2
3.	USING THE T-MAX® 005 AS A STAND ALONE TIMER.....	3
3.1	STARTING A SESSION.....	3
3.2	PAUSING A SESSION.....	3
3.3	CANCELING A SESSION.....	3
4.	REMOTE SINGLE BED CONTROL.....	4
4.1	WIRING.....	4
4.2	CONFIGURATION.....	4
4.3	SESSION CONTROL.....	4-5
5.	USING THE T-MAX® 005 WITH A T-MAX® MANAGER OR T-MAX® MANAGER/PRO.....	5
6.	OTHER FEATURES.....	5-6
6.1	CLEAN ROOM.....	5
6.2	LAMP HOURS.....	6
6.3	CONNECTING THE AP900.....	6
6.4	THIRD PARTY INTERFACE (TPI) MODE.....	6
6.5	EXTERNAL SPEAKER.....	6
7.	FIGURES.....	7
7.1	FIGURE A - FRONT AND REAR VIEW OF THE T-MAX® 005.....	7
7.2	FIGURE B - CONNECTING THE T-MAX® 3A TO A TANNING BED WITH THE T-MAX® 005.....	7
7.3	FIGURE C - TPI (THIRD PARTY INTERFACE).....	7

©COPYRIGHT 1995-2006 By Applied Digital, Inc.

The information in this manual is believed to be correct. However, Applied Digital, Inc. assumes no responsibility for any errors herein. This information is subject to change without notice, and should not be construed as a commitment by Applied Digital, Inc.

WARRANTY

This product is warranted against defective materials and workmanship for a period of two years from date of purchase. In the event the product fails to perform, it may be returned; Shipping Paid, to the factory to be serviced or replaced at the factory's discretion. Applied Digital, Inc. will pay to ship the repaired or replaced product by the shipping means of our choosing. Returns will not be accepted without a Return Authorization number assigned by the factory.

It is a condition of Sale that the user of Applied Digital Inc.'s products assumes all risk and responsibility of use and indemnifies Applied Digital, Inc. against all damages. Applied Digital, Inc. is not liable for loss of profits, lost savings, special, incidental, consequential, indirect or other similar damages arising from breach of warranty, breach of contract, negligence, or other legal action even if Applied Digital, Inc. or its agent has been advised of the possibility of such damages, or for any claim brought against you by another party. This warranty allocates risks of product failure between the purchaser and Applied Digital, Inc. Applied Digital Inc.'s hardware pricing reflects this allocation of risk and the limitations of liability contained in this warranty. It is a violation of the stated warranty to cut or modify the provided modular cables supplied with the T-Max® Series Timers. Connecting the T-Max® Series to third party timers not approved by Applied Digital, Inc. also violates the stated warranty. Contact your dealer or Applied Digital, Inc. to determine if your third party timer is approved by Applied Digital, Inc.

1. OVERVIEW

Each T-MAX® 005 can manually control a tanning bed, be connected to a T-MAX® 3A remote front desk control or be connected with many T-MAX® timers and T-MAX® Manager or T-MAX® Manager/Pro to control many beds from a remote location. Operation is accomplished via front panel controls.

1.1 Specifications

Specifications:		
Current Draw		300mA
Dimensions		Height – 3.5"
		Width – 3.25"
		Depth – 1.5"
Relays	220VAC @ 5A	SPST Form A

2. CONFIGURATION

2.1 Connecting to the Tanning Bed and Applying Power

A White header provides connection for power, lamps and fans. See Figure 1, Section 7.1 for wiring connections on this timer.

2.2 Setting Parameters

Note: If you are using a T-MAX® Manager or T-MAX® Manager/Pro and multiple T-MAX® timers, remove power from the T-MAX® Manager or T-MAX® Manager/Pro and keep the power removed until all parameter changes are complete.

- 1) Press and hold the Start/Stop and Up buttons simultaneously until a “.1” is displayed. Release the buttons.

This is an indication that you are in the parameter mode. The numbers currently displayed represents the parameter number that you can observe or change.

- 2) Press the Up or the Down Button until the parameter number that you want to observe or change is displayed.
- 3) Press the Start/Stop Button. The current value for that parameter will be displayed and be flashing.

The T-MAX® 005 will show a number with a period illuminated in the lower center of the display. The number shown is the current value for that parameter.

For Lamp, Session Counts, etc. the value displayed can be as high as 9999. to display this value, the T-MAX® 3A will flash two numbers-three times, then two numbers-three times, pause, two numbers three times, two numbers three times, pause, etc. For example, if you are checking lamp hours (Parameter 6) and the display flashes the number 53 three times,

Then 14 three times, pauses then repeats, then the total lamp hours stored in that T-MAX® 005 is 5314.

4) Press the Up and Down buttons to change the parameter to the desired value.

If you want to clear the value for that parameter, press the Up and Down buttons at the same time until the display shows “.0”.

5) Press the Start/Stop Button.

The display will show the parameter number you just changed and a solid period in the lower center of the display. You may now change another parameter by pressing the Up or Down buttons until the parameter that you want to change is displayed. Repeat Steps 2-4 for each parameter you want to change.

6) To exit the Parameter mode and make the T-Max® 005 available for the next session, press and hold both the up and down buttons until the display shows a 0 with no periods displayed.

Table 1 - Parameter numbers for observing and changing parameters.

Param#	Description	Max #	Default	Notes
1	Address	255	254	Address of T-Max® 005
2	Beep Mode	1	0	Used for High Power beds. 0=Alarm only, 1=Alarm and Flip
3	Delay Time	10	0	Delay in minutes stored in the T-Max® 005.
4	Current Sense	1	0	For the T-Max® Sentry™ Option. 0=Disabled. 1=Enabled.
5	Session Counts	65535	0	Total session counts for T-Max® 005.
6	Lamp Hours	65535	0	Bulb hours for each bed.
7	Bed Hours	65535	1	Number of hours a bed is on.
8	Manual Session Counts	65535	0	Counts the number of sessions the T-Max® 005 has run while in Stand Alone Mode
9	Clean Room	1	1	0 = Clean Room Disabled. 1 = Enabled
10*	Manual Lockout	1	0	0 = Stand Alone Enabled. 1 = Disabled
13	Cool Down Mode	10	0	0 = Disabled, 1- 10=Enabled. Time delay in minutes allowing bed to cool.
15	Fixed Session Counts	65535	0	Counts number of sessions ran through the T-Max®005. This value cannot be changed at all. Used as point of reference.
19	Third Party Interface (TPI) Mode**	1	0	Used for input for timing systems other than the T-Max® Series. Contact closure input. 0=Disabled; 1=Enabled.
20	External Speaker	1	0	0 = Speaker on the T-Max®005, 1 = External Speaker will be used.
21	Pause Mode	1	0	0 = When session is paused, time will continue to count down. 1 = When session is paused, session time will stop counting down.
22	Auto Bed Shut Off	1	0	For T-Max® Intercom Systems Only. 0 = When timer is called bed will stay on, 1 = When timer is called, bed will stuff off automatically.

*If Manual Lockout is enabled, the T-Max® 005 cannot operate as a stand alone timer.

2.1 Setting the Address

Note: If you are using the T-Max® 005 as an independent timer, you don't need to set the address.

1) Press and hold the Start/Stop and Up buttons simultaneously on the T-Max® 005 until a .1" appears on the display. Release the buttons.

2) Press and release the Start/Stop button. A number will appear on the display and be flashing. A period will be illuminated in the center of the display.

Pressing and holding the Up button will cause the display to count up. Pressing and holding the Down button will cause the display to count down. Once the count reaches 100, the center period will flash rapidly. This is an indication that you are over 99. For example, if the display shows a .2 with the period flashing, this is address 102. The highest the display will count up is 255.

3) Press the Up or Down button until the desired address is displayed.

When setting the address remember 3 rules:

- A) Set each T- Max[®] 005 to a unique address.
- B) Do not set any address to 00.
- C) Do not set any address over 100.

4) Once the desired address is displayed, press and release the Start/Stop button. The “.1” will appear on the display. Nothing will flash.

5) To exit, press and hold both the Up and Down buttons together until the period goes away.

2.2.2 Setting Delay time.

1) Press and hold the Start/Stop and Up buttons simultaneously on the TMax[®] 005 until a “.1” appears on the display. Release the buttons.

2) Press the Up Button until a “.3” is displayed.

3) Press and release the Start/Stop button.

A number will appear on the display and be flashing. A period will be illuminated in the center of the display. This is the current delay time.

4) Press the Up or Down Button until the desired delay time is displayed. The highest delay time that can be set on the T- Max[®] 3A is 10 minutes. If you want no delay time, set the display to 0. If you set the Delay Time to 0, the session time will start immediately after the Start/Stop button is pressed.

5) Press the Start/Stop button. The “.3” will appear on the display. Nothing will be flashing.

6) To exit, press and hold both the Up and Down buttons together until the period goes away.

3. Using the T-Max[®] 005 as a Stand Alone Timer

3.1 Starting A Session

1) Press the Up or Down Button on the T-Mx[®] 005 until the desired session time is displayed. If the display shows a 0, and you want to go directly to the maximum time, press the down button once.

2) Press and release the Start/Stop button to start the session.

If a delay other than 0 is entered, the delay will count down. A period on the lower right corner of the display will flash rapidly. When the session starts, the period will flash at a once per second rate. If the delay is set to 0, the session will start immediately. If you have a delay and want to energize the tanning bed, press the Start/Stop button again.

3.2 Pausing A Session

To pause the session press the Start/Stop button. The flashing period on the lower right corner of the display will stop flashing and stay illuminated. To restart the session, press the Start/Stop button on the T-Max® 005. The period on the lower right corner of the display will resume flashing.

Note: The session time will continue to count down. The display will continue to update and reflect the remaining session time.

3.3 Canceling A Session.

To cancel a session, press the Start/Stop button to pause the session then press and hold the Up button until the remaining session time showing on the display disappears.

4. REMOTE SINGLE BED CONTROL

Remote Single Bed Control is the ability to control a single T-Max® 005 from a remote location. A T-Max® 3A is required for this configuration.

4.1 Wiring

Place a T-Max® 3A at the desired remote location. Wire the T-Max® 3A as shown in the T-Max® 3A user's guide.

Run the modular cable provided with the T-Max® 3A from the T-Max® 005 in the tanning room to the remote T-Max® 3A. Connect the modular cable to one of the RJ-22 ports on each T-Max® 3A (it does not matter which port the cable is connected to).

Note: If you are using the AP900 to connect the timers wireless, do not run the modular cable. Connect the AP900s to the T-Max® 005 and the T-Max® 3A as described in the AP900 user's guide.

4.2 Configuration

Set the address on the T-Max® 005 in the tanning room to "1" as described in section 2.2.1, and the address on the T-Max® 3A to "0" as described in the T-Max® 3A user's guide.

Note: When setting the address on the T-Max® 005, the power to the front desk T-Max® 3A must be off.

Use the T-Max® 3A to set the Delay as described in the T-Max® 3A User's Guide. Any delay time set on the T-Max® 005 will be ignored.

4.3 Session Control

Starting a session

1) Press the Up or Dawn Button on the T-Max® 3A until the desired session time is displayed. Time cannot be set from the T-Max® 005 in the room.

2) Press the Start/Stop button on the T-Max® 3A to start the session. If a delay other than 0 is set, the delay will count down. A period on the lower right corner of the display will flash rapidly. When the session starts, the period will flash at once per second rate. If there is no delay entered, the session will start immediately.

Pausing During the Session

To pause the session press the Start/Stop button on the T-Max® 005 in the tanning room. The flashing period on the lower right corner of the display will stop flashing and stay illuminated. To restart the session, press the Start/Stop button on the T-Max® 005. The period will continue flashing. The session cannot be paused from the T-Max® 3A in this configuration.

Note: The session time will continue to count down. The display will continue to update and reflect the remaining session time.

Canceling a Session

To cancel a session, press both the Start/Stop and Up buttons together on the T-Max® 3A. The session cannot be canceled from the T-Max® 005 in the tanning room.

5. USING THE T-Max® 005 WITH A T-Max® MANAGER OR T-MaX® MANAGER/PRO

If you are using T-Max® 005s with a T-Max® Manager or T-Max® Manager/Pro, follow these instructions for proper operation:

- 1) Set the address on each T-Max® 005 as described in section 2.2.1.

Note: If you have completed the auto addressing as described in your TMax® Manager user's guide, you do not need to address the T-Max® 005s manually. Skip this step.

Note 2: Set each T-Max® 005 to a different address. No T-Max® 005 should be set to address 0.

- 2) Using T-Max® Modular cables, connect the timers in a daisy-chain as shown in the T- Max® Manager User's guide.

Note: If you are using AP900s to connect the system wireless, do not run the modular cables. Connect the AP900s to the T-Max® Manager and to the T-Max® 005 as described in Section 6.3 and in the AP900 user's guide.

Note 2: Delay is controlled by the T- Max® Manager, the T- Max® Manager/Pro or the software you are using if you are using a computer. It is not necessary to set the delay on the T-Max® 3A. Refer to the T-Max® Manager or T-Max® Manager/Pro User's Guide for operation.

6. OTHER FEATURES

6.1 Clean Room

Once the session time has elapsed, the display will show two solid periods only. This is an indication that the room needs to be cleaned. To clear the clean room indication, press and hold the Up button on the TMax® 3A in the tanning room until the two periods disappear and a "0" appears. To disable the clean room feature, set parameter 9 to a 0. (Refer to Section 2.2)

6.2 Lamp Hours

To check and change Lamp Hours (or any other parameter), refer to Section 2.2.

6.3 Connecting the AP900

The AP900 allows you to connect the T-Max® 005 to the T-Max® System with out the need to run cables throughout your salon. Connect an AP900 OEM to the RJ-11 modular connector on the T-Max® 005. Mount the AP900 as described in the AP900 user's guide.

6.4 Third Party Interface (TPI) Mode

The Third Party Interface (TPI) mode is used for connecting the T-Max® 005 timer to a timing system other than the T-Max® Series.

Pins 3 and 4 on the RJ-22 modular port on the back of the I-Mix® 005 are used for TPI. Connect pins 3 and 4 on the top RJ-22 connector to the relay output of your third party interface controller. (Refer to Section 7.3, Figure C).

When the session is started, the third party timer will provide a contact closure to the input on the T-Max® 005. When the session is started, the T-Max® 005 will show the maximum time stored into that T-Max® 005 and the tanning bed will turn on. Once the session ends the front desk controller will remove the contact closure from the TPI input on the T-Max® 005 and the bed will turn off.

Any delay that the front desk timer uses cannot be eclipsed by the T-Max® 005. The customer must wait the full delay time, in which case the bed will automatically come on.

If the session time on the T-Max® 005 eclipses, but there is still contact closure on the input, a single period will be displayed on the T-Max® 005. Once the contact is removed from the TPI input, then the next session can be started.

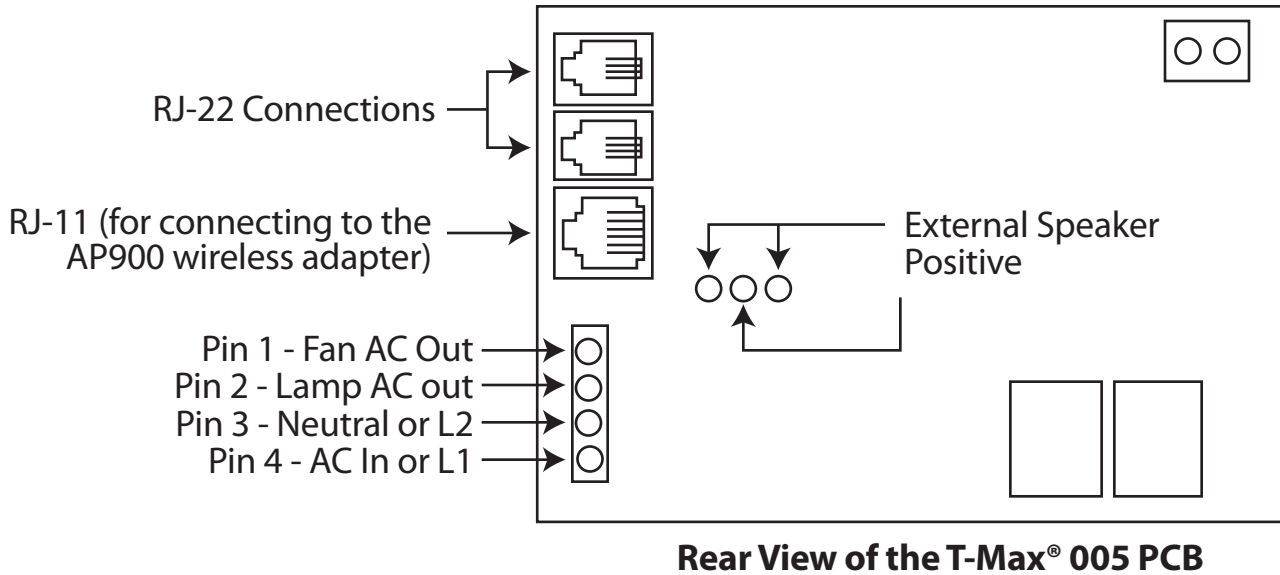
6.5 External Speaker

An external speaker can be connected to the T-Max® 005 to make the beep louder. A T-Max® Speaker must be used. Connect the speaker to the connections shown in Figure A, Section 7.1, Set parameter 20 on the T-Max® 005 to a 1 as described in Section 2.2.

7. FIGURES

Figure A - Front and Rear View Of the T-Max® 005

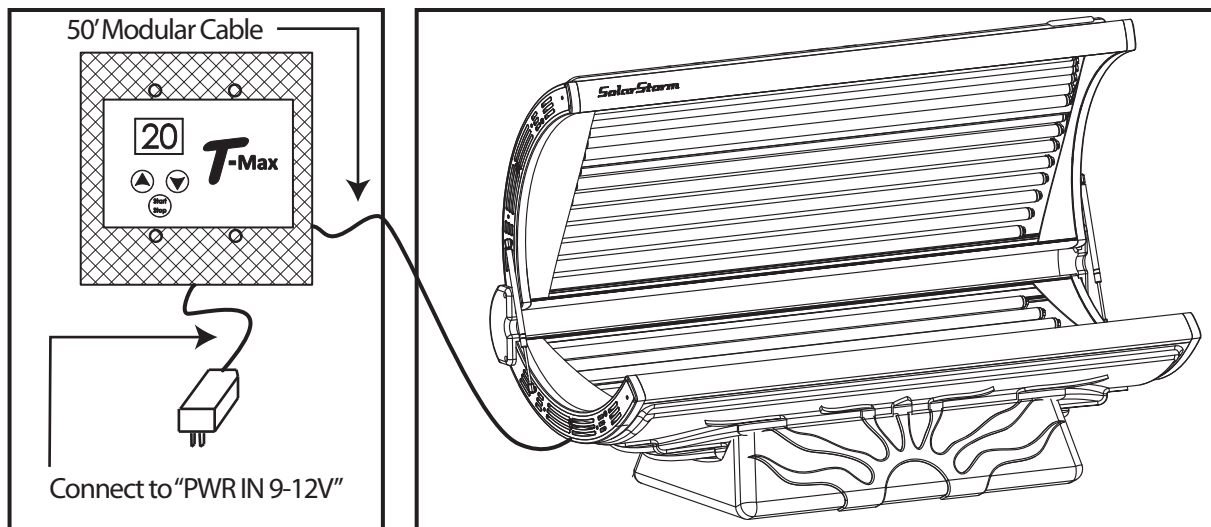
External Start. Connect a momentary push button to this terminal. This allows the user to press a button other than the Start/Stop button on the T-Max® 005 to start a session.



7.2 Figure B - Connecting the T-Max® 3A to a tanning bed with the T-Max® 005.

Because the t-Max® 005 is inside the tanning bed, you don't need a T-Max® 3A in the room. Simply connect the 50' modular cable to the RJ-22 connector on the tanning bed.

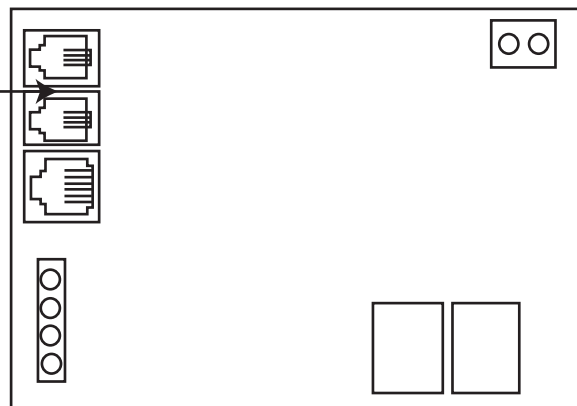
T-Max® 3A at front desk.



7.3 Figure C - TPI (Third Party Interface)

Pin 3 and 4 are used for TPI. Connect these two wires to the relay of your third party controller.

Parameter 19 must be set to a 1 for TPI to work.



Solar Storm 24C/32C

Manufactured by

LPI, INC.

**1044 Fordtown Road - Kingsport, TN 37663
423-349-2900**