

SolarStorm

SS36ST Commercial Tanning Booth



User Manual

Commercial Tanning Bed Warranty

Solar Storm warrants all of our indoor suntanning equipment to be free from defects in workmanship as follows:

- 36 Months on parts- Including: Ballast, Contactors, & Timers.
- 6 Months on Acrylic
- 90 Days on Gas Springs
- 90 Days on Lamps
- 180 Days on Labor

LPI's obligation under this warranty is limited to the repair and/or replacement of any defective part without charge for that part, at LPI's discretion, with the following limitations:

- This warranty is extended only to the original purchaser appearing on the sales receipt and is non-transferable.
- This product is designed for use by one person at a time.
- Only original OEM parts may be used.
- All major repairs must be completed by an authorized service representative.
- This warranty does not cover transportation charges on the parts.
- Labor costs are not reimbursable for repair or replacement of items.

LPI disclaims any responsibility for transportation. LPI further disclaims any responsibility for injury resulting from the failure of equipment or parts manufactured by LPI due to incorrect installation or operation.

LPI shall not be liable for loss or damages caused either directly or indirectly from the use of its products. This limited warranty does not extend to any products which have been damaged as a result of accident, misuse, abuse, or as a result of service or modification by anyone other than an LPI representative.

This warranty does not apply to any failure of parts or products due to alterations, modifications, misuse, abuse, accidents, improper maintenance, or failure to follow the specified electrical requirements. Such occurrences immediately VOID this warranty. THIS WARRANTY IS EXPRESSLY IN LIEU OF ALL OTHER WARRANTIES, EXPRESSED OR IMPLIED, INCLUDING THE WARRANTIES OF MERCHANTABILITY. No person, firm, or corporation is authorized to assume for us any other liability in connection with the sale of these goods

THIS PRODUCT IS IN CONFORMITY WITH PERFORMANCE STANDARDS FOR SUN LAMP PRODUCTS PER 21CFR878.4635 AND 21CFR1040.20. AS A RESULT, THIS PRODUCT MUST BE USED IN CONJUNCTION WITH 21CFR1040.20 APPROVED EYEWEAR AND COMPONENTS.

Serial numbers are located on the rails at the rear of the booth.

Danger: Ultraviolet radiation. Follow instructions. Avoid overexposure. As with natural sunlight, overexposure can cause eye and skin injury and allergic reactions. Repeated exposure may cause premature aging of the skin and skin cancer. **WEAR PROTECTIVE EYEWEAR; FAILURE TO MAY RESULT IN SEVERE BURNS OR LONG-TERM INJURY TO THE EYES.** Medications or cosmetics may increase your sensitivity to the ultraviolet radiation. Consult physician before using sunlamp if you are using medications or have a history of skin problems or believe yourself especially sensitive to sunlight. If you do not tan in the sun, you are unlikely to tan from the use of this product..

Persons under the age of 18, the elderly, or fair skinned people who always burn easily and either never tan or tan minimally should not use this equipment. Untanned persons should not tan on consecutive days during their first week of tanning. Never tan more than once a day. Tanning normally appears after the first few sessions and maximizes after approximately four weeks. Tan once or twice per week thereafter to maintain appearance. Persons already having a base tan may begin at advanced levels corresponding to the extent of their base tan.

Intended use statement: The LPI tanning beds and booths are indicated for the tanning of human skin via ultraviolet light.

- 2645 Inferno



Disconnect power cord before attempting to clean, re-lamp, or engage in the maintenance of this product. This equipment must be earth grounded.

DO NOT operate the tanning booth while wet or near water.

Solar Storm Tanning Booth Specifications/Info.

Model	Size HxW”	Weight (lbs.)	Voltage (Volts)	Amps (Rated)	Dedicated Breaker Amps	NEMA Receptacle	Timer*
Solar Storm 36	77x48	275	240	25	30	N/A - Hard- Wired See Electrical Requirements	Digital

THIS PRODUCT IS IN CONFORMITY WITH PERFORMANCE STANDARDS FOR SUN LAMP PRODUCTS PER 21CFR878.4635 AND 21CFR1040.20. AS A RESULT, THIS PRODUCT MUST BE USED IN CONJUNCTION WITH 21CFR1040.20 APPROVED EYEWEAR AND COMPONENTS.

Pre-Installation Planning

Before you begin to assemble your tanning booth, please read the following information.

Electrical Requirements

**! VERY IMPORTANT!
MUST READ!**

Your Solar Storm Tanning Booth 240 Volt Model REQUIRES a 30 Amp DEDICATED Circuit Breaker.
This means that your tanning booth is the ONLY electrical device operating on that circuit breaker.

*Your Solar Storm tanning booth will need to be hard-wired to a 30A circuit.
A qualified electrician will be needed to assist in fulfilling these requirements
per your local code.*

**ALL IMPROPER VOLTAGES MUST BE RECTIFIED WITH THE
CORRECT BUCK BOOSTER TRANSFORMER!**

**Failure to comply with Solar Storm's electrical requirements will
VOID ALL WARRANTIES and will damage electrical components!**

Additionally a very easy way of protecting your tanning booth from potential electrical damage due to power surge or spikes is to disconnect the unit when NOT in use.

This page intentionally left blank.

Solar Storm Tanning Booth Location Requirements

Make sure the room is well ventilated. Air from the room is used to cool your tanning booth, which helps to ensure years of trouble free performance. Poor ventilation may cause the unit to overheat and cause discomfort to the user as well. Place your tanning booth no closer than one foot from any wall. Be sure that curtains, drapes, and other room furniture is not obstructing the airflow into the end caps of the booth or out of the fan openings. Due to the nature of the booth, it is best to place it in a corner, allowing enough room for the door to swing open.

Unpacking Instructions

Your tanning booth comes in three cardboard cartons: two for the stationary sections and one for the door section.

Remove the three sections from the plastic bags. The door box contains the hardware box.

Inspect all items thoroughly for any visible damage. Report any such damage to your Solar Storm Authorized Dealer immediately.

BOOTH ASSEMBLY INSTRUCTIONS



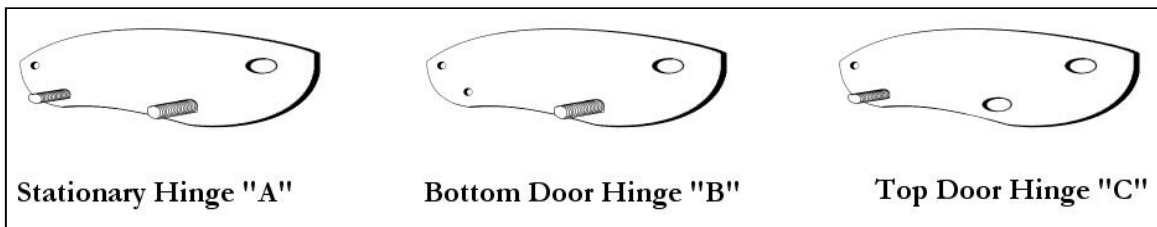
Proper assembly of your tanning booth requires two people.

Tools required – In addition to the supplied hex key, assembling the tanning booth requires an adjustable wrench.

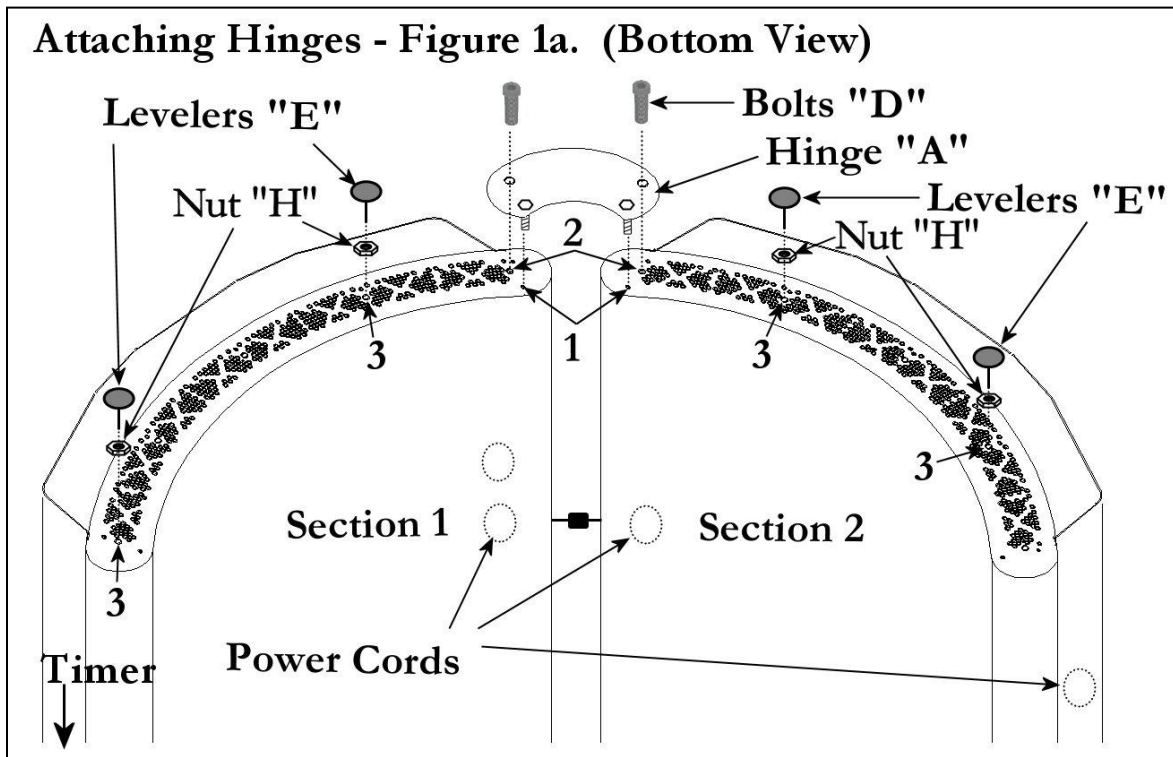
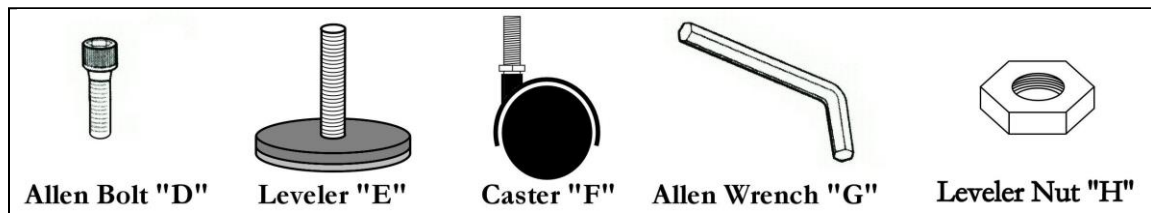
Parts List

Item	Description	Quantity
A	Stationary Hinge	2
B	Bottom Door Hinge	1
C	Top Door Hinge	1
D	5/16 x 1 1/2 Allen Bolt	8
E	Leveler	4
F	Caster	2
G	Allen Wrench	1
H	Leveler Nut	4

Included Hardware



Included Hardware (continued)

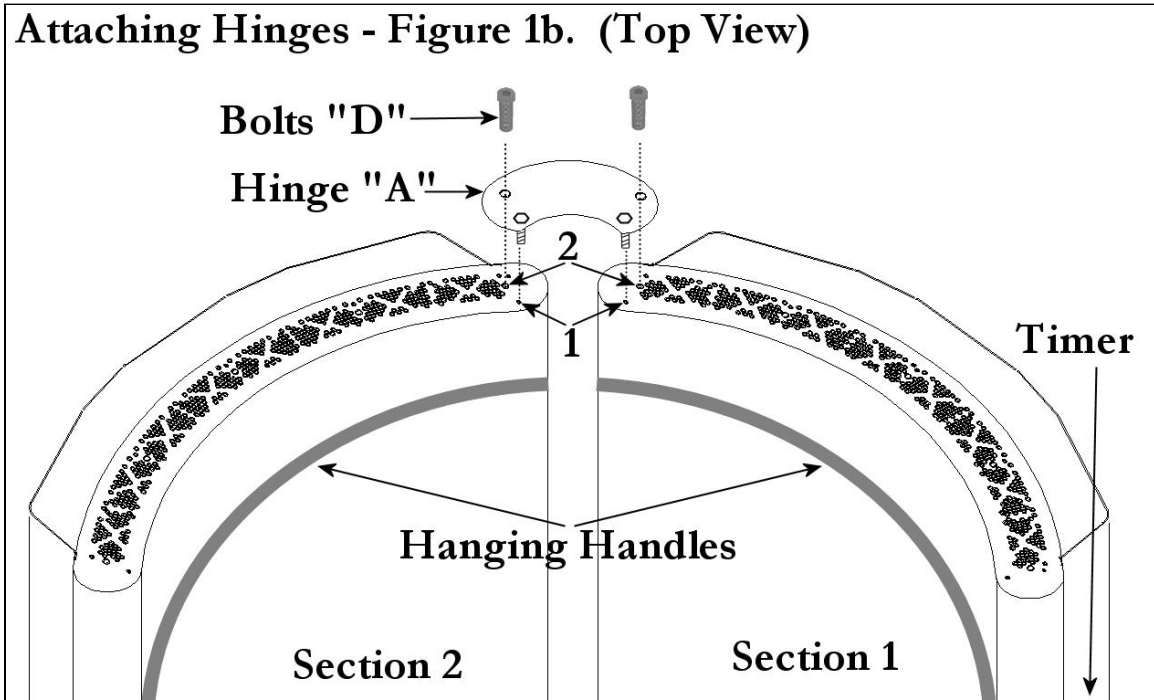


Attaching Hinge to Bottom of Sections 1 and 2 – Figure 1a

Step 1. Lay sections one and two next to each other on a soft material (i.e. carpet) with the lamps facing down, and with the male and female power cords aligned. Section one contains the timer and main power cord. Section 2 has the short, inter-connecting power cords on both sides.

Step 2. Thread nuts "H" onto the levelers "E" then thread the leveler shafts into the end cap holes "3" as shown in figure 1a. so that they protrude about 2 inches. Snug the nuts against the end caps. If necessary, use an adjustable wrench on the levelers at the base of the threaded portion. **DO NOT OVER-TIGHTEN! BE CAREFUL NOT TO STRIP THE THREADS!**

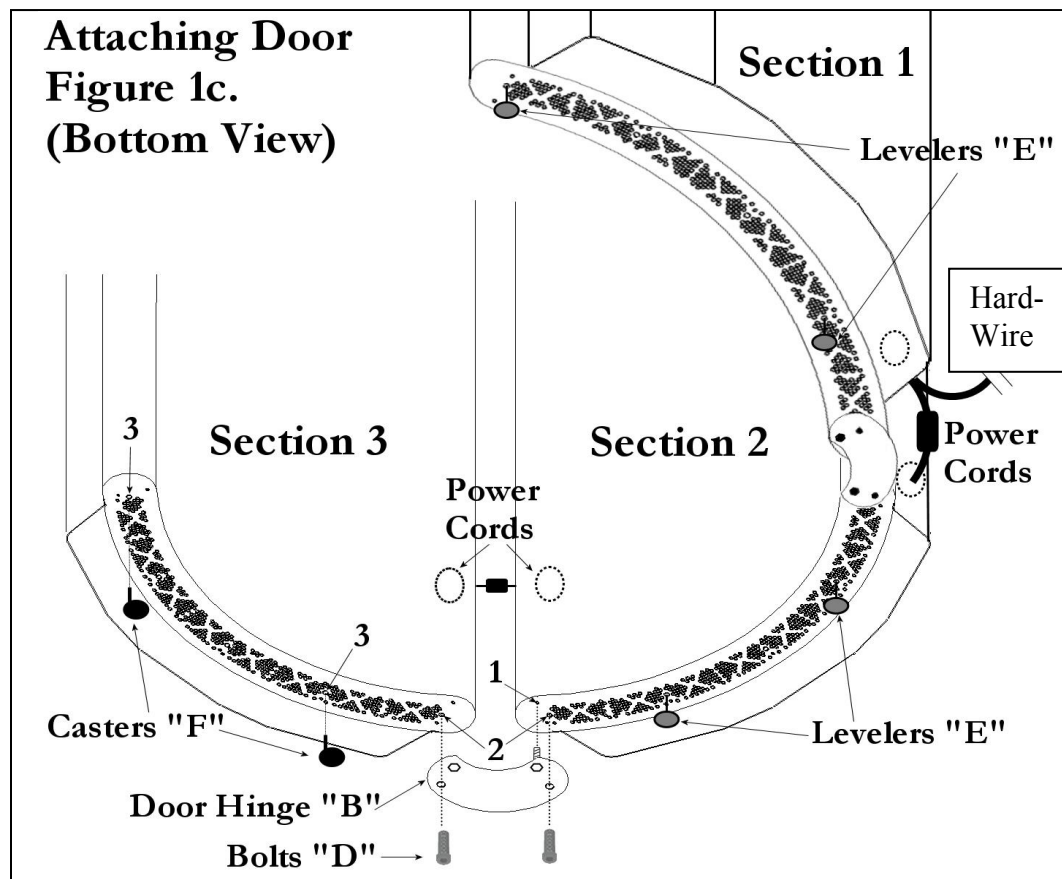
Step 3. During this step, make sure that the inter-connecting power cords are securely connected. Do not pinch the cords between the rails of the two different sections. Have one person at the top end of the unit, and another person at the bottom end. Both people need to raise the units in the center where they meet in order to insert the guide bolts of hinge "A" into the "1" holes of the end caps at the bottom end of the unit. The person at the top end of the unit can hold the two units up in position, while the person at the bottom end threads bolts "D" through hinge "A" into the "2" holes of the end caps. Use the supplied allen wrench to tighten these bolts. **DO NOT OVER-TIGHTEN!** Continue supporting the two sections through the next step.



Attaching Hinge to Top of Sections 1 and 2 – Figure 1b

Step 1. Align the guide bolts of hinge “A” through the “1” holes in the end caps at the top end of the units as shown in figure 1b.

Step 2. Thread bolts “D” through hinge “A” into the “2” holes of the end caps, and tighten with the supplied allen wrench. **DO NOT OVER-TIGHTEN!**



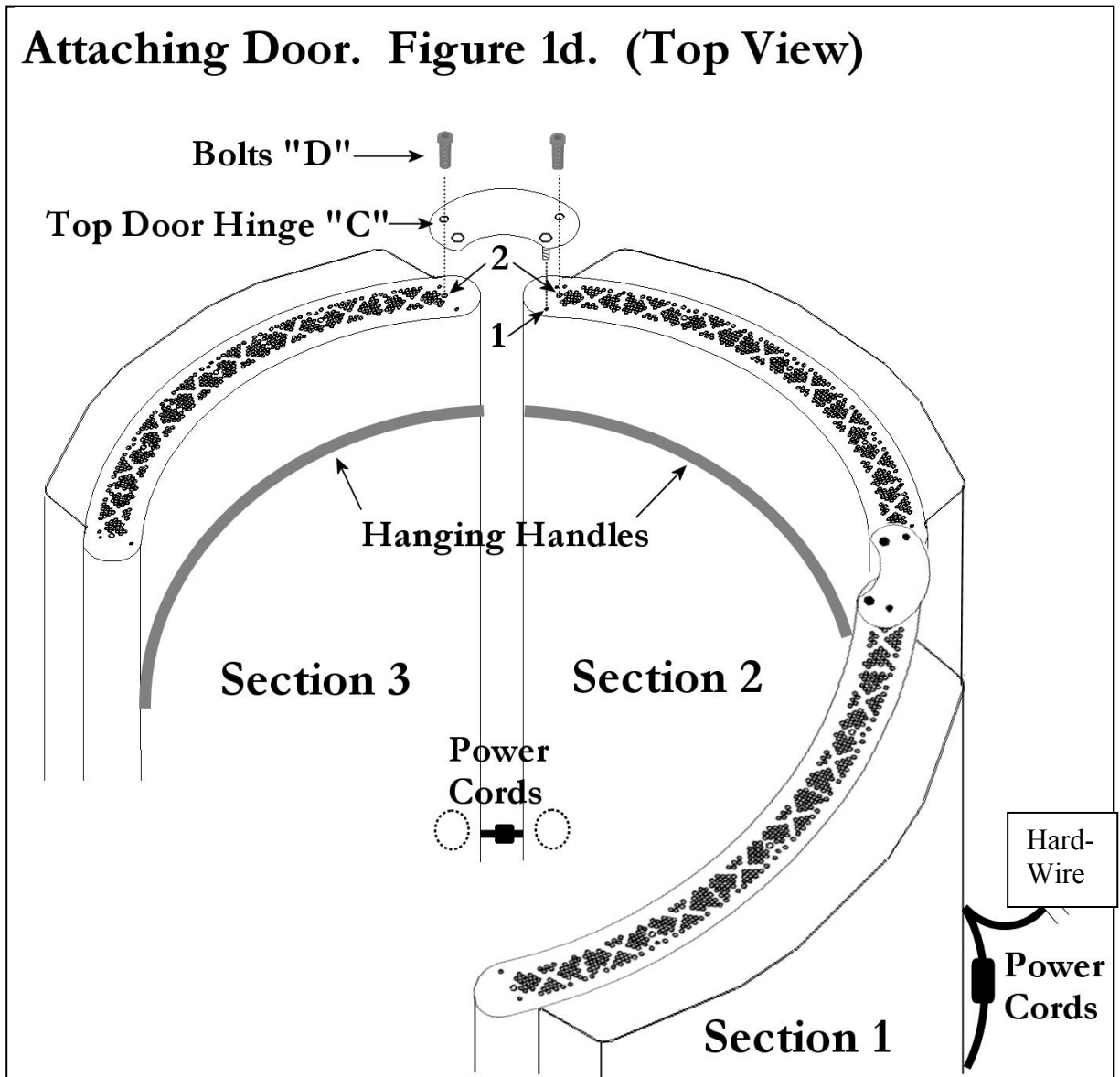
Attaching the Door to Bottom of Section 2 – Figure 1c

Step 1. Thread the casters “F” into the “3” holes in the end caps as shown in figure 1c. Tighten with the adjustable wrench. DO NOT OVER-TIGHTEN!

Step 2. Align the guide bolt of hinge “B” through the “1” hole in the end cap at the bottom of section 2.

Step 3. Thread one of the “D” bolts through hinge “B” into the “2” hole of section 2.

Step 4. Have one person hold the joined sections 1 and 2 in position to allow the other person to thread the next “D” bolt through hinge “B” into hole “2” of section 3. Tighten the bolts with the supplied allen wrench. DO NOT OVER-TIGHTEN!



Attaching the Door to Top of Section 2 – Figure 1d

Step 1. During this step, make sure you do not pinch the cords between the rails of the two different sections. Align the guide bolt of hinge “C” through the “1” hole in the end cap at the top end of section 2 as shown in figure 1d.

Step 2. Thread bolts “D” through hinge “C” into the “2” holes of the end caps at the top end of sections 2 and 3, and tighten with the supplied allen wrench. **DO NOT OVER-TIGHTEN!**

Now **CAREFULLY** position the unit upright by lifting the top end while securing the door so that it does not swing open in the process. At this time, push the booth into its permanent location. Tighten and/or loosen the levelers and nuts as necessary with an adjustable wrench to ensure proper footing of the unit. The best spot to use an adjustable wrench on the levelers is at the base of the threaded stem. **BE CAREFUL NOT TO STRIP THE THREADS!**



Making the Electrical Connection – refer to electrical requirements, page 5.

WARNING! Be sure electrical power is disconnected before connecting the male/female inter-connecting cables.

Step 1. Securely connect all inter-connecting power cords that run between the three sections of the unit.

The main power connection needs to be hard-wired by an electrician per the Electrical Requirements.

DO NOT CONVERT THE POWER CORD TO A TWO OR THREE PRONG CORD, MODIFY THE CORD IN ANY WAY, OR USE ANY EXTENSION CORD.

ENSURE THAT THE POWER CORD IS ROUTED SAFELY AWAY FROM TRAFFIC AND/OR ANY HAZARDS.

AS RECOMMENDED FOR ALL ELECTRICAL APPLIANCES, THIS TANNING BOOTH SHOULD NEVER BE OPERATED NEAR WATER OR WHILE YOU ARE WET.

Pre-Tanning Guidelines

Your Skin

Before tanning, be sure your skin is free of any tanning oils or lotions, body lotions or cosmetics. Cosmetics or medications applied to your skin may increase your sensitivity to ultraviolet light. If you are taking any medication, or if you are especially sensitive to sunlight, we recommend that you consult a physician before using this or any tanning equipment. It is also recommended that you not shower or bathe immediately before using this tanning booth as it removes natural body oils which protect your skin.

Your Eyes: All persons in the room should wear protective eyewear when lamps are on. Recommended eyewear: Provided eyeshields or equivalent eyewear as defined under 21 CFR 1040.20. Other types of eyewear may not provide adequate protection. Failure to use protective eyewear may result in severe burns or other eye injury. If discomfort develops, discontinue use and consult a physician.

This Product complies with 21CFR878.4635 and must only be used in conjunction with 21CFR1040.20 approved eyewear and components.



DO NOT OPERATE the tanning booth near water or while you are wet.

Using the Tanning Booth

This tanning booth is designed for use by one person at a time. This tanning booth operates via a timer. Determine the recommended exposure time according to your skin type. See chart below.

Recommended Exposure Times – Shown in Minutes				
Skin Type:	Week 1	Week 2	Week 3	Week 4
I. Sensitive skin: burns easily and severely, does not tan	Not recommended for tanning!			
II. Light: burns easily and severely, tans minimally	4	6	8	10
III. Normal: burns moderately, tans average	6	8	10	13
IV. Dark: burns minimally, tans easily and above average	8	10	12	15
MAXIMUM EXPOSURE TIME IS 15 MINUTES				

ALLOW 48 HOURS BETWEEN TANNING SESSIONS!

Before tanning, refer to the recommended exposure chart above.

Timer Operation Section

Table of Contents

1.	OVERVIEW.....	1
1.1	SPECIFICATIONS.....	1
2.	Configuration.....	1
2.1	CONNECTING TO THE TANNING BED AND APPLYING POWER.....	1
2.2	SETTING PARAMETERS.....	1
2.2.1	Setting the Address.....	2
2.2.2	Setting Delay time.....	2
3.	USING THE T-MAX® 005 AS A STAND ALONE TIMER.....	3
3.1	STARTING A SESSION.....	3
3.2	PAUSING A SESSION.....	3
3.3	CANCELING A SESSION.....	3
4.	REMOTE SINGLE BED CONTROL.....	4
4.1	WIRING.....	4
4.2	CONFIGURATION.....	4
4.3	SESSION CONTROL.....	4-5
5.	USING THE T-MAX® 005 WITH A T-MAX® MANAGER OR T-MAX® MANAGER/PRO.....	5
6.	OTHER FEATURES.....	5-6
6.1	CLEAN ROOM.....	5
6.2	LAMP HOURS.....	6
6.3	CONNECTING THE AP900.....	6
6.4	THIRD PARTY INTERFACE (TPI) MODE.....	6
6.5	EXTERNAL SPEAKER.....	6
7.	FIGURES.....	7
7.1	FIGURE A - FRONT AND REAR VIEW OF THE T-MAX® 005.....	7
7.2	FIGURE B - CONNECTING THE T-MAX® 3A TO A TANNING BED WITH THE T-MAX® 005.....	7
7.3	FIGURE C - TPI (THIRD PARTY INTERFACE).....	7

©COPYRIGHT 1995-2006 By Applied Digital, Inc.

The information in this manual is believed to be correct. However, Applied Digital, Inc. assumes no responsibility for any errors herein. This information is subject to change without notice, and should not be construed as a commitment by Applied Digital, Inc.

WARRANTY

This product is warranted against defective materials and workmanship for a period of two years from date of purchase. In the event the product fails to perform, it may be returned; Shipping Paid, to the factory to be serviced or replaced at the factory's discretion. Applied Digital, Inc. will pay to ship the repaired or replaced product by the shipping means of our choosing. Returns will not be accepted without a Return Authorization number assigned by the factory.

It is a condition of Sale that the user of Applied Digital Inc.'s products assumes all risk and responsibility of use and indemnifies Applied Digital, Inc. against all damages. Applied Digital, Inc. is not liable for loss of profits, lost savings, special, incidental, consequential, indirect or other similar damages arising from breach of warranty, breach of contract, negligence, or other legal action even if Applied Digital, Inc. or its agent has been advised of the possibility of such damages, or for any claim brought against you by another party. This warranty allocates risks of product failure between the purchaser and Applied Digital, Inc. Applied Digital Inc.'s hardware pricing reflects this allocation of risk and the limitations of liability contained in this warranty. It is a violation of the stated warranty to cut or modify the provided modular cables supplied with the T-Max® Series Timers. Connecting the T-Max® Series to third party timers not approved by Applied Digital, Inc. also violates the stated warranty. Contact your dealer or Applied Digital, Inc. to determine if your third party timer is approved by Applied Digital, Inc.

1. OVERVIEW

Each T-MAX® 005 can manually control a tanning bed, be connected to a T-MAX® 3A remote front desk control or be connected with many T-MAX® timers and T-MAX® Manager or T-MAX® Manager/Pro to control many beds from a remote location. Operation is accomplished via front panel controls.

1.1 Specifications

Specifications:		
Current Draw		300mA
Dimensions		Height – 3.5”
		Width – 3.25”
		Depth – 1.5”
Relays	220VAC @ 5A	SPST Form A

2. CONFIGURATION

2.1 Connecting to the Tanning Bed and Applying Power

A White header provides connection for power, lamps and fans. See Figure 1, Section 7.1 for wiring connections on this timer.

2.2 Setting Parameters

Note: If you are using a T-MAX® Manager or T-MAX® Manager/Pro and multiple T-MAX® timers, remove power from the T-MAX® Manager or T-MAX® Manager/Pro and keep the power removed until all parameter changes are complete.

- 1) Press and hold the Start/Stop and Up buttons simultaneously until a “.1” is displayed. Release the buttons.

This is an indication that you are in the parameter mode. The numbers currently displayed represents the parameter number that you can observe or change.

- 2) Press the Up or the Down Button until the parameter number that you want to observe or change is displayed.
- 3) Press the Start/Stop Button. The current value for that parameter will be displayed and be flashing.

The T-MAX® 005 will show a number with a period illuminated in the lower center of the display. The number shown is the current value for that parameter.

For Lamp, Session Counts, etc. the value displayed can be as high as 9999. to display this value, the T-MAX® 3A will flash two numbers-three times, then two numbers-three times, pause, two numbers three times, two numbers three times, pause, etc. For example, if you are checking lamp hours (Parameter 6) and the display flashes the number 53 three times,

Timer-1

Then 14 three times, pauses then repeats, then the total lamp hours stored in that T-MAX® 005 is 5314.

4) Press the Up and Down buttons to change the parameter to the desired value.

If you want to clear the value for that parameter, press the Up and Down buttons at the same time until the display shows “.0”.

5) Press the Start/Stop Button.

The display will show the parameter number you just changed and a solid period in the lower center of the display. You may now change another parameter by pressing the Up or Down buttons until the parameter that you want to change is displayed. Repeat Steps 2-4 for each parameter you want to change.

6) To exit the Parameter mode and make the T-Max® 005 available for the next session, press and hold both the up and down buttons until the display shows a 0 with no periods displayed.

Table 1 - Parameter numbers for observing and changing parameters.

Param#	Description	Max #	Default	Notes
1	Address	255	254	Address of T-Max® 005
2	Beep Mode	1	0	Used for High Power beds. 0=Alarm only, 1=Alarm and Flip
3	Delay Time	10	0	Delay in minutes stored in the T-Max® 005.
4	Current Sense	1	0	For the T-Max® Sentry™ Option. 0=Disabled. 1=Enabled.
5	Session Counts	65535	0	Total session counts for T-Max® 005.
6	Lamp Hours	65535	0	Bulb hours for each bed.
7	Bed Hours	65535	1	Number of hours a bed is on.
8	Manual Session Counts	65535	0	Counts the number of sessions the T-Max® 005 has run while in Stand Alone Mode
9	Clean Room	1	1	0 = Clean Room Disabled. 1 = Enabled
10*	Manual Lockout	1	0	0 = Stand Alone Enabled. 1 = Disabled
13	Cool Down Mode	10	0	0 = Disabled, 1-10=Enabled. Time delay in minutes allowing bed to cool.
15	Fixed Session Counts	65535	0	Counts number of sessions ran through the T-Max®005. This value cannot be changed at all. Used as point of reference.
19	Third Party Interface (TPI) Mode**	1	0	Used for input for timing systems other than the T-Max® Series. Contact closure input. 0=Disabled; 1=Enabled.
20	External Speaker	1	0	0 = Speaker on the T-Max®005, 1 = External Speaker will be used.
21	Pause Mode	1	0	0 = When session is paused, time will continue to count down. 1 = When session is paused, session time will stop counting down.
22	Auto Bed Shut Off	1	0	For T-Max® Intercom Systems Only. 0 = When timer is called bed will stay on, 1 = When timer is called, bed will stuff off automatically.

*If Manual Lockout is enabled, the T-Max® 005 cannot operate as a stand alone timer.

2.1 Setting the Address

Note: If you are using the T-Max® 005 as an independent timer, you don't need to set the address.

1) Press and hold the Start/Stop and Up buttons simultaneously on the T-Max® 005 until a .1" appears on the display. Release the buttons.

2) Press and release the Start/Stop button. A number will appear on the display and be flashing. A period will be illuminated in the center of the display.

Timer-2

Pressing and holding the Up button will cause the display to count up. Pressing and holding the Down button will cause the display to count down. Once the count reaches 100, the center period will flash rapidly. This is an indication that you are over 99. For example, if the display shows a .2 with the period flashing, this is address 102. The highest the display will count up is 255.

3) Press the Up or Down button until the desired address is displayed.

When setting the address remember 3 rules:

- A) Set each T- Max[®] 005 to a unique address.
- B) Do not set any address to 00.
- C) Do not set any address over 100.

4) Once the desired address is displayed, press and release the Start/Stop button. The “.1” will appear on the display. Nothing will flash.

5) To exit, press and hold both the Up and Down buttons together until the period goes away.

2.2.2 Setting Delay time.

1) Press and hold the Start/Stop and Up buttons simultaneously on the TMax[®] 005 until a “.1” appears on the display. Release the buttons.

2) Press the Up Button until a “.3” is displayed.

3) Press and release the Start/Stop button.

A number will appear on the display and be flashing. A period will be illuminated in the center of the display. This is the current delay time.

4) Press the Up or Down Button until the desired delay time is displayed. The highest delay time that can be set on the T- Max[®] 3A is 10 minutes. If you want no delay time, set the display to 0. If you set the Delay Time to 0, the session time will start immediately after the Start/Stop button is pressed.

5) Press the Start/Stop button. The “.3” will appear on the display. Nothing will be flashing.

6) To exit, press and hold both the Up and Down buttons together until the period goes away.

3. Using the T-Max[®] 005 as a Stand Alone Timer

3.1 Starting A Session

1) Press the Up or Down Button on the T-Mx[®] 005 until the desired session time is displayed. If the display shows a 0, and you want to go directly to the maximum time, press the down button once.

2) Press and release the Start/Stop button to start the session.

If a delay other than 0 is entered, the delay will count down. A period on the lower right corner of the display will flash rapidly. When the session starts, the period will flash at a once per second rate. If the delay is set to 0, the session will start immediately. If you have a delay and want to energize the tanning bed, press the Start/Stop button again.

Timer-3

3.2 Pausing A Session

To pause the session press the Start/Stop button. The flashing period on the lower right corner of the display will stop flashing and stay illuminated. To restart the session, press the Start/Stop button on the T-Max® 005. The period on the lower right corner of the display will resume flashing.

Note: The session time will continue to count down. The display will continue to update and reflect the remaining session time.

3.3 Canceling A Session.

To cancel a session, press the Start/Stop button to pause the session then press and hold the Up button until the remaining session time showing on the display disappears.

4. REMOTE SINGLE BED CONTROL

Remote Single Bed Control is the ability to control a single T-Max® 005 from a remote location. A T-Max® 3A is required for this configuration.

4.1 Wiring

Place a T-Max® 3A at the desired remote location. Wire the T-Max® 3A as shown in the T-Max® 3A user's guide.

Run the modular cable provided with the T-Max® 3A from the T-Max® 005 in the tanning room to the remote T-Max® 3A. Connect the modular cable to one of the RJ-22 ports on each T-Max® 3A (it does not matter which port the cable is connected to).

Note: If you are using the AP900 to connect the timers wireless, do not run the modular cable. Connect the AP900s to the T-Max® 005 and the T-Max® 3A as described in the AP900 user's guide.

4.2 Configuration

Set the address on the T-Max® 005 in the tanning room to "1" as described in section 2.2.1, and the address on the T-Max® 3A to "0" as described in the T-Max® 3A user's guide.

Note: When setting the address on the T-Max® 005, the power to the front desk T-Max® 3A must be off.

Use the T-Max® 3A to set the Delay as described in the T-Max® 3A User's Guide. Any delay time set on the T-Max® 005 will be ignored.

4.3 Session Control

Starting a session

1) Press the Up or Dawn Button on the T-Max® 3A until the desired session time is displayed. Time cannot be set from the T-Max® 005 in the room.

2) Press the Start/Stop button on the T-Max® 3A to start the session. If a delay other than 0 is set, the delay will count down. A period on the lower right corner of the display will flash rapidly. When the session starts, the period will flash at once per second rate. If there is no delay entered, the session will start immediately.

Timer-4

Pausing During the Session

To pause the session press the Start/Stop button on the T-Max® 005 in the tanning room. The flashing period on the lower right corner of the display will stop flashing and stay illuminated. To restart the session, press the Start/Stop button on the T-Max® 005. The period will continue flashing. The session cannot be paused from the T-Max® 3A in this configuration.

Note: The session time will continue to count down. The display will continue to update and reflect the remaining session time.

Canceling a Session

To cancel a session, press both the Start/Stop and Up buttons together on the T-Max® 3A. The session cannot be canceled from the T-Max® 005 in the tanning room.

5. USING THE T-Max® 005 WITH A T-Max® MANAGER OR T-MaX® MANAGER/PRO

If you are using T-Max® 005s with a T-Max® Manager or T-Max® Manager/Pro, follow these instructions for proper operation:

- 1) Set the address on each T-Max® 005 as described in section 2.2.1.

Note: If you have completed the auto addressing as described in your TMax® Manager user's guide, you do not need to address the T-Max® 005s manually. Skip this step.

Note 2: Set each T-Max® 005 to a different address. No T-Max® 005 should be set to address 0.

- 2) Using T-Max® Modular cables, connect the timers in a daisy-chain as shown in the T- Max® Manager User's guide.

Note: If you are using AP900s to connect the system wireless, do not run the modular cables. Connect the AP900s to the T-Max® Manager and to the T-Max® 005 as described in Section 6.3 and in the AP900 user's guide.

Note 2: Delay is controlled by the T- Max® Manager, the T- Max® Manager/Pro or the software you are using if you are using a computer. It is not necessary to set the delay on the T-Max® 3A. Refer to the T-Max® Manager or T-Max® Manager/Pro User's Guide for operation.

6. OTHER FEATURES

6.1 Clean Room

Once the session time has elapsed, the display will show two solid periods only. This is an indication that the room needs to be cleaned. To clear the clean room indication, press and hold the Up button on the TMax® 3A in the tanning room until the two periods disappear and a "0" appears. To disable the clean room feature, set parameter 9 to a 0. (Refer to Section 2.2)

6.2 Lamp Hours

To check and change Lamp Hours (or any other parameter), refer to Section 2.2.

6.3 Connecting the AP900

The AP900 allows you to connect the T-Max® 005 to the T-Max® System with out the need to run cables throughout your salon. Connect an AP900 OEM to the RJ-11 modular connector on the T-Max® 005. Mount the AP900 as described in the AP900 user's guide.

6.4 Third Party Interface (TPI) Mode

The Third Party Interface (TPI) mode is used for connecting the T-Max® 005 timer to a timing system other than the T-Max® Series.

Pins 3 and 4 on the RJ-22 modular port on the back of the I-Mix® 005 are used for TPI. Connect pins 3 and 4 on the top RJ-22 connector to the relay output of your third party interface controller. (Refer to Section 7.3, Figure C).

When the session is started, the third party timer will provide a contact closure to the input on the T-Max® 005. When the session is started, the T- Max® 005 will show the maximum time stored into that T-Max® 005 and the tanning bed will turn on. Once the session ends the front desk controller will remove the contact closure from the TPI input on the T-Max® 005 and the bed will turn off.

Any delay that the front desk timer uses cannot be eclipsed by the T-Max® 005. The customer must wait the full delay time, in which case the bed will automatically come on.

If the session time on the T-Max® 005 eclipses, but there is still contact closure on the input, a single period will be displayed on the T-Max® 005. Once the contact is removed from the TPI input, then the next session can be started.

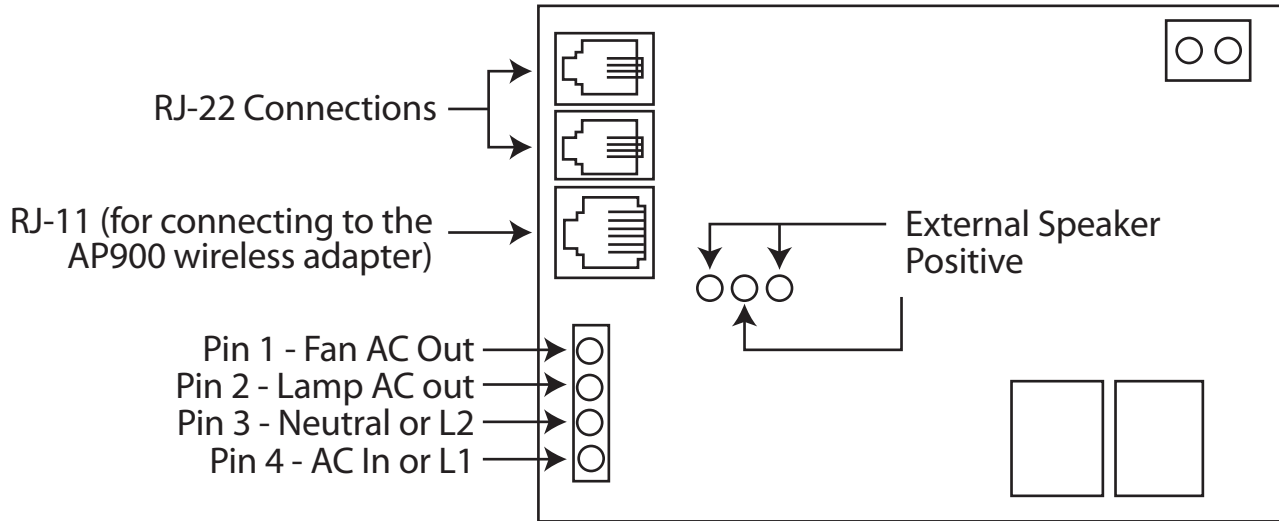
6.5 External Speaker

An external speaker can be connected to the T-Max® 005 to make the beep louder. A T-Max® Speaker must be used. Connect the speaker to the connections shown in Figure A, Section 7.1, Set parameter 20 on the T-Max® 005 to a 1 as described in Section 2.2.

7. FIGURES

Figure A - Front and Rear View Of the T-Max® 005

External Start. Connect a momentary push button to this terminal. This allows the user to press a button other than the Start/Stop button on the T-Max® 005 to start a session.

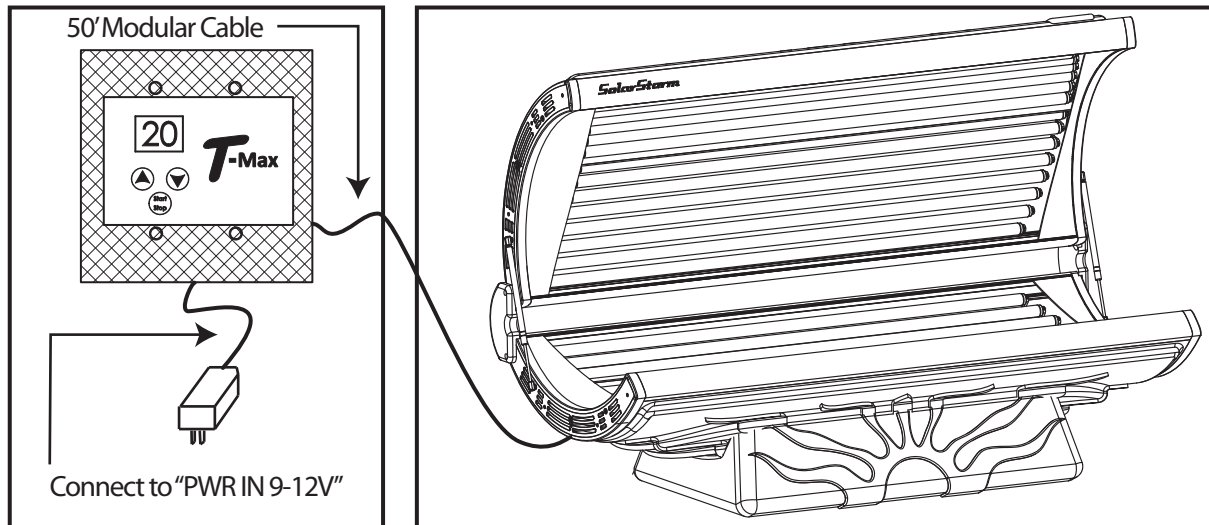


Rear View of the T-Max® 005 PCB

7.2 Figure B - Connecting the T-Max® 3A to a tanning bed with the T-Max® 005.

T-Max® 3A at front desk.

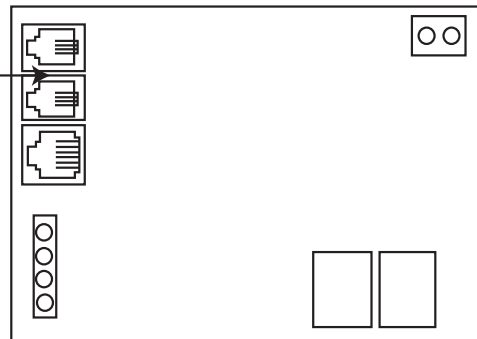
Because the t-Max® 005 is inside the tanning bed, you don't need a T-Max® 3A in the room. Simply connect the 50' modular cable to the RJ-22 connector on the tanning bed.



7.3 Figure C - TPI (Third Party Interface)

Pin 3 and 4 are used for TPI. Connect these two wires to the relay of your third party controller.

Parameter 19 must be set to a 1 for TPI to work.





THE TANNING BOOTH SHOULD BE COMPLETELY SHUT DOWN AND UNPLUGGED FROM POWER SOURCE BEFORE ANY CLEANING OR MAINTENANCE.

Preventive Maintenance for Your Tanning Booth					
Recommended Care	After Each Session	Weekly	Monthly	6 Months	Every 1000 hours
Clean goggles	x				
Inspect/clean vents		x			
Clean exterior of booth			x		
Inspect/clean reflectors				x	
Inspect/clean lamps				x	
Replace lamps					x

Cleaning and Maintenance



Warning. Disconnect booth from electrical power before cleaning.

IT IS NECESSARY TO THOROUGHLY CLEAN AND SANITIZE YOUR ACRYLIC AFTER EVERY USE TO ENSURE CAREFREE OPERATION AND TO MAXIMIZE ITS TANNING EFFICIENCY. THE ACRYLIC SHOULD BE CLEANED WITH A NON-ABRASIVE DISINFECTANT THAT DOES NOT CONTAIN AMMONIA AND/OR ALCOHOL. DO NOT USE COMMERCIAL CLEANERS SUCH AS WINDEX® OR 409®.

USE OF AMMONIA AND/OR ALCOHOL ON YOUR BOOTH WILL VOID THE WARRANTY!

When using Tanning Booth Cleaner, available at your Solar Storm Authorized Dealer, spray the booth lightly, and wipe with a soft cloth.

When cleaning the tanning booth, use a cotton towel which is much less abrasive than a paper towel. Never wipe with a dry cloth, as this will generate a slight static, which attracts dust.

Acrylic Removal



Warning. *Disconnect booth from electrical power before servicing.*

Important Note: If you are removing the acrylic from the door section, you must first remove the inner door handle with a Phillips screwdriver. There are two screws that attach the handle to the rail.

Step 1. Stand inside the booth. Using a small, flathead screwdriver, insert the flat head into the top end of the black trim strip that holds the side of the acrylic. Pry outward slowly to grasp edge of strip and continue to pull away from unit until it is completely removed. Repeat procedure for second trim strip.

Repeat step 1 as necessary for the acrylics on the other two sections of the booth

Step 2. With the flathead screwdriver, pry the acrylic up and over the lip in the booth rail. Begin by grasping the long edges of the acrylic which are now exposed. Step 3. Standing in front of the booth, grasp the long exposed edge of the acrylic and carefully slide it toward you until it is removed. BE CAREFUL – the edges of the acrylic may be sharp.

Acrylic Re-installation

Step 1. Seat the acrylic into the lip of the top and bottom end caps.

Step 2. Evenly slide it back into place by pushing from the front side while simultaneously grasping the opposite edge of the acrylic to support it away from the lamps and reflectors.

Step 3. Replace the trim strips starting at the bottom. Take one end of the black acrylic trim and press firmly onto the aluminum frame pushing into the opening. The longer flat edge of the trim must be against the top of the acrylic.

Step 4. Place the palm of your hand on the trim, and apply pressure along the edge until the trim is firmly in place.

Step 5. The door handle and/or hanging handles will now need to be replaced.

Lamp Removal & Re-installation

Solar Storm Lamps are rated up to 1000 hours of use. You may elect to change lamps sooner.

Step 1. After removing the acrylic, grasp a lamp at one end and at middle. Turn the lamp a quarter turn. The lamp may then be gently removed from its holder.

Step 2. Hold lamp with brand name label facing toward the acrylic and to the top side of the booth. To install the lamp, insert the pins located on the ends of the lamp into the slots on top of the lamp holder and turn the lamp a quarter turn to hold in place. Make sure that the writing on the lamp faces the acrylic.

For lamp replacement, refer to “Lamp Cleaning” section to follow. Lamps used longer than 1000 hours have lost their tanning power even though they will continue to light.

Only the following lamp has been certified for use in the SS36ST tanning booth:

- 2645 Inferno

You may purchase Solar Storm tanning lamps from your Solar Storm Authorized Dealer.



Only use lamps specified on the Sun Bed label.

Lamp Cleaning & Replacement

Depending on the amount of usage, it is recommended that you clean your lamps every six months. To remove the acrylic, refer to Table of Contents. After all the lamps have been removed, use a soft cloth and a non-abrasive cleaner to wipe down the aluminum reflectors. Take care not to scratch them because scratched or damaged reflectors will reduce the tanning capability of the tanning unit. Gently wipe the entire length of the lamp with a damp cloth to remove any film buildup. Vacuum reflector area using a soft brush attachment.

Helpful Service Hints	
Lamps will not light	<ul style="list-style-type: none"> • Is the tanning booth on using the timer system? • Is the tanning booth hard-wired into the electrical system properly? • Are the inter-connecting cords firmly in place? • Is your booth on a 30 Amp dedicated circuit breaker? • Check the power supply. You may have to reset the circuit breaker. This is due to not having a 30 Amp dedicated breaker or having too many devices on the proper breaker pulling too much amperage while tanning. • Verify that the voltage coming out of the wall is safe for this product. Your voltage should not exceed 250 Volts for 240 Volt models. • The lamp may not be locked into place. You may need to hand twist back into locking position • The lamp may be burnt out. Removal of the acrylic may be needed. Refer to the acrylic Removal section of this manual. Remove a lamp that lights and place it in the spot where the lamp was out. If this new lamp doesn't light in this position the ballast may need to be replaced. If it does light, the first lamp may need to be replaced.
Two or three lamps located next to each other are not lit	A ballast may require replacement, due to a power surge in your household electrical system. Contact your Solar Storm Authorized Dealer for replacement assistance.

Warning Label Information

DANGER Ultraviolet radiation. Follow instructions. Avoid overexposure. As with natural sunlight, overexposure can cause eye and skin injury and allergic reactions. Repeated exposure may cause premature aging of the skin and skin cancer. FAILURE TO WEAR 21CFR1040.20 EYEWEAR MAY RESULT IN SEVERE BURNS OR LONG-TERM INJURY TO THE EYES.

WARNING: Read the instruction booklet before using this sunlamp product. All persons in the room should wear protective eyewear when lamps are on. Recommended eyewear: Provided eye shields or equivalent eyewear as defined under 21CFR 1040.20. Other types of eyewear may not provide adequate protection. If discomfort develops, discontinue use and consult a physician.

Medications or cosmetics may increase your sensitivity to the ultraviolet radiation. Consult physician before using sunlamp if you are using medications or have a history of skin problems or think you are especially sensitive to sunlight. If you do not tan in the sun, you are unlikely to tan from the use of this product. Children, the elderly, or fair skinned people who always burn easily and either never tan or tan minimally, should not use this equipment.

To use, stand up in front of unit maintaining least 5 inches between your body and lamps, to avoid overexposure.

Never tan more than once a day and allow 48 hours between tanning sessions. Tanning normally appears after the first few sessions and maximizes after approximately four weeks. Tan once or twice per week thereafter to maintain desired appearance.

ONLY THE FOLLOWING LAMP HAS BEEN CERTIFIED FOR USE IN THIS EQUIPMENT:

2645 Inferno

RECOMMENDED EXPOSURE TIMES – IN MINUTES MAXIMUM EXPOSURE TIME IS 15 MINUTES

SKIN TYPE	WEEK:	1	2	3	4
1 Sensitive Skin (Burns easily and severely and does not tan)		NOT RECOMMENDED FOR TANNING			
2 Light (Burns easily and severely and tans minimally.)		4	6	8	10
3 Normal (Burns Moderately and tans average.)		6	8	10	13
4 Dark (Burns minimally, tans easily and above average.)		8	10	12	15

Disconnect power cord before attempting to clean, relamp, or engage in the maintenance of this product.

**Attention: This sunlamp product
should not be used on persons
under the age of 18 years.**

Contraindications

- This product is contraindicated for use on persons under the age of 18 years.
- This product must not be used if skin lesions or open wounds are present.

Warnings

- This product should not be used on individuals who have had skin cancer or have a family history of skin cancer.
- Persons repeatedly exposed to UV radiation should be regularly evaluated for skin cancer.

THIS PRODUCT IS IN CONFORMITY WITH PERFORMANCE STANDARDS FOR SUN LAMP PRODUCTS PER 21CFR878.4635 AND 21CFR1040.20. AS A RESULT, THIS PRODUCT MUST BE USED IN CONJUNCTION WITH 21CFR1040.20 APPROVED EYEWEAR AND COMPONENTS.

SolarStorm

SS36ST Commercial Tanning Booth

Manufactured by: LPI
506 Twin Oaks Dr. Johnson City, TN 37601
423-349-2900

Made in the U.S.A.