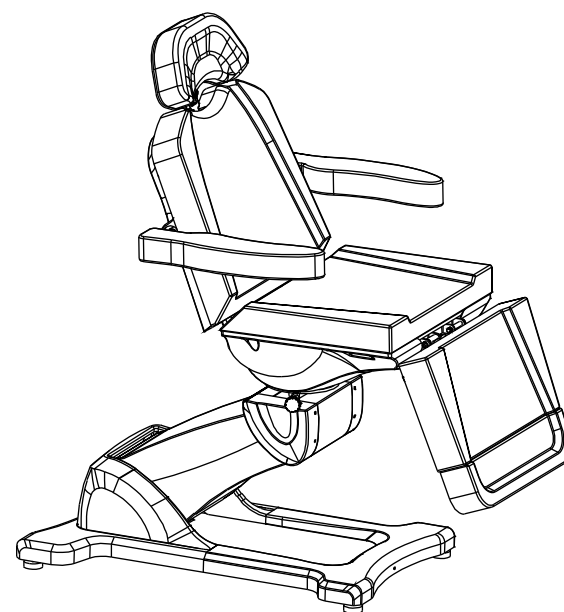


# DIR



INSTRUCTION MANUAL

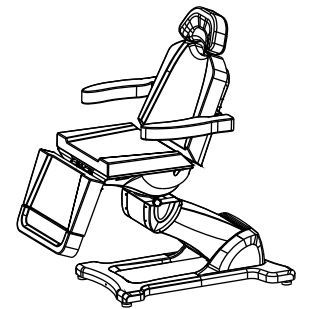
DIR

Pavo

# Contents

Product Introduction	1
Warranty	2
Product Information	3
Assembly Instructions	4
Operation Instructions	5
Suggestive instructions	13
Maintenance	14
Fault Diagnosis	15
Contact Us	16

Thanks for your purchase of our product :Pavo Facial Beauty Bed .  
Please read the operation manual before using the product.  
Please put the operation manual in the place easy for you to read and you can read it at any time.



## Product Introduction

Product Name: Pavo  
Product Code:8709

Thank you for placing your order with the DIR . Our materials inc. faux leather etc, are specially sourced to provide quality and performance, as well as meeting UK/EU safety regulations to ensure customer satisfaction.

All of our facial beauty bed are produced with strong resilient faux leather, tested by our manufacturer to ensure strength, memory, heat resistance and stain proofing. We also fit our facial beauty bed with fire-retardant, pre-moulded memory foam to ensure continual use and sustained durability which we offer a one year warranty to ensure customer confidence in our products and our company.



## Warranty

The warranty period is one year. Dream In Reality Group warrants to you, the original buyer, that goods shall be free of defects in material and/or workmanship attributable to manufacture for one year from date of buyer's receipt of product. Damage resulting from improper handling after merchandise is received, or from exposure to weather or extreme atmospheric conditions is not covered by the warranty. For any other information please contact our support team on +44(0)121 6433877

# DIR

## Product Specification

Dimension: 70X34.6X23.6"

Minimum Height: 23.6"

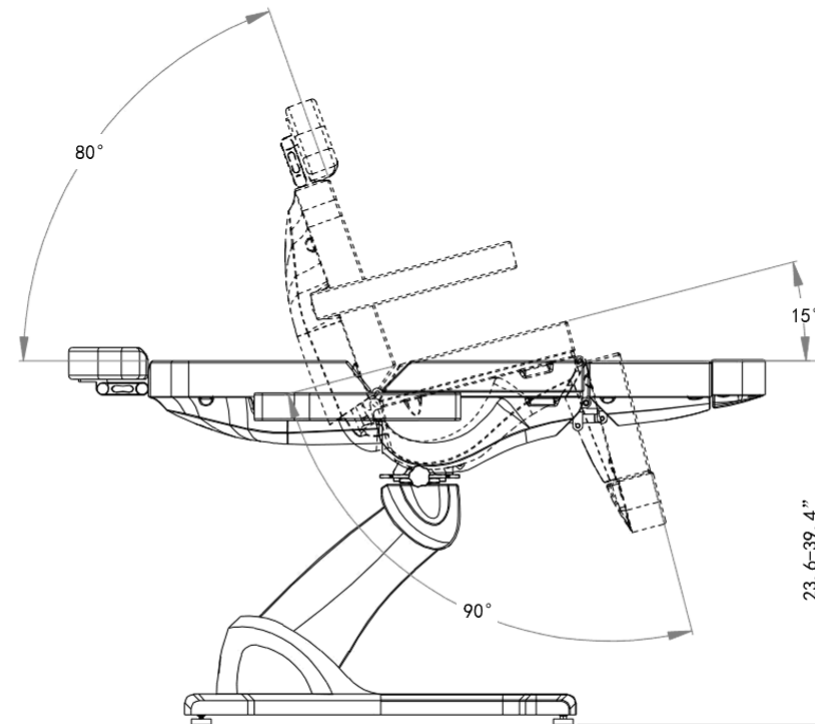
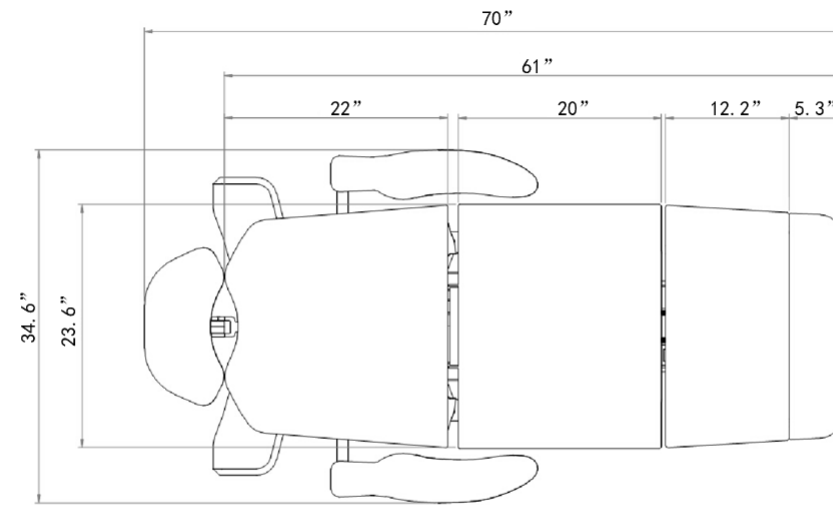
Maximum Height: 39.4"

N.W.: 86kg

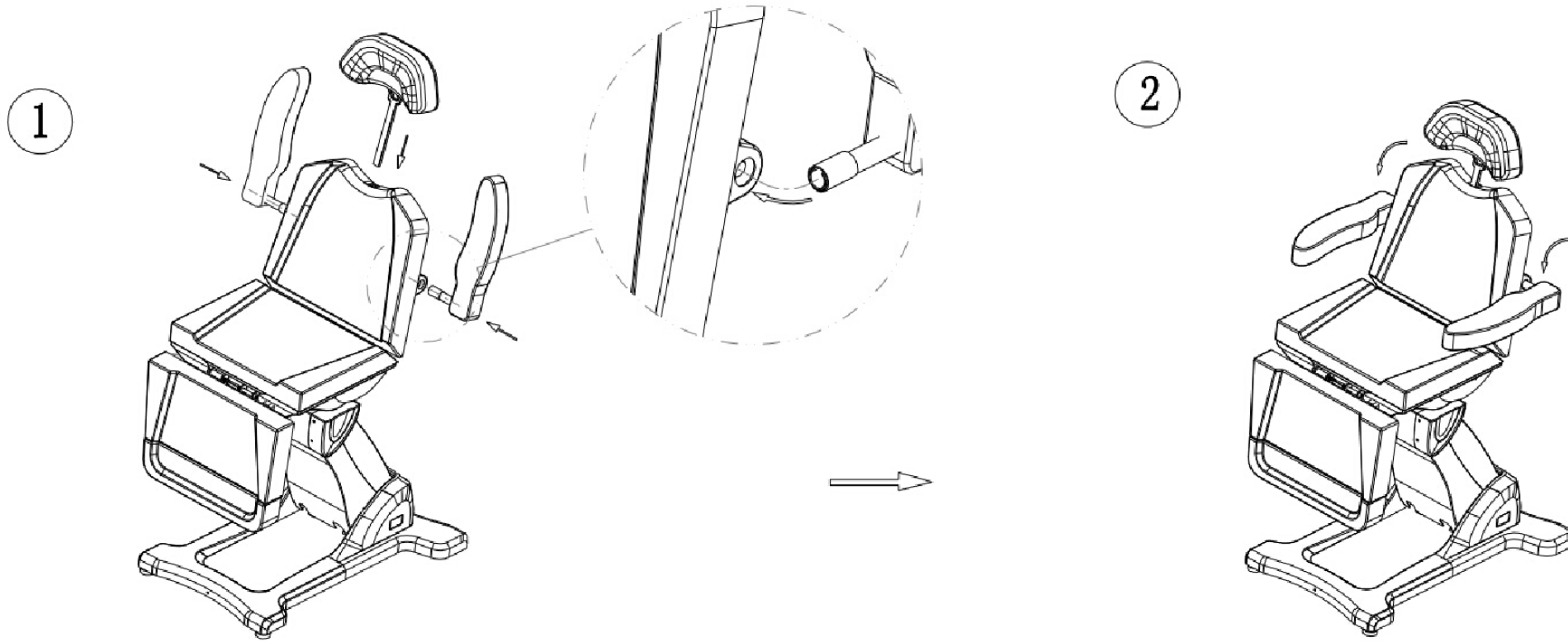
Max load capacity: 150kg (normal use)

Input voltage: AC 110V/50HZ

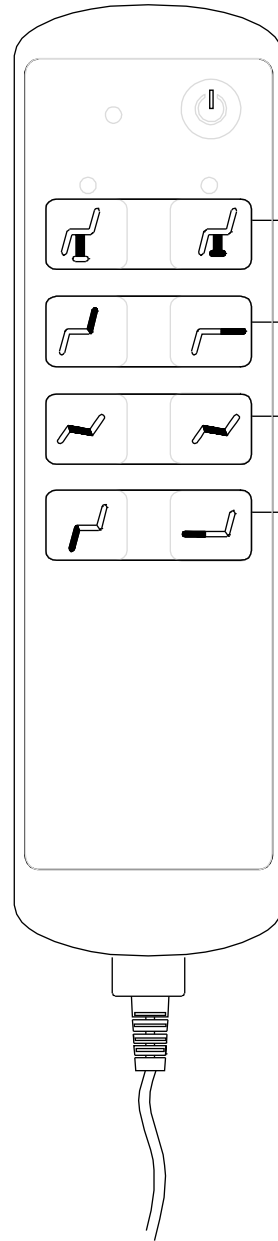
Output Voltage: DC 24V



# Assembly Instructions



# DIR



① The whole bed can be inclined up and down by pressing these buttons

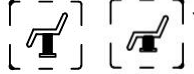
② The inclined angle of the backrest can be adjusted up and down by pressing these buttons

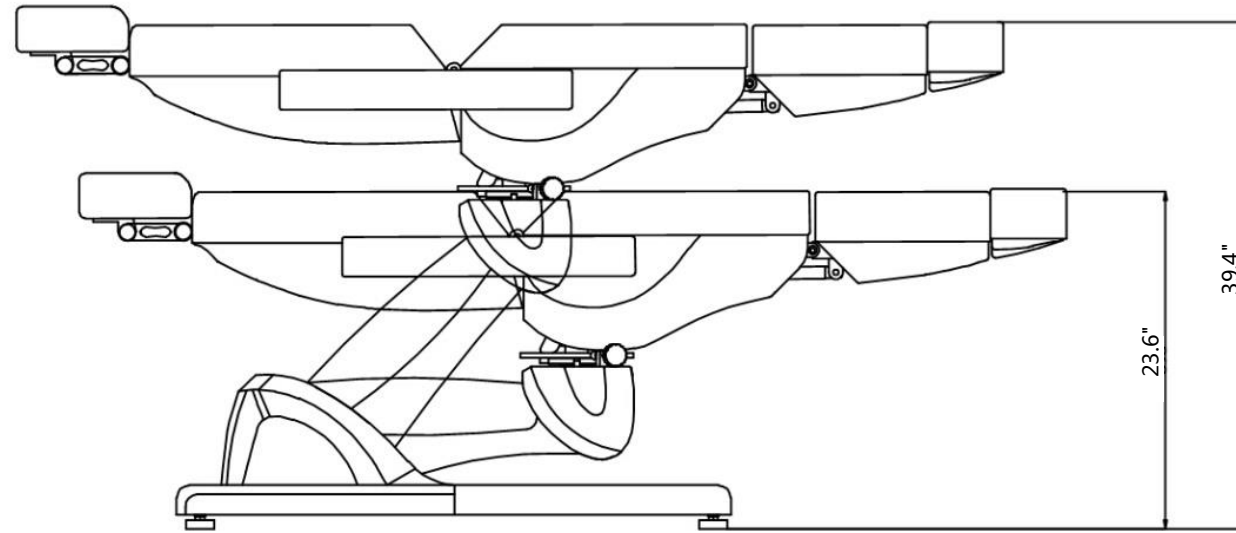
③ The inclined angle of the seat can be adjusted up and down by pressing these buttons

④ The leg can be controlled up and down by pressing these buttons

### The instruction

#### (1) The height adjustment

The whole bed can be inclined up and down by pressing these buttons: 

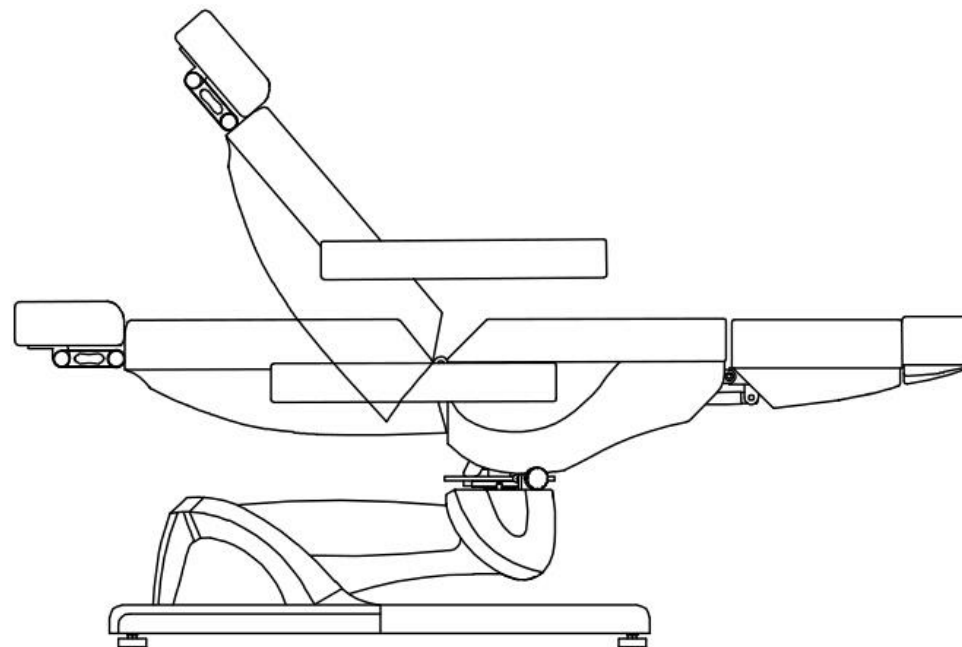
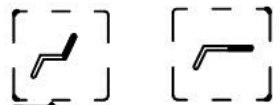




# DIR

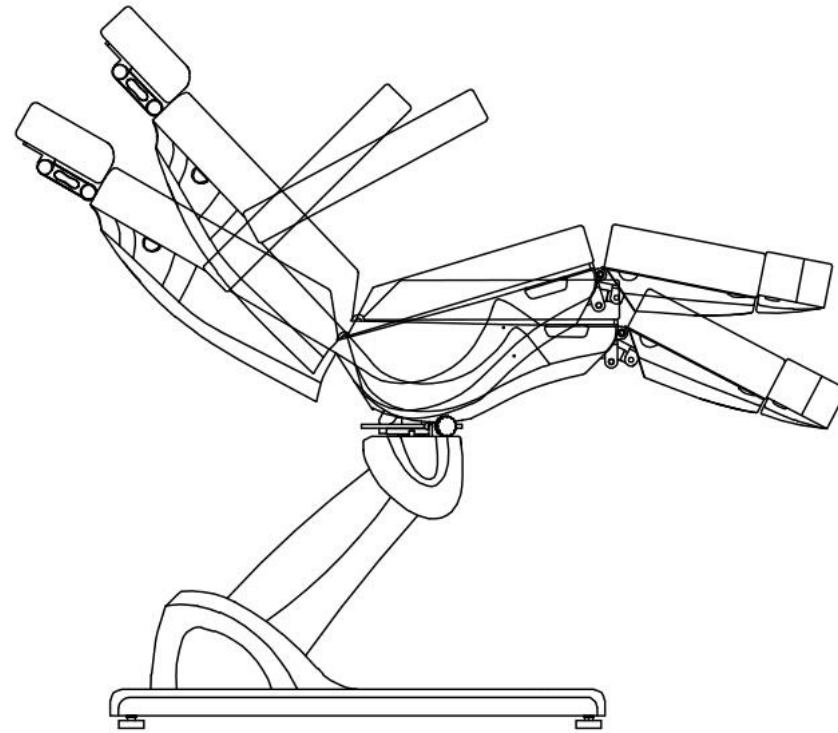
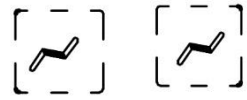
## (2) The backrest adjustment

The inclined angle of the backrest can be adjusted up and down by pressing these buttons:



(3) The seat adjustment

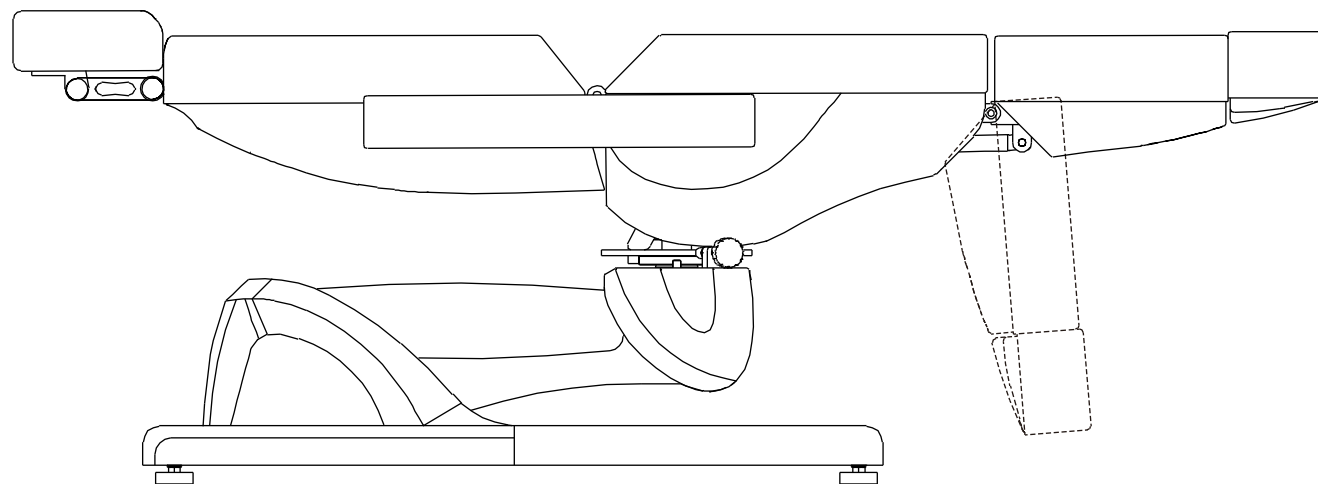
The inclined angle of the seat can be adjusted up and down by pressing these buttons:



# DIR

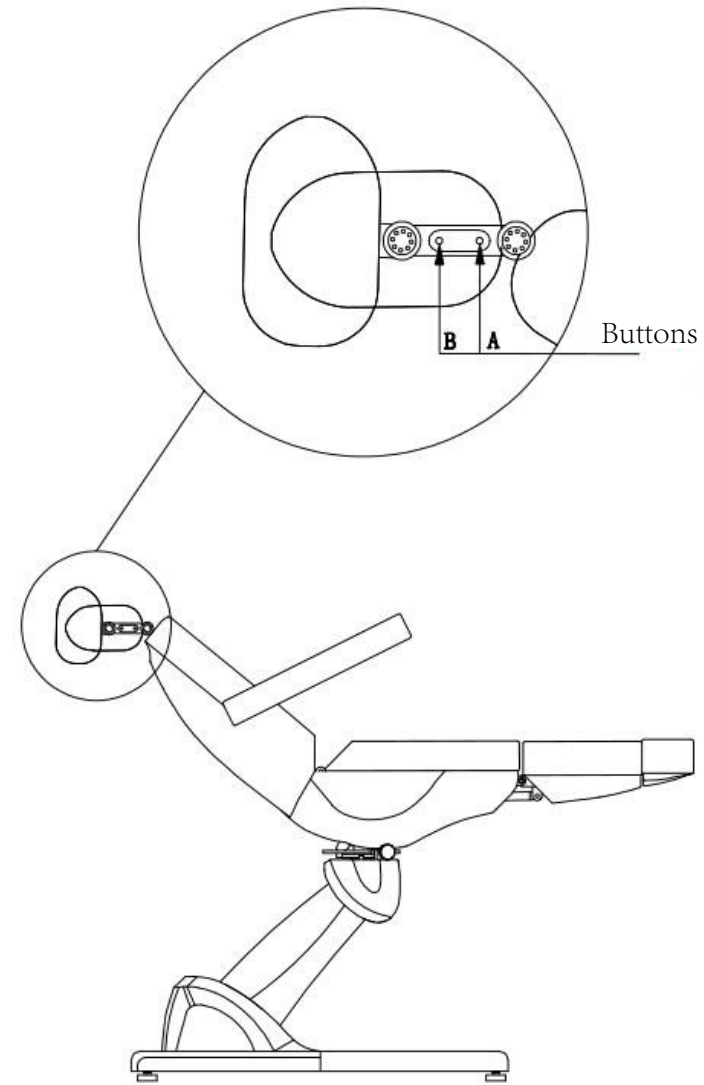
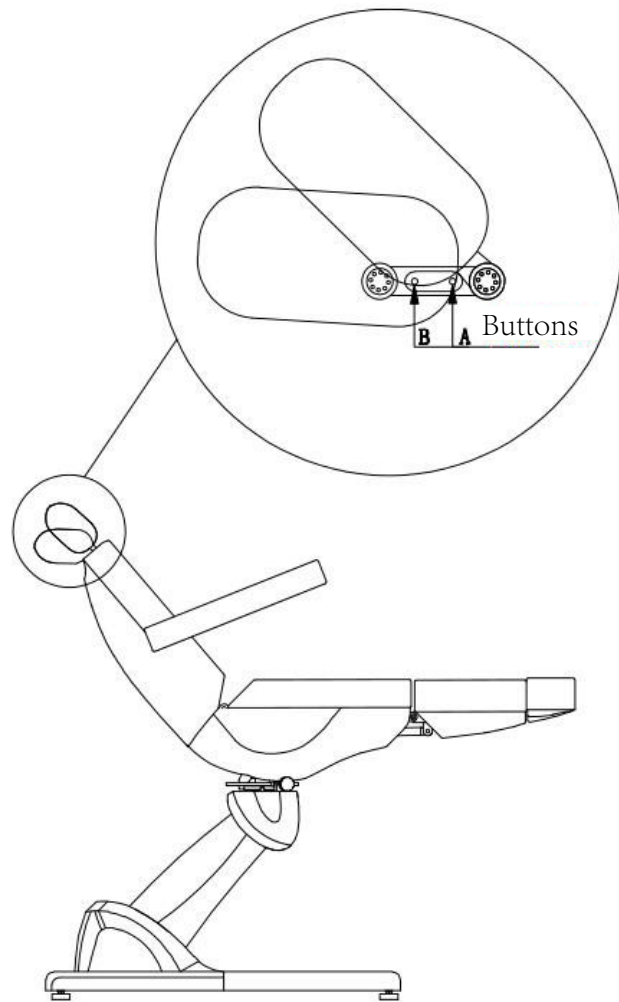
(4) The footrest adjustment

The footrest can be controlled up and down by pressing these buttons:

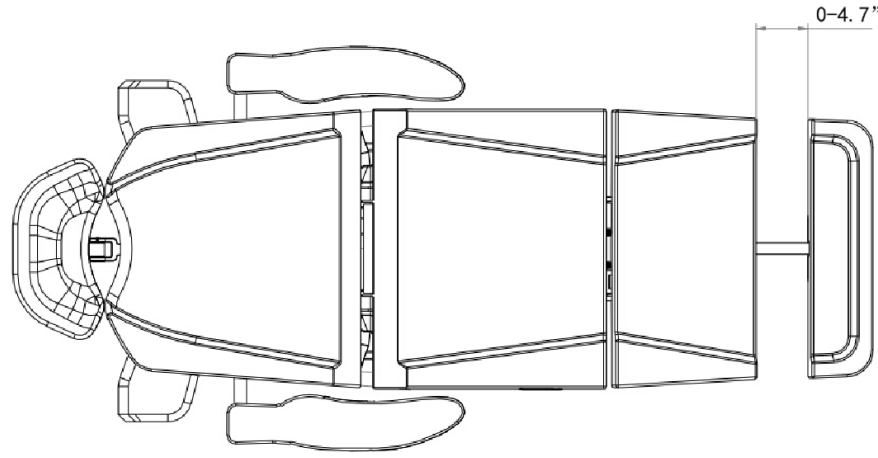


(5) The pillow adjustment

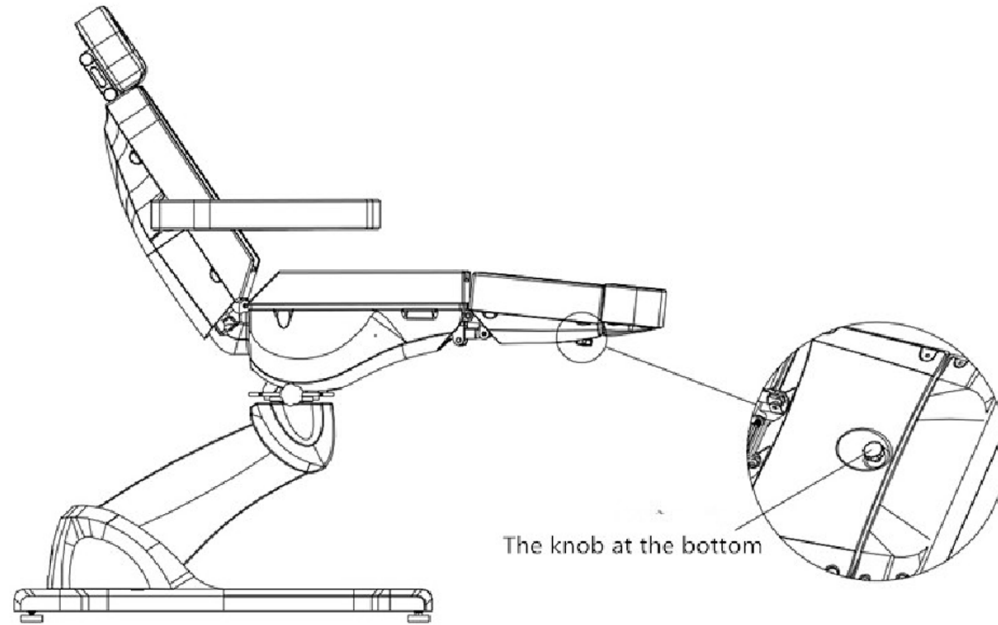
The inclined angle of the whole pillow can be adjusted if you press the button A. And the retroflexion of the pillow can be adjusted individually if you press the button B.



# DIR

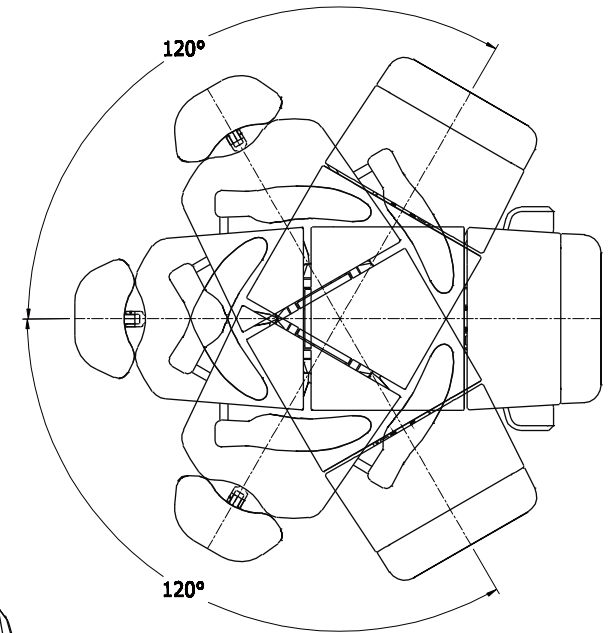
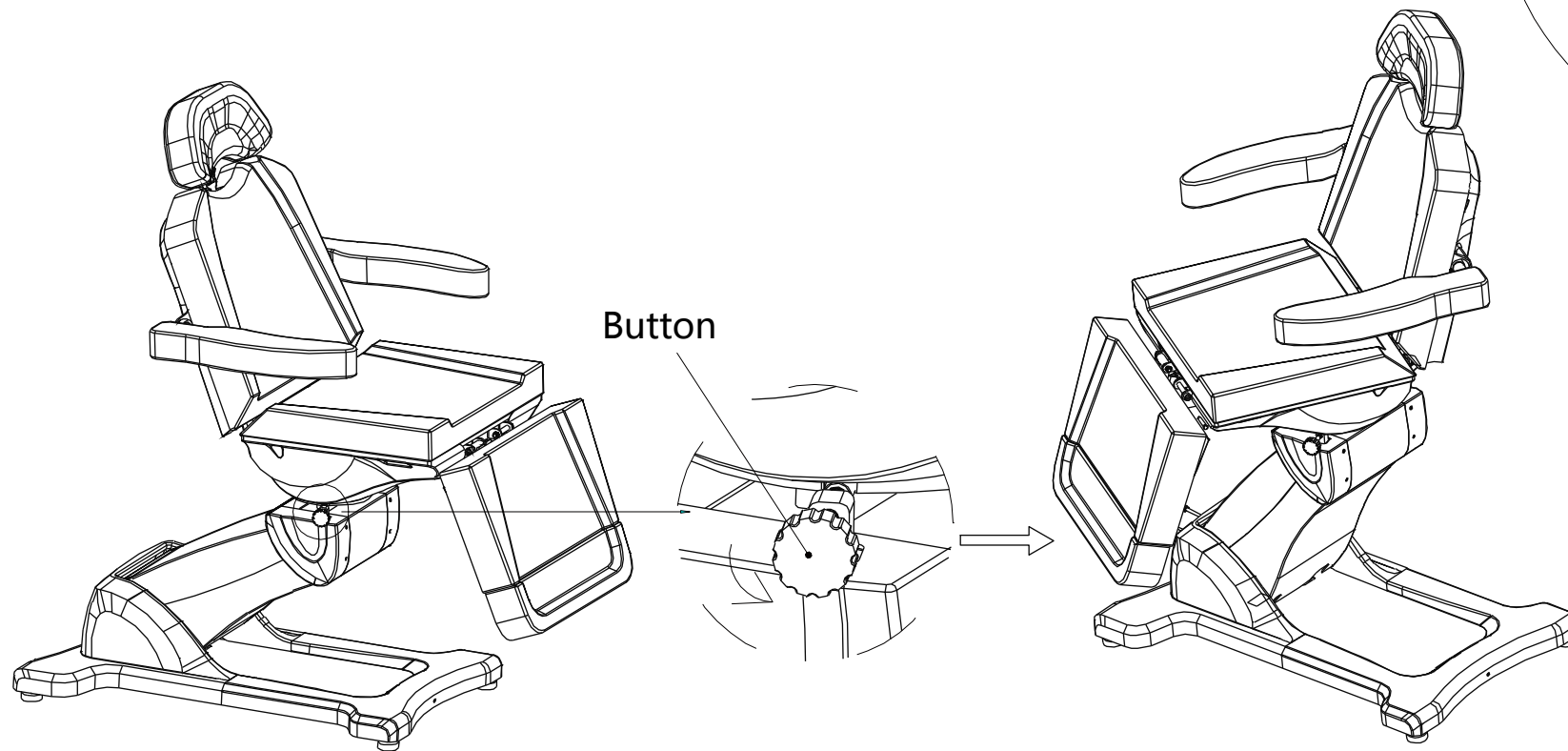


- (6) The footrest instruction  
The footrest is flexible and its length can be extended if you press the knob at the bottom of the footrest.



(7) The rotation function

This beauty bed has a rotation function. First, you arrow shows you in the picture, and then you should move the surface of the beauty bed. When the beauty bed is rotated to  $\pm 120^\circ$ , no matter it is left side or right side, these two angles can be fixed because of the designed card slots at the inner turntable.



# DIR

## Suggestive instructions

- (1) This user manual should be reviewed carefully before it is connected, used or adjusted.  
And this user manual should be taken good care.
- (2) This electric massage bed uses a three-wire power cable. Meanwhile it should be inserted into the three-hole outlet where there is a ground electrode. And it should be assured that it can be connected to the ground electrode smoothly so that it can be prevent people from getting electric shock while functioning normally.
- (3) All the plugs, buttons and other component connected to the power cable must not dip in the water or the liquid.
- (4) It is forbidden to use when plugs, buttons and other components connected to the power cable are broken.
- (5) The maintenance should be dealt with official training.

## Maintenance

1. Daily cleaning

You can wipe out the dust by using soft dry towel.

2. Eliminating the stubborn dirt

As we all know, it is hard to eliminate the stubborn dirt by using normal dry towel. In this case, you can use soft towel with diluted neutral detergent to clean it first. And then you can use dry towel to scrub.

3. It's prohibited to use benzene, diluent, gasoline or other solvent.

These solvents may damage the leather or it may cause the corrosion of the products' appearance.

4. Storage and operating environment

Don't put the product under the strong sunlight and moisture environment. Otherwise it may cause the damages of the product.

5. It is allowed to use this product under the temperature from  $-5^{\circ}\text{C}$  to  $50^{\circ}\text{C}$  and the humidity from 45% to 85%.



# DIR

## Fault diagnosis

If there is something wrong when you use the product, please try to check and eliminate the wrong operation as followings.

Phenomenon	Diagnosis	Operation of elimination
Press the button on the remote but without any responses.	<ol style="list-style-type: none"><li>1. The function of control button has reached to maximum.</li><li>2. To check if the power plug is connected.</li><li>3. To check if each connecting plug of the transformer is connected.</li></ol>	<ol style="list-style-type: none"><li>1. Try to press other control button.</li><li>2. Disconnect the power plug and connect it again.</li><li>3. Disclose the chassis. Discharge the plug and connect it again.</li></ol>
Letting out noises and shaking while going up and down	Screw loosen	Tighten all the screws

**Remarks:** It will be not informed if the improvements of the product do not influence appearance and function.

## Contact Us

### DIR Birmingham

93-96 Floodgate Street  
Birmingham  
B5 5SR  
UK

Sales: +44(0)800 085 3667

Customer Service: +44(0)121 6433877

Fax: +44(0)121 6333291

Email: [sales@dirgroup.co.uk](mailto:sales@dirgroup.co.uk)

[www.dirgroup.co.uk](http://www.dirgroup.co.uk)

### DIR Cologne

Widdersdorfer-Straße 205  
50875 Köln  
Germany

Sales: + 49 (0) 221 / 88888.128

Fax: + 49 (0) 221 / 88888.122

Email: [sales@dirgroup.de](mailto:sales@dirgroup.de)

[www.dirgroup.de](http://www.dirgroup.de)

### DIR London

Unit 1 River Road Business Park  
33 River Road, Barking  
Greater London IG11 0DA  
UK

Sales: +44(0)20 8591 9310

Fax: +44(0)20 8594 4147

Email: [sales.london@dirgroup.co.uk](mailto:sales.london@dirgroup.co.uk)

[www.dirgroup.co.uk](http://www.dirgroup.co.uk)

### DIR New York

24 Woodward Ave, Suite C,  
Ridgewood, NY 11385  
USA

Sales: +1 718-628-6668

+1 (800)728-2008

Fax: +1 855-628-5168

Email: [sales@dirsalonfurniture.com](mailto:sales@dirsalonfurniture.com)

[www.dirsalonfurniture.com](http://www.dirsalonfurniture.com)

### DIR Manchester

Unit 1c, Abito  
85 Greengate  
Manchester M3 7NA  
UK

Sales: +44(0)161 8327333

Fax: +44(0)161 8323325

Email: [sales.manchester@dirgroup.co.uk](mailto:sales.manchester@dirgroup.co.uk)

[www.dirgroup.co.uk](http://www.dirgroup.co.uk)

If you have any enquires regarding the product warranty, please contact our customer services team .

# DIR

[www.dirgroup.co.uk](http://www.dirgroup.co.uk)

**DIR** *(Headquarters)*

93-96 Floodgate Street, Birmingham, B5 5SR, UK | TEL: +44(0)800 0853667 +44(0)121 6433877 | Email: [customerservice@dirgroup.co.uk](mailto:customerservice@dirgroup.co.uk)