

USER MANUAL

soloTAN™ Series

studioTAN™ Series (formerly miniTAN™)

salonTAN™ Series

CONTENTS

Model Details	2
Safety Precautions	3 - 5
Getting Started	6 - 7
Parts Diagram	8 - 11
Spray Patterns	12 - 13
Spraying Techniques	14
Cleaning and Maintenance	15 - 19
Troubleshooting	20 - 23
Warranty Information	24
CE Declaration	Back Cover

USER MANUAL

Thank you for purchasing your Fuji Spray® Sunless Spray Tanning System. This product has been designed to provide an efficient application of tanning solution products. Please read this user manual to understand how to operate your Spray Tanning System and you will be able to accomplish a flawless tan with every application.

MODEL DETAILS

The 4200 T-PRO BOTTOM FEED SYSTEM is packaged with:

- 1) Turbine (soloTAN™, studioTAN™ or salonTAN™) with Power Cord
- 2) Air Hose
- 3) T-PRO Bottom Feed Applicator installed with 0.8mm Aircap Set
- 4) Extra 2 Duck Bills and 1 Pressure Tube
- 5) User Manual, Cleaning Brush and Wrench

NOTE: The 4200 T-PRO Applicator is a “Bleeder” style Applicator. This means air will continuously flow out of the front of the Applicator as soon as the Turbine is turned on, whether you engage the Trigger or not.

The 4000 T-PRO GRAVITY FEED SYSTEM is packaged with:

- 1) Turbine (soloTAN™, studioTAN™ or salonTAN™) with Power Cord
- 2) Air Hose
- 3) T-PRO Gravity Feed Applicator installed with 1.0mm Aircap Set
- 4) User Manual, Cleaning Brush and Wrench

NOTE: The 4000 T-PRO Applicator is a “Non-Bleed” style Applicator. This means when the Trigger is not engaged, no air will flow through the front of the Applicator. The spray tan will immediately start when the trigger is engaged.

The TAN7350 BOTTOM FEED SYSTEM is packaged with:

- 1) Turbine (soloTAN™, studioTAN™ or salonTAN™) with Power Cord
- 2) Air Hose
- 3) M-TAN Bottom Feed Applicator installed with 0.8mm Aircap Set
- 4) User Manual, Cleaning Brush and Wrench

NOTE: The TAN7350 Applicator is a “Bleeder” style Applicator. This means air will continuously flow out of the front of the Applicator as soon as the Turbine is turned on, whether you engage the Trigger or not.

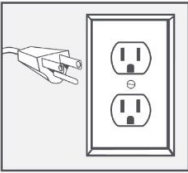
SAFETY PRECAUTIONS

Please read these instructions carefully before using the equipment.



GROUNDING

This appliance must be grounded. If it should malfunction or break down, grounding provides a path of least resistance for electric current to reduce the risk of electric shock. This appliance is equipped with a cord having an equipment-grounding conductor and grounding plug. The plug must be inserted into an appropriate outlet that is properly installed and grounded in accordance with all local codes and ordinances.



This appliance is for use on a nominal 120-volt circuit and has grounding attachment plug that looks like the plug illustrated. Make sure that the appliance is connected to an outlet having the same configuration as the plug.

Please Note For UK, Australia, Asia etc. your voltage will be 220-240v. Check the label on the base of the turbine to ensure your unit is at the correct voltage for your location.*



ELECTRIC SHOCK HAZARD

Improper connection of the equipment grounding conductor can result in the risk of electric shock.

- Check with a qualified electrician or service-person if you are in doubt as to whether the outlet is properly grounded.
- Use only a 3-wire extension cord that has a 3-blade grounding plug and a 3-slot receptacle that accepts the plug on the product.
- An undersized cord results in a drop in line voltage and loss of power and overheating.
- Do not modify the plug provided with the appliance. If it will not fit the outlet, have a proper outlet installed by a qualified electrician.
- To reduce the risk of electric shock or injury, do not expose to rain.
- Never allow unit to freeze.
- Always store the unit inside in a dry location. Store on the floor if in a basement setting.
- The operator must wear shoes and the floor must not be wet.



TOXIC FLUID OR FUMES HAZARD

Toxic fluids or fumes can cause serious injury or death if splashed in the eyes or on skin, inhaled, or swallowed.

- Always wear appropriate gloves and eye protection.
- Always wear a mask. Read all instructions of the respirator or mask to ensure that it will provide the necessary protection against the inhalation of harmful vapors. Please also check with the local jurisdiction.
- Tanning Solution and other materials may be harmful if inhaled.



FIRE AND EXPLOSION HAZARD

Turbine must not be used in an area contaminated by volatile or flammable materials since sparking can be expected in the normal operation of the motor. This could ignite the contaminants causing a dangerous explosion.

- Do not spray flammable or combustible materials near an open flame or sources of ignition such as cigarettes, motors, and electrical equipment.
- Keep spray area well-ventilated. Keep a good supply of fresh air moving through the area. Keep turbine in a well-ventilated area. Do not spray turbine.
- Do not smoke in the spray area.
- Do not operate light switches, engines, or similar spark producing products in the spray area.
- Keep area clean and free of flammable materials.
- Fire extinguisher equipment shall be present and working.
- Turn off and disconnect power cord before servicing equipment.
- Ensure ground prongs are intact on sprayer and extension cords.
- Never use 1,1,1-trichloroethane, methylene chloride, other halogenated hydrocarbon solvents or fluids containing such solvents in equipment with aluminum wetted parts. Such use could result in a serious chemical reaction, with the possibility of explosion. Consult your fluid suppliers to ensure that the fluids being used are compatible with aluminum parts.



EQUIPMENT MISUSE HAZARD

Misuse of equipment can cause serious injury or death.

- Do not operate or spray near children. Keep children away from equipment at all times.
- Do not overreach or stand on an unstable support. Keep effective footing and balance at all times.
- Stay alert and watch what you are doing.
- Do not operate the unit when fatigued or under the influence of drugs or alcohol.
- Do not kink or over-bend the hose.
- Do not use the hose as a strength member to pull or lift the equipment.
- Do not cover turbine case as this will restrict air to the intake and result to overheating and premature failure of the motor.
- Do not carry turbine while spraying.
- Check the hose, hose connectors and power cord daily. Any worn or damaged parts should be replaced immediately.
- Use only genuine Fuji Spray replacement parts.
- Never place the Turbine up high, doing so can cause unnecessary overheating.
- Under no circumstances should you open the Turbine Case. Except for filter cleaning or filter replacement, there is NO maintenance required for the Turbine unit. If there is any malfunction, unplug the unit and call us for technical assistance.



Prop 65 Warning for California Residents

WARNING: This product may contain chemicals known to the State of California to cause cancer, birth defects, or other reproductive harm.

GETTING STARTED

HOSE CONNECTION

Connect the end of the Hose (female connector) to the Turbine Air Outlet located on the front of the turbine. This is a simple threaded connector.

Hand + tight is enough - it is not necessary to use a wrench. This must not be over tightened.



FIGURE 1

The Hose is equipped with a brass Quick-Connect Coupler for easy attachment to the Applicator. To attach the Applicator to the hose, slide back the Collar on the brass Quick-Connect Coupler (See Figure 1).

Insert the Male Fitting at the base of the Handle on the Applicator into this Quick-Connect and release the Collar. You should feel the fitting click into place.

APPLICATOR

To flush out any debris that may have accumulated during assembly or shipping, we recommend spraying a small quantity of water through the Applicator. Before tackling any spray tanning, we suggest you experiment with plain water until you become familiar with all the controls.

TURBINE

The Turbine has been designed and built with a Breaker Switch. This essential component will switch the turbine off in the event that there is overheating or electrical malfunction. To avoid any overheating, ALWAYS ensure that Filter(s) are in place and clean, and that the Air Hose is NEVER kinked.

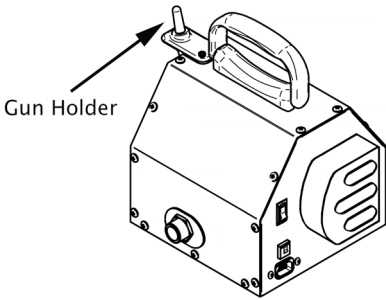


It is normal for the turbine air outlet (manifold) to become hot during use, please allow your Turbine to cool for a few minutes before removing the hose from the turbine manifold.

NOTE: *The salonTAN™ Turbine has only one filter (part # 5029), studioTAN™ Turbine has two filters (part # 7224-2), and soloTAN™ has one filter (part # 7455).*

GUN HOLDER INSTALLATION

studioTAN™ and salonTAN™



The two holes on the top of the holder require the black screws and washers included with this hardware. These screws fit into Threaded Inserts in the Metal Case. Do not overtighten – snug is fine.

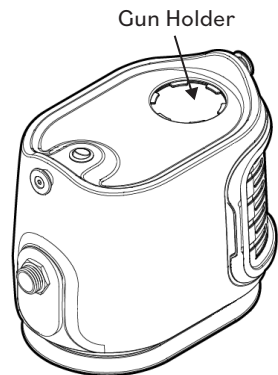
The single Silver-Colored Screw must be installed to the single side hole of the Gun Holder. Once again, please do not overtighten this screw – snug is fine.

GUN HOLDER USE

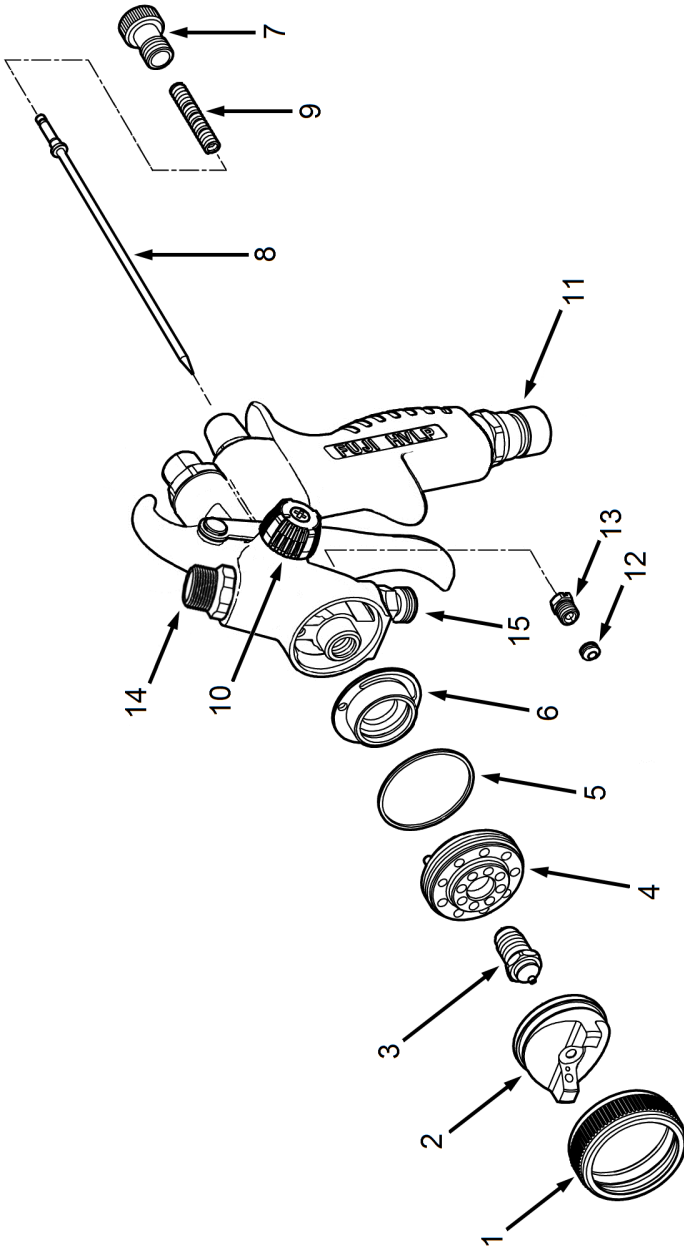
Place the Hose Connector #11 (base of the Applicator's Handle) over the shaft of the Gun Holder shown in above illustration. Please ensure it is fully set down to the base of the shaft. The Applicator will now sit stationary. The Applicator can be left on the Holder for any length of time. It is a convenient resting place between spray tans.

soloTAN™

The SoloTAN turbine conveniently has a built-in gun holder on the top of the machine. The slot will house the cup with applicator securely when not in use. Transporting the turbine unit with applicator in the slot is not advisable.



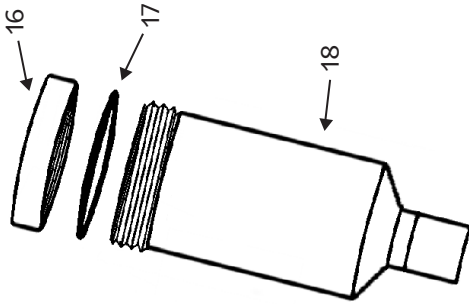
T-PRO APPLICATOR



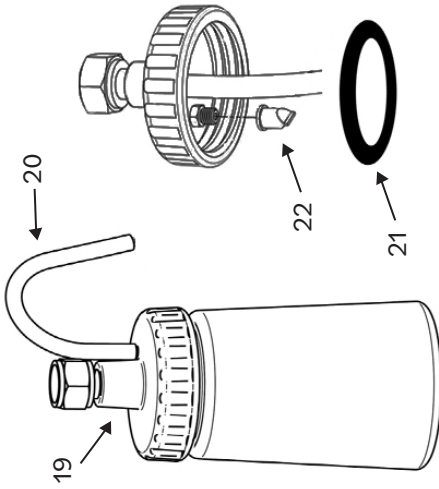
T-PRO APPLICATOR

ITEM	PART	NAME
1	5201	Collar
2	5302	Aircap
3	5303	Fluid Nozzle
4	5204	Air Diffuser
5	5205	Air Diffuser Seal
6	5207	Air Divider with Seal (5206)
7	5221	Fluid Knob
8	5219	Needle
9	5220	Needle Spring
10	5225	Fan Pattern Control Knob
11	5229	Hose Connector*
12	5209	Needle Packing
13	5210	Needle Packing Nut
14	5211	Fluid Coupler (4000 T-PRO)*
15	5208	Fluid Coupler (4200 T-PRO)*
16	8088	Cup Lid
17	8181ST	Gasket
18	8245T	3oz. Teflon Gravity Cup
19	9823DB	Cup Assembly
20	2025	Pressure Tube
21	8201ST	Lid Gasket
22	5120	Duck Bill

GRAVITY FEED CUP 4000 APPLICATOR



BOTTOM FEED CUP 4200 APPLICATOR

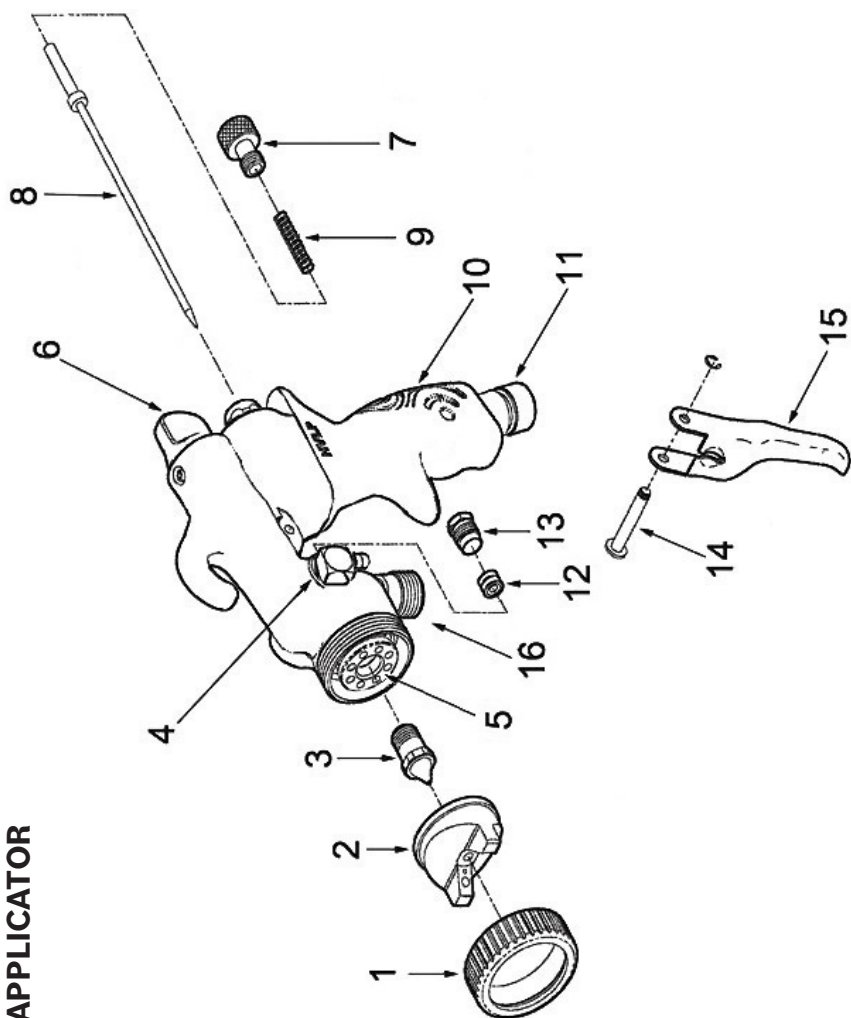


Parts indicated with * are not removable.

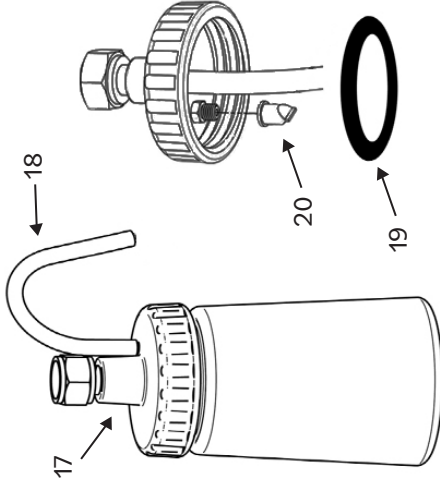
T-PRO APPLICATOR

TAN7350 APPLICATOR

TAN7350 APPLICATOR



BOTTOM FEED CUP TAN7350 APPLICATOR



ITEM	PART	NAME
1	2301	Collar
2	2302	Aircap
3	2306	Fluid Nozzle
4	2304	90 Degree Nipple*
5	2303	Diffuser
6	2338A	Pattern Control Knob*
7	2307	Fluid Knob
8	2314	Needle Assembly
9	2309	Needle Spring
10	2310	Handle
11	2311	Hose Connector*
12	2312	Needle Packing*
13	2313	Needle Packing Nut*
14	2330	Trigger Pin*
15	2315	Trigger*
16	2316	Fluid Coupler*
17	9823DB	Cup Assembly
18	2025	Pressure Tube
19	8201ST	Cup Lid Gasket
20	5120	Duck Bill

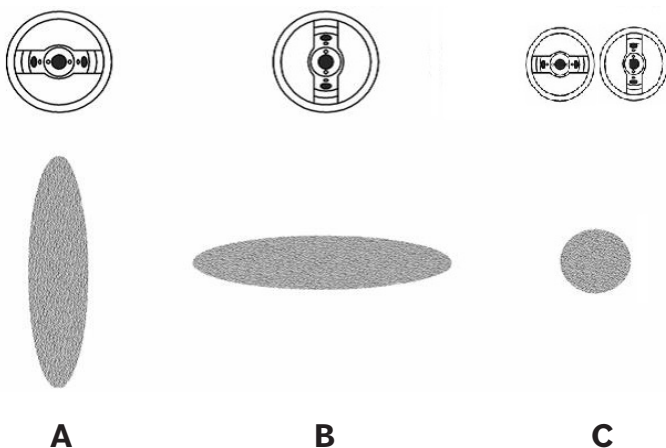
*Parts indicated with * are not removable.*

TAN7350 APPLICATOR

SPRAY PATTERNS

On the 4000 and 4200 T-PRO Applicators, the Fan Pattern Control #10 is located on the front-right side of the Applicator (if looking from the front). To produce a wide fan pattern, turn Pattern Control Knob clockwise. For a smaller fan pattern, turn counterclockwise. Then go into adjusting fluid output in tandem.

On the TAN7350 Applicator, the Fan Pattern Control Knob #6 is located on the rear of the Applicator. To produce a wide fan pattern, position the Pattern Control Knob vertically. For a smaller fan pattern, position horizontally. Then go into adjusting fluid output in tandem.



- A.** This pattern is used when spraying from side to side.
- B.** This pattern is used when spraying up and down.
- C.** This pattern is used for touch-ups.

In order to set your Applicator to a specific spray pattern, loosen the Collar #1, turn the Aircap #2 to the desired position. To lock it in position, tighten the Collar #1 clockwise until it stops turning. Always make sure the Collar is snug tight. Do not over-tighten.

Setting the Aircap in a vertical position – diagram B on page 12 produces a horizontal spray pattern. This pattern is the most useful and simplest pattern shape for spray tanning. We recommend that you set and leave the Aircap in this position.

For spray tanning, the general setting is about 4 inches wide from 6 inches distance away. This is a personal preference. If you turn the fan pattern to a round spray pattern you will have to reduce the amount of tanning solution by turning the Fluid Knob #7. If you do not do this, you will get runs. You can use this much smaller pattern to “touch up” areas such as bikini strap lines or to enhance certain areas such as the abdominals. For best results, hold the Applicator closer to your subject (as close as 1 inch or less).

To set the fluid output, turn the Fluid Knob #7 clockwise until you cannot pull the Trigger. DO NOT over-tighten this Fluid Knob as this will cause damage to the end of the Needle.

Then turn counter clockwise a little until a small amount of solution is released from the Nozzle when you press the trigger. Once you set the solution to your liking, you can leave it in this position.

Always remember that if there is not enough solution, you can turn the Fluid Knob counter clockwise for more output (See Figure 2).

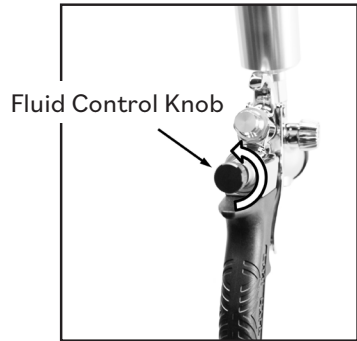


FIGURE 2
Rear view of the
T-PRO Applicator

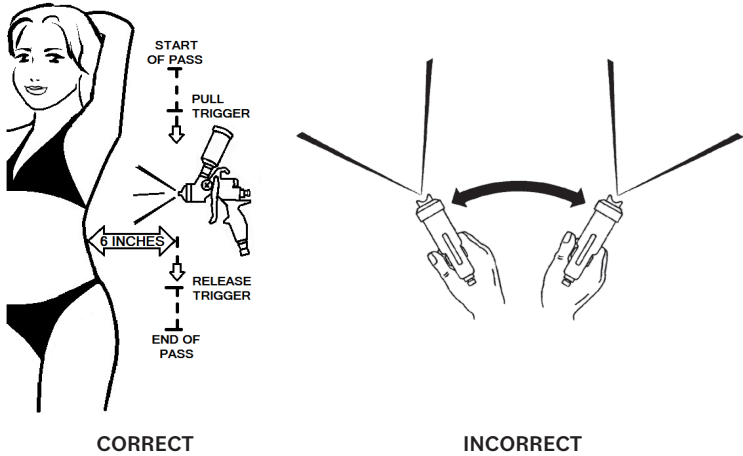
SPRAY TECHNIQUES

When spraying, move the Applicator at a medium, steady speed, keeping the distance of the Applicator the same throughout the spray application.

Always keep the solution cup as close to vertical as possible. Pointing the Applicator too far upwards on an angle may cause the liquid to cease flowing temporarily.

After use, never lay the Applicator on its side - liquid will run out of the gravity cup (for gravity T-PRO model) or pressure tube (for bottom feed model). Instead, use the gun holder.

If you wish to change the direction of the spray pattern, rotate the position of the Aircap rather than tilting the Applicator to its side.



Start moving the Applicator in the direction you are going to spray before pressing the Trigger.

The Trigger must be pulled immediately after you begin to move. This is the secret of avoiding runs. Never start spraying without having your hand in motion. Overlap each successive pass by about one third the size of the spray pattern (2 inches). This will result in even coverage.

Always keep Applicator perpendicular to the person you are spraying. For spray tanning, the horizontal spray pattern will give the best results, reduce overspray and shorten spraying time. Always use vertical passes to make it easy on your spraying technique.

CLEANING AND MAINTENANCE

Tanning solution should not be left in the Applicator's cup overnight. It dries and hardens leaving a film throughout the fluid passages. Over time, the fluid passages can become clogged. To prevent this, spray soapy water through the Applicator periodically. Always keep the Applicator clean and dry for next spray. It is important to clean the Applicator daily.

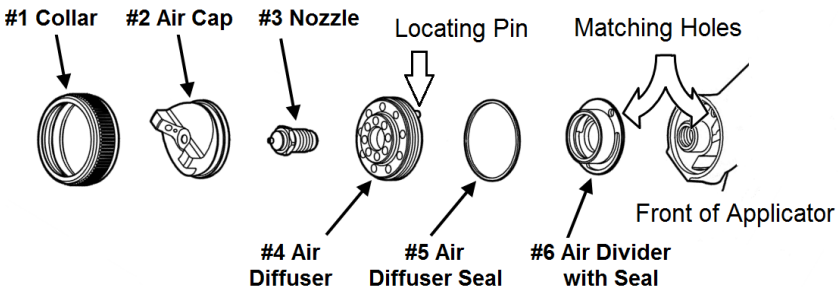
- 1) Unscrew the lid from the solution cup.
- 2) Pour any unused Tanning Solution into storage container.
- 3) Rinse the solution cup and then fill it with clean warm water.
- 4) Re-attach the lid of the solution cup. Without removing it, turn the Fluid Knob #7 counter clockwise (this will allow you to pull back the Trigger all the way).
- 5) Connect hose to Applicator and switch turbine on.
- 6) Simply pull the Trigger back and aim the spray of water into a container, sink or rag. Repeat once more if necessary.
- 7) Use a wet rag to wipe off any solution on the Applicator or Cup.
- 8) For the Gravity T-PRO model, the Lid of the solution cup has a pinhole in the center. Always ensure that the pinhole is open. Clean this area regularly.

This is all that is needed to keep the Applicator clean and ready for use. For extra cleaning, add a small drop of dish washing liquid on the first flush, but always follow this by flushing with clean water. NEVER use any abrasive cleaning material like steel wool or any solvent to clean the Applicator.

For a more thorough cleaning, remove the following parts:

4000 and 4200 T-PRO Applicators:

- Remove the Fluid Knob #7, Spring #9, and Needle #8 from the rear of the Applicator.
- At the front of the Applicator, remove Collar #1 and Aircap #2.
- Using the supplied wrench, remove the Fluid Nozzle #3. Once the Fluid Nozzle is removed, please be careful that the Air Diffuser #4 and Diffuser Seal #5 do not fall out of the Applicator. To prevent the air Diffuser and Diffuser Seal from falling out when removing the Fluid Nozzle, have the Applicator pointing upwards.
- Use the Cleaning Brush and warm soapy water to clean behind the Fluid Nozzle #3.
- The Air Cap, Fluid Nozzle, Needle, Air Diffuser and Air Divider may be soaked in warm soapy water. Do not use solvents to soak or clean these components.
- When reinstalling the Air Diffuser, carefully rest the Diffuser Seal on the on the back edge of the Diffuser, this will ensure that when installing in place, the alignment is perfect.
- There is a Locating Pin on the back side of the Diffuser. This pin must be placed into the matching hole in the Air Divider #6, and into another matching hole in the Gun Body. The matching hole of the Gun Body is located at a 12 o'clock position.



NOTE: DO NOT SOAK THE WHOLE APPLICATOR IN ANY LIQUID - THIS IS NEVER NECESSARY OR ADVISABLE.

TAN7350 Applicator:

- Remove the Fluid Knob #7, Spring #9, Needle #8 from the rear of the Applicator.
- At the front of the Applicator, remove Collar #1 and Aircap #2.
- Using the supplied wrench, remove the Fluid Nozzle #3. Once the Fluid Nozzle is removed, please be careful that the Air Diffuser does not fall out of the Applicator. To prevent the air Diffuser from falling out when removing the Fluid Nozzle, have the Applicator pointing upwards.
- Use the Cleaning Brush and warm soapy water to clean behind the Fluid Nozzle #3.
- The Air Cap, Fluid Nozzle, Needle, Air Diffuser and Air Divider may be soaked in warm soapy water. Do not use solvents to soak or clean these components.
- When the components are clean, to reinstall the Air Diffuser, carefully rest the Diffuser on the front of the Applicator and attach Fluid Nozzle #3. Use wrench to tighten the Nozzle in place.
- Be sure to install the Needle #8, Spring #9 and Fluid Knob #7 after the components of the front of the Applicator are in place.

NOTE: DO NOT SOAK THE WHOLE APPLICATOR IN ANY LIQUID - THIS IS NEVER NECESSARY OR ADVISABLE.

MAINTENANCE OF THE TURBINE

The only maintenance required on the Turbine is the cleaning and replacing of the Filter(s). The Turbines have either one or two Filters. Remove based on the instructions below and wash the Filter in warm soapy water. Dry before replacing back in the Turbine.

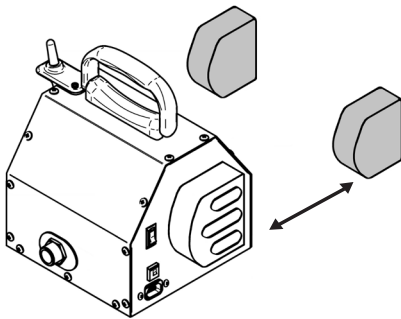
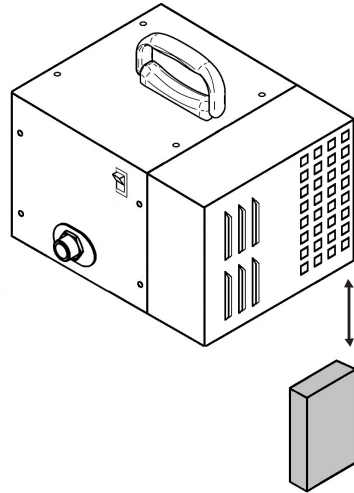
Cleaning your filters regularly is essential to maintaining your Turbine. It is always a good idea to have a spare pair of filters on hand.

When storing the Turbine, always store the system in a dry, moisture-free location.

salonTAN™ Filter

To remove, simply pull the filter out from the bottom-right side of the turbine Case (if looking from the front). To reuse, wash the Filter in warm soapy water. Dry before replacing back in the Turbine.

salonTAN™ PLATINUM Turbine Filter: #5029



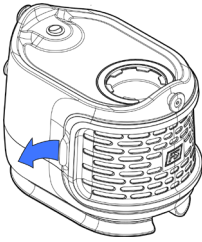
studioTAN™ Filter

To remove, simply pull the two filters out from the Filter Enclosures, one on each side. To reuse, wash the Filter in warm soapy water. Dry before replacing back in the Turbine.

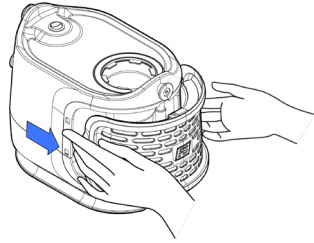
studioTAN™ PLATINUM Turbine
(semi-circle shape filters): #7224-2

soloTAN™ Filter

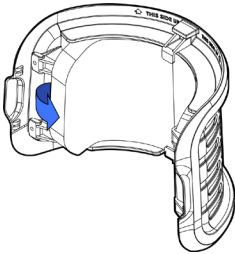
soloTAN™ PLATINUM Turbine filter: #7455



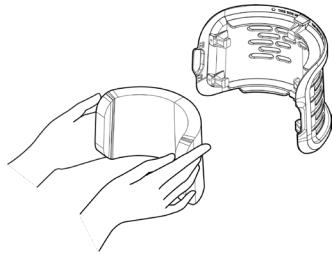
1) Pull the grip tabs on both sides of the grill outwards to release it.



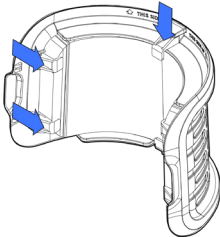
2) Pull the grill directly away from the main unit to separate.



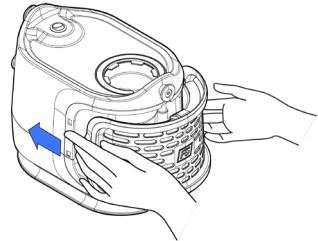
3) Carefully remove the foam filter from the grill.



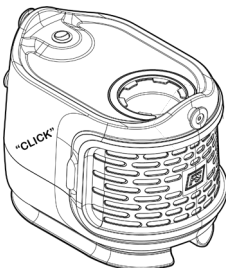
4) Clean and let dry or replace the foam filter, and replace it in the grill.



5) When placing the foam filter in the grill, ensure each of the 6 tabs is helping to hold the foam in place.



6) Make sure the grill is upright, and place it back on the main unit.



7) Make sure the grill “clicks” back into place on both sides by pushing it tightly back on to the unit.

For video instructions, please visit:
www.fujispraysunless.com

TROUBLESHOOTING

1) Solution coming out from nozzle without Trigger engaged

- Check and clean Fluid Nozzle #3. If damaged, it will require replacement
- Check and clean the Needle #8. If damaged, it will require replacement

The Needle Packing Nut may be too tight. It needs to be a bit loosened:

4000 T-PRO Gravity Applicator

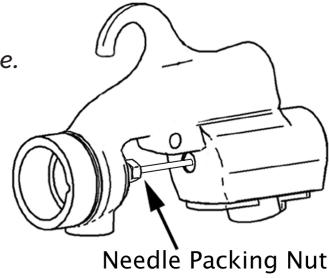
- Half fill the solution cup with water
- Ensure that the Applicator is disconnected from the hose, and the Turbine is switched off
- Pull the Trigger and release. Check Nozzle #3 for water spraying out
- Use the supplied wrench to GENTLY loosen the Nut (1 or 2 degrees only at a time). This is a very sensitive adjustment. Again pull the Trigger and release until the Needle moves back and forth freely
- Wipe away the water in between adjustments. Repeat until no water is seen at the Fluid Nozzle Hole

4200 T-PRO Bottom Feed and TAN7350 Applicator

- Half fill the solution cup with water
- Connect the Applicator to the hose and switch the Turbine on
- Pull the Trigger and release. Check Nozzle #3 for water spraying out
- Use the supplied wrench to GENTLY loosen the Nut (1 or 2 degrees only at a time). This is a very sensitive adjustment. Again pull the Trigger and release until the Needle moves back and forth freely
- Wipe away the water in between adjustments. Repeat until no water is seen at the Fluid Nozzle Hole

2) Leaking from Needle Packing Nut

*The Needle Packing Nut #13 may too loose.
It needs to be tightened:*



4000 T-PRO Gravity Applicator

- Half fill the solution cup with water
- Ensure that the Applicator is disconnected from the hose and the Turbine is switched off
- Pull the Trigger and release. Check Nozzle #3 for water spraying out
- Use the supplied wrench to GENTLY tighten the Nut (1 or 2 degrees only at a time). This is a very sensitive adjustment.
- Wipe away the water in between adjustments. Repeat until no water is seen where the needle passes through the Needle Packing Nut #13

4200 T-PRO Bottom Feed and TAN7350 Applicator

- Half fill the solution cup with water
- Connect the Applicator to the hose and switch the Turbine on
- Pull the Trigger and release. Check Needle Packing Nut #13 for water leaking out
- Use the supplied wrench to GENTLY tighten the Nut (1 or 2 degrees only at a time). This is a very sensitive adjustment
- Wipe away the water in between adjustments. Repeat until no water is seen where the needle passes through the Needle Packing Nut #13

3) Heavy density or light density spray

- Adjust the Fluid Knob #7 to increase or decrease volume
- Vary distance between the Applicator and the person you are spraying

4) Uneven pattern when spraying

- Check and clean Nozzle #3
- Check and clean Air Cap #2. Use a soft cleaning brush. Never use metal objects to clean holes in the Air Cap

5) Poor Spray Pattern

- Damaged Needle #8 or Fluid Nozzle #3 - This will require replacement
- Check Fluid Nozzle and Air Holes in Air Cap #2 - This will require cleaning
- Applicator is being held too far from surface - max. 6 inches (15 cm)

6) Excessive overspray

- Reduce fluid volume flow or adjust fan pattern
- Applicator is being held too far from surface - max. 6 inches (15 cm)
- Install an extraction fan

7) Leaking from the Solution Cup Rim

- Ensure that the Cup is tightened fully
- Replace Cup Lid Seal (Gasket) as it may be worn

8) Fluid at the Air Cap Holes

- The Fluid Nozzle #3 is loose and solution is leaking around it -tighten the Nozzle using the supplied Wrench

9) Applicator Sprays in a pulsating manner

- The Needle Packing has worn a little or is loose. Tighten the Needle Packing Nut #13. Gently tighten the Needle Packing Nut 1 or 2 degrees only. Repeat until no water is seen where the Needle passes through the Needle Packing Nut
- The Solution Cup is almost empty. Add more solution
- Clean the Fluid Coupler thoroughly
- Inspect pressure tube and cup gasket. Replace if damaged

10) Turbine keeps shutting off at the breaker switch

- Check the Filter(s) is clean and in place properly
- Check the Air Hose for any kinks that may restrict air flow
- The Turbine is overheating due to over usage. Leave the Turbine off for a few minutes to cool down. If necessary, reset the breaker switch, then try turning on again
- Replace breaker if still not turning on

11) Little to no solution coming out

- Fluid Knob #7 is turned in too far - turn out to allow more Solution flow
- Fluid Coupler is clogged:
 - a) Remove the Cup Assembly
 - b) Use the supplied cleaning brush to unclog the inside of the Fluid Coupler with soapy water
 - c) Use the brush to also clean the out the solution passage at the bottom of the Cup

Fuji Spray® 2 Year Limited Warranty

Fuji Industrial Spray Equipment Ltd. (“Fuji”) provides a 2 year limited warranty on the product to the original purchaser effective from the date of purchase against defects in materials and workmanship.

The warranty does not cover damage or defects arising as a result of abuse, misuse, accident, negligence, malfunction, corrosion, normal wear and tear, inadequate or lack of spray gun or other aspects of maintenance of the product, damage arising from improper assembly, installation or operation, damage arising from the product being used with parts that are not genuine Fuji Spray® parts, or damage arising from the product being used for a purpose other than that for which it was designed or intended. The warranty is void if repairs to the product are made or attempted by anyone other than Fuji or its authorized agent, or if any modifications to the product are made or attempted.

Purchasers located in North America must obtain a Return Material Authorization number by calling Fuji at 1-800-650-0930 before returning the product to Fuji or its designated representative.

Purchasers located outside North America must contact the vendor from which they purchased the product. In all instances purchasers must return the product together with proof of purchase and with shipping prepaid. For valid warranty claims the product will be returned to the purchaser with shipping prepaid.

This is the only warranty provided by Fuji with respect to the product and is in lieu of any other warranties, express or implied, including but not limited to any warranty of merchantability or fitness for a particular purpose. Fuji’s sole obligation under this warranty shall, at its option, be to either repair or replace a product determined by Fuji to be defective. In no event shall Fuji be liable for loss of profits, incidental or consequential damages, injury to any person or property, or any other damages of whatsoever nature.

CE - DECLARATION OF CONFORMITY

Manufacturer: Fuji Industrial Spray Equipment Ltd.
40 Magnetic Drive. #48
Toronto, ON M3J 2C4
Canada

According to: 73/23/EEC
Low Voltage Directive

Declares that the product: HVLP Spray System

Product name(s): HVLP Spray System

Type Name: Turbine

Model(s): Q3 Model, Q4 Model, Q5 Model
Mini-Mite 3, Mini-Mite 4, Mini-Mite 5
studioTAN, salonTAN
Semi-PRO 2, Hobby-PRO 2

Conforms to the following norm(s): EN 60335-1

DECEMBER 2020

© 2021 Fuji Industrial Spray Equipment Ltd.

This User Manual may not be copied in whole or in part without the prior written consent of Fuji Industrial Spray Equipment Ltd.

Ver. 2021-01

FUJI SPRAY® SUNLESS

CONNECT WITH US!

 @FUJISPRAYSUNLESS

 @FUJISPRAYSUNLESS

 @FUJISPRAY

NEED HELP?

 FUJISPRAY.COM
FUJISPRAYSUNLESS.COM

 SUPPORT@FUJISPRAY.COM

 +1 (800) 650 0930