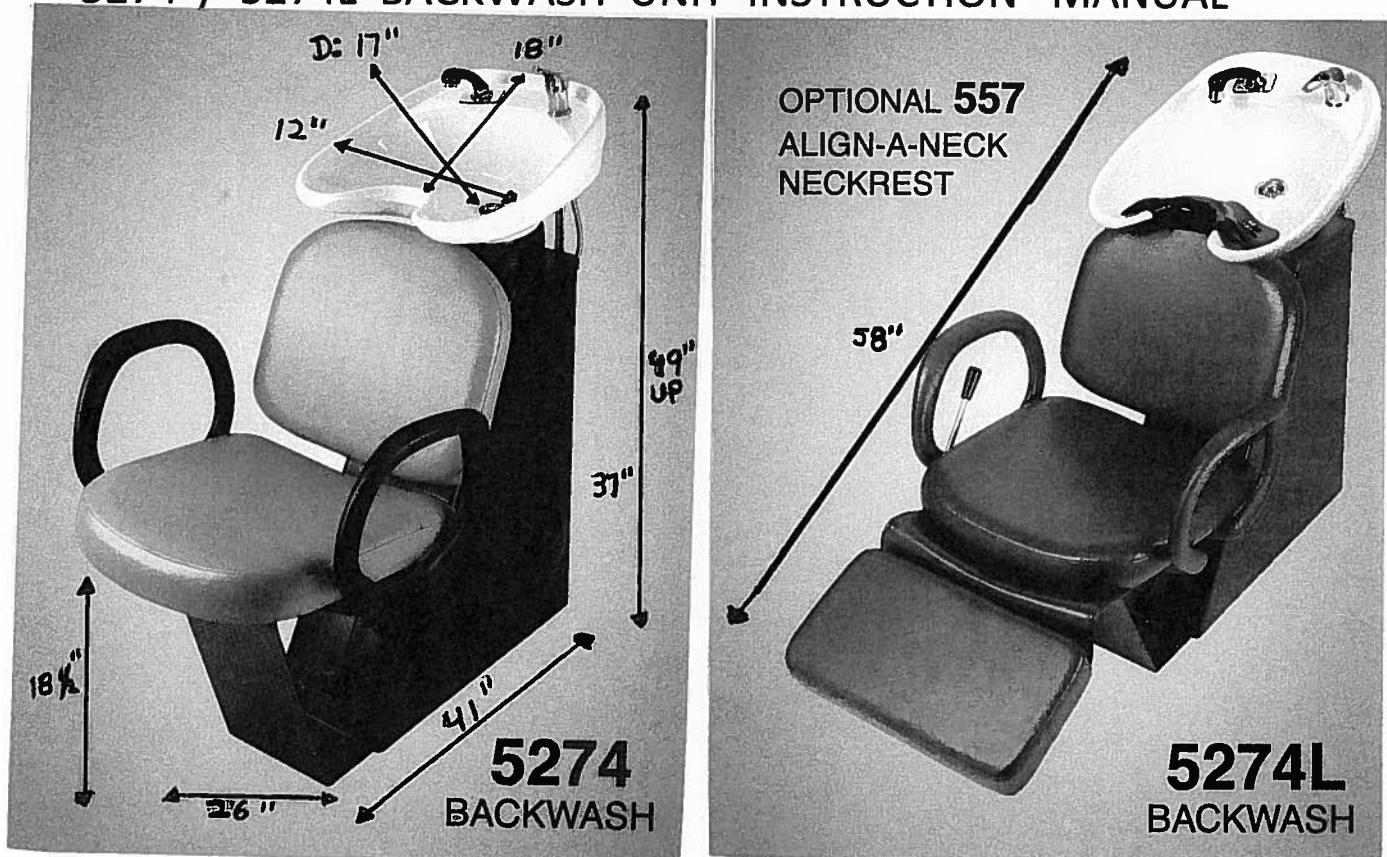




## 5274 / 5274L BACKWASH UNIT INSTRUCTION MANUAL



**Plumbing Requirements:** All plumbing to be planned and performed by a qualified, licensed plumber. We cannot be responsible for knowing all local plumbing codes. Therefore, it is solely your responsibility to check your plumbing plan layout with your local plumbing inspector prior to starting any and all plumbing work.

**Note:** The 5274/5274L is shipped partially assembled for your convenience. For added security you may want to bolt (\*bolts not included) the unit to the floor using the mounting holes located at the bottom of the shampoo bowl casing using the following guidelines:

- 1.- Place the unit in the desired location.
- 2.- Drill a small pilot hole using the mounting holes in the casing as a guide.
- 3.- Bolt the casing down to the floor with appropriate bolts for your type of floor.

## #5274 key features

1. backwash with chair
2. main structure zinc plated metal painted black
3. tilting bowl
4. Italian ceramic bowl in white or black
5. Italian made faucet
6. armrest polyurethane
7. vinyl available in 32 colors
8. easy install
9. all Italian or usa componets



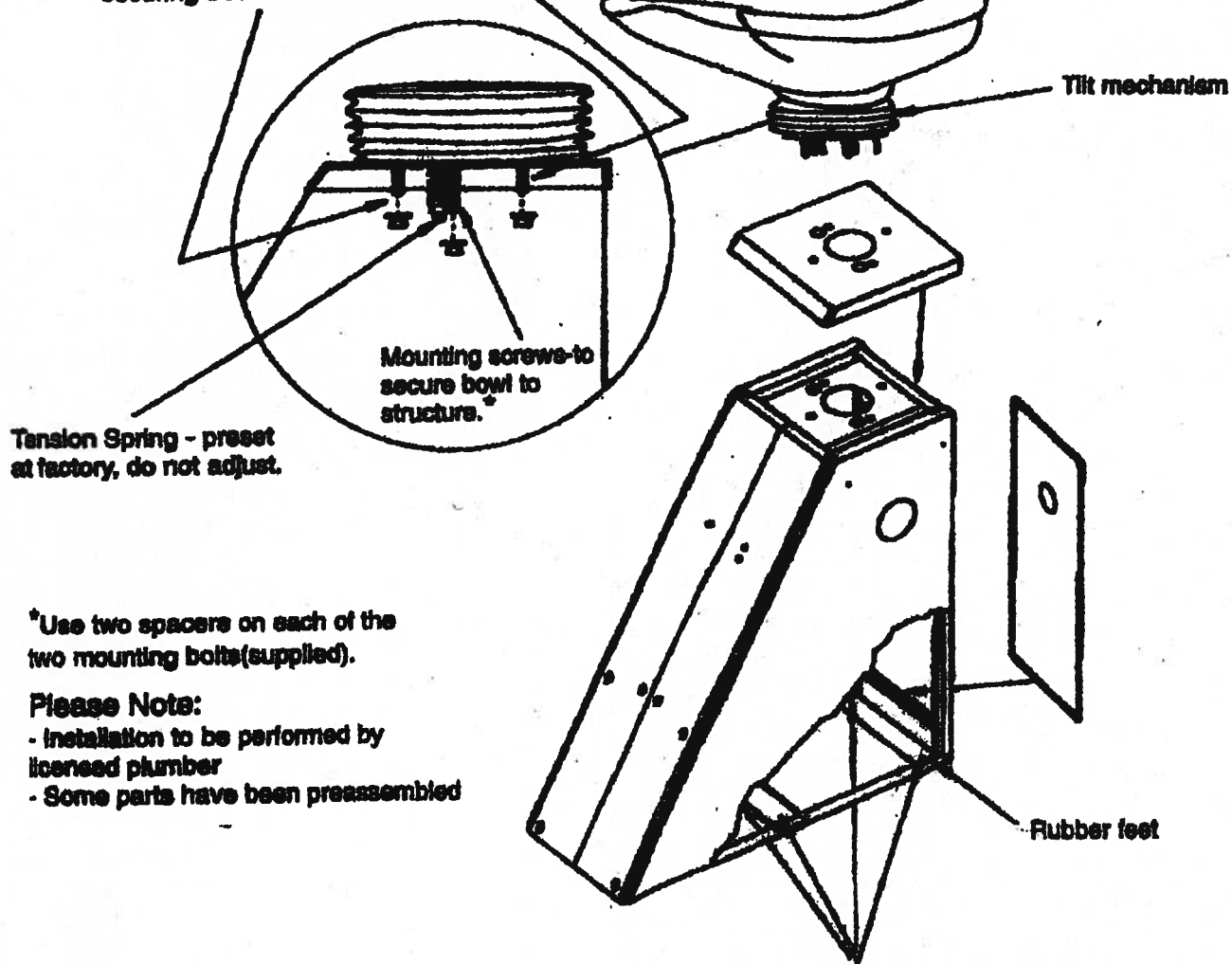
# 5274 BACKWASH

## BOWL MOUNTING INSTRUCTIONS

Adjustable set screws to regulate the amount of tilt desired.

The set screws can also be set so that the bowl is immobilized. Do this by setting both screws all the way up so that they will not go any higher.

Note: establish desired height prior to securing bowl to backwash structure.



Tension Spring - preset at factory, do not adjust.

\*Use two spacers on each of the two mounting bolts(supplied).

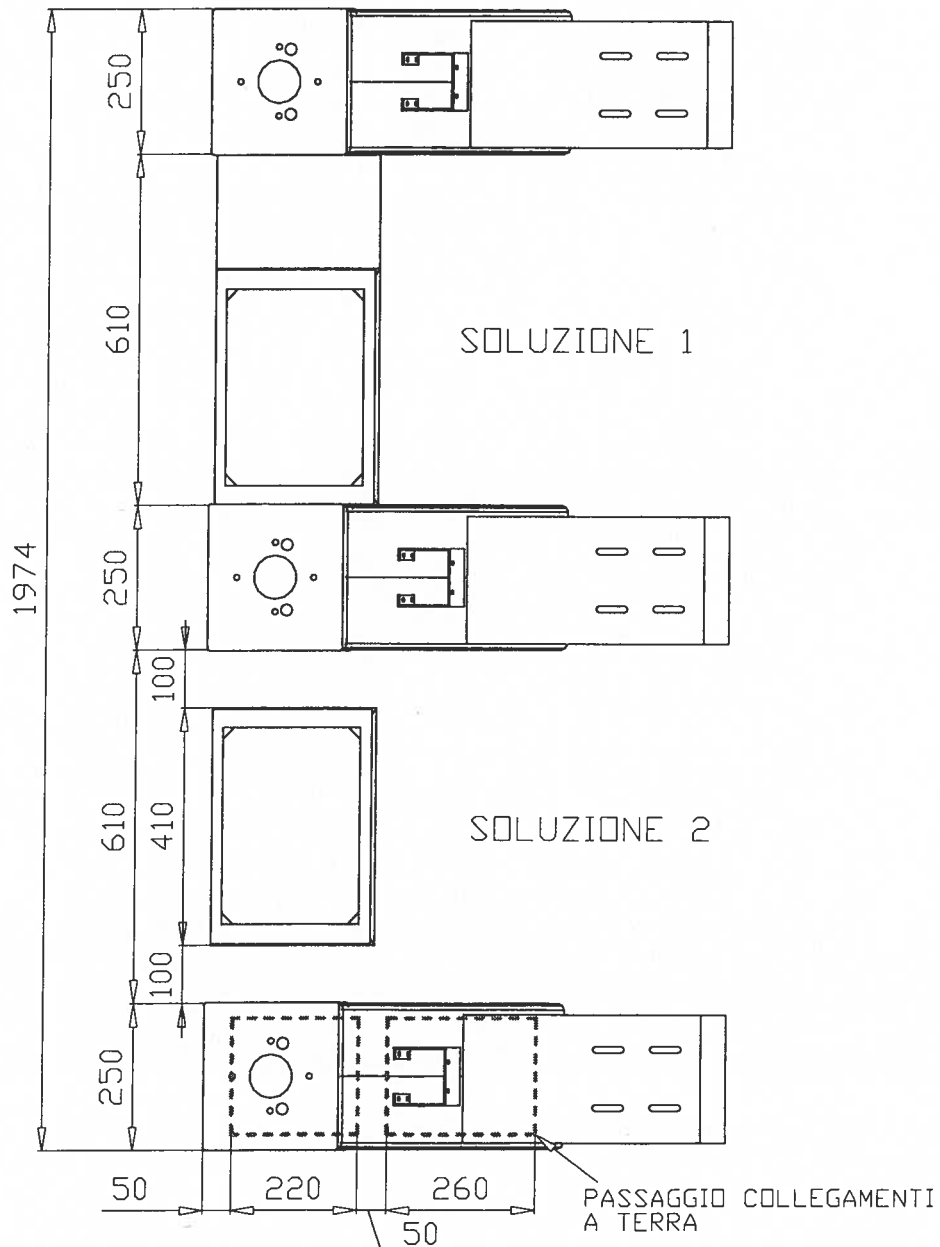
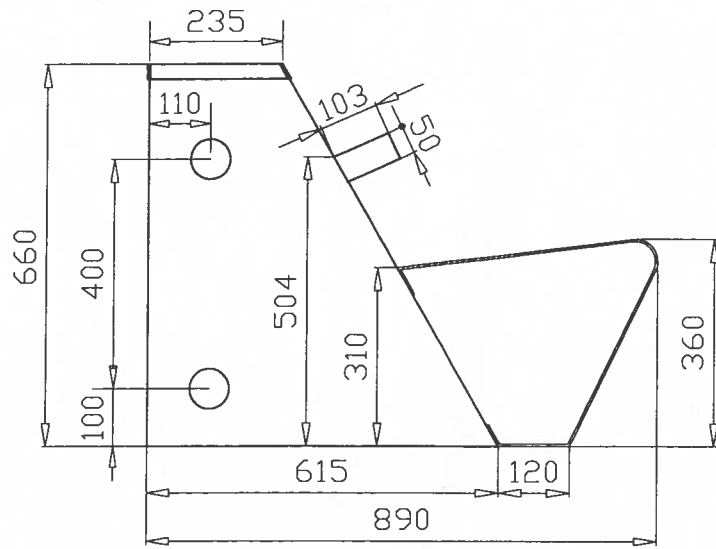
### Please Note:

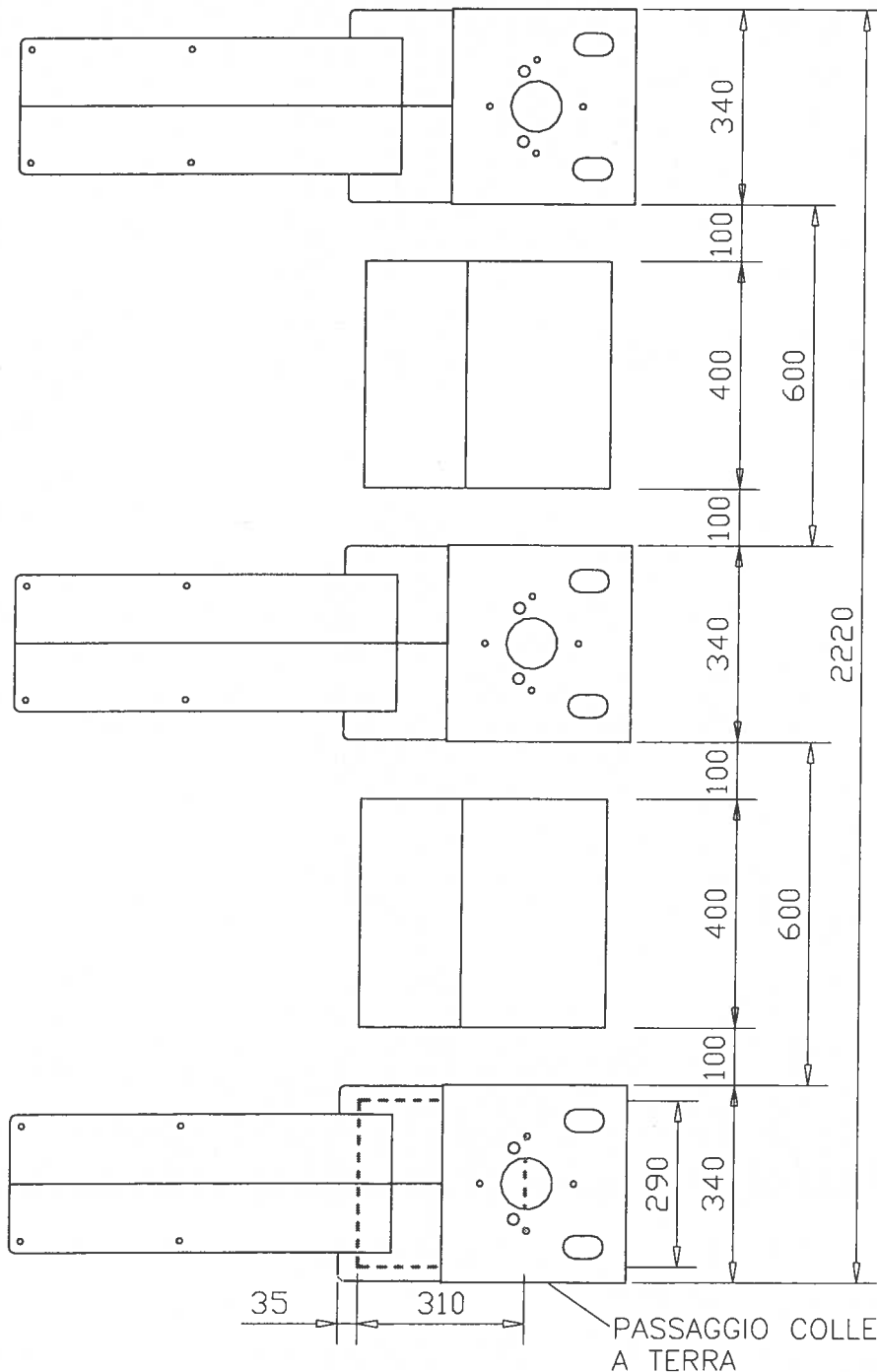
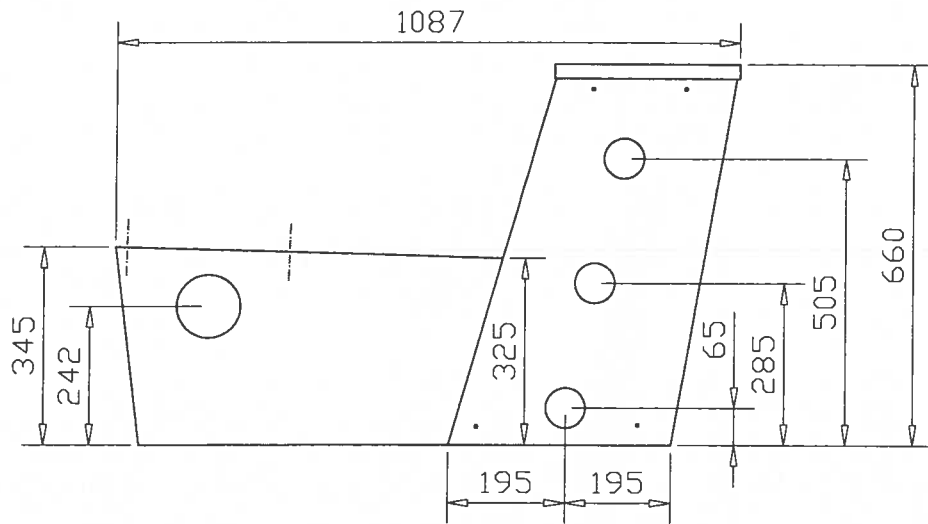
- Installation to be performed by licensed plumber
- Some parts have been preassembled

Holes for mounting structure to the ground.



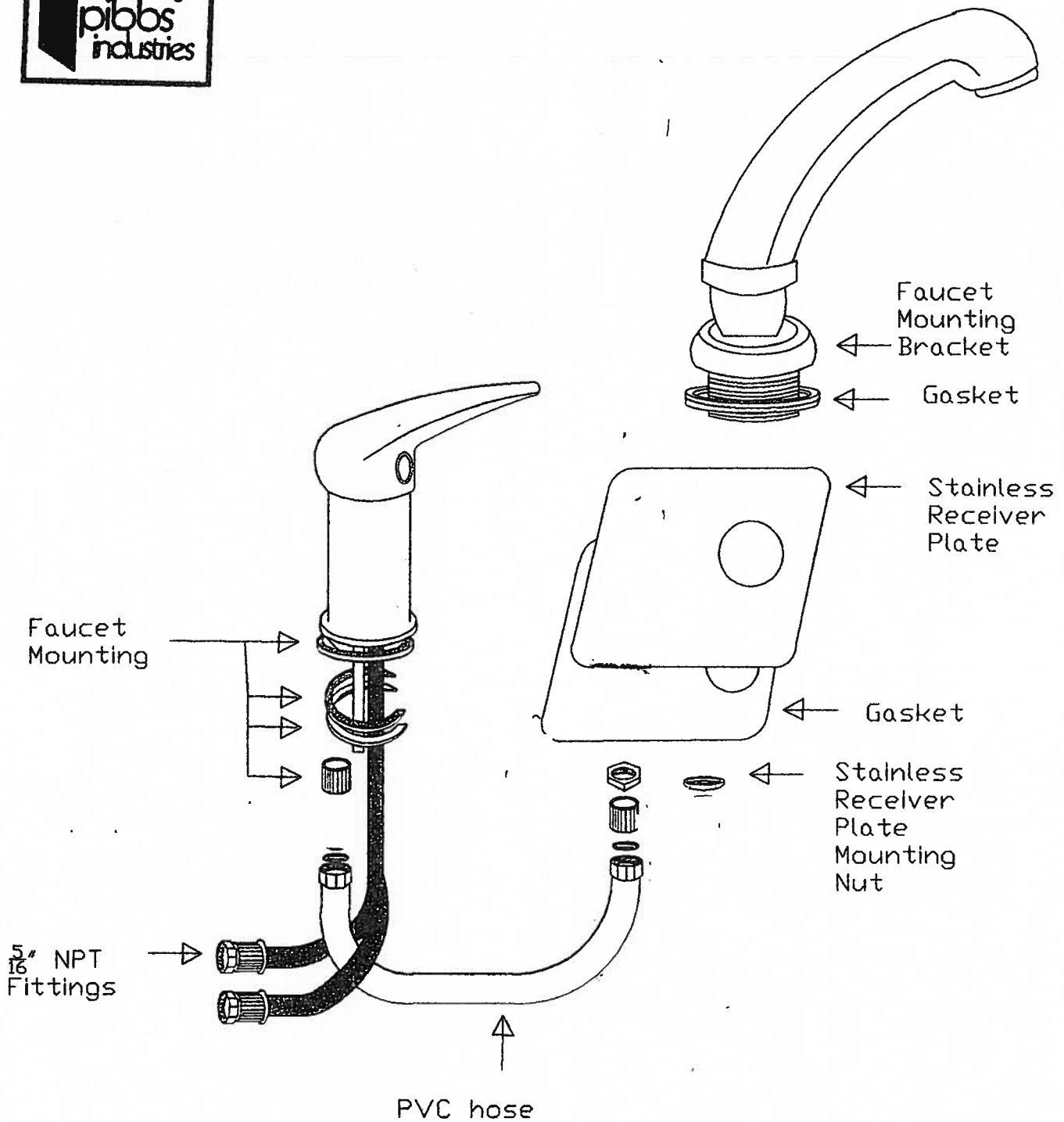
Pibbs Industries 133-15 32nd Avenue, Flushing, NY 11354 [www.pibbs.com](http://www.pibbs.com)  
Tel. (718)445-8046 (800)551-5020 Fax (718)461-3910





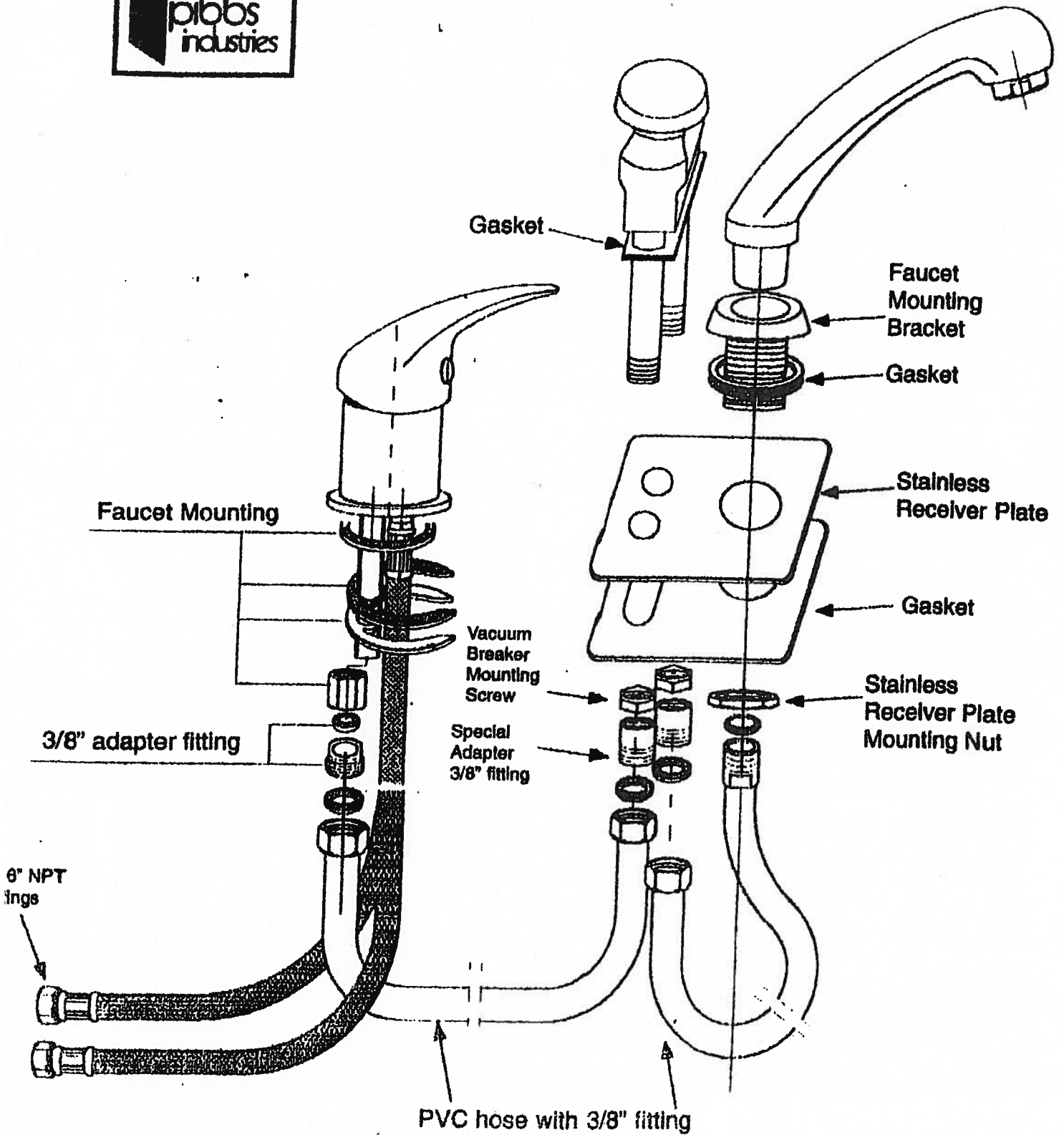


# 565 FAUCET MOUNTING



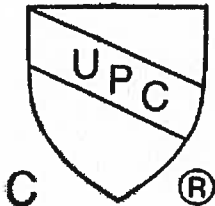


# 565 Faucet Mounting with Optional Vacuum Breaker



# IAPMO RESEARCH AND TESTING, INC.

5001 East Philadelphia Street, Ontario, California 91761-2816 • (909) 472-4100 Fax (909) 472-4244 • www.iapmo.org



## CERTIFICATE OF LISTING

IAPMO Research and Testing, Inc. is a product certification body which tests and inspects samples taken from the supplier's stock or from the market or a combination of both to verify compliance to the requirements of applicable codes and standards. This activity is coupled with periodic surveillance of the supplier's factory and warehouses as well as the assessment of the supplier's Quality Assurance System. This listing is subject to the conditions set forth in the characteristics below and is not to be construed as any recommendation, assurance or guarantee by IAPMO Research and Testing, Inc. of the product acceptance by Authorities Having Jurisdiction.

Effective Date: May 2014

Void After: May 2015

Product: Vacuum Breakers (Atmospheric)

File No. 4943

Issued To: Long Tai Copper Corp.  
61-1, Hsing Kong Rd.  
Changhua, SHENGGANG 509  
Taiwan

Identification: Atmospheric type vacuum breaker assemblies shall be permanently and legibly marked with manufacturer's name or trademark, model number, maximum rated working pressure and temperature, nominal valve size, direction of water flow, and "B64.1.1". If applicable, markings shall include the critical level and "Deck Mounted". Product shall also bear the cUPC® certification mark. Markings shall be either cast, etched, stamped or engraved on the body on the assembly or on a durable metal plate securely fastened to the assembly.

Characteristics: Pipe-applied atmospheric type vacuum breakers to be installed in accordance with the manufacturer's instructions and the requirements of the latest edition of the Uniform Plumbing Code.

Products listed on this certificate have been tested by an IAPMO R&T recognized laboratory. This recognition has been granted based upon the laboratory's compliance to the applicable requirements of ISO/IEC 17025.

Products are in compliance with the following code(s):

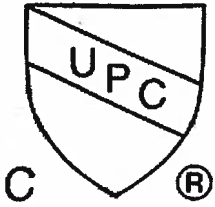
  
Chairman, Product Certification Committee

  
CEO, The IAPMO Group



This listing period is based upon the last date of the month indicated on the Effective Date and Void After Date shown above. Any change in material, manufacturing process, marking or design without having first obtained the approval of the Product Certification Committee, or any evidence of non-compliance with applicable codes and standards or of inferior workmanship, may be deemed sufficient cause for revocation of this listing. Production of or reference to this form for advertising purposes may be made only by specific written permission of IAPMO Research and Testing, Inc. Any alteration of this certificate could be grounds for revocation of the listing.





# IAPMO RESEARCH AND TESTING, INC. CERTIFICATE OF LISTING

Page 3

Void After: May 2015

Product: Vacuum Breakers (Atmospheric)

File No. 4943

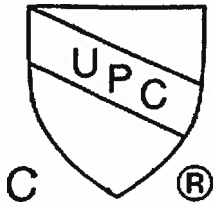
Issued To: Long Tai Copper Corp.

MODELS:

<u>Model No.</u>	<u>Description</u>
LVB2	Deck Mounted Inlet/outlet atmospheric vacuum breaker
LVB4-xxx	1/2" Vacuum breaker
LVB5-xxx	3/8" Vacuum breaker
LVB6-xxx	1/2" Vacuum breaker - Elevated

Option -xxx:

- PCP = Polish Chrome plated
- RCP = Rough Chrome plated
- R = Rough



# IAPMO RESEARCH AND TESTING, INC. CERTIFICATE OF LISTING

Page 4

Void After: May 2015

Product: Vacuum Breakers (Atmospheric)

File No. 4943

Issued To: Long Tai Copper Corp.

**ADDITIONAL COMPANY INFO:**

**Acorn Engineering Company**

<u>Model No.</u>	<u>Description</u>
7850-012-000	Atmospheric Vacuum Breaker (1/2")

**AYC Group, LLC.**

<u>Model No.</u>	<u>Description</u>
AVB001	Deck Mounted Inlet/Outlet atmospheric vacuum breaker

**Consonance Companies, Inc.**

<u>Model No.</u>	<u>Description</u>
CC-LVB2	Deck Mounted Inlet/Outlet atmospheric vacuum breaker

**Garfield International Company, Inc. DBA Paragon**

<u>Model No.</u>	<u>Description</u>
GTL05.0123	Deck Mounted Inlet/Outlet atmospheric vacuum breaker

**Kaemark/Savvy Salon Furnishings**

<u>Model No.</u>	<u>Description</u>
915	Deck Mounted Inlet/Outlet atmospheric vacuum breaker

**P.S. Pibbs, Inc.**

<u>Model No.</u>	<u>Description</u>
P588	Deck Mounted Inlet/Outlet atmospheric vacuum breaker

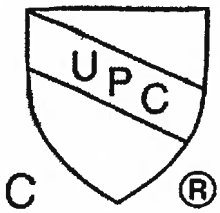
**Salontuff, Inc.**

**Salon Tuff®**

<u>Model No.</u>	<u>Description</u>
VB	Deck Mounted Inlet/Outlet atmospheric vacuum breaker

**Zurn Industries, LLC**

LVB2



# IAPMO RESEARCH AND TESTING, INC. CERTIFICATE OF LISTING

Page 2

Void After: May 2015

Product: Vacuum Breakers (Atmospheric)

File No. 4943

Issued To: Long Tai Copper Corp.

Uniform Plumbing Code (UPC®)  
National Plumbing Code of Canada  
International Plumbing Code (IPC®)

Products are in compliance with the following standard(s):  
ASSE 1001-2008 and CSA B64.1.1-2011

NSF International  
OFFICIAL LISTING

This is a Certification by NSF that these products conform to the requirements of NSF standard 61- Drinking Water Components- Health Effects

June 13, 2002

Saint-Gobain Ceramiques Avancees  
Desmarquest  
48, Rue Des Vignerons  
94685 Vincenees, France  
33 14 818 5183

Plant at: Courtnay Cedex, France

Mechanical Plumbing Device

Trade Designation

Cartridge Valves

Optima Series [ 1]

CR 38 F

OP 35 XYW

OP 40 XYZ

[1] X=flow option

F1 or F=restricted flow

O=free flow

ES=Spain

Y=screen option

SG=without acoustic screen

G=with acoustic screen

W=adjustment option

DI=Distributor lever

THE SHAMPOO SINK USED IN PIBBS MODELS PRINCE, MILLENNIUM AND YOUNG  
COMPLIES WITH THE AMERICAN NATIONAL STANDARD ASME A112.19.2