



<b>AXL</b>	
	<b>3 AXIS ACCELEROMETER</b>
___ G	SN :

Texys sensors are designed for data recording. If the user wants to include this sensor in a close loop system or active control, he must assume all responsibility.

<b>Range</b>	±5, ±10	G
<b>Sensitivity 5G</b>	400 ±32	mV/G
<b>Sensitivity 10G</b>	200 ±16	mV/G
<b>Cut off frequency 1st order</b>	100	Hz
<b>Supply Voltage</b>		
	5 to 16	V
<b>Supply Current</b>		
	< 5	mA
<b>Output Voltage</b>		
	0 - 5	V
<b>Output Impedance</b>		
	47	Ω
<b>Calibrator</b>		
	LDS V406	
<b>Signal at 0G</b>		
	2.5 ±0.1	V
<b>Cross axis sensitivity</b>		
	5	%
<b>Offset Drift (20 to 80°C)</b>		
	+/-50	mV
<b>Gain Drift (20 to 80°C)</b>		
	+/-2	%
<b>Dim</b>		
	25x25x10	mm
<b>Material</b>		
	Aluminium	
<b>Weight</b>		
	20	g
<b>Protection</b>		
	IP66	
<b>Vibration test</b>		
	20Gpp 5'	
<b>Shock</b>		
	1000	G
<b>Operating Temp</b>		
	-20 to +85	°C
<b>Storage Temp</b>		
	-40 to +125	°C

Sensor Readings				
	-1G	0	+1G	mV/G
X				
Y				
Z				

Cable : 5x26AWG FEP Tinned copper braided cable 250V 200°C

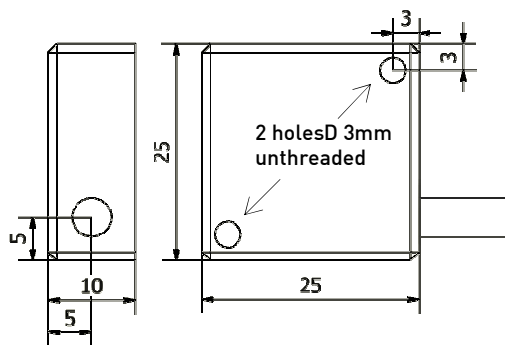
Length : \_\_\_ mm Tubing: \_\_\_\_\_

Connector : \_\_\_\_\_

Colour	Function	Pin
Red	Supply	
Black	0V	
White	Signal X	
Green	Signal Y	
Yellow	Signal Z	
Braid	Not connected	

Calibration table		
	5G 400mV/G	10G 200mV/G
-10		0.5
-5	0.5	1.5
0	2.5	2.5
+5	4.5	3.5
+10		4.5

Out of Range



<b>Ordering ref</b>
AXL - Range
5
10

