

# GYRN3-S-F

## 3 AXIS GYROSCOPE

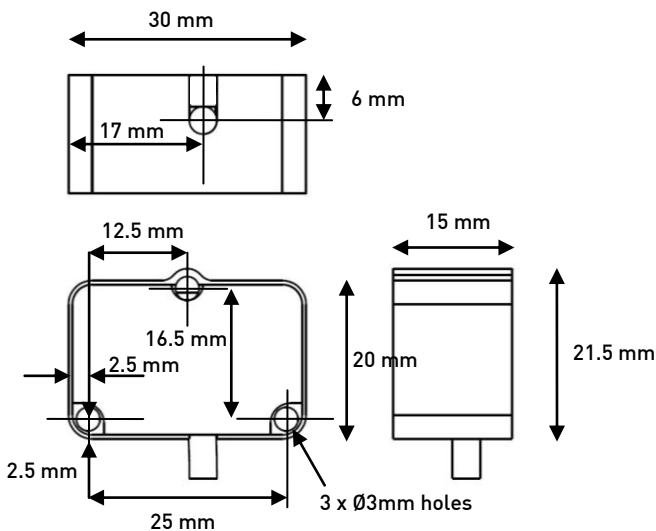
Ref:

SN:

Software version :

Texys sensors are designed for data recording. If the user wants to include this sensor in a close loop system or active control, he must assume all responsibility.

Range	±50, ±100, ±150	°/s
Accuracy	2	%
Sensitivity	40, 20, 13.3	mV/°/s
Filter	<input type="checkbox"/> 5th <input type="checkbox"/> 8th <input type="checkbox"/> 10th	order
Cut off frequency	40	Hz
Supply Voltage	5 to 16	V
Supply Current	20	mA
Output Impedance	47	Ω
Linear analog output	0 to 5	V
Output signal at 0°/sec	2.5	V
Calibrator	rotaring plate	
Error at 0°/sec	±1	°/s
Cross axis sensitivity	3	%
Offset Drift (20 to 80°C)	±0.5	°/s
Offset Drift (20 to 100°C)	±0.8	°/s
Gain Drift (20 to 80°C)	±0.3	%
Gain Drift (20 to 100°C)	±1	%
Dim	30 x 21.5 x 15	mm
Material	Aluminum	
Weight	30	g
Protection	IP66	
Vibration test	20Gpp 5'	
Shock	1000	G
Operating Temp	-20 to +105	°C
Storage Temp	-40 to +125	°C



Sensor Readings		
	mV at 0°/s	mV/°/s
X		
Y		
Z		

Cable : 6x26AWG FEP Tinned copper braided cable 250V 200°C

Length : \_\_\_\_\_ mm Tubing: DR-25-TW-1/8-0-SP

Connector : \_\_\_\_\_

Colour	Function	Pin
Red	Supply	
Black	0V	
White	Signal X	
Green	Signal Y	
Yellow	Signal Z	
Blue	Diag (not to be connected)	

Calibration table			
°/s	±50°/s 40mV/°/s	±100°/s 20mV/°/s	±150°/s 13,3mV/°/s
-150			0.5
-100		0.5	1,17
-50	0.5	1.5	1,83
0	2.5	2.5	2.5
+50	4.5	3.5	3.17
+100		4.5	3,83
+150			4.5

Out of Range

Ordering ref ex: GYRN3-S-XA-YB-ZC-F10

GYRN3-S-XRange-YRange-ZRange-FOrder

Range			
A	B	C	N
50°/s	100°/s	150°/s	Not wired
Order			
5	8	10	
5th	8th	10th	

