

# VM10-K2 **PRO**

Multi-functional Smartphone Video Kit

User Manual



## Foreword

Thanks for purchasing VM10-K2 PRO

## Main Features

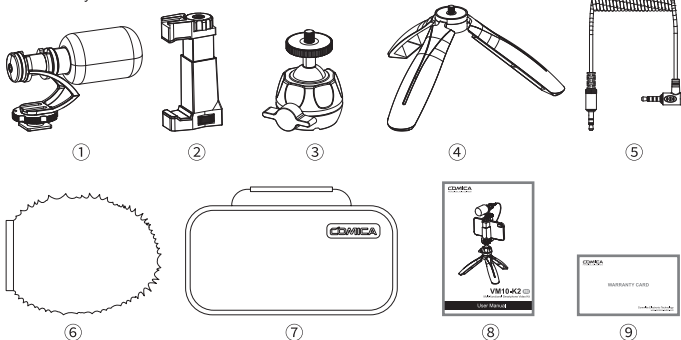
- . Support Horizontal and Vertical Shooting
- . 360°Adjustable Rotation, Stable and Convenient
- . Cardioid Pattern Professional Microphone Video Kit
- . Versatile Smartphone Clamp with Built-in Cold Shoe, Extendable and Flexible
- . CNC Processing, Solid and Durable

## Notice

- ⚠ Do not use this equipment in the vicinity of heat source or interference source
- ⚠ This product belongs to high-precision instruments, please avoid falling, collision or pounding
- ⚠ Do not use the equipment in rain or in a damp environment to avoid short-circuit danger

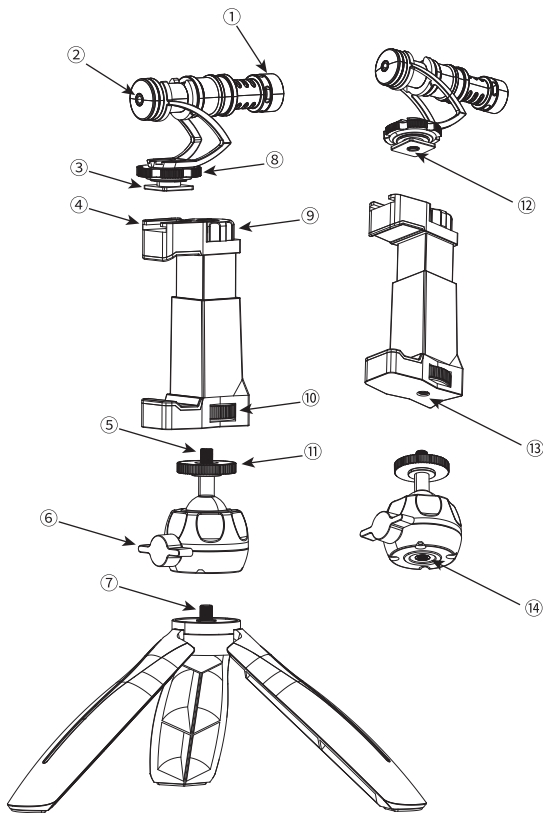
## Packing List

1. Microphone
2. Smartphone Holder
3. Ball Head
4. Tripod
5. 3.5mm TRS - TRRS Audio Cable
6. Wind Muff
7. Carry Case
8. User Manual
9. Warranty Card



## Components Introduction

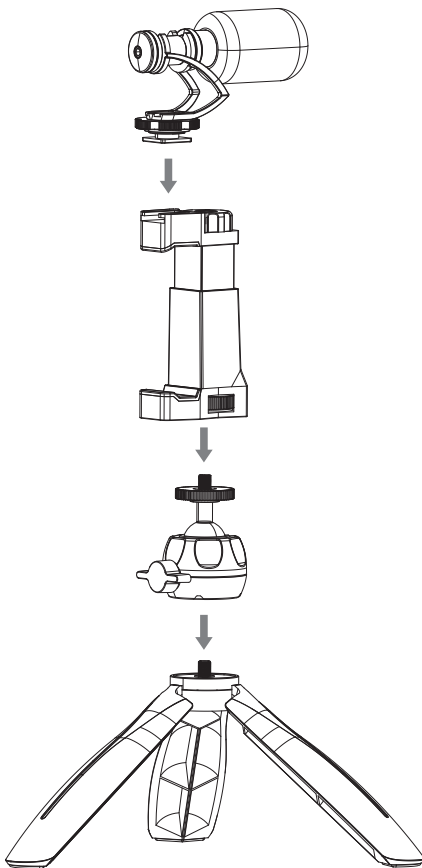
1. Mic Capsule
2. 3.5mm TRS Audio Output Port
3. Cold Shoe Mount
4. Cold Shoe
5. 1/4 Male Screw
6. Lever
7. 1/4 Male Screw
8. Microphone Locking Plate
9. Height Adjustment Locking Plate
10. Smartphone Holder Locking Plate
11. Ball Head Locking Plate
12. 1/4 Threaded Hole
13. 1/4 Threaded Hole
14. 1/4 Threaded Hole



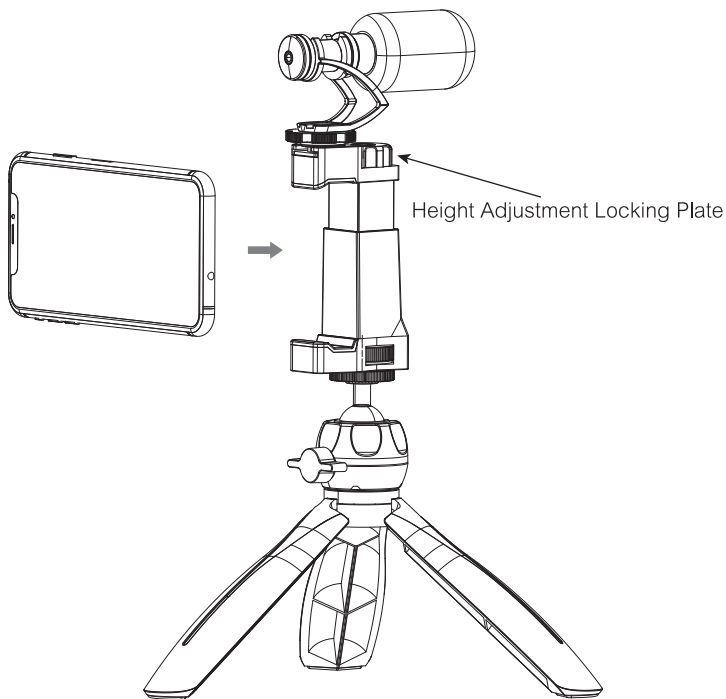
1. Put the ball head into the tripod through the 1/4 threaded hole and tighten it

Install the smartphone holder on the ball head through the 1/4 threaded hole, then tighten it through the smartphone holder locking plate and ball head locking plate

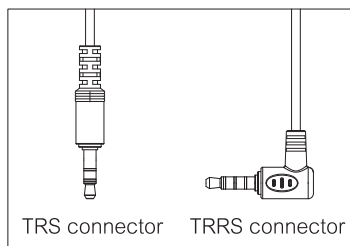
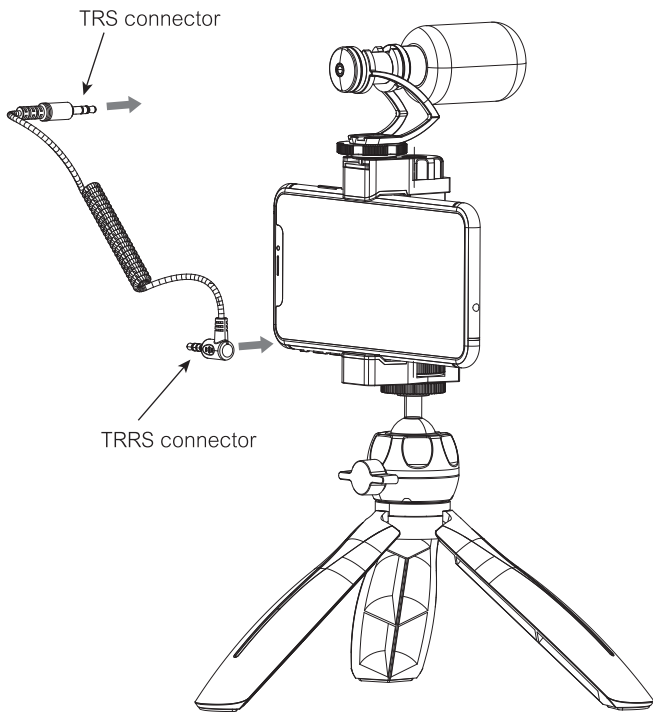
Insert the microphone's cold shoe mount into the cold shoe, and then tighten the microphone locking plate to fix it



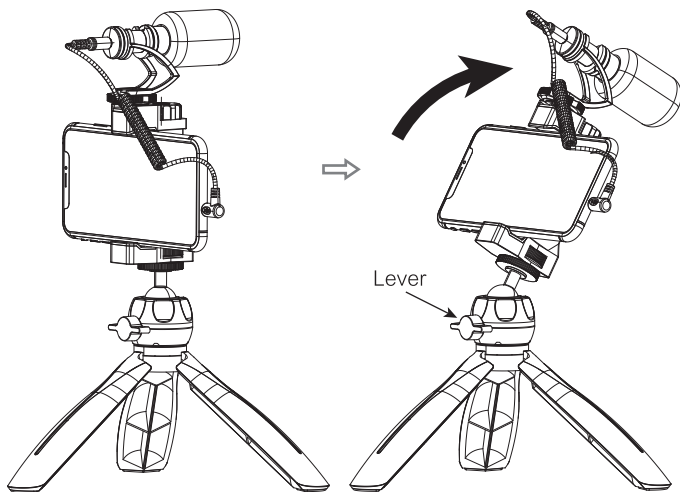
2. Adjust the phone holder to an appropriate height through the height adjustment locking plate, then install the phone and fix it



3. Connect the microphone to the smartphone through the 3.5mm TRS-TRRS audio cable. TRS connector is for microphone, TRRS connector is for smartphone



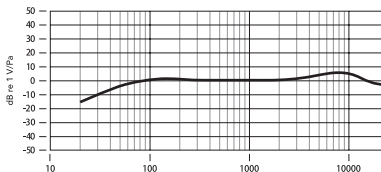
4. You can adjust the use angle of smartphone holder by lever of the ball head



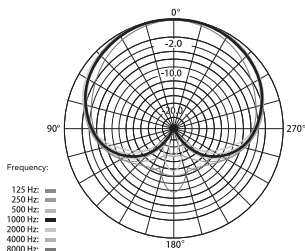


## Microphone

### 1. Frequency Response



### 2. Polar Pattern



### 3. Technology Parameters

Polar Pattern	Cardioid
Frequency Response	60Hz~20kHz
S/N	75dB
Equivalent Noise	19dBA
Maximum SPL	130dB
Dynamic Range	111dB
Sensitivity	-33dB±2dB
Working voltage	1V~5V DC
Output Interface	3.5mm TRS
Dimension	Φ 21mm x 85mm
Net Weight	35g
Operating Temperature	0~50 C
Storage Temperature	-20 C ~ 60 C



Website: [comica-audio.com](http://comica-audio.com)

Facebook: Comica Audio Tech Global

Instagram: Comica Audio

YouTube: Comica Audio