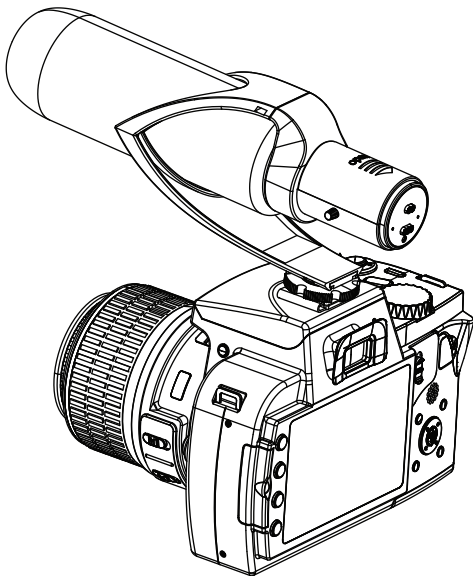


V30 PRO

Directional Condenser Shotgun Video Microphone



User Manual







Foreword

Thanks for purchasing COMICA V30 PRO Cardioid Directional Microphone

Main Features

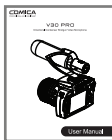
- . Super Cardioid Polar Pattern
- . Low-cut Filter
- . 10dB Adjustable Sensitivity
- . Low Self-noise
- . Super Anti-interference
- . Special Design for Excellent Shock-absorbing
- . Packed with Wind-Screen and Wind-Muff
- . Cold-shoe Design with 1/4 Thread at Bottom

Notice

-  Please carefully read this user manual before using
-  The LED Indicator light will keep on with green color to help you check if the item or power normally work
-  The product is belong to the super accurate instrument, please pay attention to avoid any dropping, collision or thump
-  Please do not put the device beside the heat or interference source, like radiator, Roaster or air-condition etc
-  Please keep this product in the dry environment
-  Do not expose this device in rain or moist environment

Package Contents

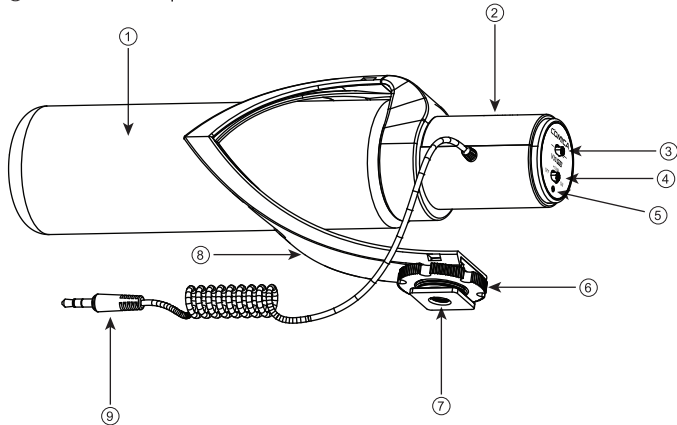
- ① Mic Body (Including Windscreen)
- ② Wind Muff
- ③ User Manual
- ④ Warranty Card



Components and Instruction

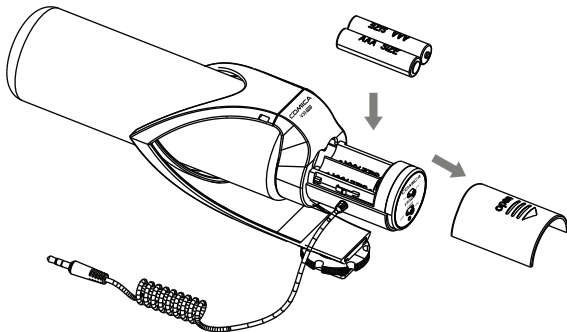
Mic Body

- ① Mic Body and Windscreen
- ② AAA Battery Holder
- ③ Low-cut Filter Button
- ④ Power/Sensitivity Button
- ⑤ Working Indication
- ⑥ Fixing Screw
- ⑦ 1/4 Cold-shoe Mount
- ⑧ Shock Mount
- ⑨ 3.5mm Audio Output Cable

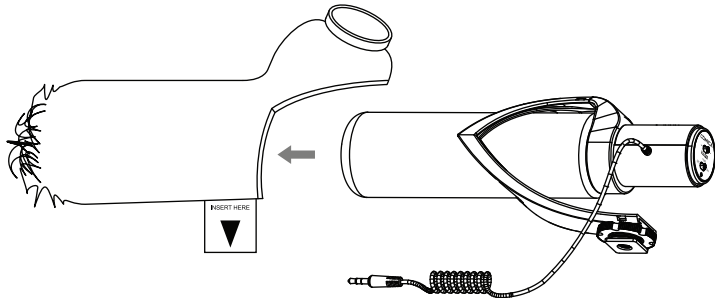


Installation and Usage

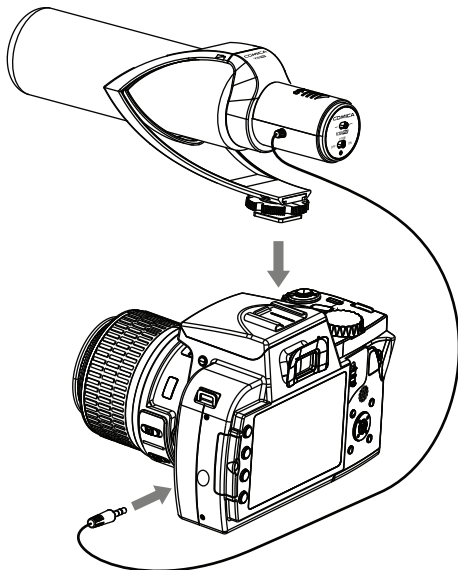
1. Put batteries into microphone



2. Install the windmuff to microphone (It's recommended to use windmuff in outdoor or windy environment.)



3. Connect the mic to the camera via cold-shoe, tighten the fixing screw, then connect the 3.5mm audio cable to the camera audio jack

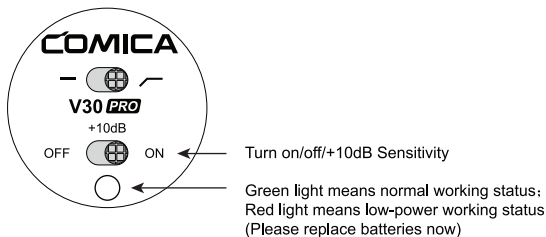


4. On/Off/+10dB/Indicator Status

Slide right to 'On': turn on the mic and start the recording;

Slide right to '+10dB': mic sensitivity is increased by 10dB, the recorded audio will be increased accordingly;

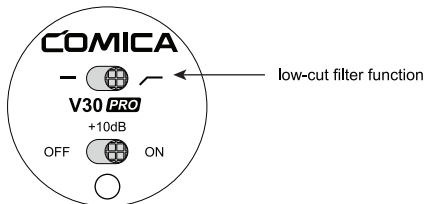
Slide left to 'Off': turn off the mic and stop the recording



5. Choose to turn on/off the low-cut filter function to meet your needs

Slide right to '⌋': turn on low-cut filter function;

Slide left to '—': turn off low-cut filter function

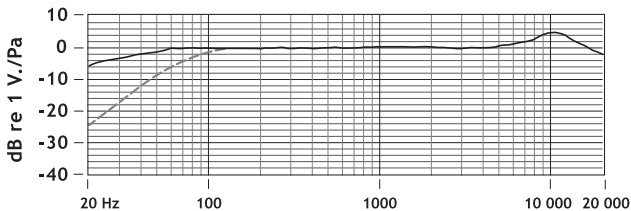


Specification

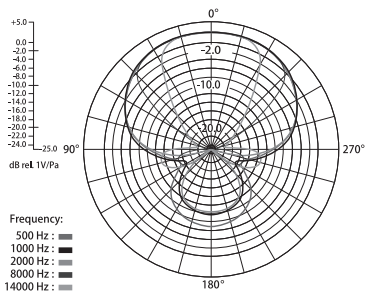
Specification:

Polar Pattern	Super Cardioid
Frequency Range	20Hz ~ 20kHz
Sensitivity	-33dB±2dB / -23dB±2dB
Output Impedance	200Ω
S/N	75dB
Equivalent Noise	19dBA
Maximum SPL	120dB
Dynamic Range	101dB
Output Type	3.5mm TRS Plug
Battery	AAA 1.5V x 2
Power Consumption	8mW
Net Weight	114g
Dimension	210 x 62 x 80mm
Operating Temperature	0 ~ 50℃
Storage Temperature	-20℃ ~ 60℃

Frequency Response:



Polar Pattern :





Website: comica-audio.com

Facebook: Comica Audio Tech Global

Instagram: Comica Audio

YouTube: Comica Audio

The COMICA LOGO is a trademark which is registered and owned by Commlite Technology Co.,Ltd

Email: support@comica-audio.com