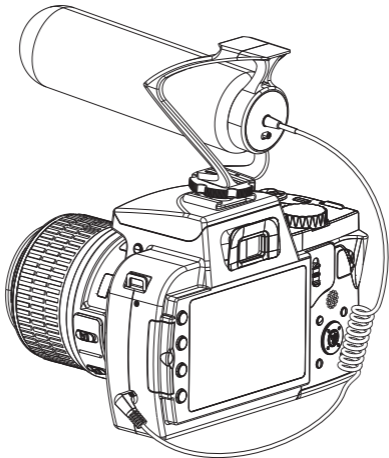


# V30 LITE

Super Cardioid Condenser Lite Microphone





## Foreword

Thanks for purchasing COMICA V30 Lite Super-cardioid condenser **lite** microphone.

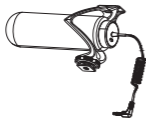
## Notice

- ⚠ When used with USB interface smartphones, please purchase corresponding audio adapter cable.
- ⚠ For the Android system smartphone, the microphone works well in default audio mode, but default video mode will happen with incompatibility trouble while working with some smartphone; (Then we suggest you try the 3rd party's video APP);  
For the iOS system phone, the microphone works well in all default audio mode , video mode, and 3rd party's APP.
- ⚠ Please do not put the device beside the heat or interference source.
- ⚠ Please avoid falling, collision or pounding during usage.
- ⚠ Don't expose the device in rain or moist environment .

## Main Features

- .Super-Cardioid Polar Pattern
- .Support Smartphone & Camera
- .Excellent Shock Mount
- .No Battery Drive Design
- .Super Low Noise Electronics
- .Super Anti-interference
- .Cold-shoe Design with 1/4 Thread at the Bottom
- .Compact and Light, Easy to Carry

## Packing List



Microphone



User Manual

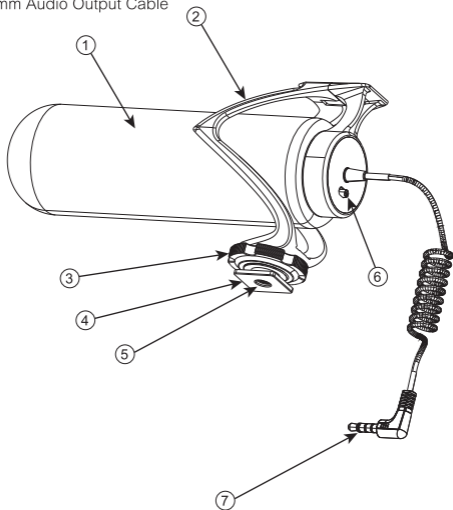


Warranty Card

## Components Introduction

### Microphone

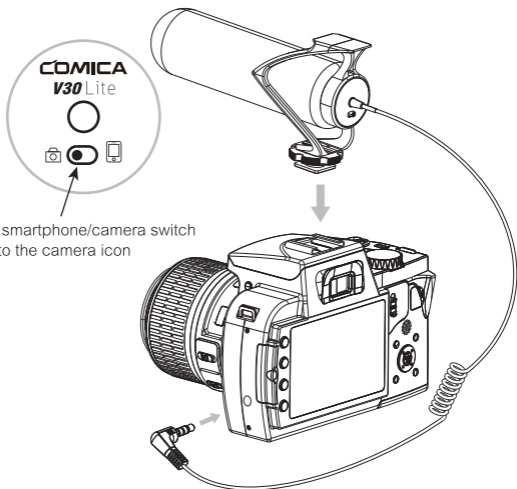
- ① Microphone Interference Tube
- ② Shock Mount
- ③ Locking Screw
- ④ Cold-shoe Bracket
- ⑤ 1/4 Screw Hole
- ⑥ Smartphone/Camera Switch Button
- ⑦ 3.5mm Audio Output Cable



## Installation and Usage

### Use with Camera

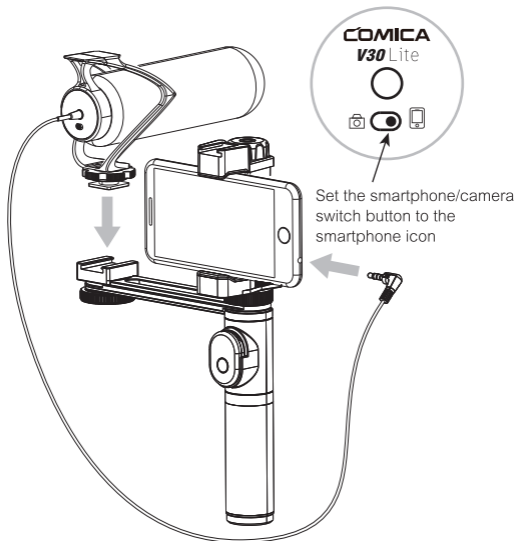
Attach the microphone cold shoe bracket to the camera, fasten the locking screw; Connect the microphone's 3.5mm audio output cable to camera; Set the smartphone/camera switch button to the camera icon.



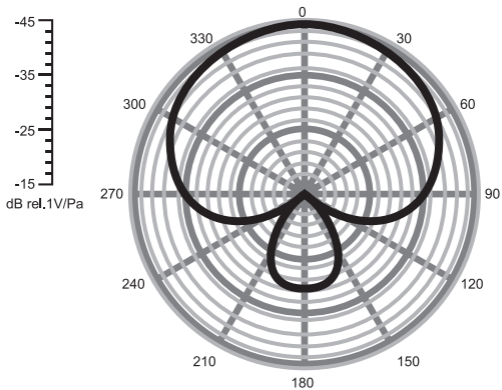
Set the smartphone/camera switch button to the camera icon

## Use with Phone

Mount microphone cold shoe bracket to accessories with cold-shoe interface (please purchase the accessory by yourself), fasten the locking screw; Connect the microphone's 3.5mm audio output cable to smartphone; Set the smartphone/camera switch button to the smartphone icon.



## Tech Parameters





Polar Pattern	Super Cardioid
Frequency Range	20Hz~20kHz
Sensitivity	-33dB±2dB
Output Impedance	2.2 kΩ
S/N	70dB
Equivalent Noise	24dBA
Maximum SPL	130dB
Dynamic Range	106dB
Output Type	3.5mm TRRS Plug
Net Weight	52g
Dimension	160 * 51 * 86mm
Operating Temperature	0 ~ 50℃
Storage Temperature	-20℃ ~ 60℃



Website: [comica-audio.com](http://comica-audio.com)

Facebook: Comica Audio Tech Global

Instagram: Comica Audio

YouTube: Comica Audio

The COMICA LOGO is a trademark which is registered and owned by Commlite Technology Co.,Ltd

Email: [support@comica-audio.com](mailto:support@comica-audio.com)