


97.00 mm
485.00 mm

142.00 mm

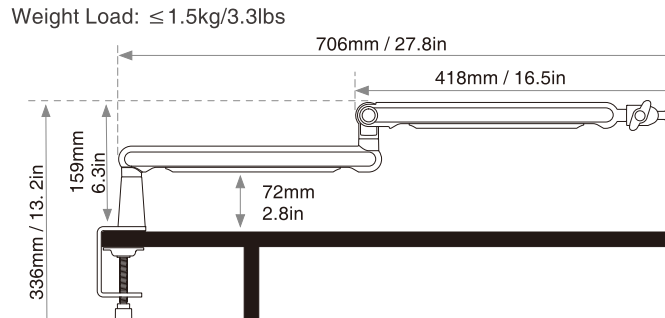


fifine
BM88
USER'S GUIDE

B2B Version:23-04

SPECIFICATION

Model Number: BM88
Product Material: Metal
Weight Load: ≤1.5kg/3.3lbs



WHAT'S IN THE BOX

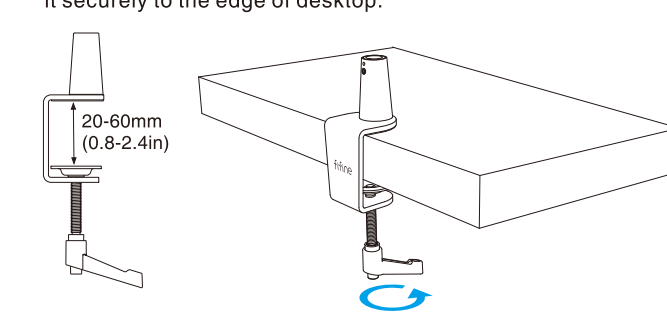
Mic Boom Arm x 1 (Cable Management Channels Inside)
Desk Clamp x 1
User's Manual x 1

Rotatable Ball-Head x 1
Allen Wrench x 1

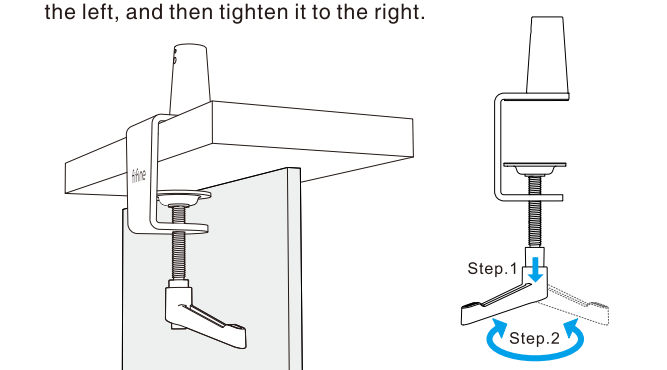
Tips:
The parts are placed in a pack. The two adapters are already connected on the rotatable ball-head. If necessary, please disassemble the adapters.

INSTALLATION OF THE STAND

1. Desk Clamp Installation-Put the desk clamp onto desktop edge, and counterclockwise screw the ratchet of desk clamp to mount it securely to the edge of desktop.

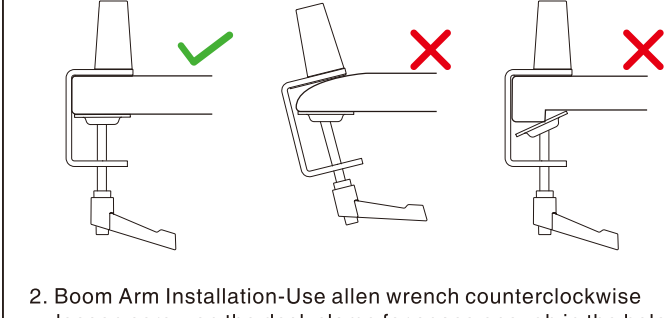


If the desk is in limited space (or there are obstacles), adjust the desk clamp to a range close to the thickness of the desktop edge, and then put it onto desktop edge. Pull down the ratchet to the left, and then tighten it to the right.

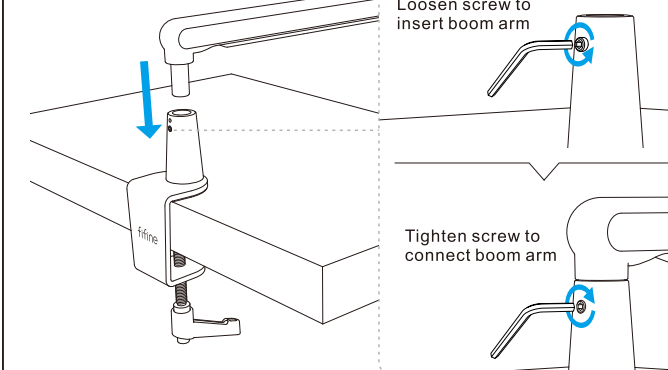


Tip: Do not overlighten the desk clamp.

Make sure that both the top and the underside of the desk clamp are resting on flat surfaces. Overly rounded or overhanging desktop edges do not make good mounting surfaces.

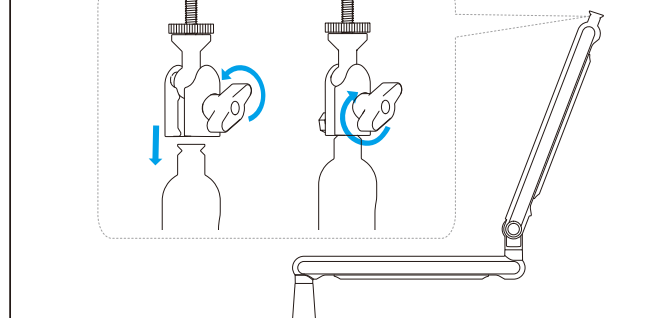


2. Boom Arm Installation-Use allen wrench counterclockwise loosen screw on the desk clamp for space enough in the hole to insert boom arm. Clockwise tighten the screw to firmly connect the boom arm and desk clamp.

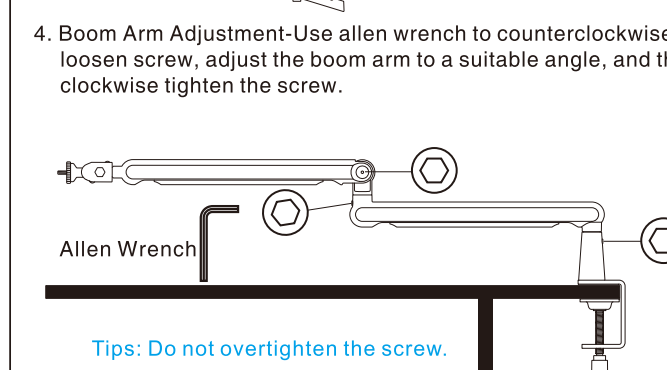


Loosen screw to insert boom arm
Tighten screw to connect boom arm

3. Rotatable Ball-Head Installation-Counterclockwise loosen the knob to fit the rotatable ball-head into boom arm, and then clockwise screw the knob to firmly tighten them.

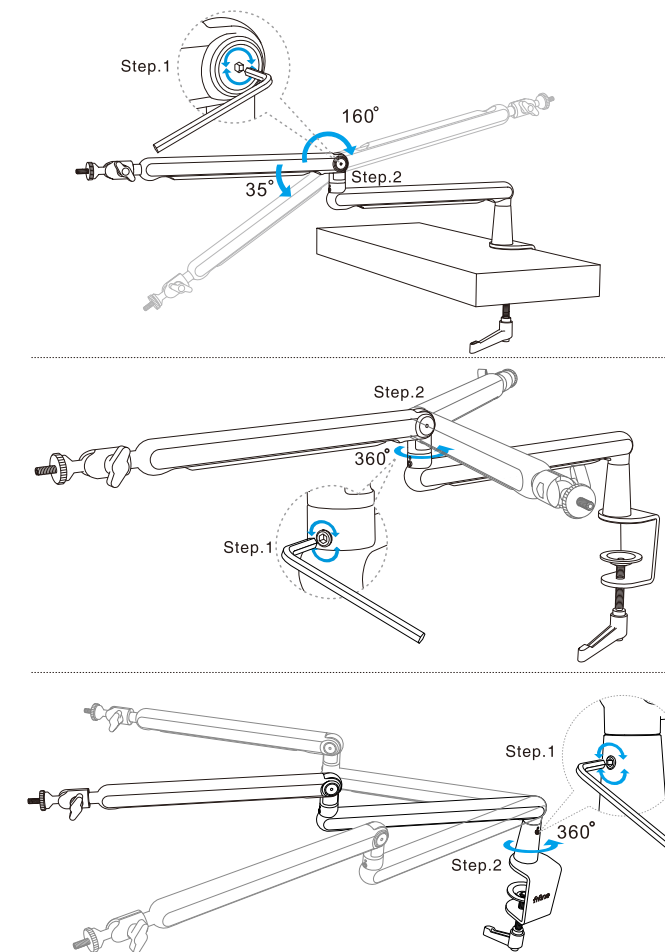


4. Boom Arm Adjustment-Use allen wrench to counterclockwise loosen screw, adjust the boom arm to a suitable angle, and then clockwise tighten the screw.



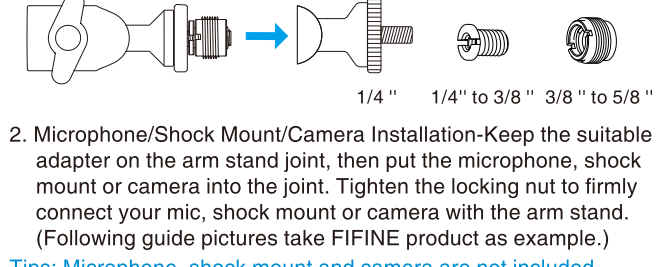
Allen Wrench
Tips: Do not overlighten the screw.

5
6
7
8
9



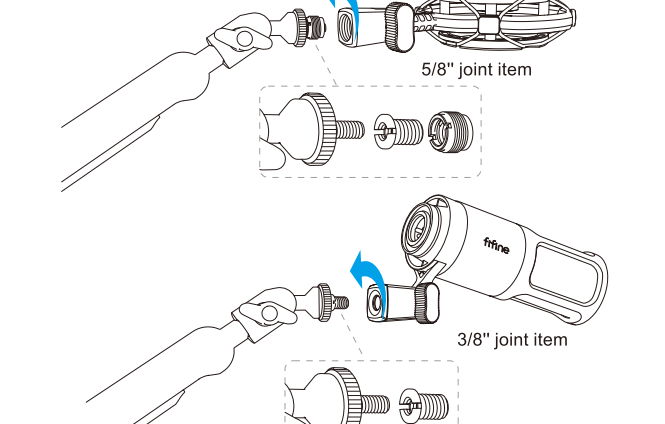
APPLICATION OF THE STAND

1. Select Adapter-The arm stand is featured with a 1/4" screw nut, and the product comes with a 1/4" to 3/8" adapter and a 3/8" to 5/8" adapter. Select the adapter up to the size of your microphone, shock mount, mic holder or camera. (**Tips:** Unscrew the two adapters separately to disassemble for the required size adapter.)



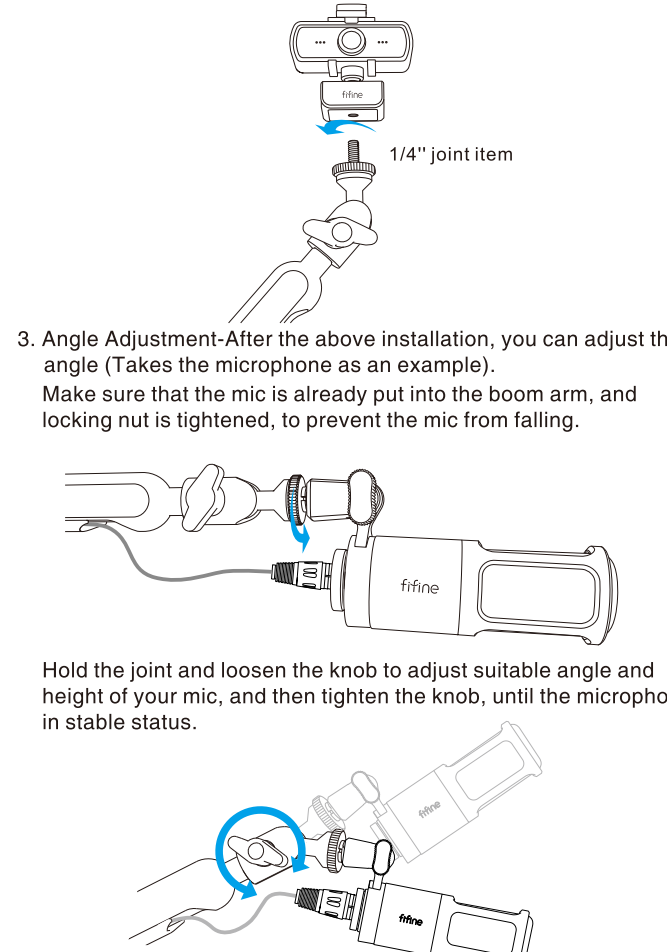
1/4" 1/4" to 3/8" 3/8" to 5/8"

2. Microphone/Shock Mount/Camera Installation-Keep the suitable adapter on the arm stand joint, then put the microphone, shock mount or camera into the joint. Tighten the locking nut to firmly connect your mic, shock mount or camera with the arm stand. (Following guide pictures take FIFINE product as example.)
Tips: Microphone, shock mount and camera are not included.



5/8" joint item
3/8" joint item

3. Angle Adjustment-After the above installation, you can adjust the angle (Takes the microphone as an example). Make sure that the mic is already put into the boom arm, and locking nut is tightened, to prevent the mic from falling.



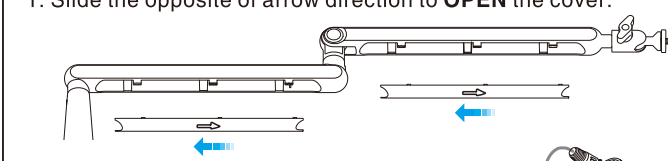
1/4" joint item

Hold the joint and loosen the knob to adjust suitable angle and height of your mic, and then tighten the knob, until the microphone in stable status.

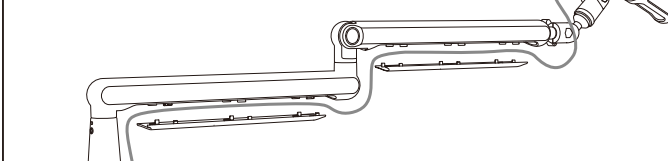
USES OF CABLE MANAGEMENT CHANNELS

Use the integrated cable channels to manage mic or camera cables.

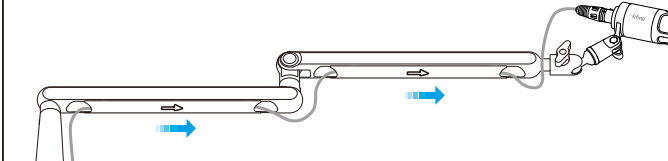
1. Slide the opposite of arrow direction to **OPEN** the cover.



2. Put the mic or camera cables into the channels.



3. Slide the arrow direction to **CLOSE** the cover.



OPEN: Slide the opposite of arrow direction.
CLOSE: Slide the arrow direction.

Tips: Do not break it directly or it may not cover again.

IMPORTANT NOTICE

- The desk clamp supports a maximum desktop thickness of 60mm (2.4in).
- Do not use the product for hanging items exceeding 1.5kg/ 3.3lbs.
- Do not place hands in between boom arm segments when moving the boom arm stand.
- Be especially cautious when setting up near children.
- Keep the product away from dirt and dust. If it becomes dirty, wipe it lightly with a soft cloth moistened with a little water and mild, neutral detergent. Volatile agents may damage the product.

CONTACT US

Get Social: [Facebook page: http://bit.ly/FifinePage](https://www.facebook.com/fifine)
Email: web@fifine.cc
More product inquiries can be found on the website.
Company Website: <https://fifinemicrophone.com/>

WARRANTY

Fifine microphone warrants its hardware product defects in materials and workmanship for a period of one year from the date of original retail purchase, provided the purchase was made from authorized Fifine microphone dealer. This warranty is void if the equipment is altered, misused, mishandled, suffers excessive wear or is serviced by any parties not authorized by Fifine Microphone. For warranty service, contact your local distributor or web@fifine.cc