

GAMING DESK

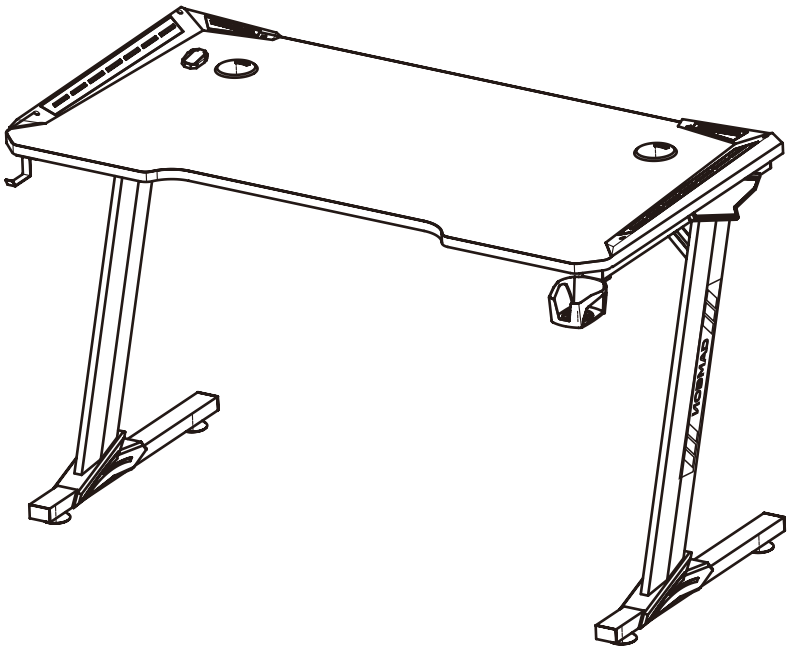
GO-RAPTORII



GAMEON

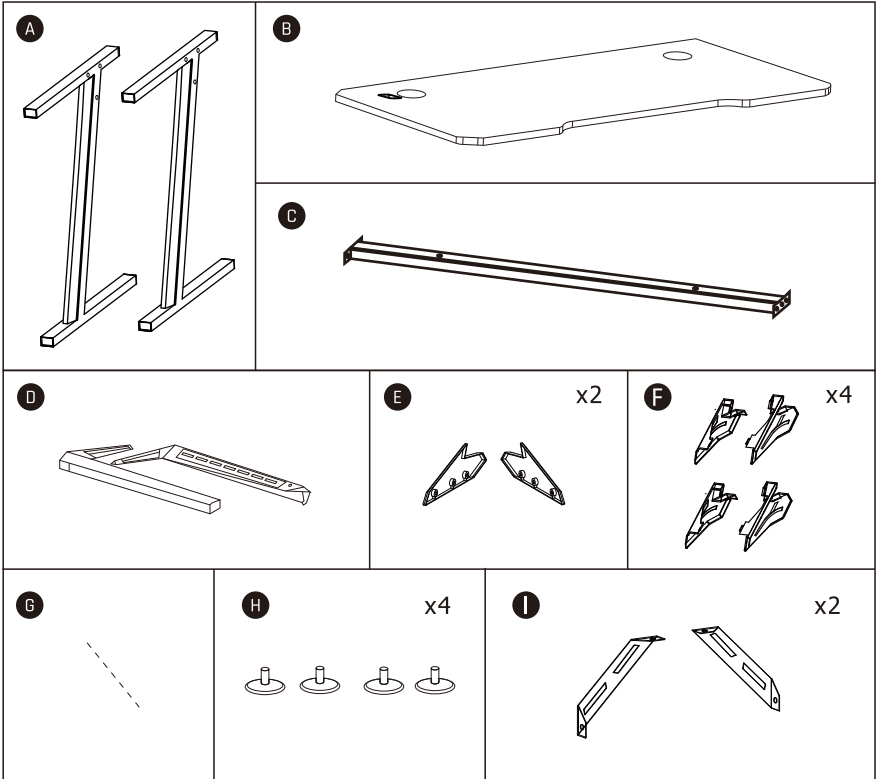
MADE BY GAMERS

USER MANUAL

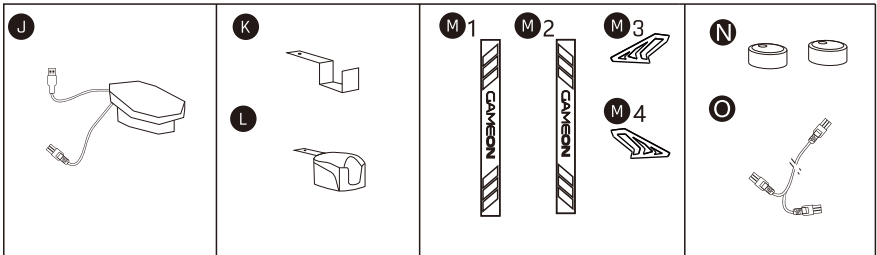


ASSEMBLY GUIDE

GAMING DESK

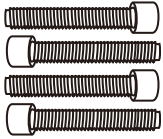
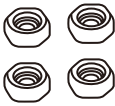


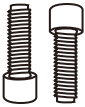
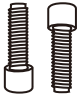

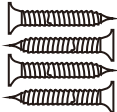
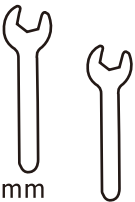






ACCESSORIES



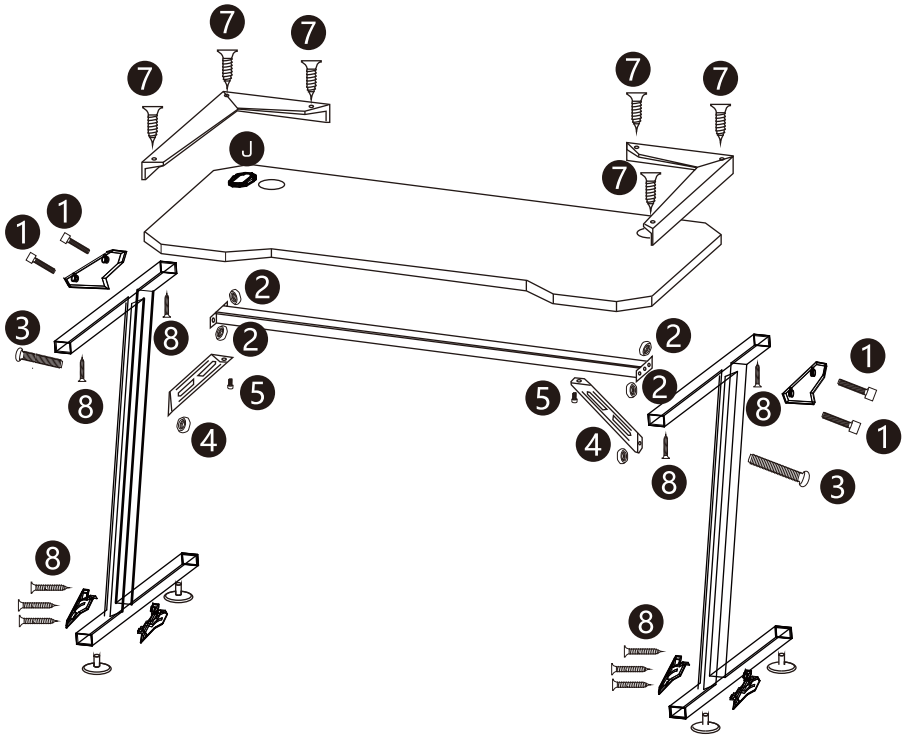
ASSEMBLY GUIDE

SCREWS & TOOLS

<p>1 x4</p>  <p>6x50mm</p>	<p>2 x4</p>  <p>6mm</p>	<p>3 x2</p>  <p>8x50mm</p>	<p>4 x2</p>  <p>8mm</p>	
<p>5 x2</p>  <p>8x20mm</p>	<p>6 x2</p>  <p>6x20mm</p>	<p>7 x6</p>  <p>M4 x 16mm</p>	<p>8 X10</p>  <p>M4 x 40mm</p>	
<p>9</p>  <p>14mm 10mm</p>	<p>10</p>  <p>2 heart Screw-driver</p>	<p>11</p>  <p>6mm</p>	<p>12</p>  <p>5mm</p>	<p>13 x8</p> 

TIPS: (After receiving the product, please check the accessories as shown in the figure. If the accessories are missing, please contact us in time)

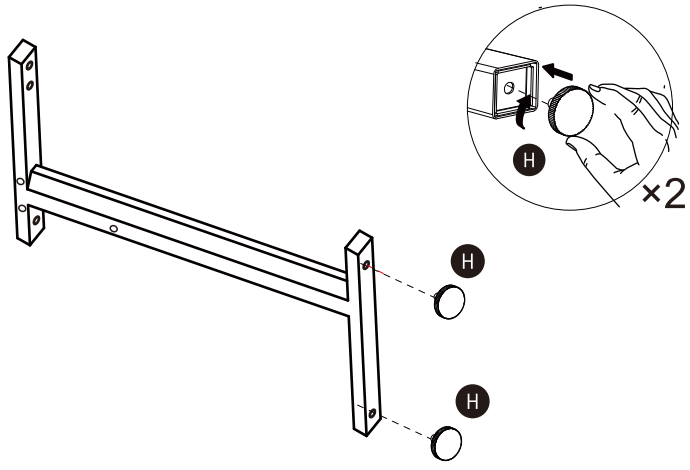
ASSEMBLY GUIDE



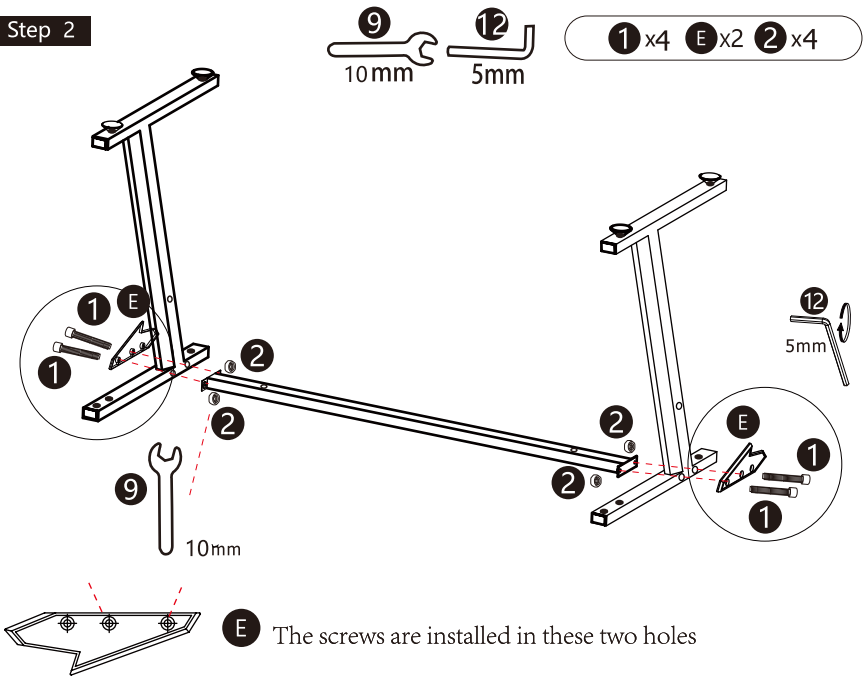
TIPS: Assembly the desk on a hard, flat surface. It is placed upside down for an easier assembly: we recommend placing a protective mat or cloth sheet to avoid staining or damaging the table or other surfaces.

ASSEMBLY GUIDE STEP 1 & 2

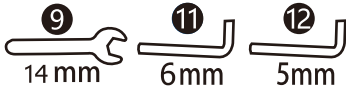
Step 1



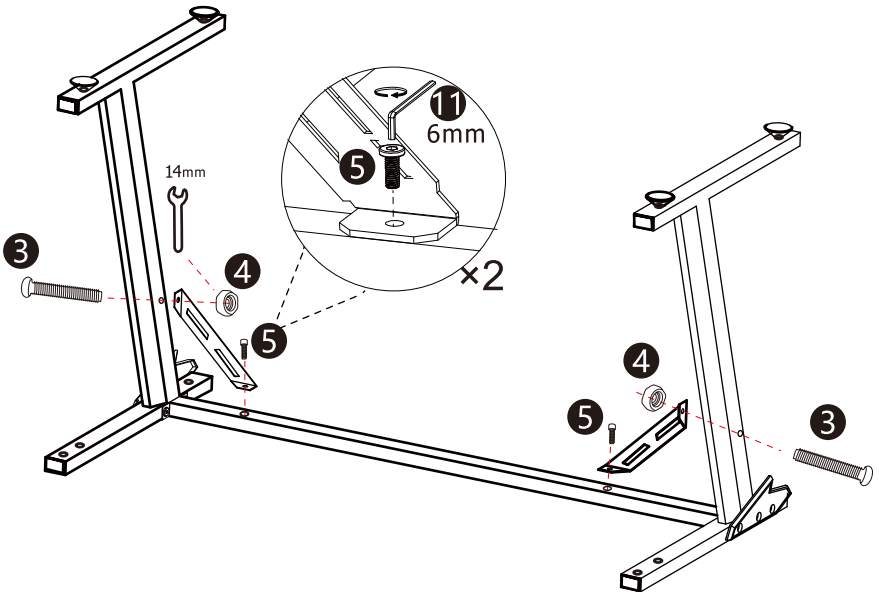
Step 2



ASSEMBLY GUIDE STEP 3



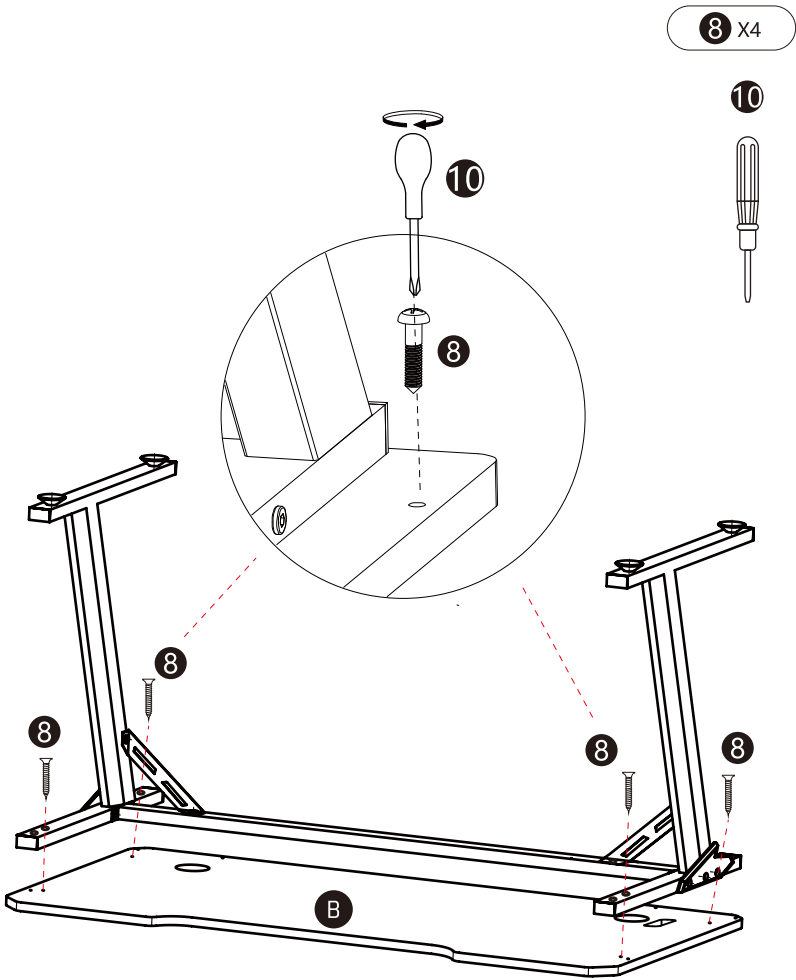
1 X2 3 X2 4 X2 5 X2



Attention:

Put all screws in the corresponding holes, and finally tighten them together.

ASSEMBLY GUIDE STEP 4



REMARK:

Put a blanket under the board to avoid scratch or damage.

ASSEMBLY GUIDE STEP 5

K

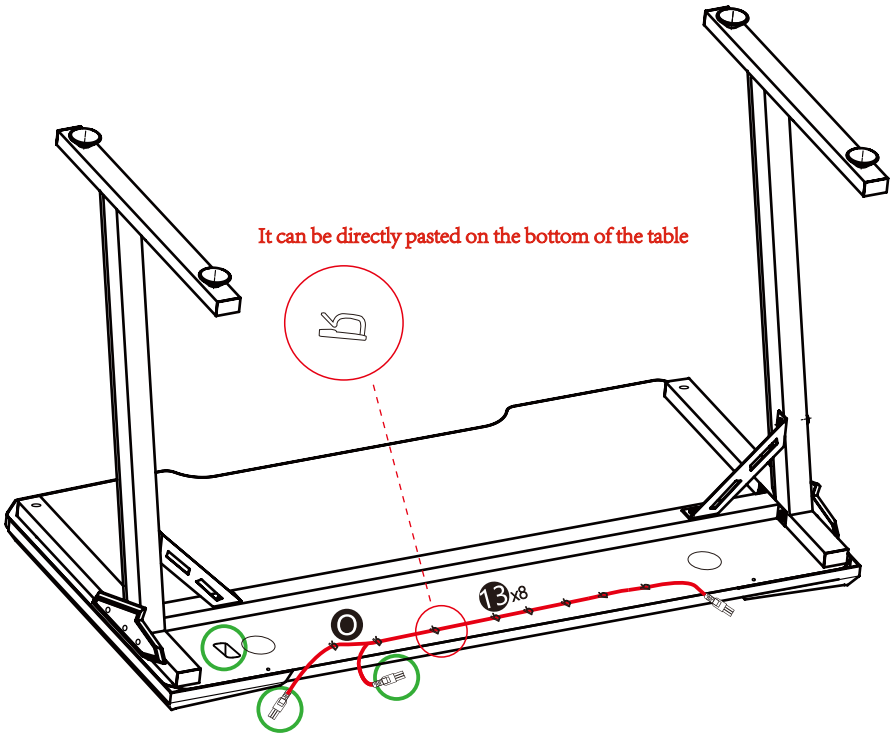


x1

13



x8

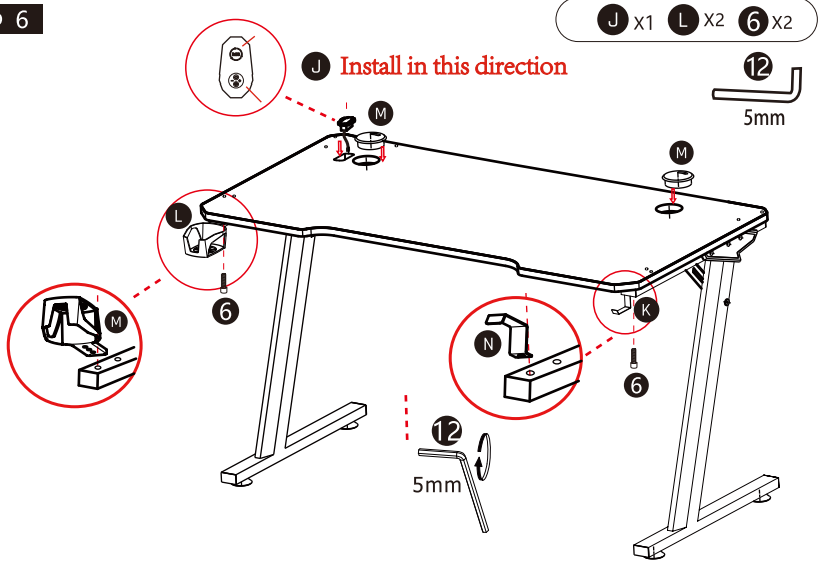


It can be directly pasted on the bottom of the table

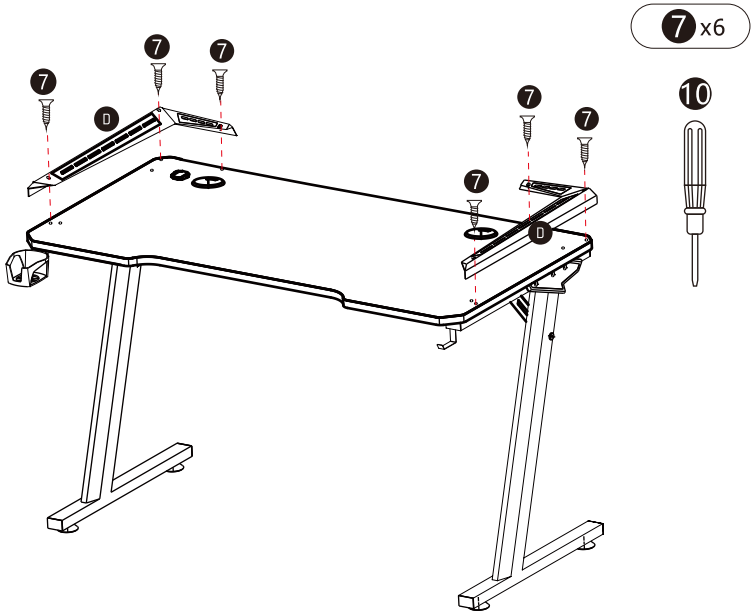
When installing the connecting wire of the light belt, pay attention to distinguish between the left and right. There are two wire ends of the should correspond to the installation position of the touch switch

ASSEMBLY GUIDE STEP 6 & 7

Step 6



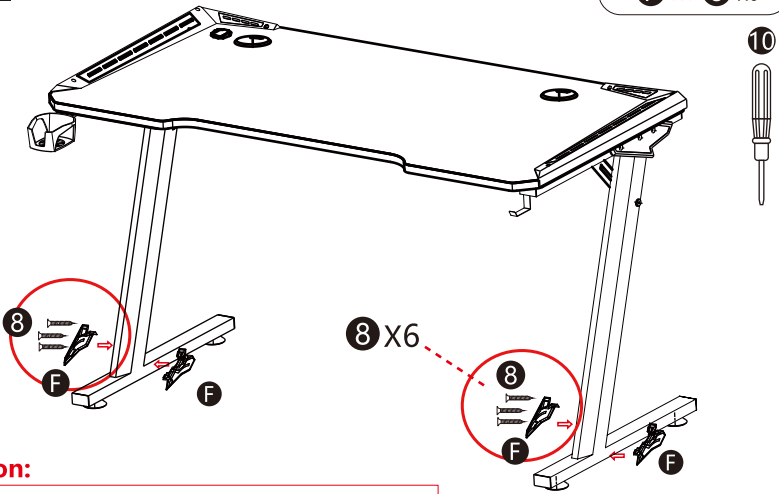
Step 7



ASSEMBLY GUIDE STEP 8 & 9

Step 8

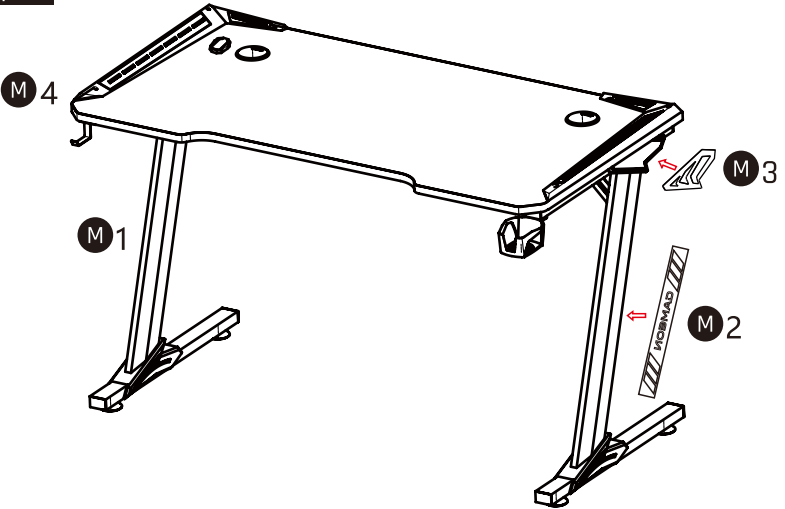
F X4 8 X6



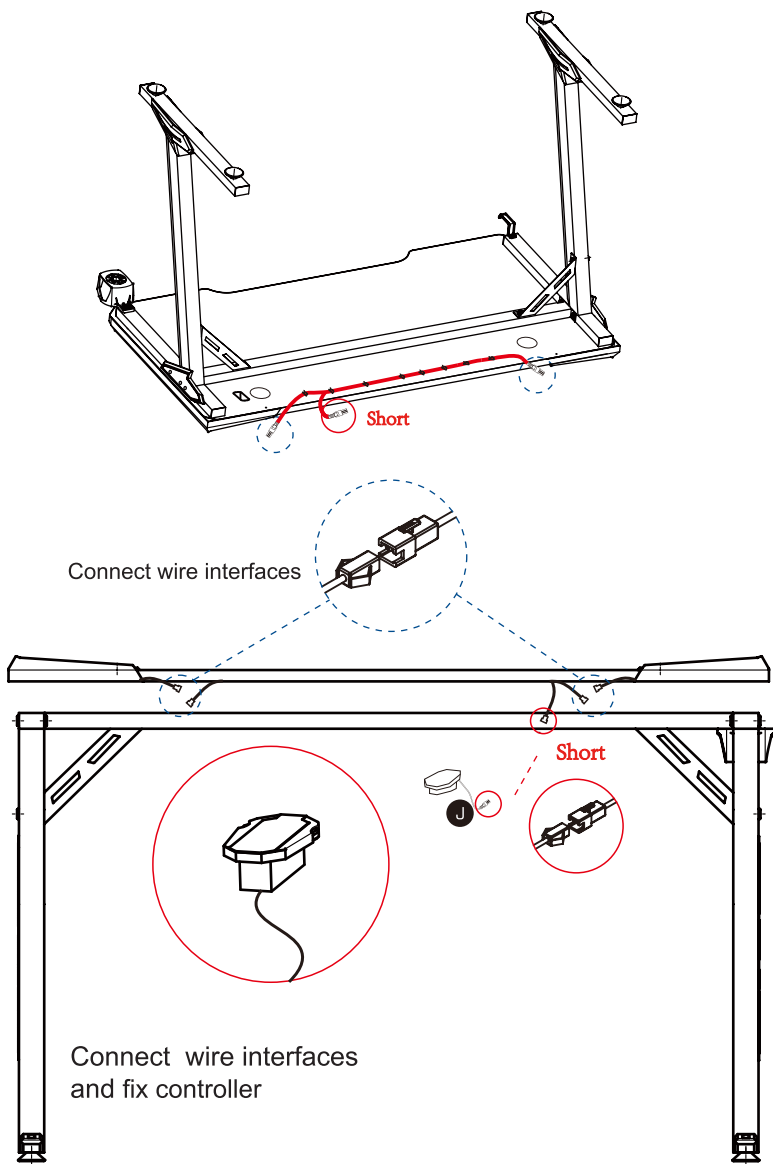
Attention:

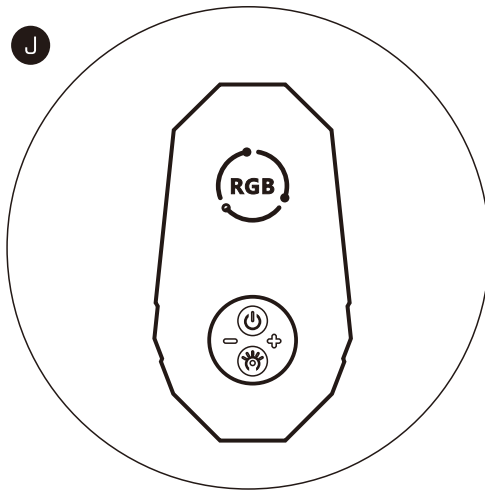
Secure the armor with your hands, then tighten the screws with a screwdriver

Step 9



CONTROLLER INSTALLATION





①: Light button description



ON/OFF ——Light memory function

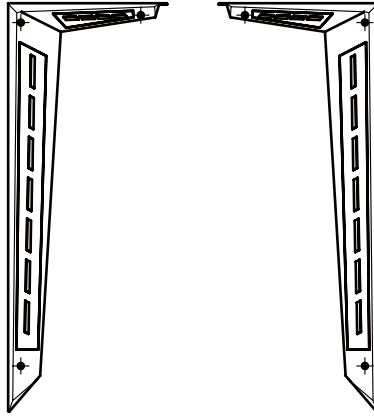


RGB---Model Switching/ lights effect type Switching

②: Lighting Effect Note

Breathing model	The seven-color lights light and shade flicker alternately
Dynamic monochrome	Monochrome automatic switching display
Dazzling/Following model	The seven-color lights cycles present alternately

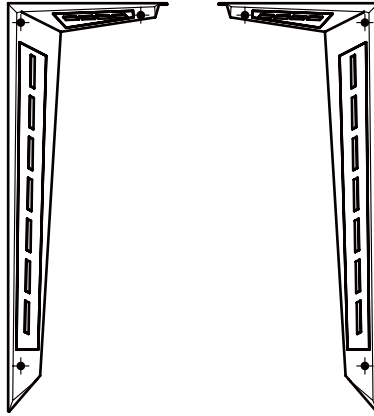
LIGHT KIT



Lighting Mode Description

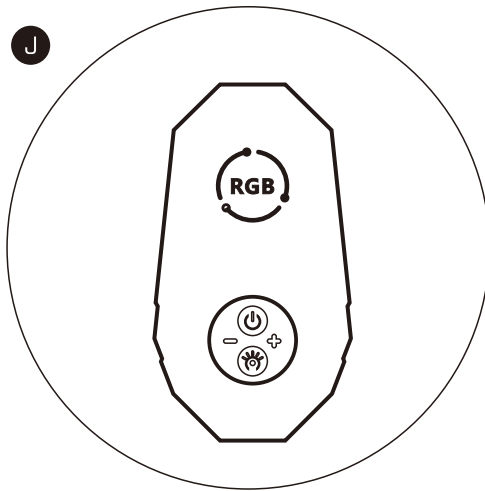
Key Order	Button	Key indication	Mode	Color type	
1		Press once to turn the lights on	Random	/	(Lighting Memory function (automatically jump to last shutdown condition))
2		Press to enter Breathing model	Breathing model	2	/
3		Press to enter the Dynamic monochrome	Dynamic monochrome	1	Each color will be automatically converted after 8 seconds The color switching sequence is as following Red-Green-Blue-yellow-Indigo-Purple
4		Press to enter the Dazzing/ Following model	Dazzing/ Following model	18	/
5		Press once to turn the lights off	/	/	All lights are off.

LIGHT KIT



Lighting Mode Description

Key Order	Button	Key indication	Mode	Color type	
1		Press once to turn the lights on	Random	/	(Lighting Memory function (automatically jump to last shutdown condition))
2		Press to enter Breathing model	Breathing model	2	/
3		Press to enter the Dynamic monochrome	Dynamic monochrome	1	Each color will be automatically converted after 8 seconds The color switching sequence is as following Red-Green-Blue-yellow-Indigo-Purple
4		Press to enter the Dazzing/ Following model	Dazzing/ Following model	18	/
5		Press once to turn the lights off	/	/	All lights are off.



①: Light button description



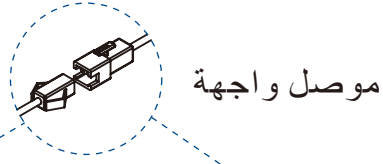
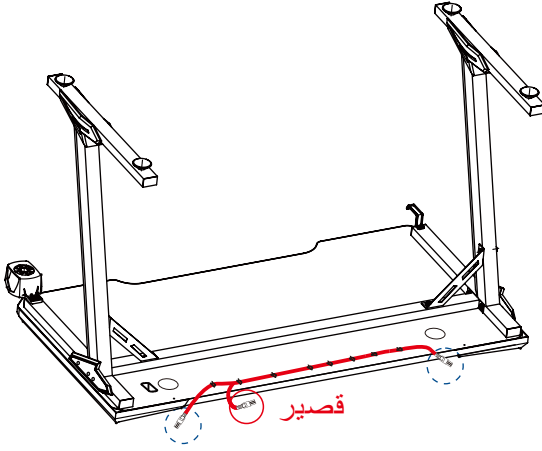
ON/OFF ——Light memory function



RGB---Model Switching/ lights effect type Switching

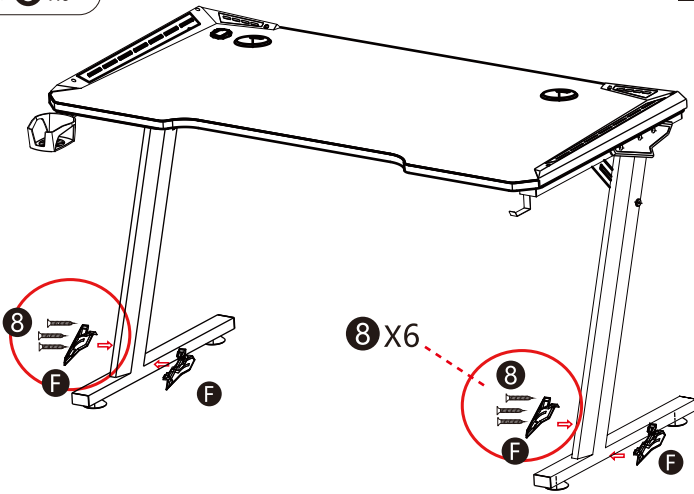
②: Lighting Effect Note

Breathing model	The seven-color lights light and shade flicker alternately
Dynamic monochrome	Monochrome automatic switching display
Dazzling/Following model	The seven-color lights cycles present alternately

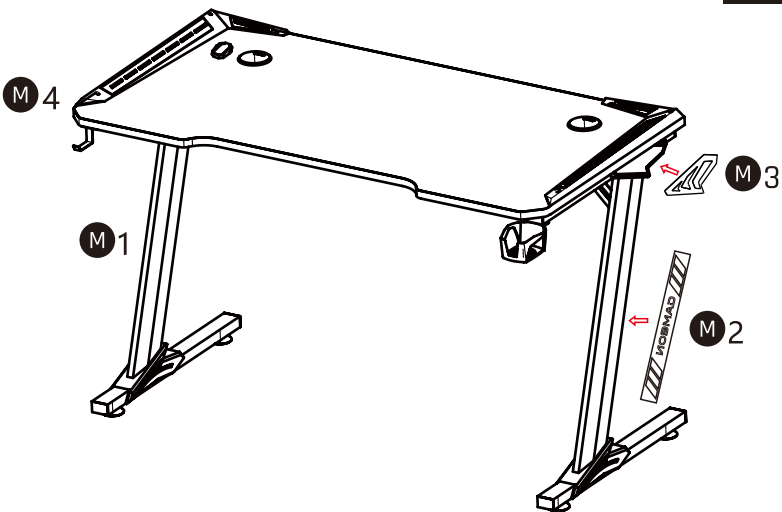


F X4 8 X6

10

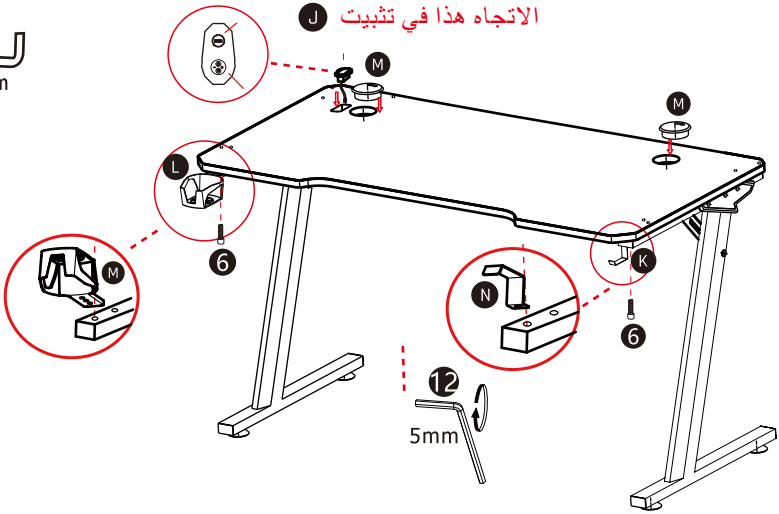


البراغي مفك باستخدام البراغي ربط أحكم ثم ، بيديك الدرع بتثبيت قم :تنبيه



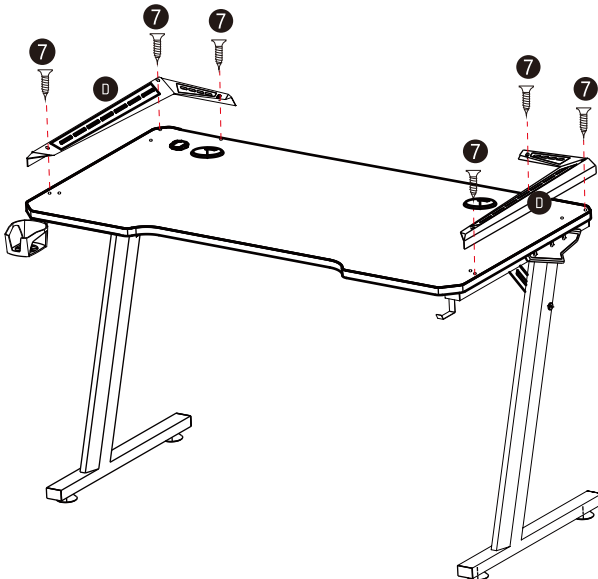
J X1 L X2 6 X2

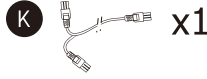
الخطوة 6



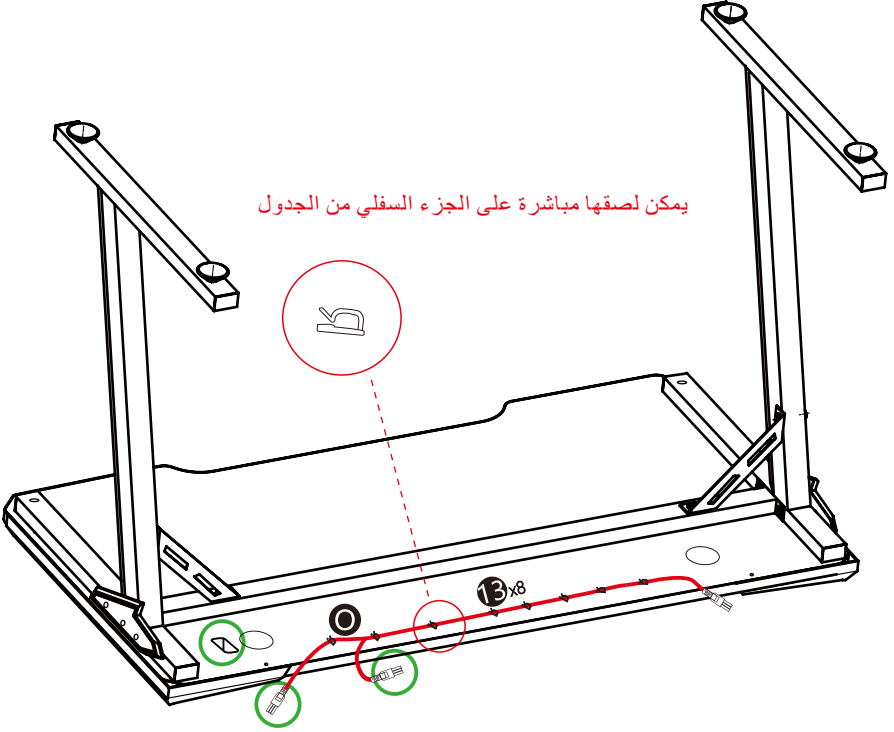
7 x6

الخطوة 7





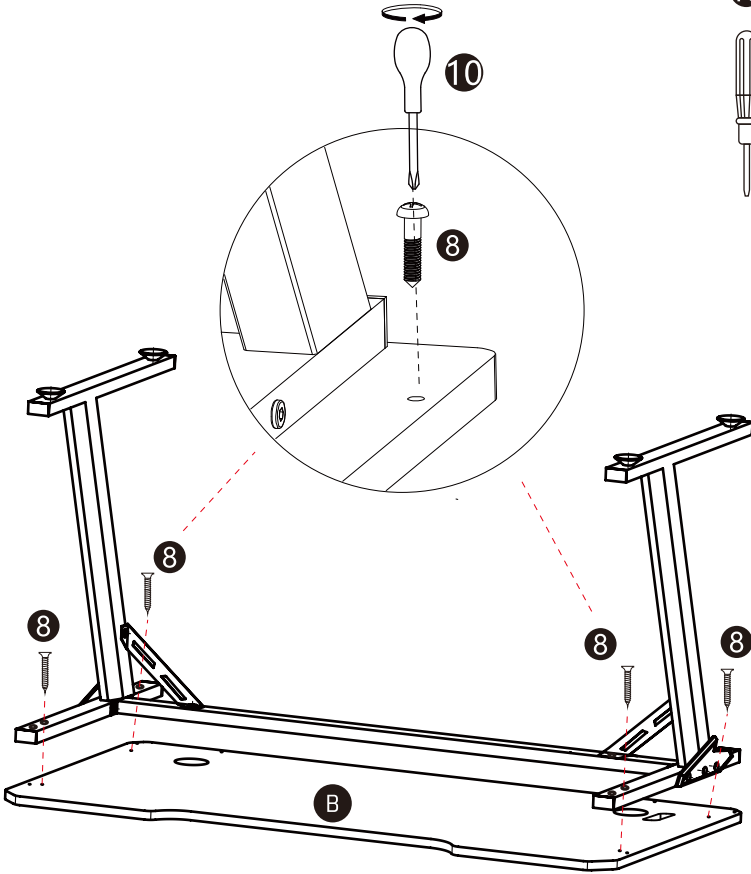
يمكن لصقها مباشرة على الجزء السفلي من الجدول



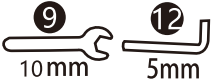
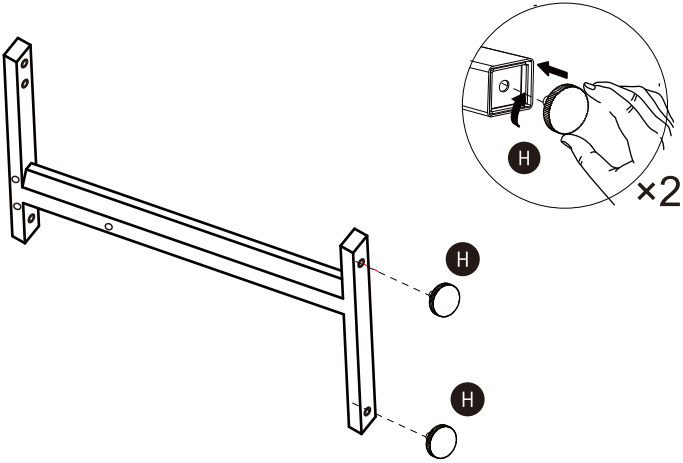
يجب طرفان هناك. واليمين اليسار بين للتمييز انتبه ، الضوء حزام توصيل سلك تثبيت عند اللمس مفتاح تثبيت موضع مع يتوافق أن

8 X4

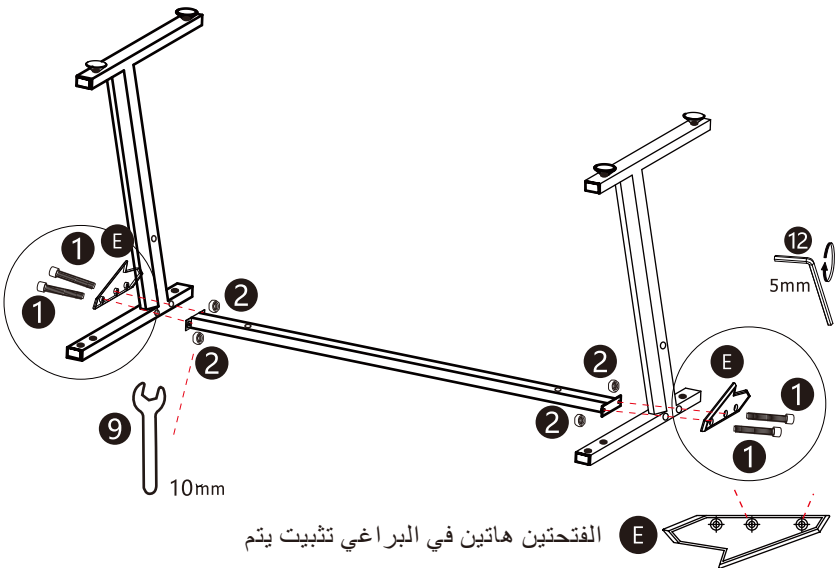
10



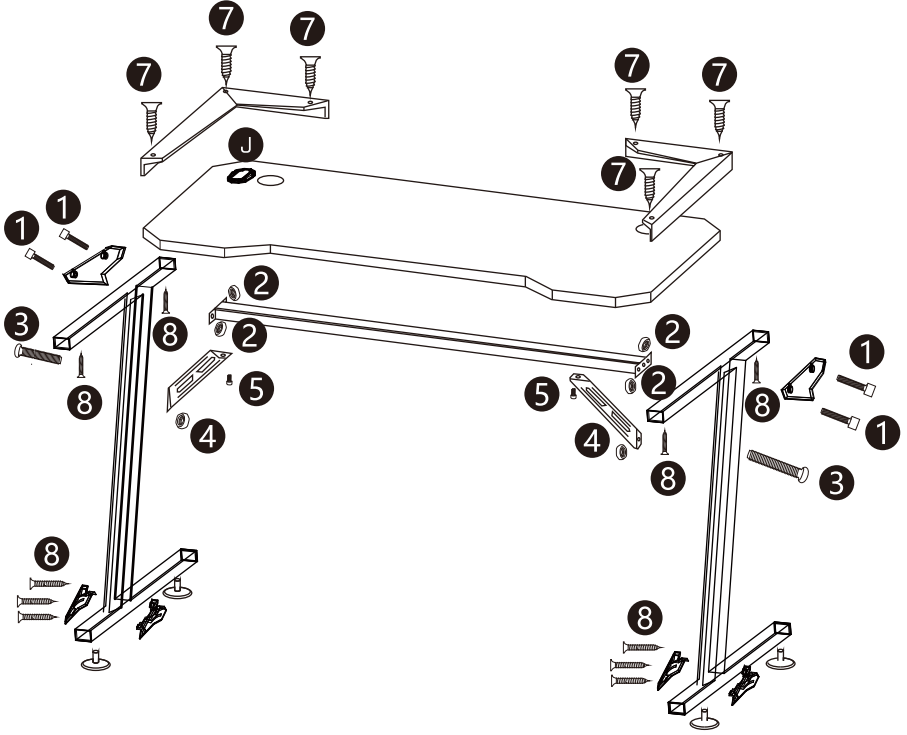
ملاحظة:
تلف أو خدش ذلك لتجنب اللوح تحت بطانية ضع



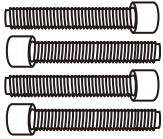
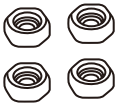


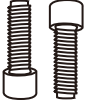
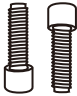


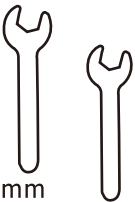




1 x4 E x2 2 x4



الفتحتين هاتين في البراغي تثبتت يتم

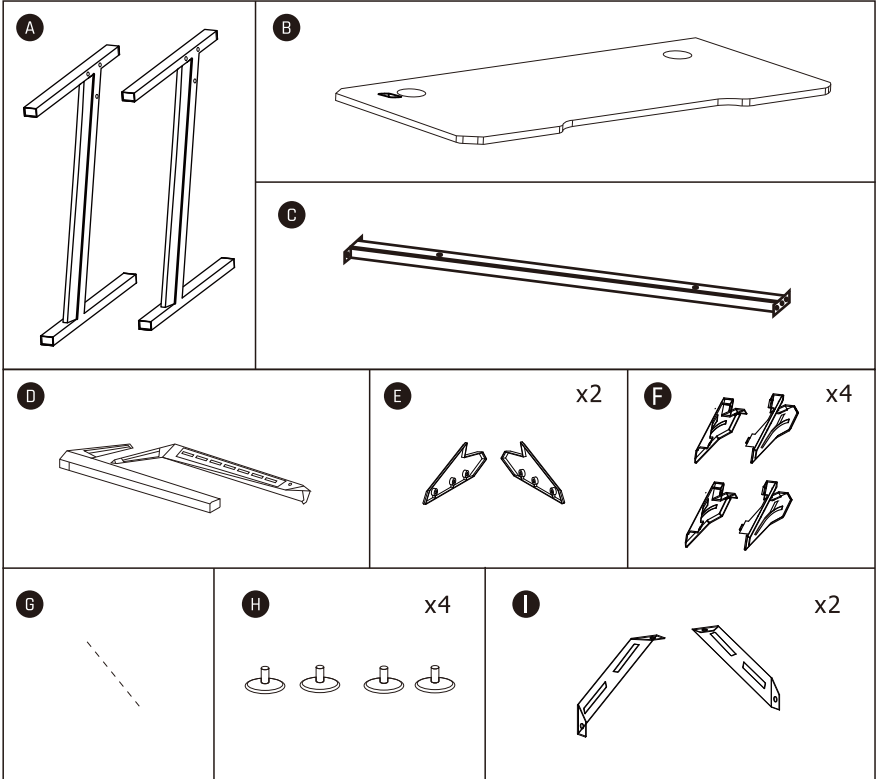


عقب على رأساً وضعها يتم. ومستوى صلب سطح على المكتب بتجميع قم: نصائح
 إتلاف أو تلطيخ لتجنب قماش قطعة أو واقية حصيرة بوضع نوصي: التجميع لسهولة
 الأخرى الأسطح أو الطاولة

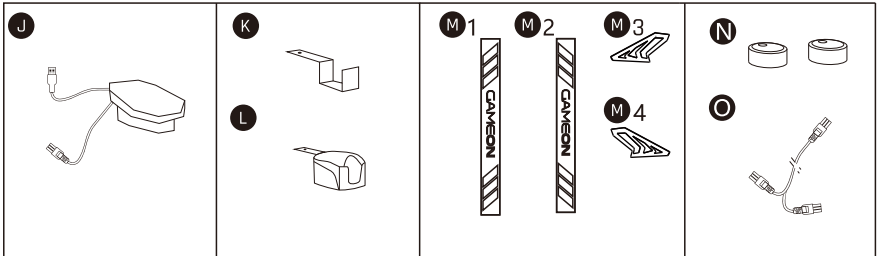
<p>1 x4</p>  <p>6x50mm</p>	<p>2 x4</p>  <p>6mm</p>	<p>3 x2</p>  <p>8x50mm</p>	<p>4 x2</p>  <p>8mm</p>	
<p>5 x2</p>  <p>8x20mm</p>	<p>6 x2</p>  <p>6x20mm</p>	<p>7 x6</p>  <p>M4 x 16mm</p>	<p>8 X10</p>  <p>M4 x 40mm</p>	
<p>9</p>  <p>14mm 10mm</p>	<p>10</p>  <p>2 heart Screw-driver</p>	<p>11</p>  <p>6mm</p>	<p>12</p>  <p>5mm</p>	<p>13 x8</p> 

إذا الشكل في موضع هو كما الملحقات من التحقق يرجى ، المنتج استلام بعد) :نصائح
(المناسب الوقت في بنا الاتصال يرجى ، مفقودة الملحقات كانت

الالعب طاولة



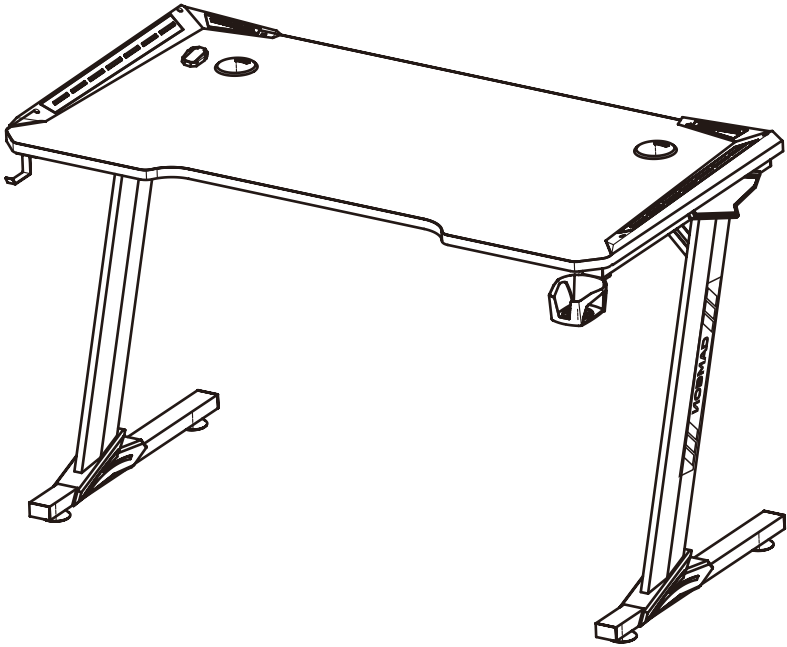
الملحقات





GAMEON
MADE BY GAMERS

GO-RAPTORII



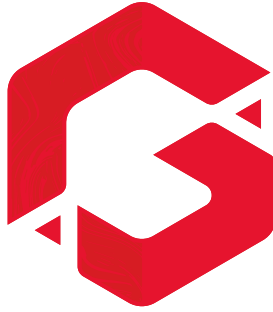
CONTACT **US**
HEY@GAMEON.STORE

WWW.GAMEON.STORE



الألعاب طاولة

GO-RAPTORII



دليل المستخدم