

GAMING DESK

GO-PHANTOMXL-L



GAMEON

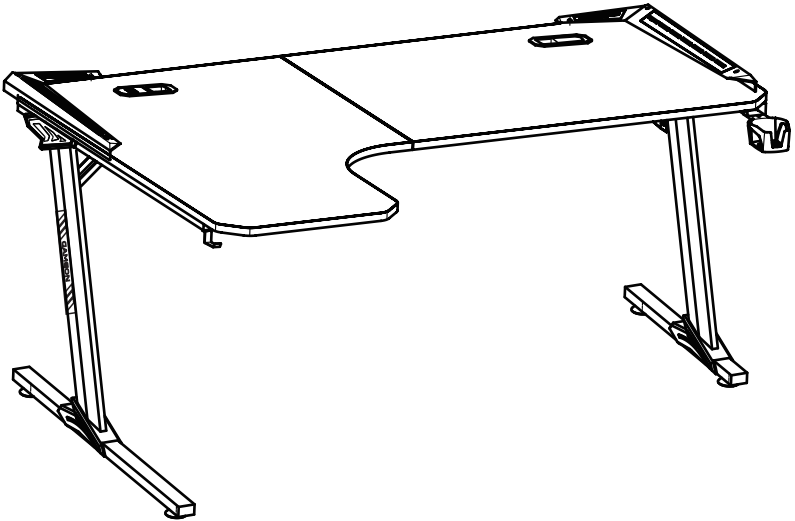
MADE BY GAMERS

USER MANUAL



GAMEON
MADE BY GAMERS

GO-PHANTOMXL-L



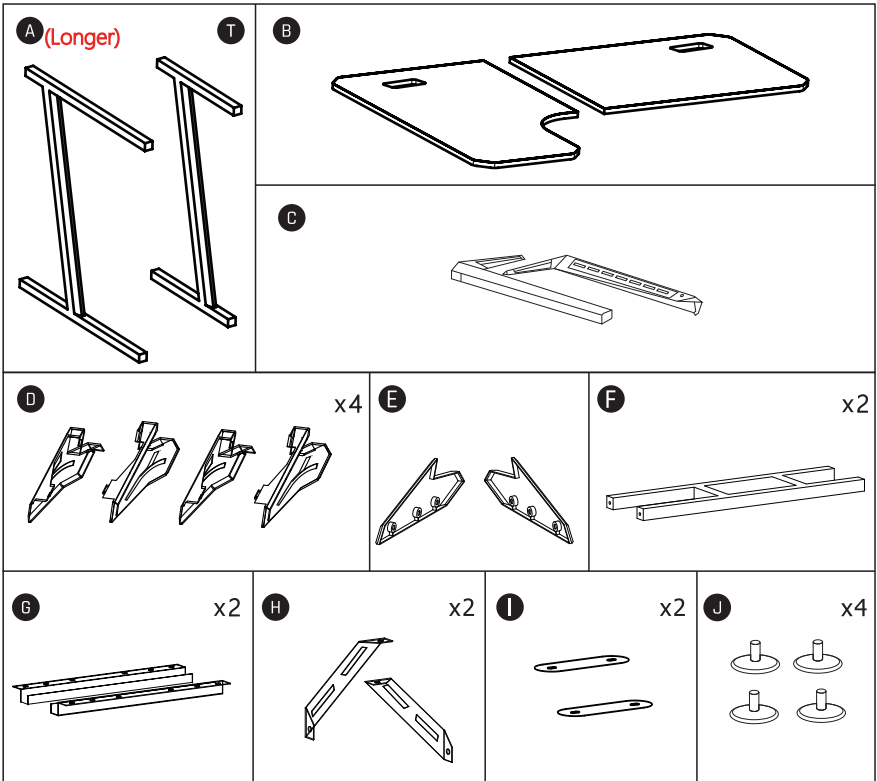
CONTACT US
HEY@GAMEON.STORE

WWW.GAMEON.STORE

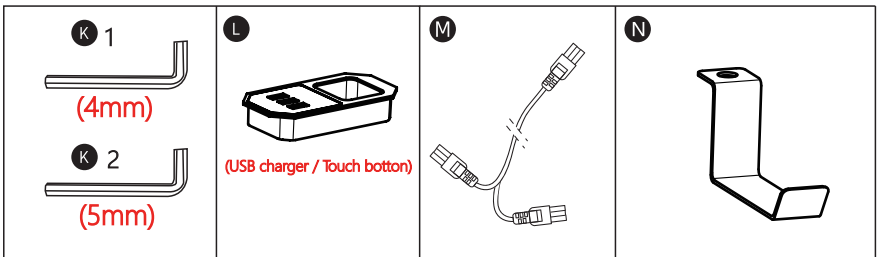


ASSEMBLY GUIDE

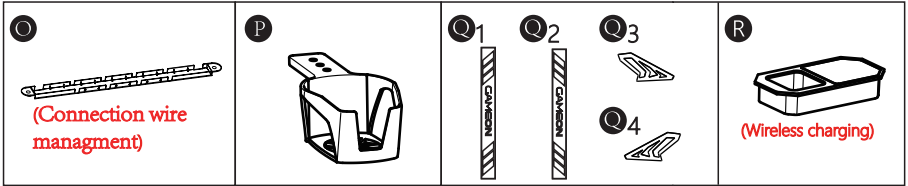
GAMING DESK



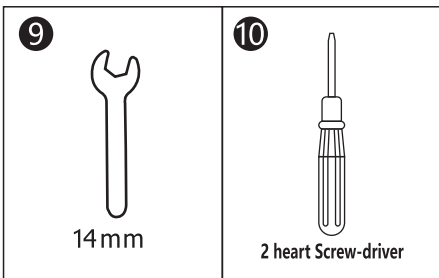
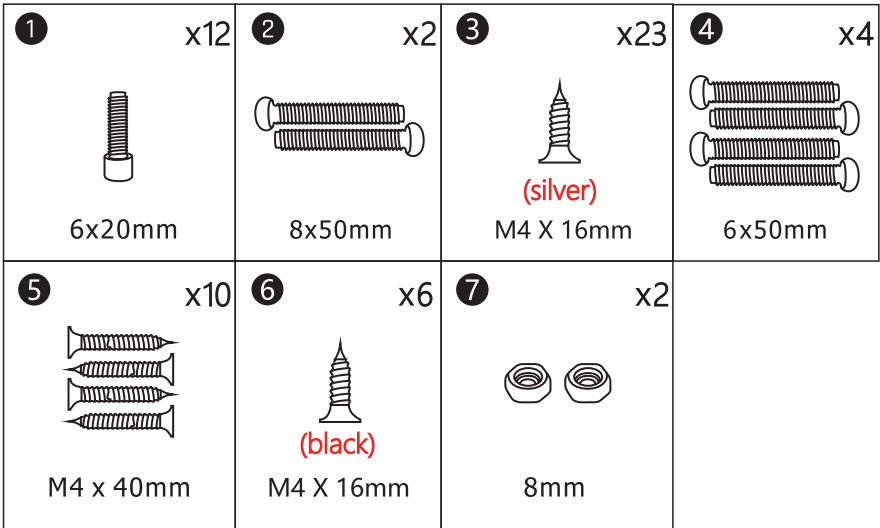
ACCESSORIES



ASSEMBLY GUIDE

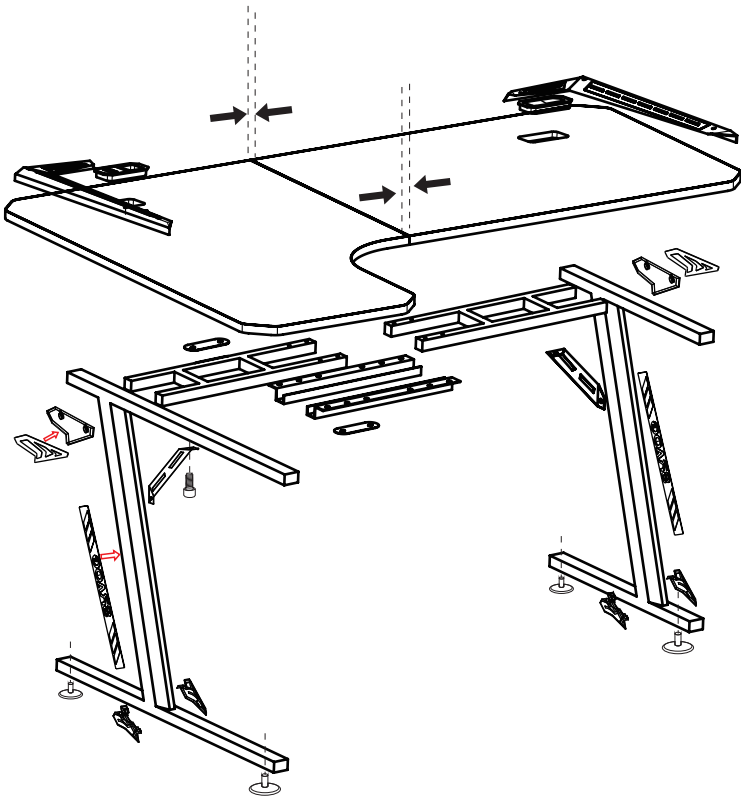


SCREWS & TOOLS



TIPS: (After receiving the product, please check the accessories as shown in the figure. If the accessories are missing, please contact us in time)

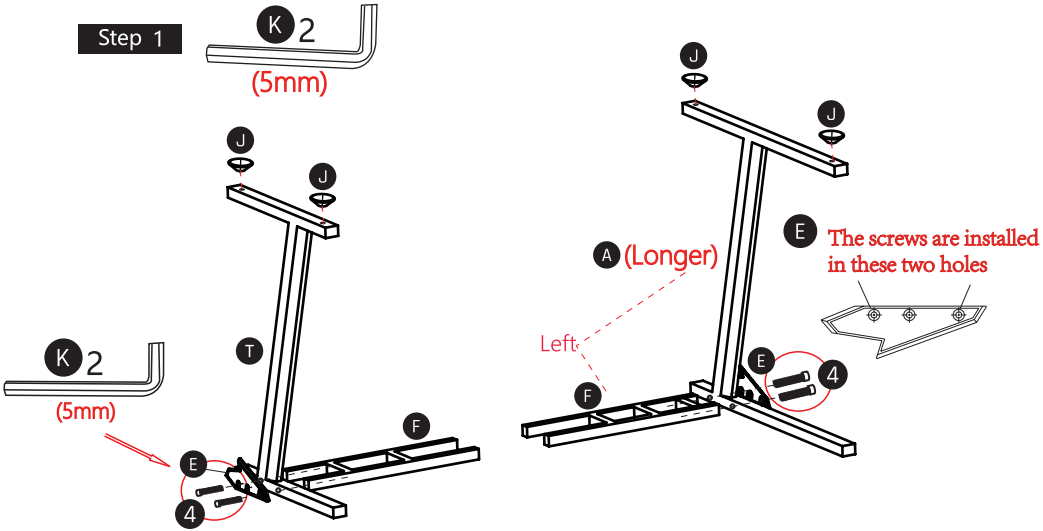
ASSEMBLY GUIDE



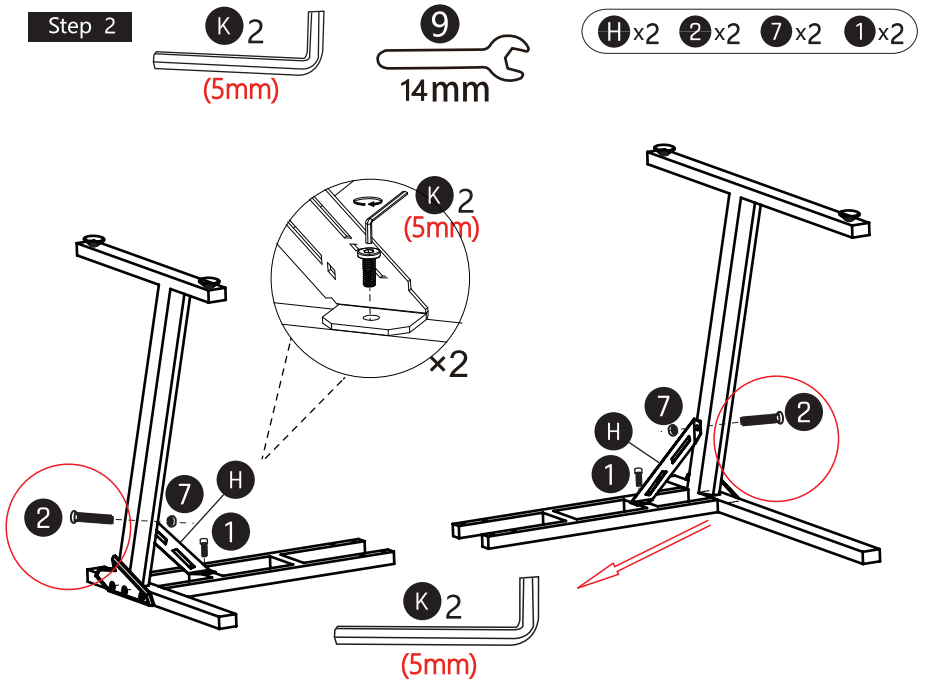
TIPS: Assemble the desk on a hard, flat surface. It is placed upside down for an easier assembly: we recommend placing a protective mat or cloth sheet to avoid staining or damaging the table or other surfaces.

ASSEMBLY GUIDE STEP 1 & 2

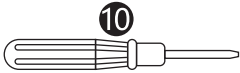
Step 1



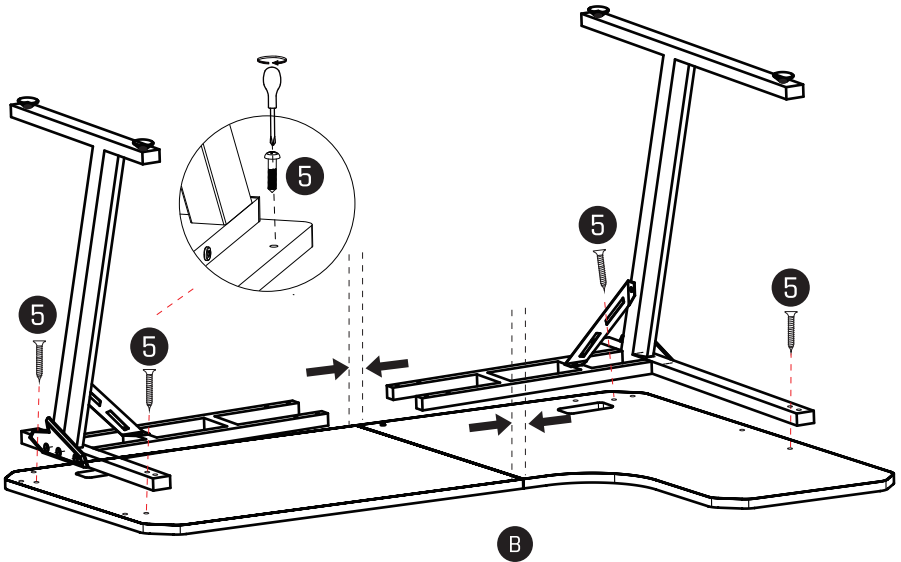
Step 2



ASSEMBLY GUIDE STEP 3



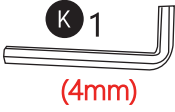
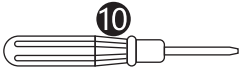
1x2 3x2 4x2 5x2



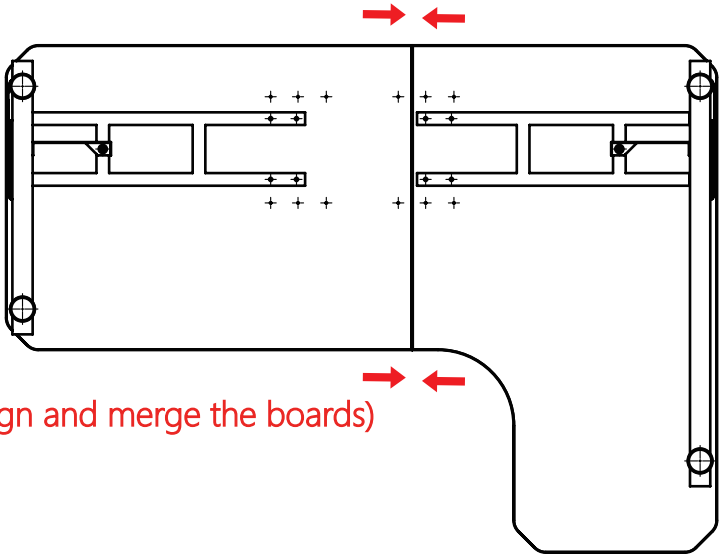
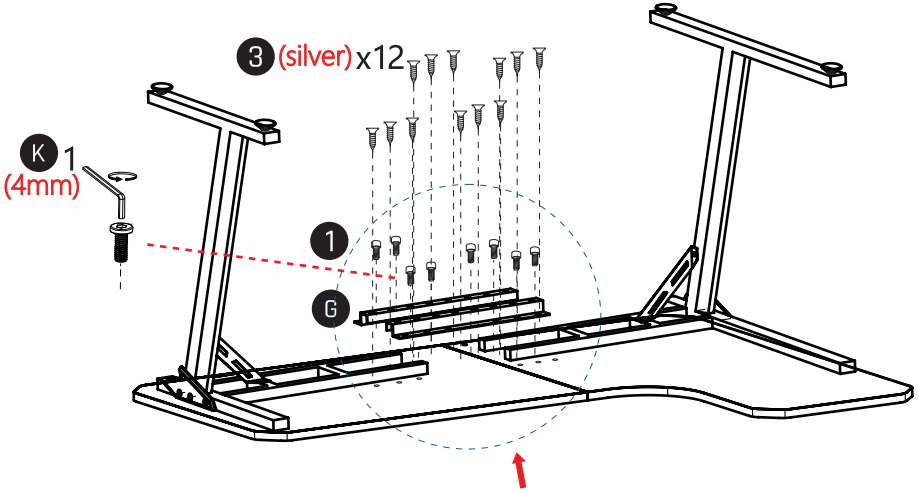
REMARK:

Put a blanket under the board to avoid scratch or damage.

ASSEMBLY GUIDE STEP 4

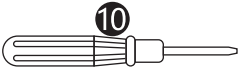


- G x2
- 3 (silver) x12
- 1 x8

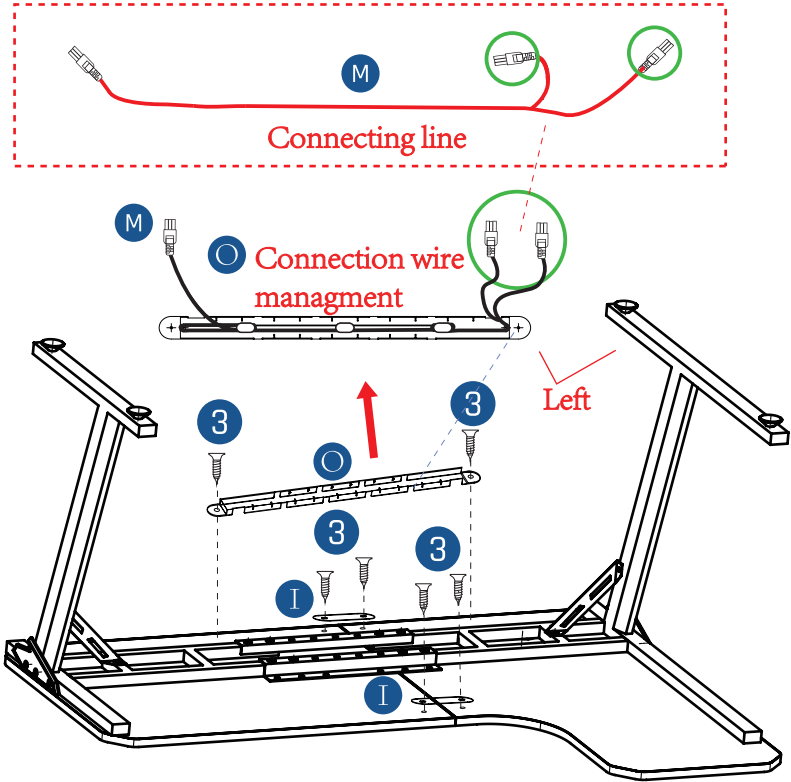


(Align and merge the boards)

ASSEMBLY GUIDE STEP 5



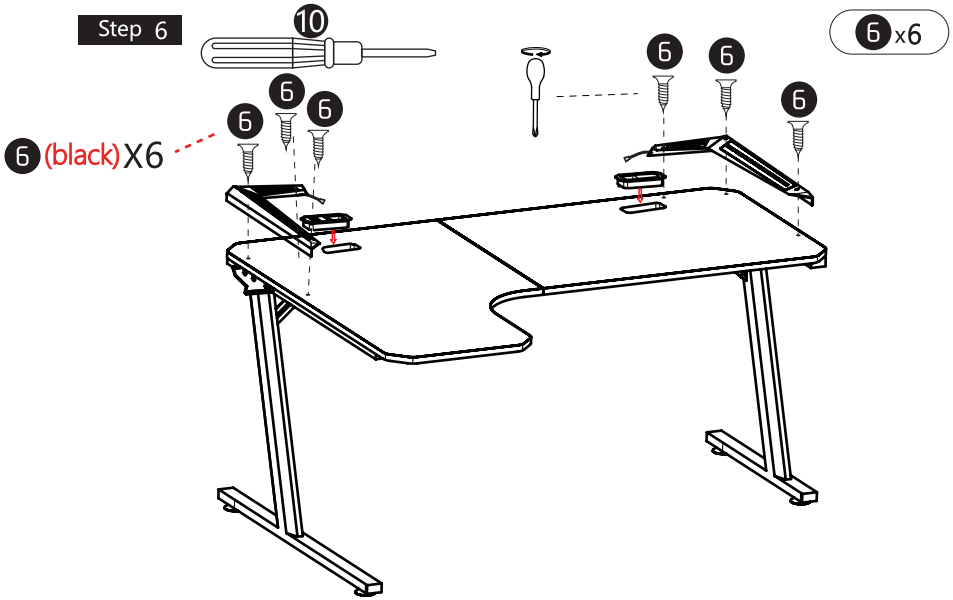
- I x2
- 3 (silver) x6
- M x1
- O x1



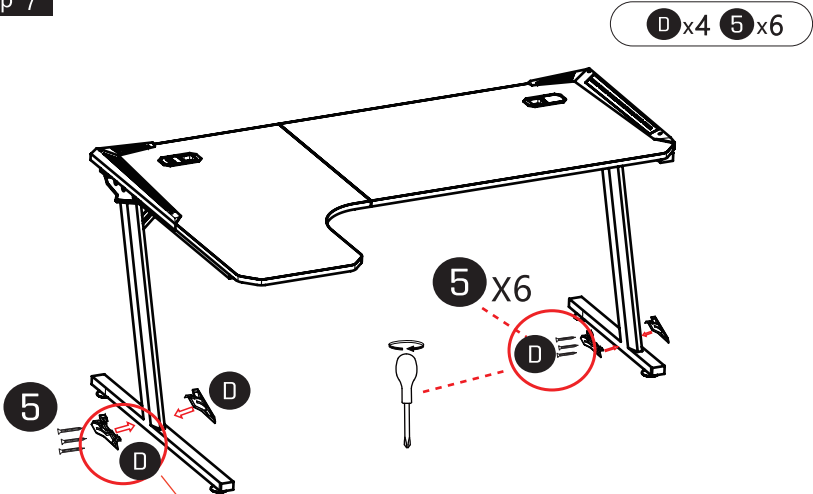
(Pay attention to distinguish between left and right)

ASSEMBLY GUIDE STEP 6 & 7

Step 6



Step 7



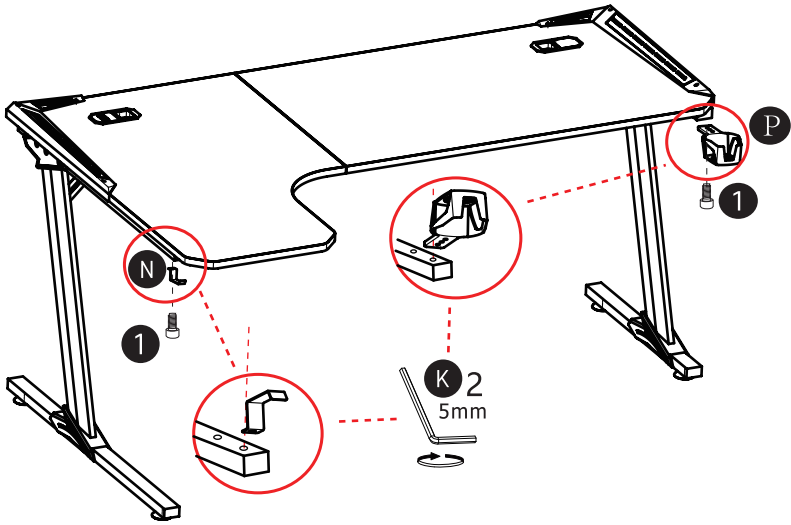
Attention:

Secure the armor with your hands, then tighten the screws with a screwdriver

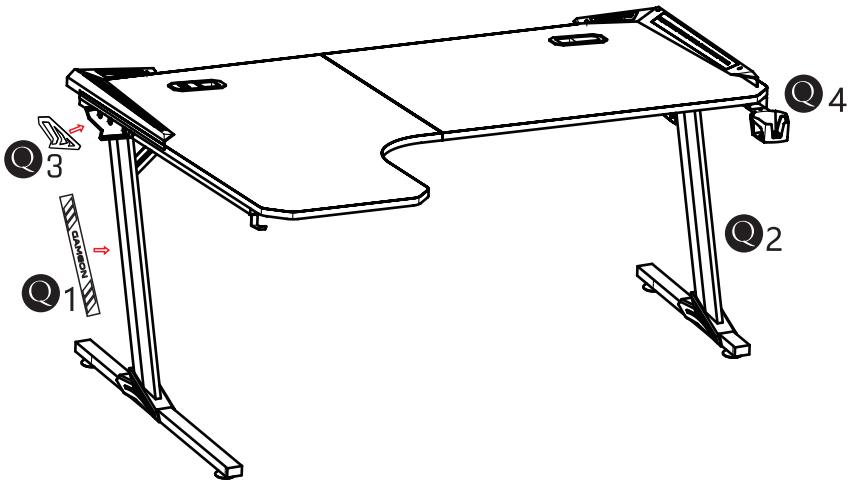
ASSEMBLY GUIDE STEP 8 & 9

Step 8

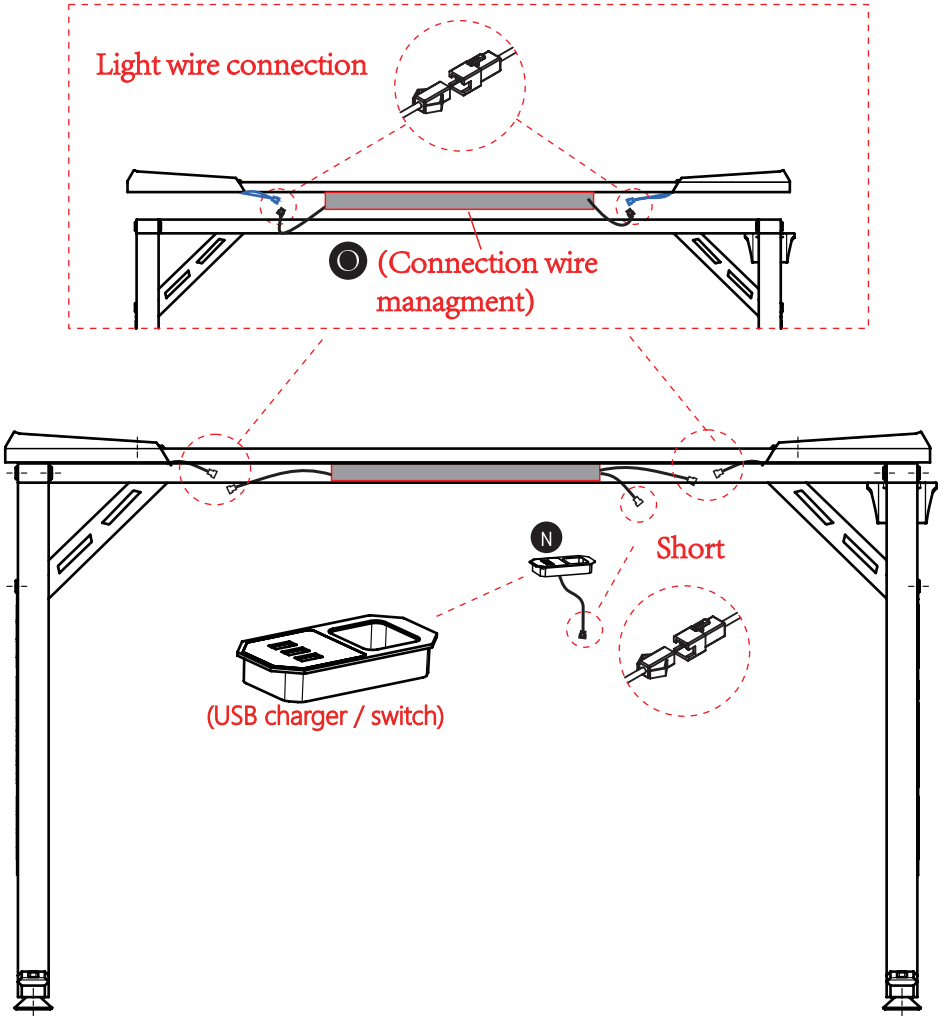
N X1 P X1 1 X2



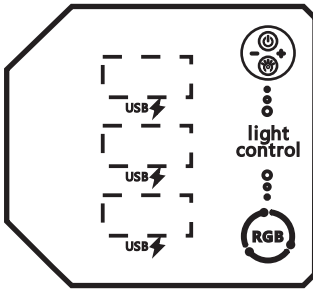
Step 9



CONTROLLER INSTALLATION



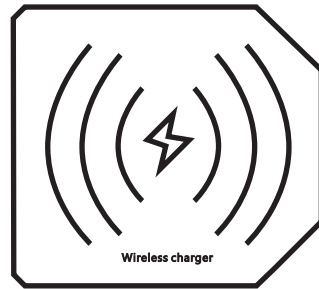
TOUCH BOTTON



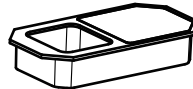
L



(USB charger / Touch button)



R



(Wireless charging)

L Touch button

①: Light button description



ON/OFF —— Light memory function



RGB---Model Switching/ lights effect type Switching

②: Lighting Effect Note

Breathing model	The seven-color lights light and shade flicker alternately
Dynamic monochrome	Monochrome automatic switching display
Dazzling/Following model	The seven-color lights cycles present alternately

③: USB Charger

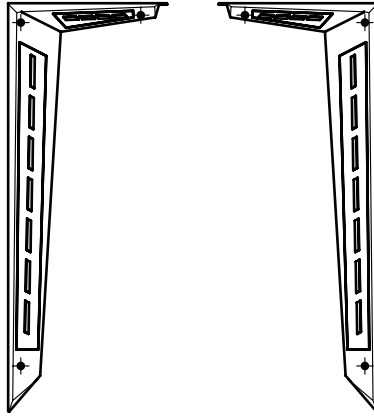


Insert the data cable and use it

④: Wireless charging

Put the mobile phone that supports wireless charging on and use it

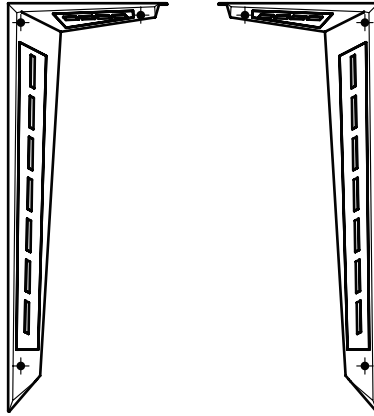
LIGHT KIT



Lighting Mode Description

Key Order	Button	Key indication	Mode	Color type	
1		Press once to turn the lights on	Random	/	(Lighting Memory function (automatically jump to last shutdown condition))
2		Press to enter Breathing model	Breathing model	2	/
3		Press to enter the Dynamic monochrome	Dynamic monochrome	1	Each color will be automatically converted after 8 seconds The color switching sequence is as following Red-Green-Blue-yellow-Indigo-Purple
4		Press to enter the Dazzing/Following model	Dazzing/Following model	18	/
5		Press once to turn the lights off	/	/	All lights are off.

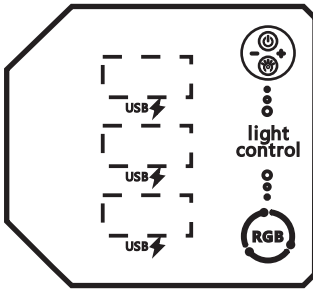
LIGHT KIT



Lighting Mode Description

Key Order	Button	Key indication	Mode	Color type	
1		Press once to turn the lights on	Random	/	(Lighting Memory function (automatically jump to last shutdown condition))
2		Press to enter Breathing model	Breathing model	2	/
3		Press to enter the Dynamic monochrome	Dynamic monochrome	1	Each color will be automatically converted after 8 seconds The color switching sequence is as following Red-Green-Blue-yellow-Indigo-Purple
4		Press to enter the Dazzing/ Following model	Dazzing/ Following model	18	/
5		Press once to turn the lights off	/	/	All lights are off.

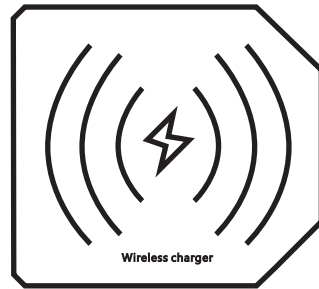
TOUCH BOTTON



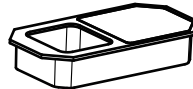
L



(USB charger / Touch button)



R



(Wireless charging)

L Touch button

①: Light button description



ON/OFF —— Light memory function



RGB---Model Switching/ lights effect type Switching

②: Lighting Effect Note

Breathing model	The seven-color lights light and shade flicker alternately
Dynamic monochrome	Monochrome automatic switching display
Dazzling/Following model	The seven-color lights cycles present alternately

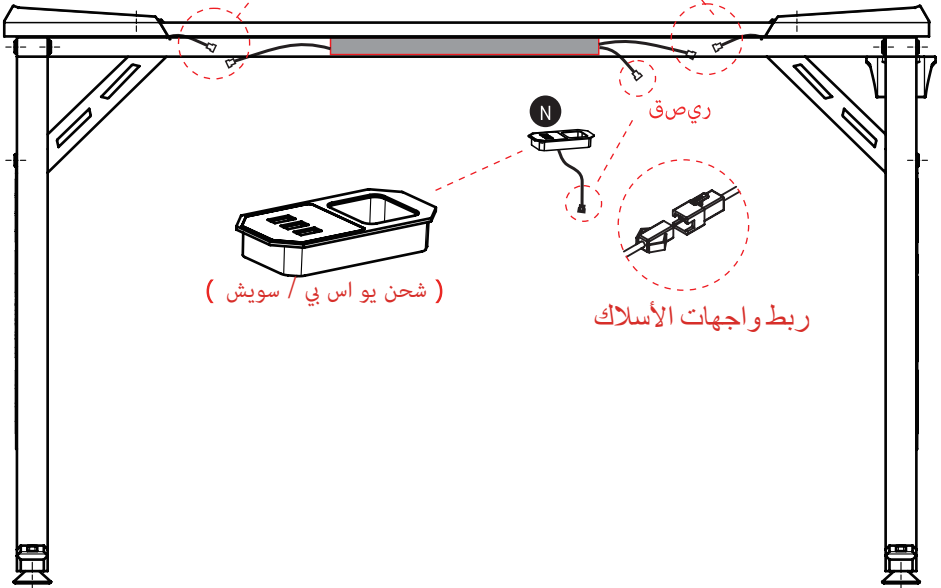
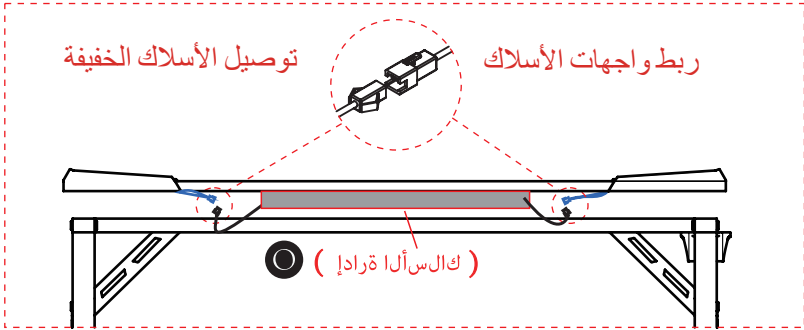
③: USB Charger



Insert the data cable and use it

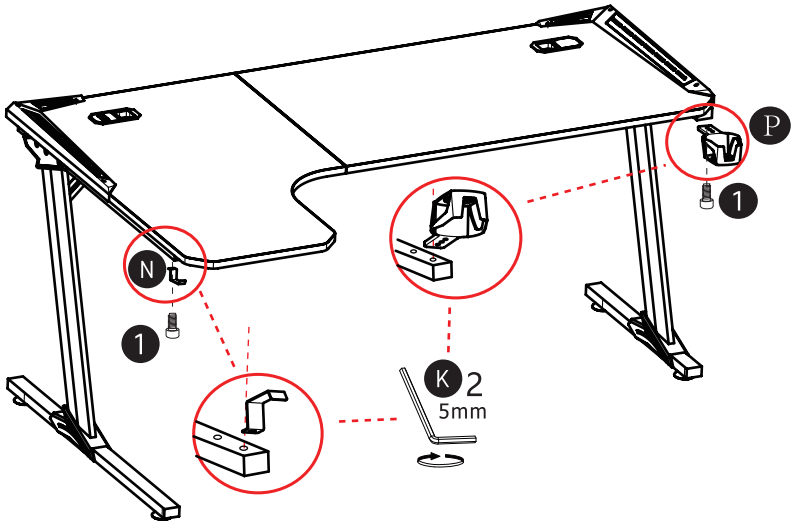
④: Wireless charging

Put the mobile phone that supports wireless charging on and use it

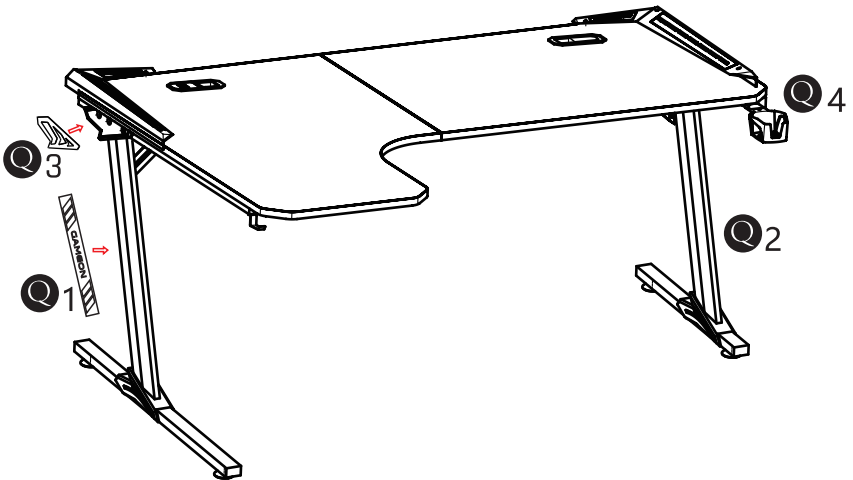


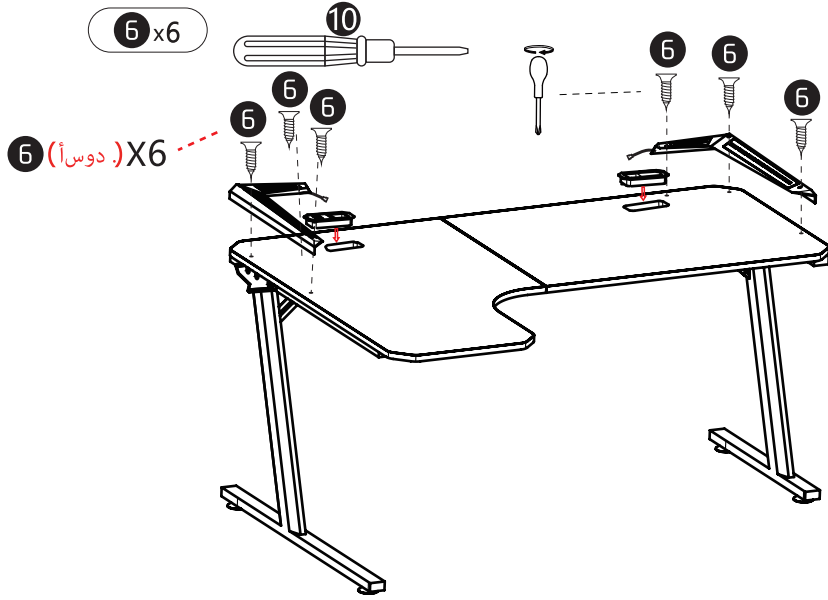
N x1 P x1 1 x2

الخطوة 8

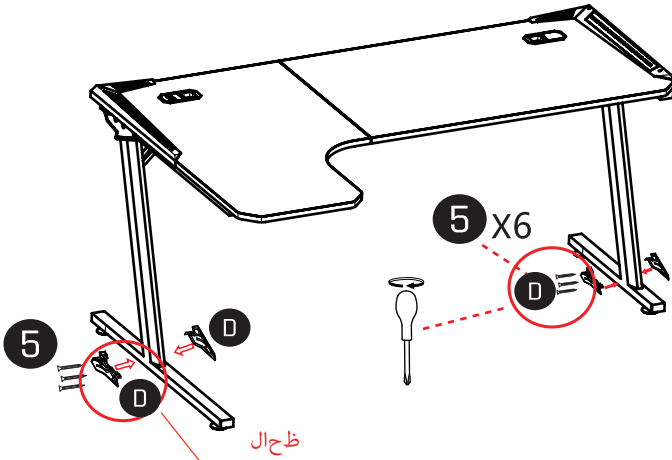


الخطوة 9

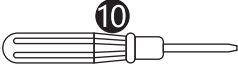




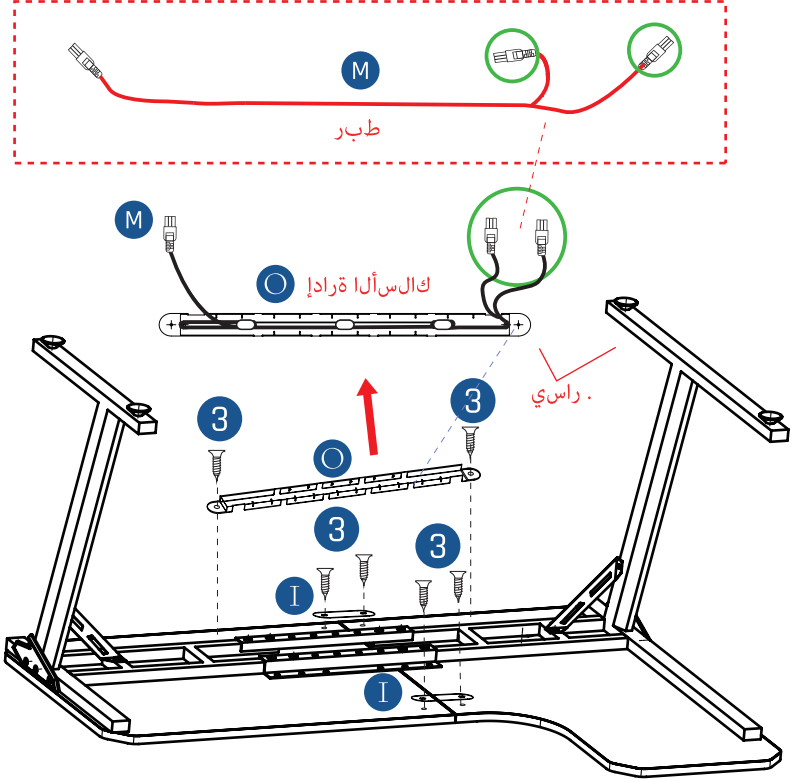
D x4 5 x6



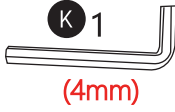
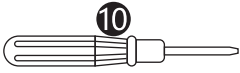
تنبيه: درع بيديك ، ثم شد البراغي بمفك البراغي



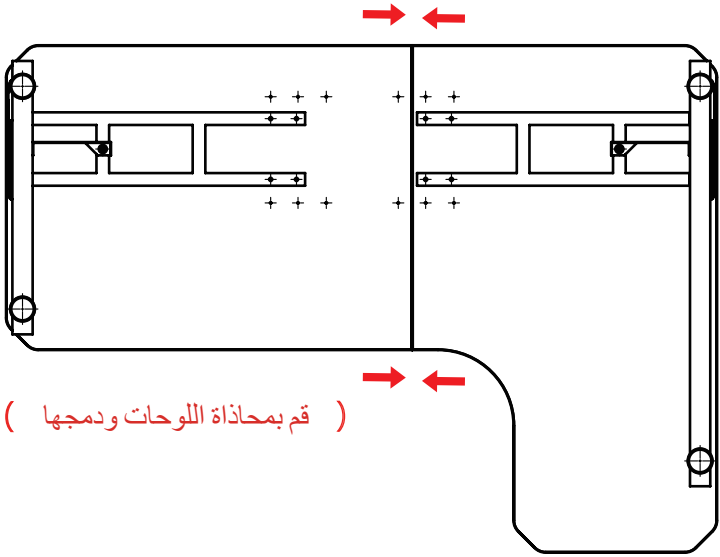
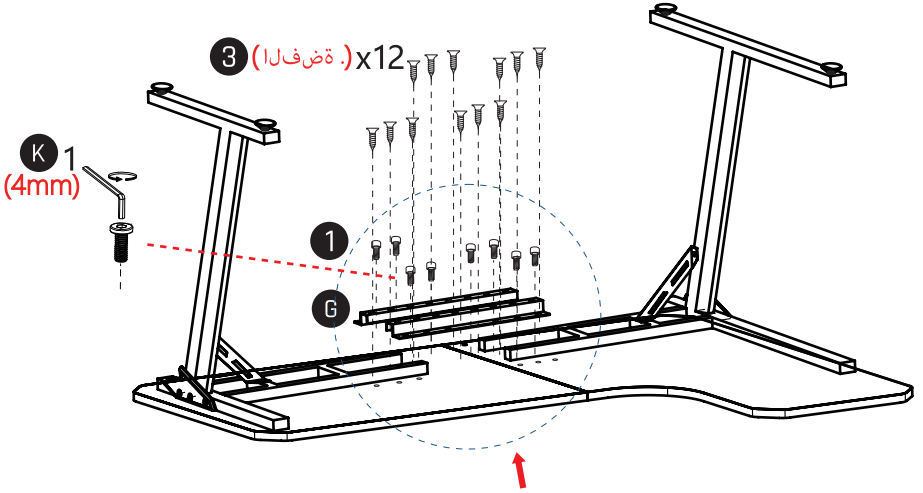
I x2 3 (ةضفل) x6 M x1 O x1



(انتبه إلى موضع ثقب المسامير)



G x2 3 (ةضفلا) x12 1 x8

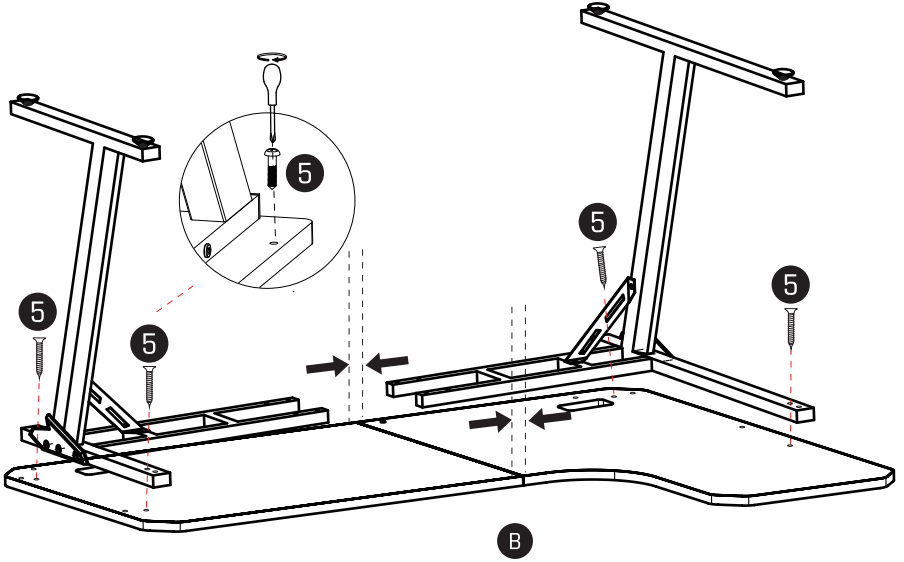


(قم بمحاذاة اللوحات ودمجها)

10

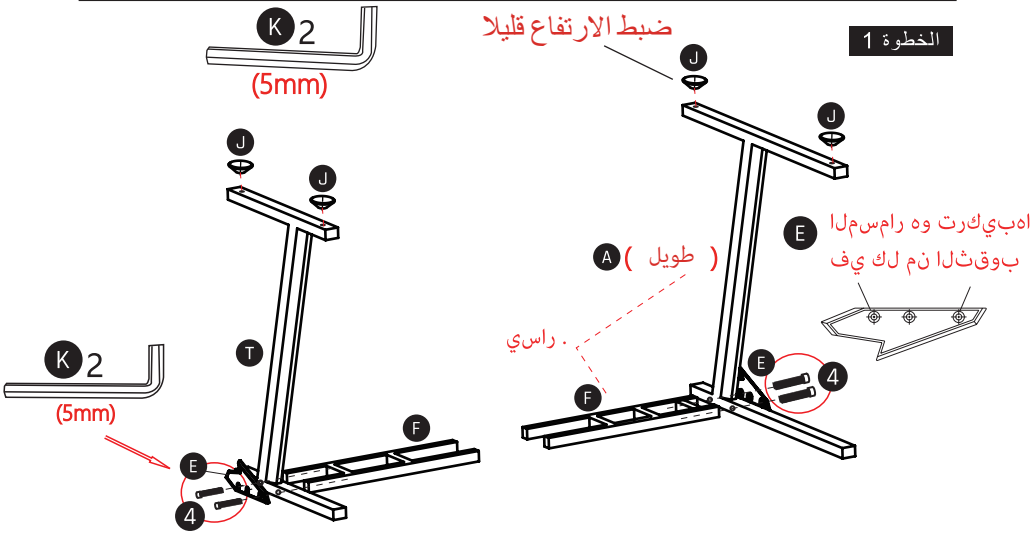


1x2 3x2 4x2 5x2

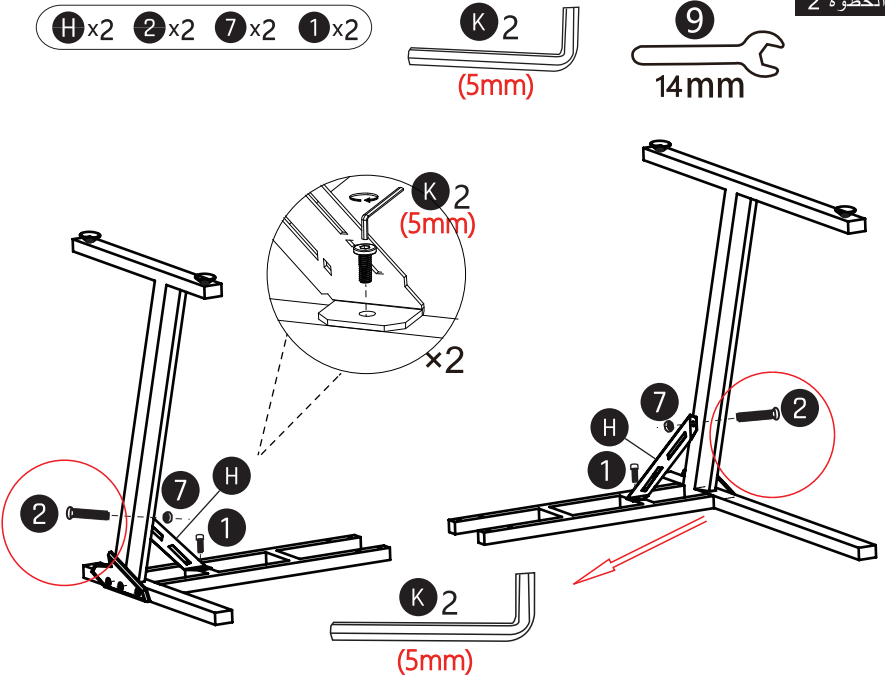


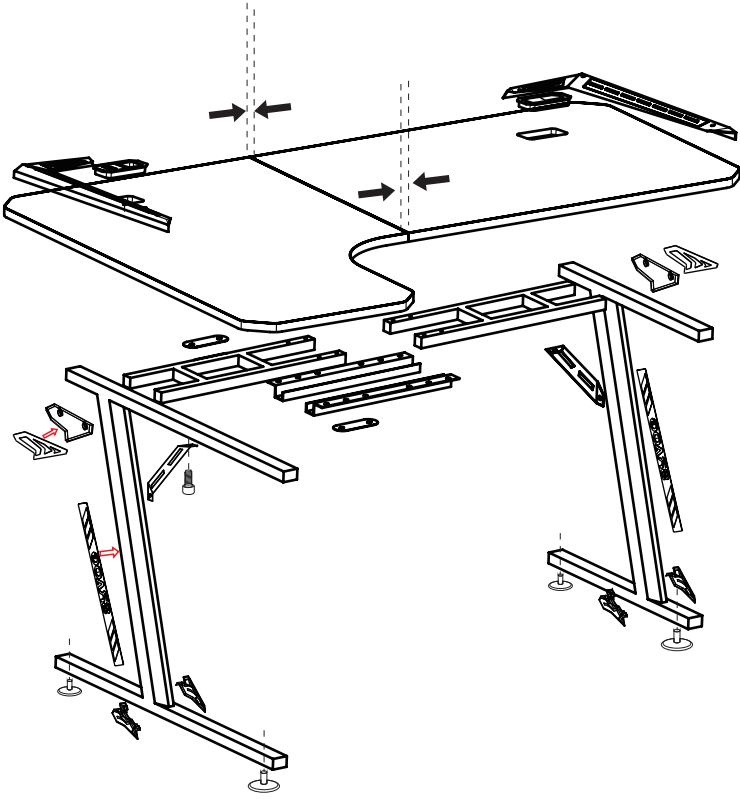
ضع بطانية تحت الارح لتجنب ذلك

الخطوة 1



الخطوة 2















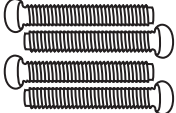
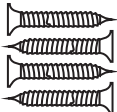


عقب على رأساً وضعها يتم. ومستوٍ صلب سطح على المكتب بتجميع قم: نصائح
إتلاف أو تلطيخ لتجنب قماش قطعة أو واقية حصيرة بوضع نوصي: التجميع لسهولة
الأخرى الأسطح أو الطاولة



ال دليل التجميع والتركيب

والادوات البراغي

<p>O</p>  <p>(كاس آل اقرادإ)</p>	<p>P</p> 	<p>Q1</p>  <p>Q2</p>  <p>Q3</p>  <p>Q4</p> 	<p>R</p>  <p>(شحن لاسلكي)</p>
--	---	---	---

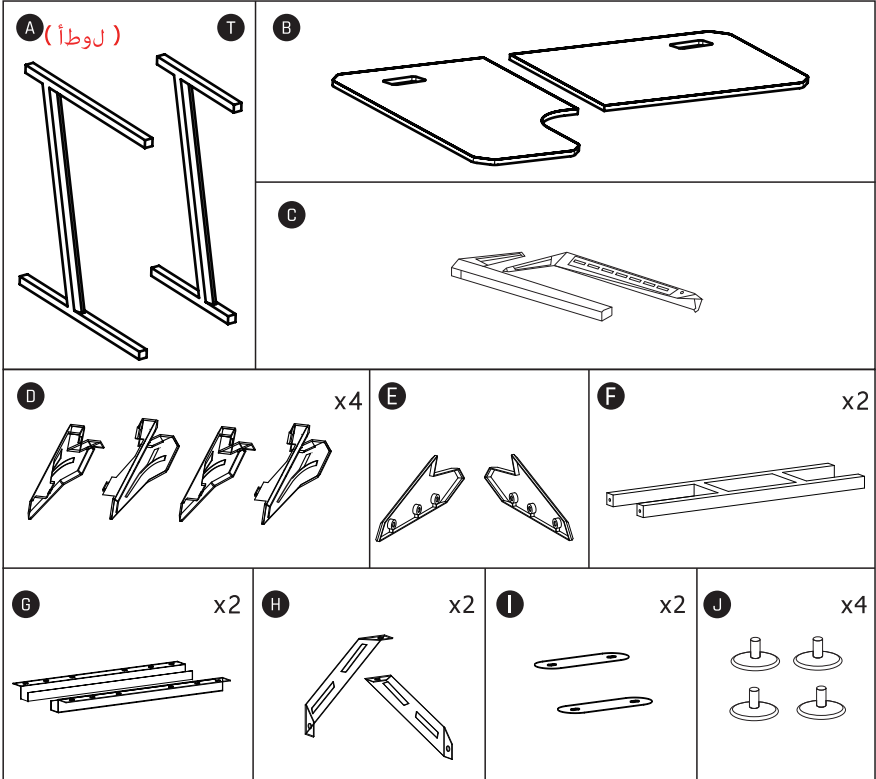
البراغي والادوات

<p>1</p>  <p>6x20mm</p> <p>x12</p>	<p>2</p>  <p>8x50mm</p> <p>x2</p>	<p>3</p>  <p>(ةققي قر ةح يرش)</p> <p>M4 X 16mm</p> <p>x23</p>	<p>4</p>  <p>6x50mm</p> <p>x4</p>
<p>5</p>  <p>M4 x 40mm</p> <p>x10</p>	<p>6</p>  <p>(. دوسا)</p> <p>M4 X 16mm</p> <p>x6</p>	<p>7</p>  <p>8mm</p> <p>x2</p>	

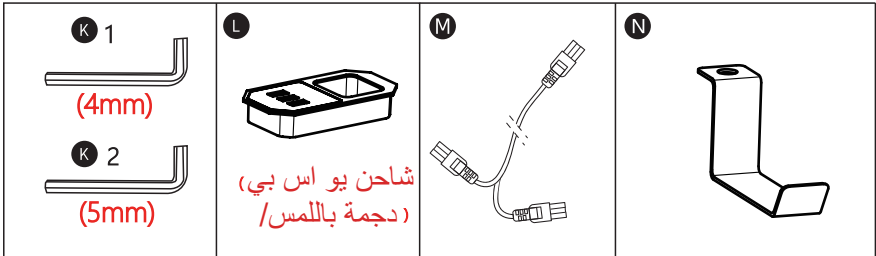
<p>9</p>  <p>14 mm</p>	<p>10</p>  <p>2 heart Screw-driver</p>
--	--

كانت إذا . الشكل في موضح هو كما الملحقات من التحقق يرجى ، المنتج استلام بعد) : نصائح

الوقت في بنا الاتصا يرجى ، مفقودة الملحقات



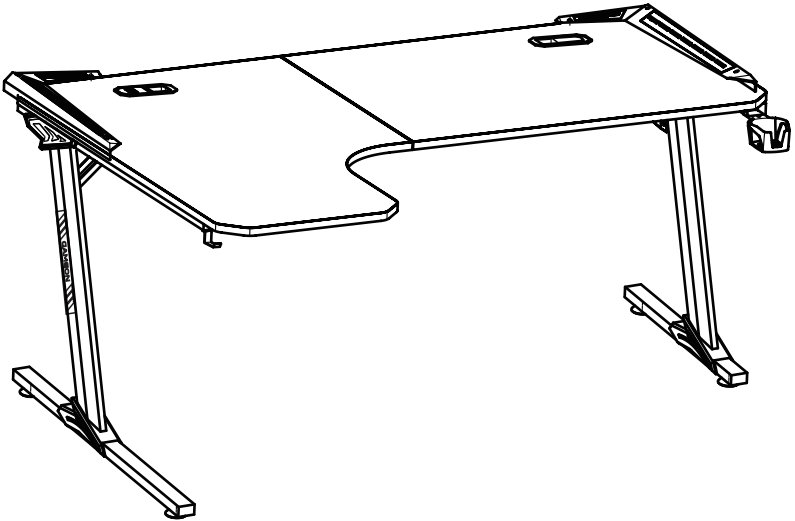
الملحقات





GAMEON
MADE BY GAMERS

GO-PHANTOMXL-L



CONTACT US
HEY@GAMEON.STORE

WWW.GAMEON.STORE



الألعاب طاولة

GO-PHANTOMXL-L



دليل المستخدم