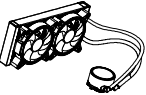







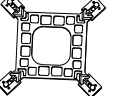
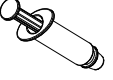



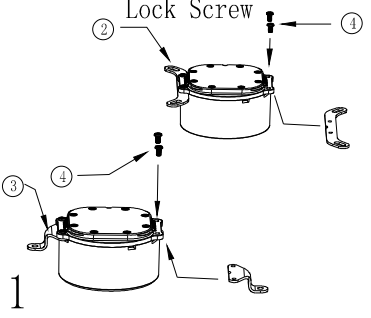
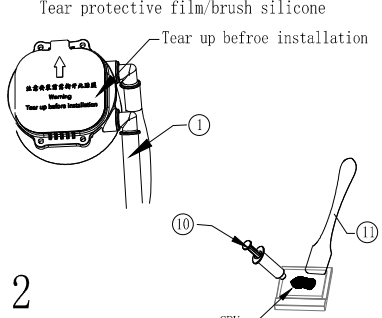
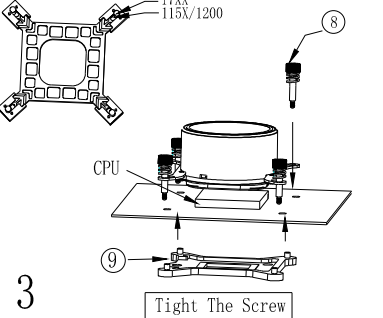
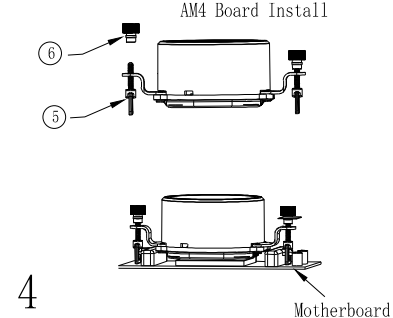
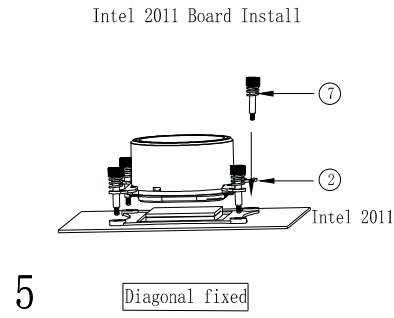


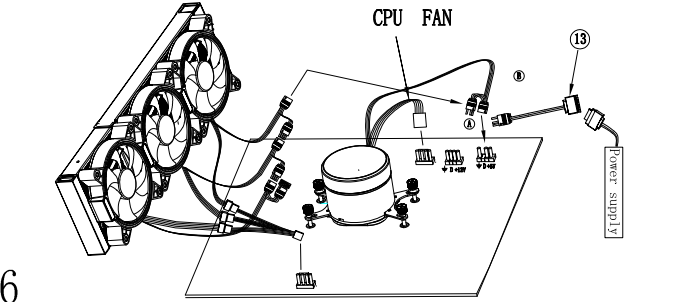

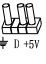


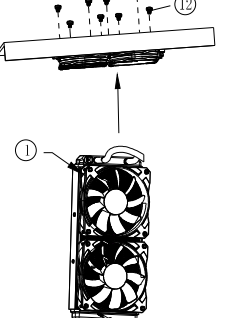


| | | | | | | |
|---|---|--|--|---|--|--|
| <p>①</p>  <p>RADIATOR 1 PCS</p> | <p>②</p>  <p>Intel BRACKET 2 PCS</p> | <p>③</p>  <p>AM4 BRACKET 2 PCS</p> | <p>④</p>  <p>BRACKET SCREWS 4 PCS</p> | <p>⑤</p>  <p>AM4 SCREW CLIP 2 PCS</p> | <p>⑥</p>  <p>AM4 THUMB SCREWS 2 PCS</p> | <p>⑦</p>  <p>Intel 2011 Screw 4 PCS</p> |
| <p>⑧</p>  <p>Intel Screw 4 PCS</p> | <p>⑨</p>  <p>BACKPLATE 1 PCS</p> | <p>⑩</p>  <p>Thermal Grease 1 PCS</p> | <p>⑪</p>  <p>Spoon 1 PCS</p> | <p>⑫</p>  <p>120MM water cooling:4PCS 240MM water cooling:8PCS 240MM water cooling:12PCS</p> | <p>⑬</p>  <p>LED cable</p> | |

Installation Guide

| | | | | |
|--|--|---|--|--|
| <p>① Lock Screw</p>  | <p>② Tear protective film/brush silicone</p> <p>Tear up before installation</p>  | <p>③ CPU</p>  <p>Tight The Screw</p> | <p>④ AM4 Board Install</p>  <p>Motherboard</p> | <p>⑤ Intel 2011 Board Install</p>  <p>Diagonal fixed</p> |
|--|--|---|--|--|

Installation Instructions

| | | |
|--|--|--|
| <p>⑥ CPU FAN</p>  | <p>⑦</p> <div style="border: 1px solid red; padding: 5px; display: inline-block;"> <p>* Don't put FAN 12V (4P)</p> </div> <p>  A ASUS 5V  B Gigabyte 5V Don't reverse pay attention to zhe positive and negative directions  C Others  Others </p> <p>* Just connect to one power supply method</p> | <p>⑧</p>  |
|--|--|--|