

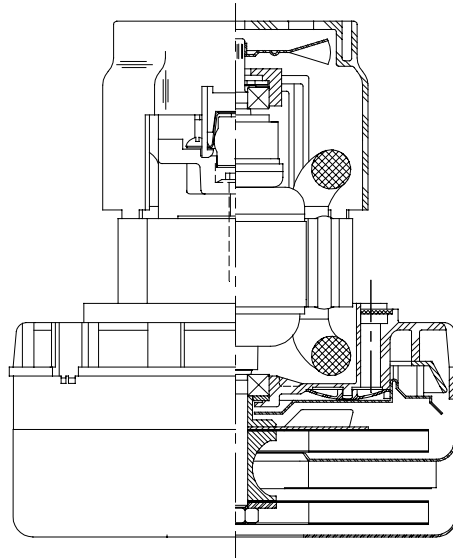


**DESCRIPTION**

- Two stage
- 120 volts
- 5.7"/145 mm diameter
- Double ball bearings
- Single speed
- ACUSTEK® low-noise peripheral bypass discharge
- Thermoset fan end bracket
- Aluminum commutator bracket

**DESIGN APPLICATION**

- Equipment operating in environments requiring separation of working air from motor ventilating air
- Designed to handle clean air only

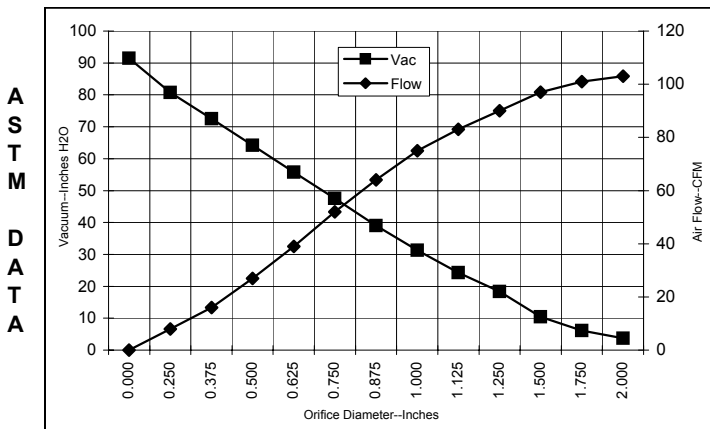


**SPECIAL FEATURES**

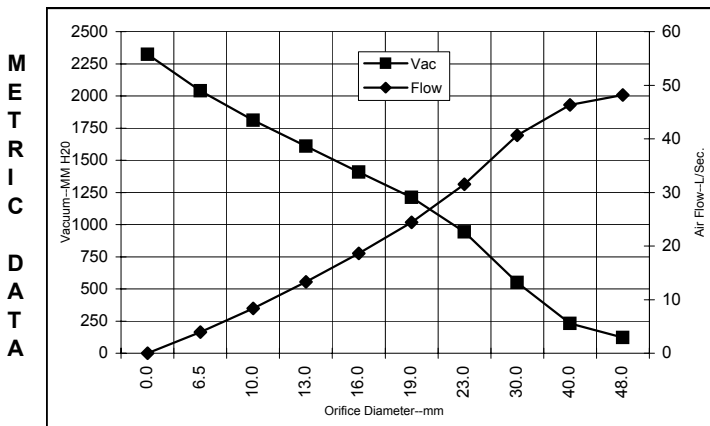
- Suitable for 120 volt AC operation 50/60 Hz
- UL recognized, category PRGY2 (E47185)
- CSA certified, class 1611 01 (LR31393)
- Provision for grounding
- Epoxy painted fan case
- Patented air seal bearing construction. U.S. Patent #4,088,424
- ACUSTEK® low noise design, U.S. Patent #1,417,2000
- The Lamb Electric vacuum motor line offers a wide range of performance levels to meet design needs

**TYPICAL MOTOR PERFORMANCE.\***

(At 120 volts, 60Hz, test data is corrected to standard conditions of 29.92 Hg, 68° F.)



Orifice (Inches)	Amps	Watts (In)	RPM	Vac (In.H <sub>2</sub> O)	Flow (CFM)	Air Watts
2.000	8.9	1024	18563	3.7	103.0	44
1.750	9.0	1030	18498	6.1	101.0	73
1.500	9.1	1038	18375	10.4	97.0	118
1.250	9.1	1048	18286	18.4	90.0	193
1.125	9.2	1049	18244	24.3	83.0	238
1.000	9.1	1039	18319	31.3	75.0	274
0.875	8.9	1019	18508	39.0	64.0	293
0.750	8.5	980	18935	47.5	52.0	289
0.625	8.0	924	19583	55.8	39.0	256
0.500	7.4	858	20454	64.2	27.0	201
0.375	6.7	784	21474	72.5	16.0	136
0.250	6.1	717	22530	80.7	8.0	71
0.000	5.6	665	23436	91.5	0.0	0



Orifice (mm)	Amps	Watts (In)	RPM	Vac (mm H <sub>2</sub> O)	Flow (L/Sec)	Air Watts
48.0	8.9	1027	18534	121	48.2	57
40.0	9.1	1036	18412	231	46.4	105
30.0	9.2	1049	18263	550	40.7	218
23.0	9.0	1024	18461	942	31.5	288
19.0	8.5	979	18948	1211	24.4	288
16.0	8.0	926	19557	1409	18.7	257
13.0	7.5	865	20367	1609	13.3	207
10.0	6.8	795	21321	1810	8.3	146
6.5	6.1	720	22477	2039	4.0	74
0.0	5.6	665	23436	2324	0.0	0

Note: Metric performance data is calculated from the ASTM data above.

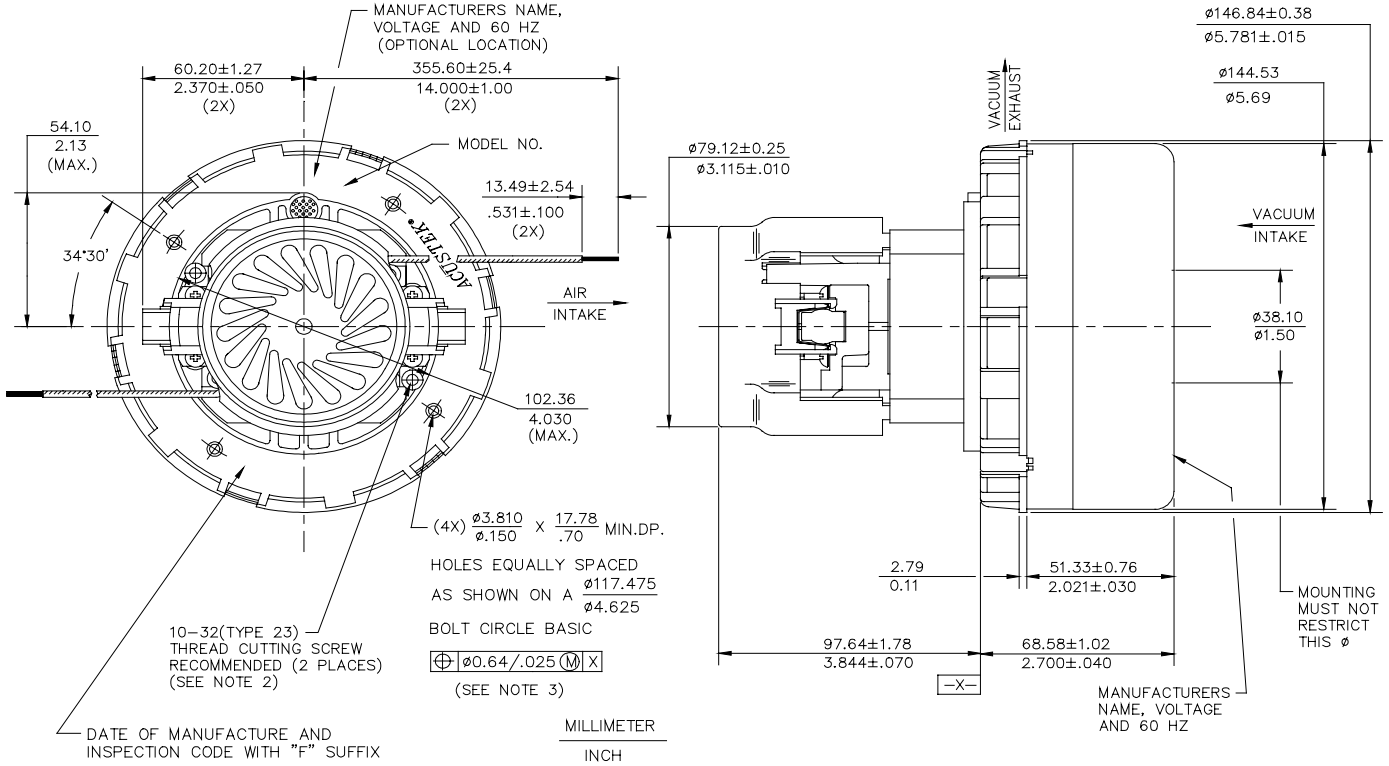
\* Data represents performance of a typical motor sampled from a large production quantity. Individual motor data may vary due to normal manufacturing variations.

<b>Test Specs:</b>	120 volts	<b>Minimum Sealed Vacuum:</b>	86.0"	<b>ORIFICE:</b>	7/8 "	<b>Minimum Vacuum:</b>	36.0"	<b>Maximum Watts:</b>	1150
--------------------	-----------	-------------------------------	-------	-----------------	-------	------------------------	-------	-----------------------	------

**DIMENSIONS**

NOTES:

1. LEADS: 18 GA STRANDED, LEADS CAN BE ANY COLOR EXCEPT GREEN OR GREEN WITH YELLOW STRIPE.
2. GROUNDING OR EARTHING PROVISIONS: USE HOLES AS INDICATED FOR GROUNDING OR EARTHING. REFER TO APPROPRIATE LISTING OR REGULATORY AGENCY FOR PROPER METHOD OF GROUNDING OR EARTHING.
3. RECOMMENDED SCREW SIZE 10-16 TYPE BT OR 25 THREAD CUTTING SCREW. MAXIMUM PENETRATION 17.40/.685.



**IMPORTANT NOTE:** Pictorial and dimensional data are subject to change without notice. Contact factory for current revision levels.

**WARNING** - When using AMETEK Lamb Electric bypass motors in machines that come in contact with foam, liquid (including water), or other foreign substances, the machine must be designed and constructed to prevent those substances from reaching the fan system, motor housing, and electrical components. Lamb Electric vacuum motors other than hazardous duty models should not be applied in machines that come in contact with dry chemicals or other volatile materials. Failure to observe these precautions could cause flashing (depending on volatility) or electrical shock which could result in property damage and severe bodily injury, including death in extreme cases. All applications incorporating Lamb Electric motors should be submitted to appropriate organizations or agencies for testing specifically related to the safety of your equipment.

**AMETEK/Lamb Electric Division**  
 627 Lake Street  
 Kent, Ohio 44240  
 U.S.A.  
 Tel: (330) 673-3451  
 Fax: (330) 673-8994

**Ametek GmbH**  
 P. O. Box 1251  
 D-71667 Marbach  
 Germany  
 Phone: + 49-714-484-9512  
 Fax: + 49-714-484-9513

**AMETEK/Singapore Private Limited**  
 10 Ang Mo Kio Street 65  
 # 05-12 Techpoint  
 Singapore 2056  
 Tel: + 65-484-2388  
 Fax: + 65-481-6588