



LONDON

## HEADBOARD

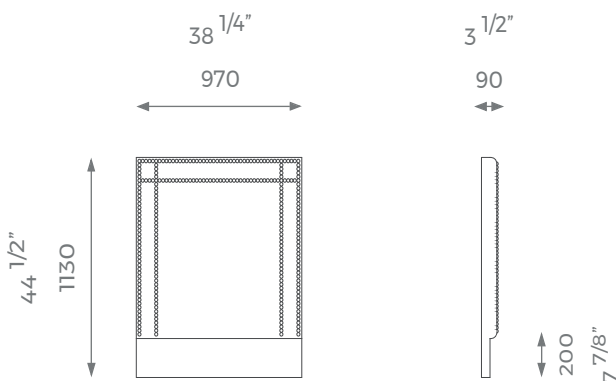
# Vegas

The Vegas headboard boasts intricate crossing studding rows and can be upholstered in a variety of fabrics. Available in a range of sizes.



## SINGLE

ST-01-HB-07-S



## DETAILS

- Vertical and horizontal crossing studding rows.
- 10 years construction guarantee (for further information please contact our sales team).

## BESPOKE

This piece has an array of customization options, you can order a CAD technical drawing (additional cost) or/and give property access for fine measuring checks to ensure maximum precision on your bespoke order.

For further questions feel free to contact our sales team and with the help of our experts we help you solve all your questions.



PLAIN  
2 m



PATTERN/VELVET  
3 m



LEATHER  
4 sqm



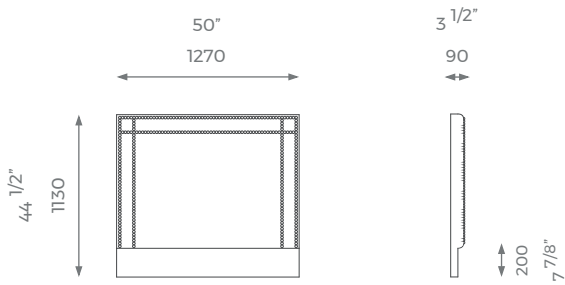
MATTRESS  
1.9 m x 0.9 m



LONDON

### SMALL DOUBLE

ST-01-HB-07-SD



PLAIN  
2.5 m



PATTERN/VELVET  
3.5 m



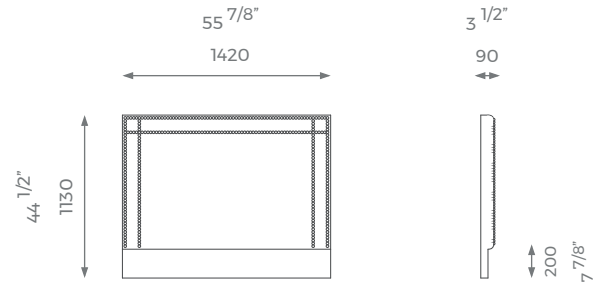
LEATHER  
4.5 sqm



MATTRESS  
1.9 m x 1.2 m

### DOUBLE

ST-01-HB-07-D



PLAIN  
3 m



PATTERN/VELVET  
4 m



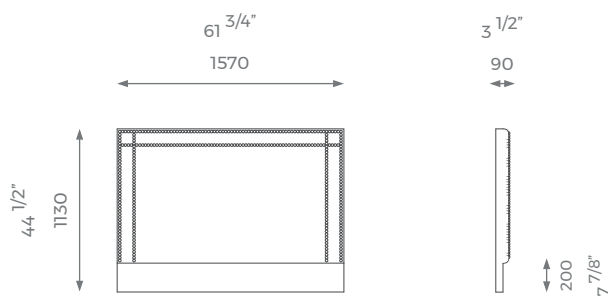
LEATHER  
5.5 sqm



MATTRESS  
1.9 m x 1.35 m

### KING

ST-01-HB-07-K



PLAIN  
3.5 m



PATTERN/VELVET  
4.5 m



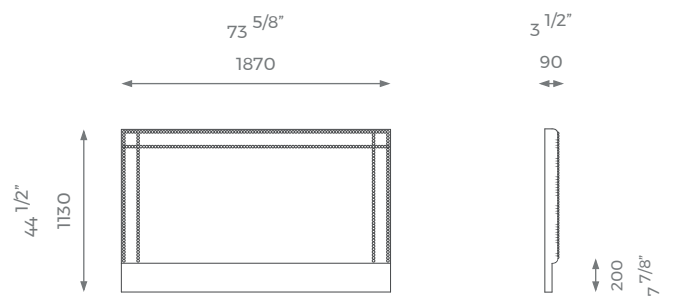
LEATHER  
6 sqm



MATTRESS  
2 m x 1.5 m

### SUPER KING

ST-01-HB-07-SK



PLAIN  
4 m



PATTERN/VELVET  
5.5 m



LEATHER  
7 sqm



MATTRESS  
2 m x 1.8 m