

OTTOMAN

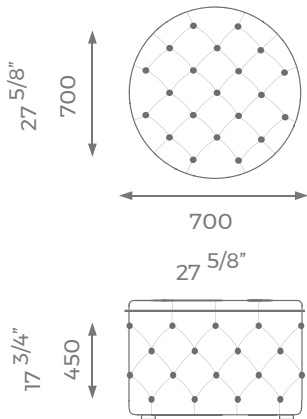
Picadilly

Nothing says quality quite hand-crafted deep buttoning upholstery, and the presence of this ottoman can make it a feature point in any room. The Picadilly has a piping detail along the top edge and befits either a lustrous fabric or leather. Available in various sizes.



SMALL

ST-01-TT-04-S



DETAILS

- Pulled deep buttoning on all sides.
- 10 years construction guarantee (for further information please contact our sales team).

BESPOKE

This piece has an array of customization options, you can order a CAD technical drawing (additional cost) or/and give property access for fine measuring checks to ensure maximum precision on your bespoke order.

For further questions feel free to contact our sales team and with the help of our experts we help you solve all your questions.



PLAIN
2,5 m



PATTERN/VELVET
3,5 m



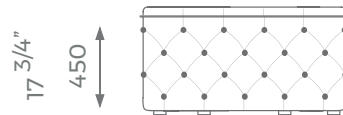
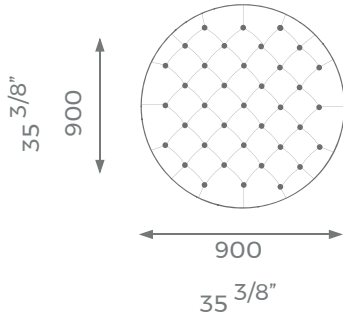
LEATHER
4 sq m



LONDON

MEDIUM

ST-01-TT-04-M



PLAIN
3.5 m



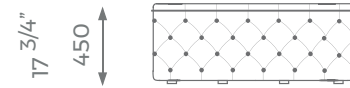
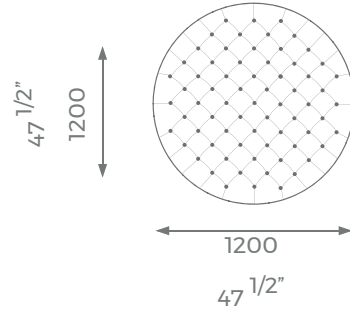
PATTERN/VELVET
4.5 m



LEATHER
5 sq m

LARGE

ST-01-TT-04-L



PLAIN
5.5 m



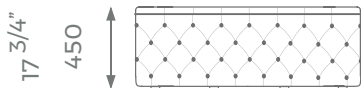
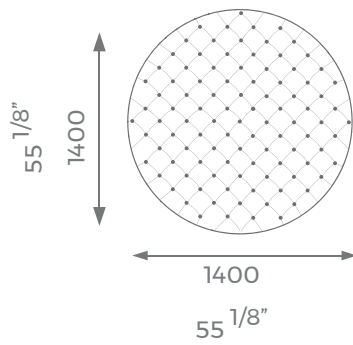
PATTERN/VELVET
6.5 m



LEATHER
7 sq m

EXTRA LARGE

ST-01-TT-04-XL



PLAIN
6.5 m



PATTERN/VELVET
7.5 m



LEATHER
8 sq m