

MODULAR SOFA

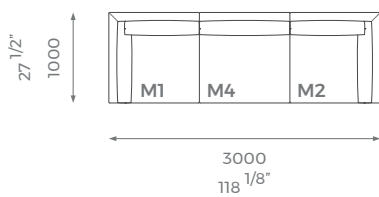
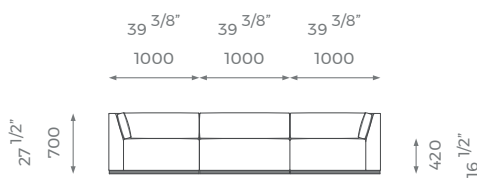
Northampton



A stylish addition to our modular range, the Northampton sofa is versatile and can be adapted to a wide range of configurations. The backrest and inside arms are filled with foam-wrapped feather and down and so are the side and back cushions, added to take an already comfortable seating experience to the next level.

COMPOSITION 1

ST-01-MS-05-C1



DETAILS

- Wooden plinth.
- 10 years construction guarantee (for further information please contact our sales team).

BESPOKE

This piece has an array of customization options, you can order a CAD technical drawing (additional cost) or/and give property access for fine measuring checks to ensure maximum precision on your bespoke order.

For further questions feel free to contact our sales team and with the help of our experts we help you solve all your questions.



PLAIN
16.5 m



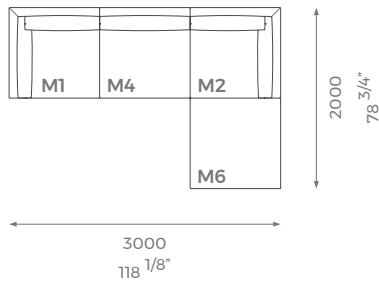
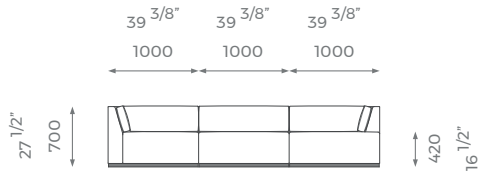
PATTERN/VELVET
19.6 m



LEATHER
22.6 sqm

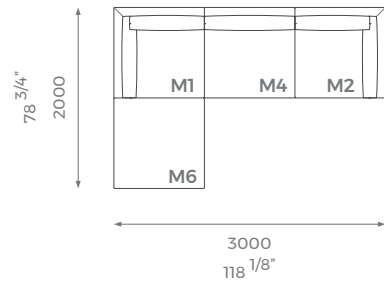
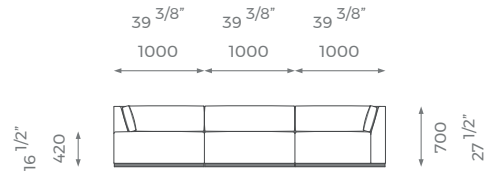
COMPOSITION 2 (RIGHT)

ST-01-MS-05-C2R



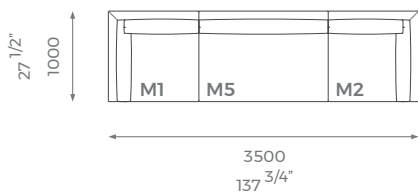
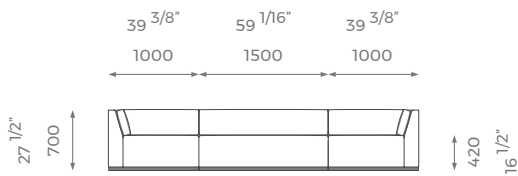
COMPOSITION 2 (LEFT)

ST-01-MS-05-C2L



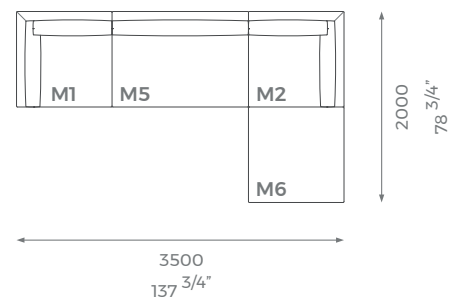
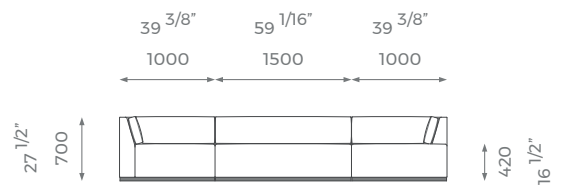
COMPOSITION 3

ST-01-MS-05-C3



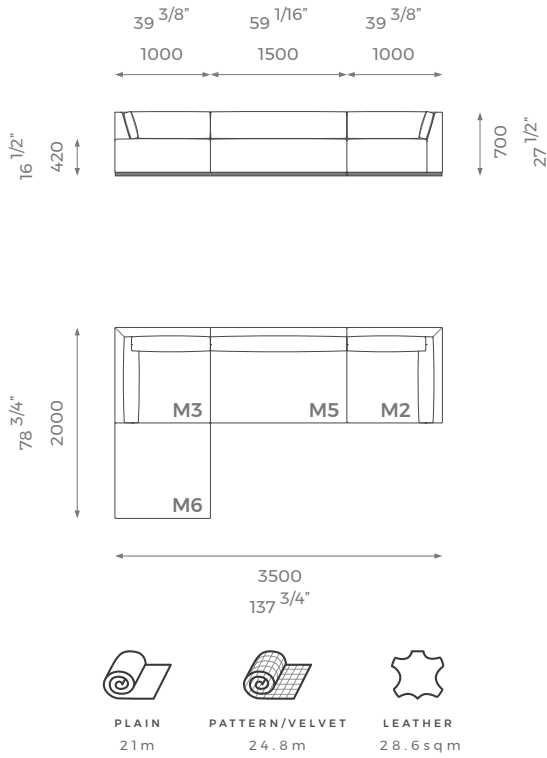
COMPOSITION 4 (RIGHT)

ST-01-MS-05-C4R



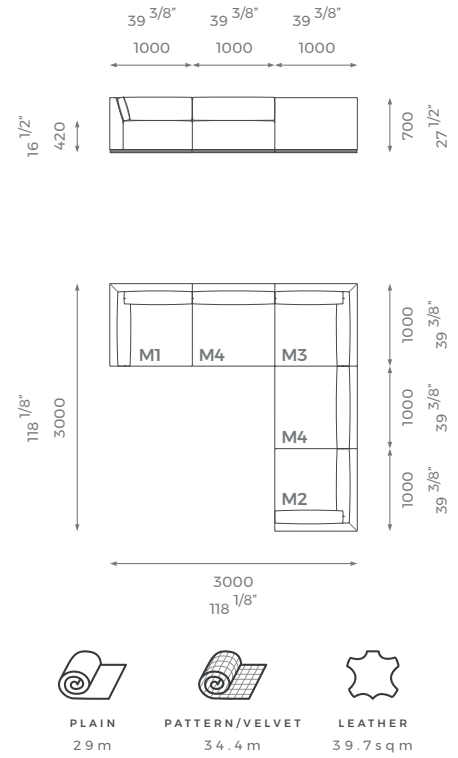
COMPOSITION 4 (LEFT)

ST-01-MS-05-C4L



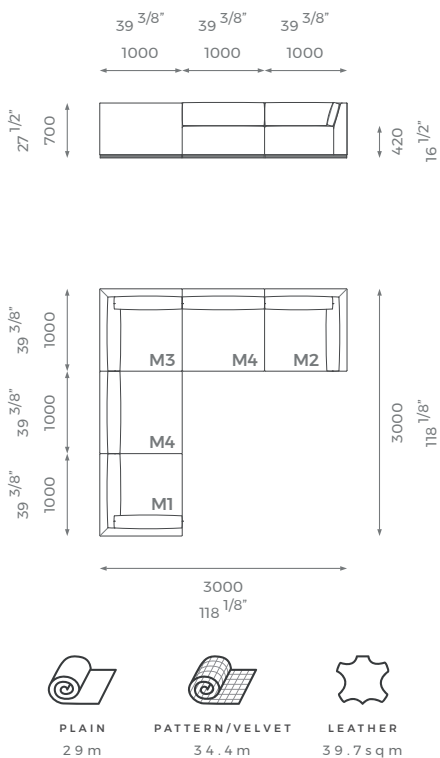
COMPOSITION 5 (RIGHT)

ST-01-MS-05-C5R



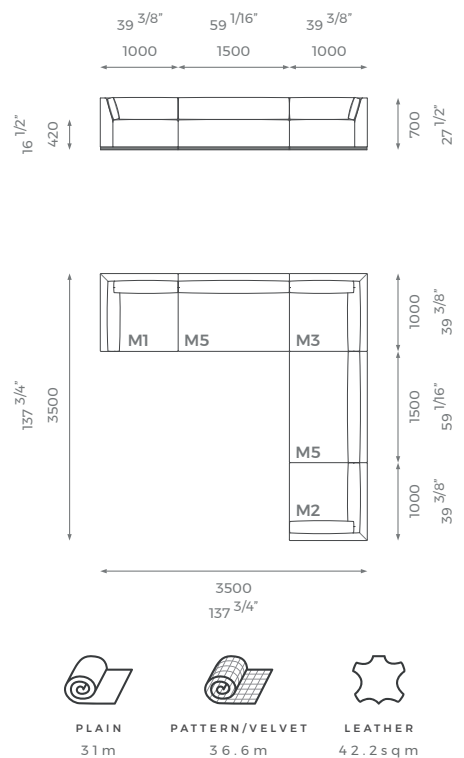
COMPOSITION 5 (LEFT)

ST-01-MS-05-C5L



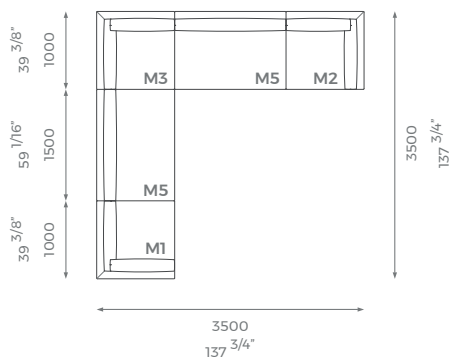
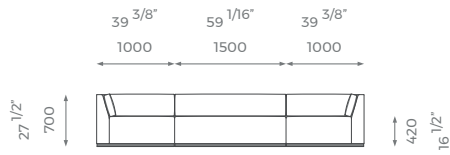
COMPOSITION 6 (RIGHT)

ST-01-MS-05-C6R



COMPOSITION 6 (LEFT)

ST-01-MS-05-C6L



PLAIN
31m



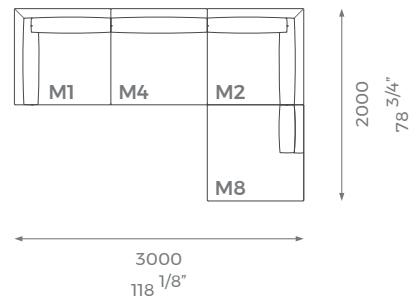
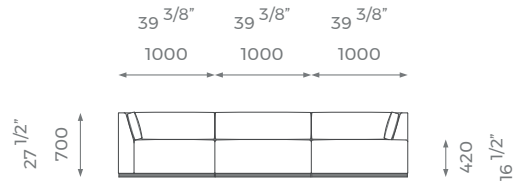
PATTERN/VELVET
36.6m



LEATHER
42.2sqm

COMPOSITION 7 (RIGHT)

ST-01-MS-05-C7R



PLAIN
22m



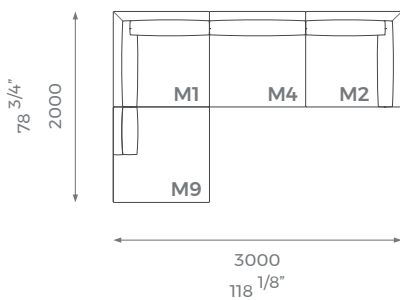
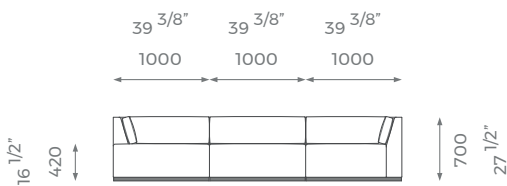
PATTERN/VELVET
25m



LEATHER
29sqm

COMPOSITION 7 (LEFT)

ST-01-MS-05-C7L



PLAIN
22m



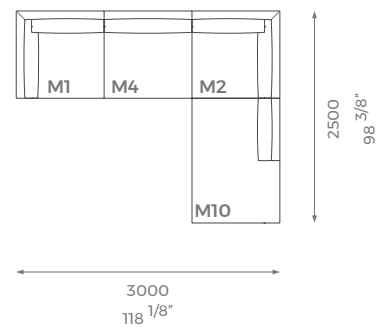
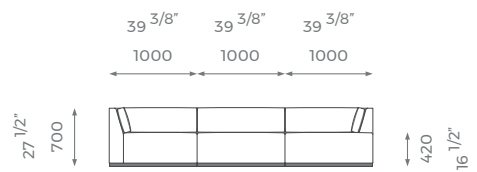
PATTERN/VELVET
25m



LEATHER
29sqm

COMPOSITION 8 (RIGHT)

ST-01-MS-05-C8R



PLAIN
23m



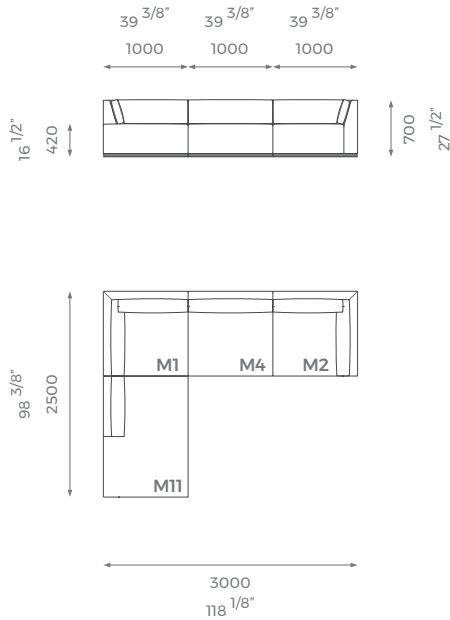
PATTERN/VELVET
28m



LEATHER
32sqm

COMPOSITION 8 (LEFT)

ST-01-MS-05-C8L



PLAIN
23 m



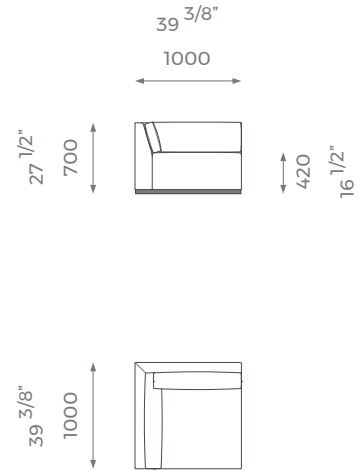
PATTERN/VELVET
28 m



LEATHER
32 sq m

MODULE 1

ST-01-MS-05-M1



PLAIN
6 m



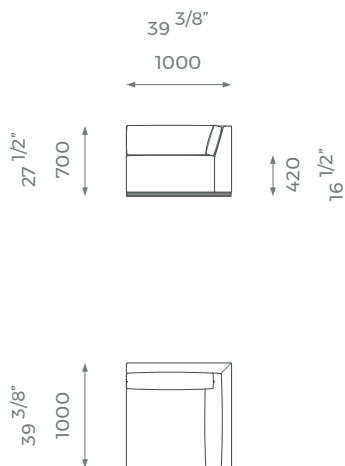
PATTERN/VELVET
7 m



LEATHER
8 sq m

MODULE 2

ST-01-MS-05-M2



PLAIN
6 m



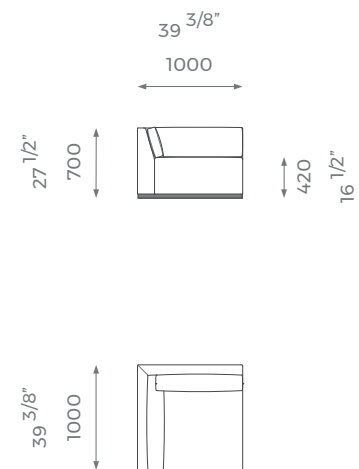
PATTERN/VELVET
7 m



LEATHER
8 sq m

MODULE 3

ST-01-MS-05-M3



PLAIN
6 m



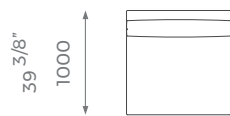
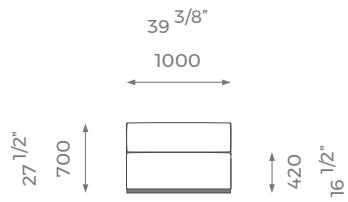
PATTERN/VELVET
7 m



LEATHER
8 sq m

MODULE 4

ST-01-MS-05-M4



PLAIN
4.5 m



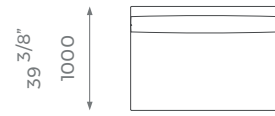
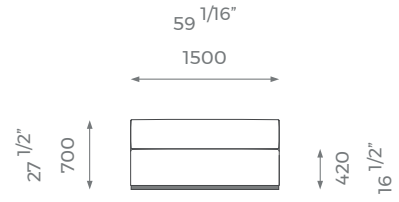
PATTERN/VELVET
5.6 m



LEATHER
6.6 sq m

MODULE 5

ST-01-MS-05-M5



PLAIN
6.5 m



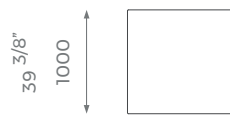
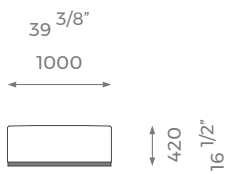
PATTERN/VELVET
7.8 m



LEATHER
9.1 sq m

MODULE 6

ST-01-MS-05-M6



PLAIN
2.5 m



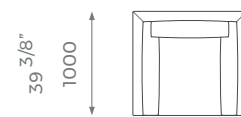
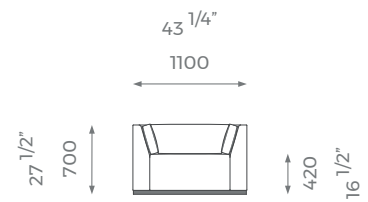
PATTERN/VELVET
3 m



LEATHER
3.5 sq m

MODULE 7

ST-01-MS-05-M7



PLAIN
6.5 m



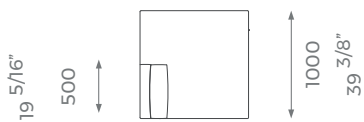
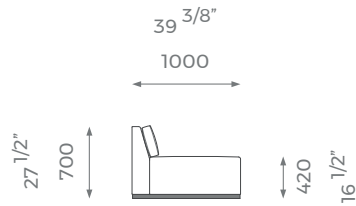
PATTERN/VELVET
7.8 m



LEATHER
9.1 sq m

MODULE 8

ST-01-MS-05-M8



PLAIN
4.5 m



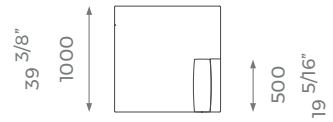
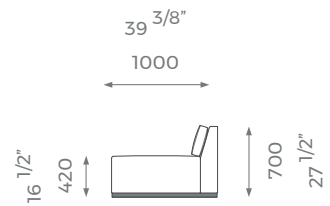
PATTERN/VELVET
5.6 m



LEATHER
6.6 sq m

MODULE 9

ST-01-MS-05-M9



PLAIN
4.5 m



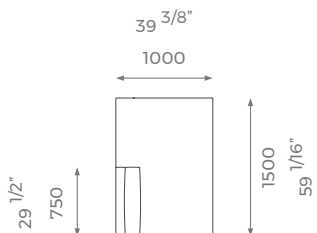
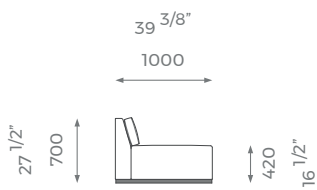
PATTERN/VELVET
5.6 m



LEATHER
6.6 sq m

MODULE 10

ST-01-MS-05-M10



PLAIN
6.5 m



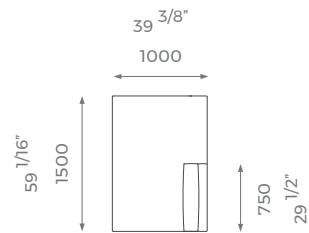
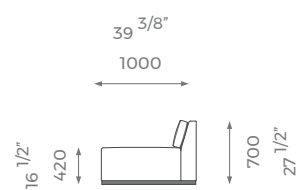
PATTERN/VELVET
7.8 m



LEATHER
9.1 sq m

MODULE 11

ST-01-MS-05-M11



PLAIN
6.5 m



PATTERN/VELVET
7.8 m



LEATHER
9.1 sq m