



LONDON

CORNER SOFA

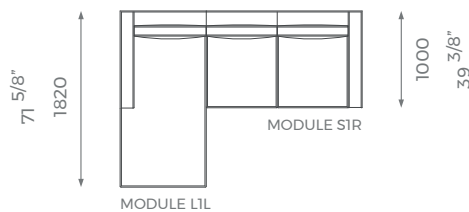
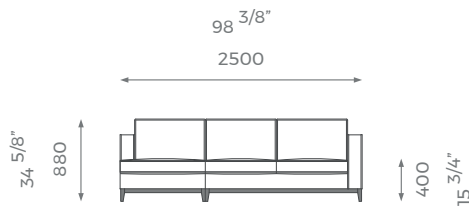
# Kingston

The Kingston Corner sofa makes a luxurious yet comfortable addition to your room. The foam-wrapped feather and down seat and back cushions provide a supreme seating experience, while the show-wood plinth embellishes this stunning design.



COMPOSITION 01 (LEFT)

ST-01-CO-05-C1L



PLAIN  
20.5 m



PATTERN/VELVET  
24.6 m



LEATHER  
28.7 sq m

DETAILS

- Seat cushion has foam wrapped feather filling.
- Wooden legs.
- 10 years construction guarantee (for further information please contact our sales team).

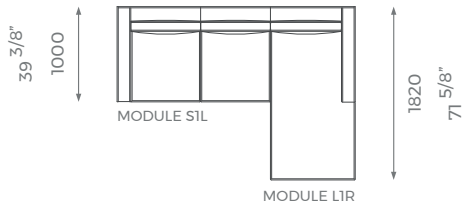
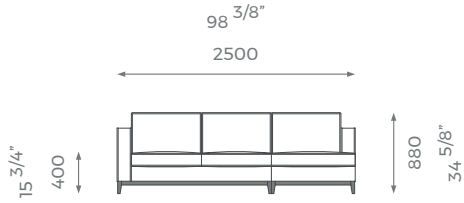
BESPOKE

This piece has an array of customization options, you can order a CAD technical drawing (additional cost) or/and give property access for fine measuring checks to ensure maximum precision on your bespoke order.

For further questions feel free to contact our sales team and with the help of our experts we help you solve all your questions.

**COMPOSITION 01 (RIGHT)**

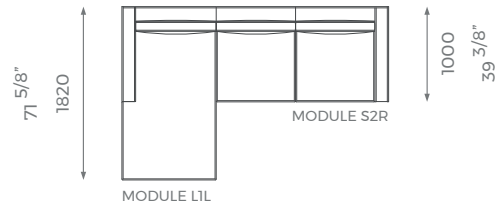
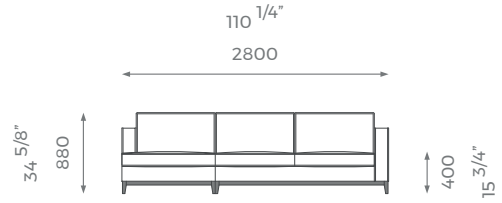
ST-01-CO-05-C1R



- PLAIN**  
 20.5 m
- PATTERN/VELVET**  
 24.6 m
- LEATHER**  
 28.7 sq m

**COMPOSITION 02 (LEFT)**

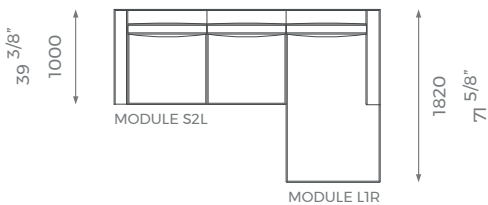
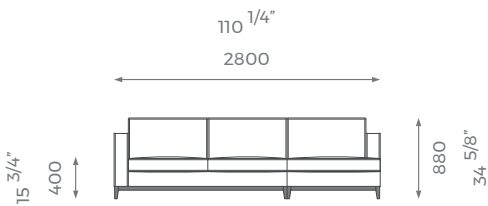
ST-01-CO-05-C2L



- PLAIN**  
 2.2 m
- PATTERN/VELVET**  
 27.6 m
- LEATHER**  
 32.2 sq m

**COMPOSITION 02 (RIGHT)**

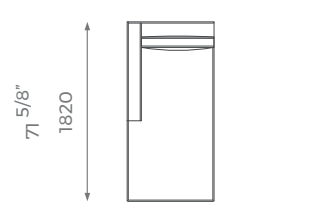
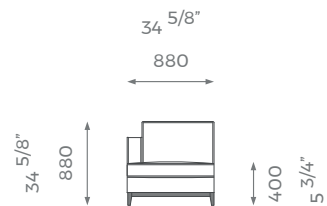
ST-01-CO-05-C2R



- PLAIN**  
 2.2 m
- PATTERN/VELVET**  
 26.4 m
- LEATHER**  
 30.8 sq m

**MODULE L1L**

ST-01-CO-05-L1L



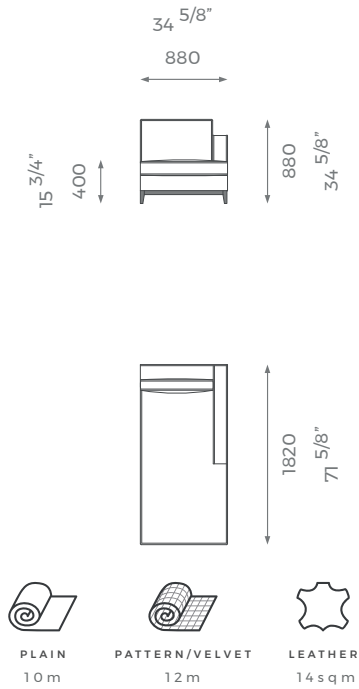
- PLAIN**  
 10 m
- PATTERN/VELVET**  
 12 m
- LEATHER**  
 14 sq m



LONDON

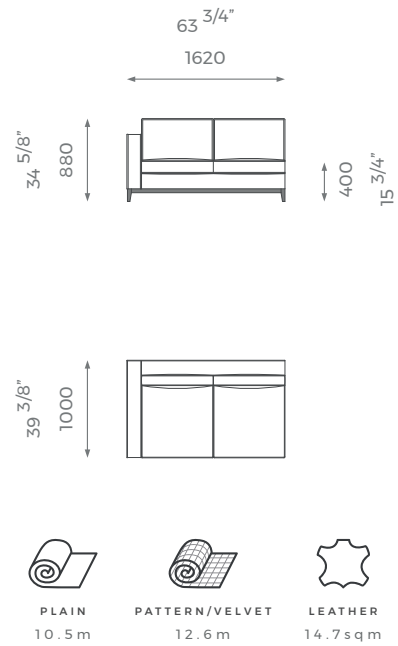
### MODULE L1R

ST-01-CO-05-L1R



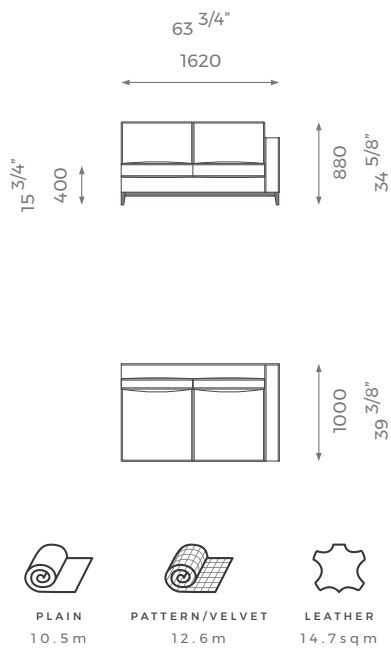
### MODULE S1L

ST-01-CO-05-S1L



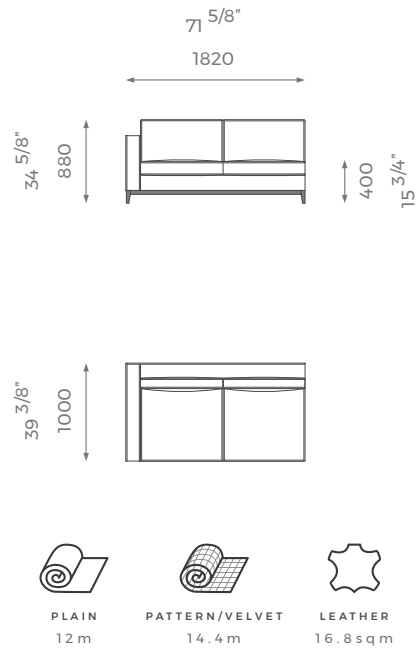
### MODULE S1R

ST-01-CO-05-S1R



### MODULE S2L

ST-01-CO-05-S2L

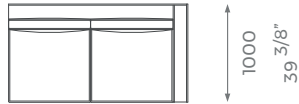
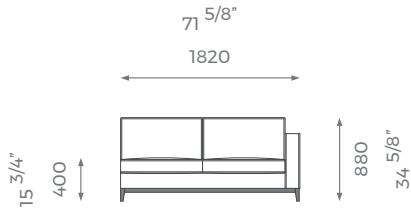




LONDON

## MODULE S2R

ST-01-CO-05-S2R



PLAIN  
12 m



PATTERN/VELVET  
14.4 m



LEATHER  
16.8 sq m