



LONDON



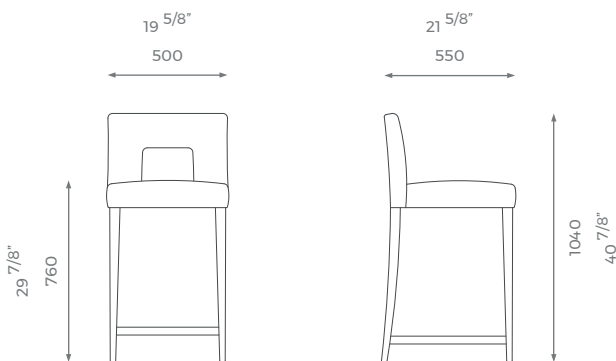
BAR STOOL

Blake

The clean lines and sleek design of the Blake bar stool make this a perfect choice for the domestic and commercial décor. Blake come with a padded sprung seat and back. The piece has a distinctive look, featuring a elegant show wood finish and a metal bar detail in the feet rest.

HIGH

ST-01-BS-05-H



DETAILS

- Wooden legs.
- Metal bar on top of the frontal wood piece.
- 10 years construction guarantee (for further information please contact our sales team).

BESPOKE

This piece has an array of customization options, you can order a CAD technical drawing (additional cost) or/and give property access for fine measuring checks to ensure maximum precision on your bespoke order.

For further questions feel free to contact our sales team and with the help of our experts we help you solve all your questions.



PLAIN
1.5 m



PATTERN/VELVET
1.8 m



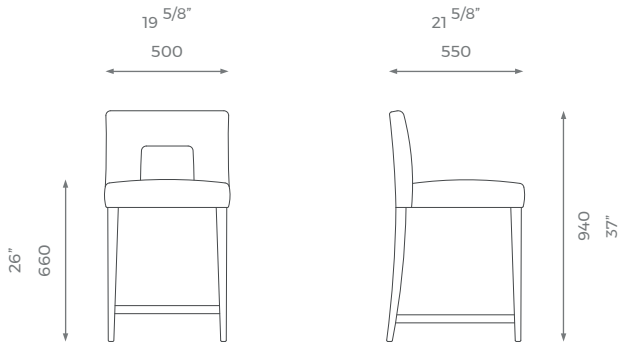
LEATHER
2.5 sq m



LONDON

LOW

ST-01-BS-05-L



PLAIN
1.5 m



PATTERN/VELVET
1.8 m



LEATHER
2.5 sq m