

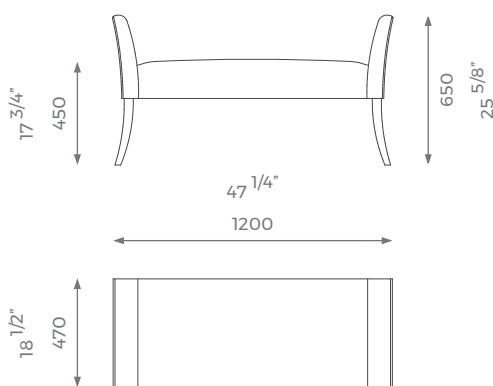
BENCH

Austen

This chic bench features elegant curves and soft lines. The Austen has sumptuous layers of padding to ensure maximum comfort. This piece can be upholstered in an array of fabrics and leathers and the show-wood legs can be finished with your choice of color.

SMALL

ST-01-BN-03-S



DETAILS

- Piping on the outer part of the arms.
- Wooden legs.
- 10 years construction guarantee (for further information please contact our sales team).

BESPOKE

This piece has an array of customization options, you can order a CAD technical drawing (additional cost) or/and give property access for fine measuring checks to ensure maximum precision on your bespoke order.

For further questions feel free to contact our sales team and with the help of our experts we help you solve all your questions.



PLAIN
3.1 m



PATTERN/VELVET
3.7 m



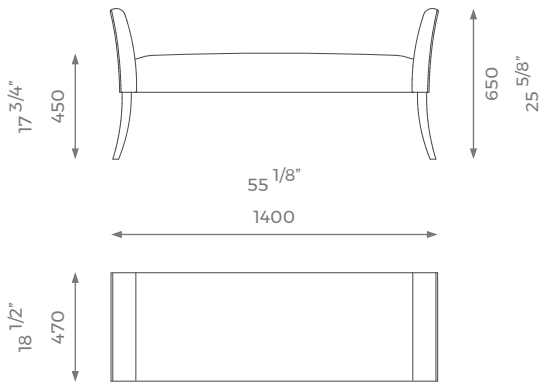
LEATHER
4.9 sq m



LONDON

MEDIUM

ST-01-BN-03-M



PLAIN
3.6 m



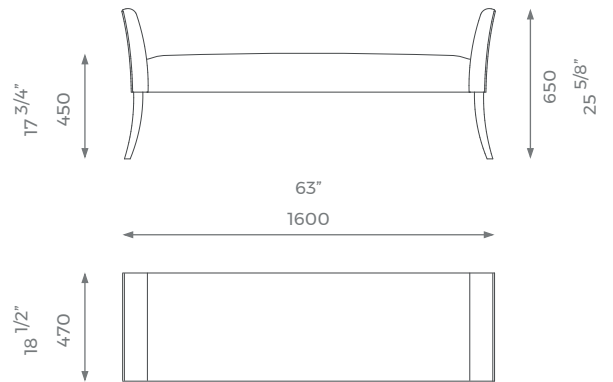
PATTERN/VELVET
4.5 m



LEATHER
6 sq m

MEDIUM

ST-01-BN-03-L



PLAIN
4 m



PATTERN/VELVET
4.9 m



LEATHER
6.6 sq m