



LONDON



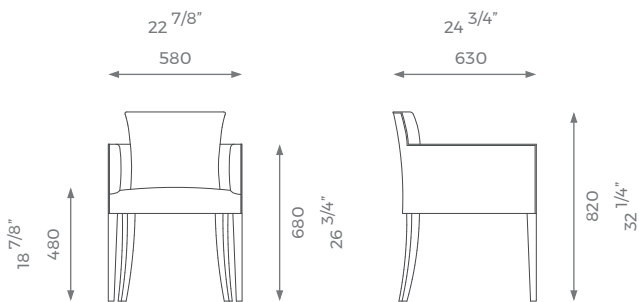
DINING CHAIR

Alexander

This dining chair piece is a perfect choice for clients who value comfort without compromising on style. The Alexander chair has carefully proportioned measures to maximize a lavish seating experience. This chair also sports a sleek curved back and elegant piping detail.

DIMENSIONS

ST-01-DC-02



PLAIN
2.8 m



PATTERN/VELVET
3.5 m



LEATHER
4.7 sq m

DETAILS

- Piping on the back and arms.
- Wooden legs.
- 10 years construction guarantee (for further information please contact our sales team).

BESPOKE

This piece has an array of customization options, you can order a CAD technical drawing (additional cost) or/and give property access for fine measuring checks to ensure maximum precision on your bespoke order.

For further questions feel free to contact our sales team and with the help of our experts we help you solve all your questions.