



LONDON

## DINING TABLE

# Elizabeth

Elizabeth is a contemporary and elegant dining table of angular lines and simple shapes.

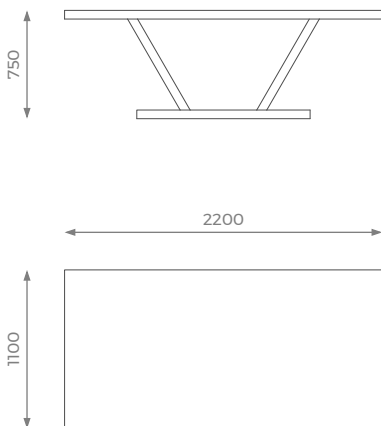
This beautiful dining table showcases a rectangular top and a base that can be lined with the mirror or glass finish of your choice. Elizabeth is sure to stand out in any interior.



## DIMENSIONS

ST-02-DT-03

H: 750 mm | W: 2200 mm | D: 1100 mm



### STANDARD OPTIONS AVAILABLE



## DETAILS

- Mirror or glass in the inner part of the leg structure.
- 2 years construction guarantee (for further information please contact our sales team).

## BESPOKE

This piece has an array of customization options, you can order a CAD technical drawing (additional cost) or/and give property access for fine measuring checks to ensure maximum precision on your bespoke order. For further questions feel free to contact our sales team and with the help of our experts we help you solve all your questions.

### SHOWROOM

5 PHOENIX TRADING ESTATE  
BILTON ROAD | PERIVALE UB6 7DZ

[WWW.SOFAANDMORE.CO.UK](http://WWW.SOFAANDMORE.CO.UK)

[INFO@SOFAANDMORE.CO.UK](mailto:INFO@SOFAANDMORE.CO.UK)

+44 0208 997 1500

ALL THE DIMENSIONS ARE IN MILLIMETERS.  
DESIGN AND SPECIFICATIONS ARE SUBJECT  
TO CHANGE WITHOUT NOTICE.  
PRINTED COLORS ARE TO BE CONSIDERED  
AS PURELY INDICATIVE.