



LONDON



DINING CHAIR

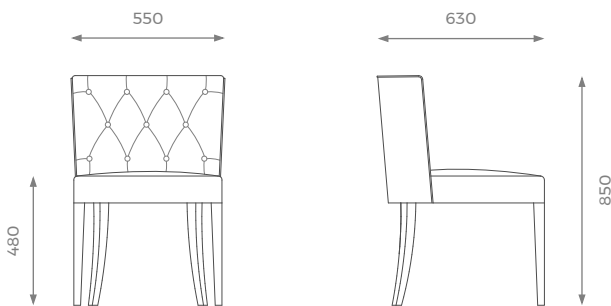
Celine

Celine boasts a curved back detailed with a pulled deep buttoning and seaming for a striking and prestigious look. This lavish chair also features show wood finish legs and can be upholstered in a variety of fabrics.

DIMENSIONS

ST-01-DC-08

H: 850 mm | W: 550 mm | D: 630 mm | SH: 480 mm



DETAILS

- Piping on the back.
- Pulled deep buttoning.
- Wooden legs.
- 10 years construction guarantee (for further information please contact our sales team).

BESPOKE

This piece has an array of customization options, you can order a CAD technical drawing (additional cost) or/and give property access for fine measuring checks to ensure maximum precision on your bespoke order. For further questions feel free to contact our sales team and with the help of our experts we help you solve all your questions.



PLAIN
3m



PATTERN / VELVET
4m



LEATHER
4.5 sqm

SHOWROOM
5 PHOENIX TRADING ESTATE
BILTON ROAD | PERIVALE UB6 7DZ

WWW.SOFAANDMORE.CO.UK
INFO@SOFAANDMORE.CO.UK
+44 0208 997 1500

ALL THE DIMENSIONS ARE IN MILLIMETERS.
DESIGN AND SPECIFICATIONS ARE SUBJECT
TO CHANGE WITHOUT NOTICE.
PRINTED COLORS ARE TO BE CONSIDERED
AS PURELY INDICATIVE.