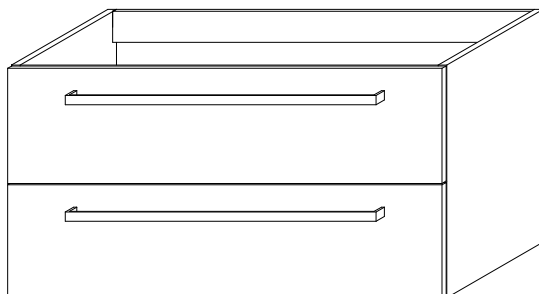


# INSTRUCTION FOR WALL FIXING OF BATHROOM FURNITURE

## Vanity unit with 2 drawers cm



Page. 1

### Before You start:

- During unpacking, please check-up the product, if it is complete and not being damaged.
- The supplied supporting brackets/fixings system and screws are only for solid, full wall. Take care, by yourself, that you are using the right screws for wall type – in case of doubts, please consult professional staff.
- Clean the room and the surface, the area must be dry and without dust or powder.
- Please read completely these instructions.
- Take care that you have got all necessary and correct work tools, please see the following list of “necessary tools”.

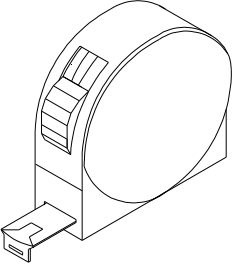
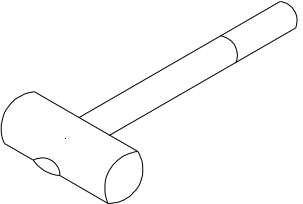
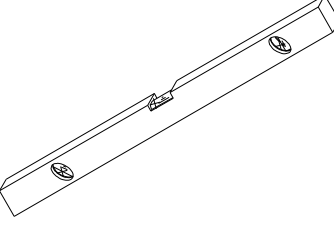
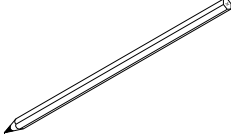
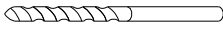
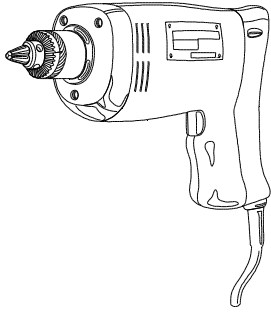
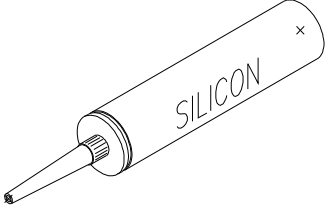
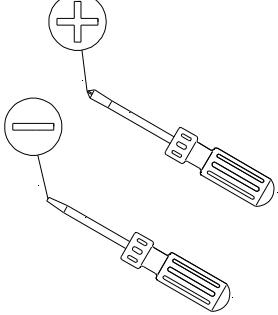
### Safety:

- Handle with care the cardboard boxes and packaging, avoiding the risks to damage furniture.
- Bathroom furniture is heavy and needs 2 people to support/transport and install it.
- During wall drilling, first check-up that there are no hidden pipes or cables inside the wall.
- Use safety-glasses during drilling arrangements.
- Before electrical connection, disconnect the main Voltage power supply.

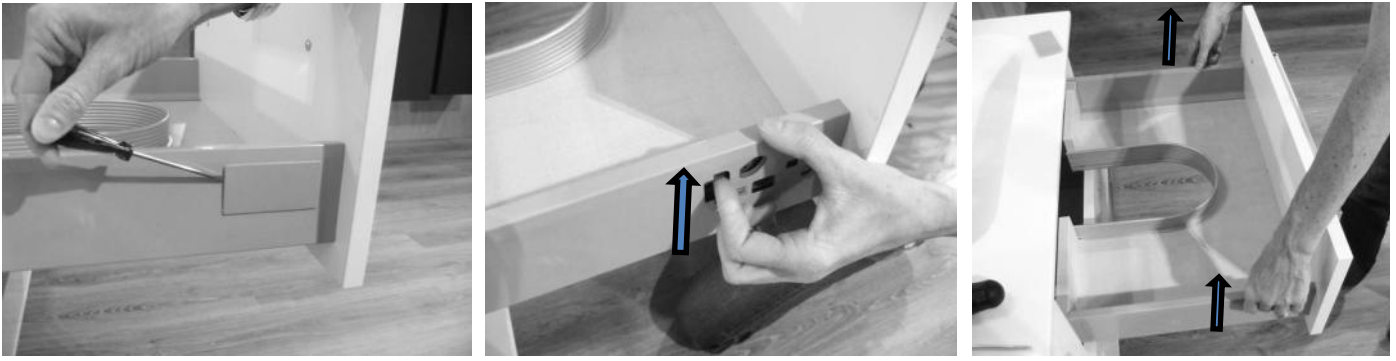
### Disclaimer/ Exclusion of liability

- Please notify Your Dealer immediately, if there are any damage or defects. The Manufacturer cannot be held responsible for any installation costs, which can result from damaged or defective product during installation.
- Always dispose the packaging materials respecting the environment.

**Necessary tools (not supplied)**

RULE	RUBBER HAMMER	SPIRIT LEVEL	PENCIL
			
TWIST DRILL	ELECTRIC HAND-DRILL	SILICONE	SCREWDRIVER
 <p> <math>\phi 6 - \phi 8 - \phi 14</math>  <math>0 \frac{15}{64}'' - 0 \frac{5}{16}'' - 0 \frac{35}{64}''</math> </p>			

Before installation you must pull out the drawers of Vanity unit



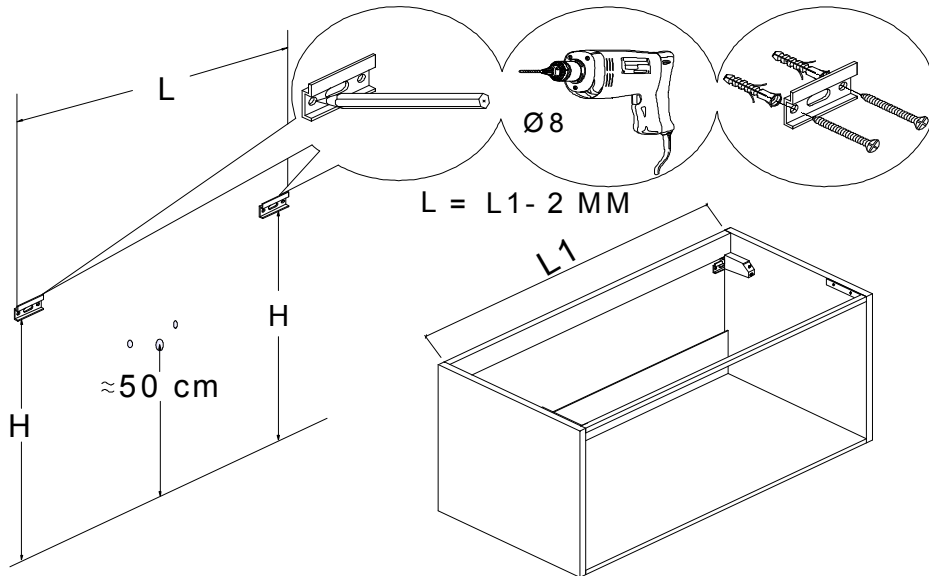
1) Remove the plastic cover from the drawer-sides with a screwdriver and press up on the levers.



2) Pull out the drawer by pulling it up towards yourself, holding down the two levers, hereinafter push guides to the inside of the cabinet to avoid hitting them during cabinet installation.

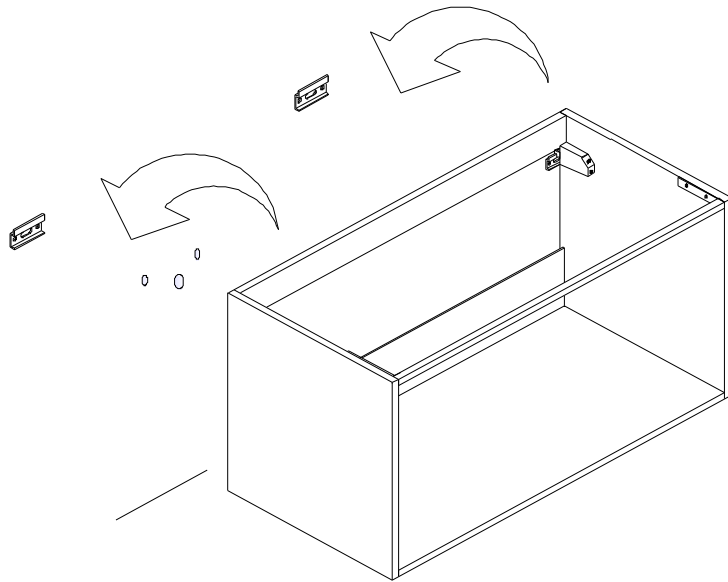


Repeat the same arrangement for the inferior drawer.

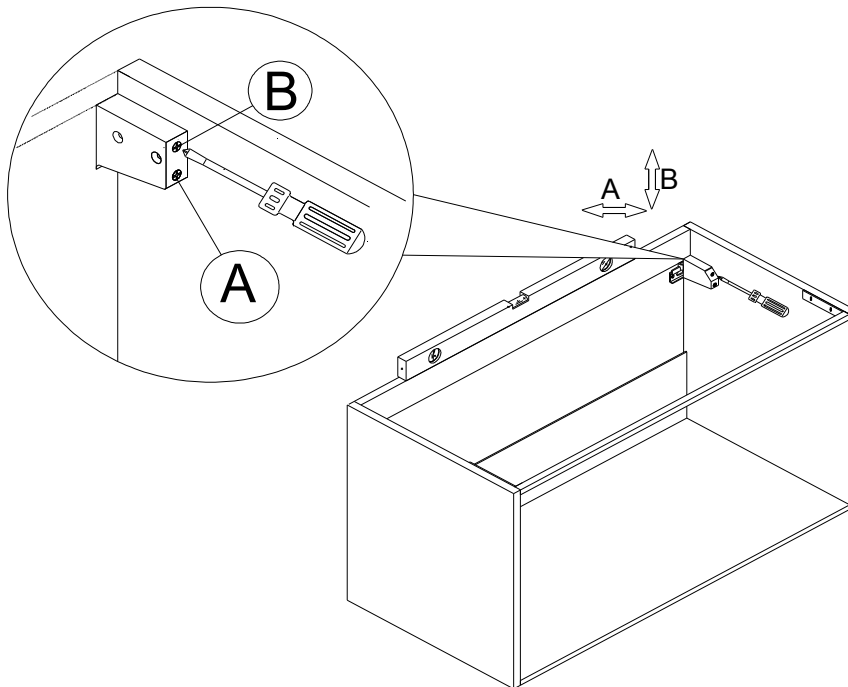


L= external dimension of supports L1= inside measure of sides – 2 mm. H= approx cm.71

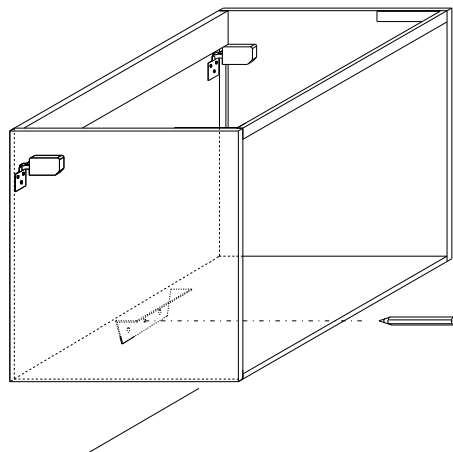
3) Draw with a pen the points, where you will drill the holes for Vanity unit wall fixing, hereinafter drill the holes, insert the dowels inside the wall holes, screw the plates at the wall, using the equipped screws.



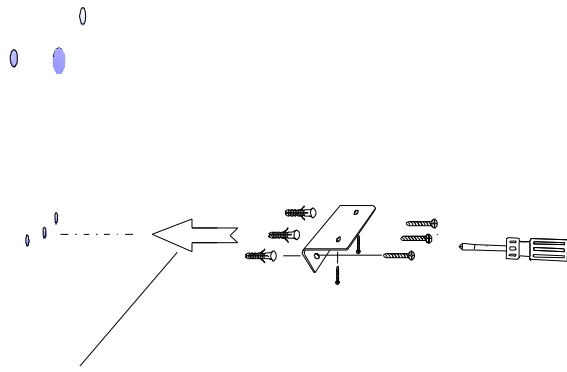
- 4) Hang the Vanity unit to the wall, using the specific fixings supports, already installed at the sides of the Vanity unit.



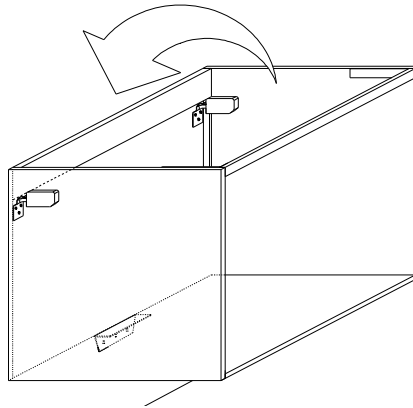
- 5) The height of the furniture can be adjusted using the screw (B) of both supports, till the Vanity unit will be at the same level. Hereinafter align and approach the cabinet to the wall using the screw (A) of the brackets.



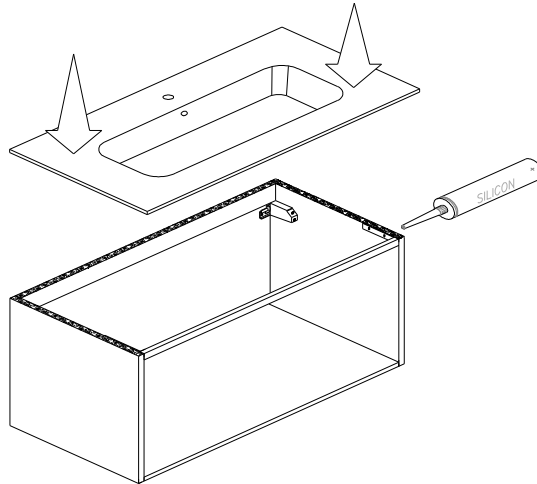
- 6) Draw with a pen the points at the wall, where the holes will be performed to fix the "L" profile for cabinet support.



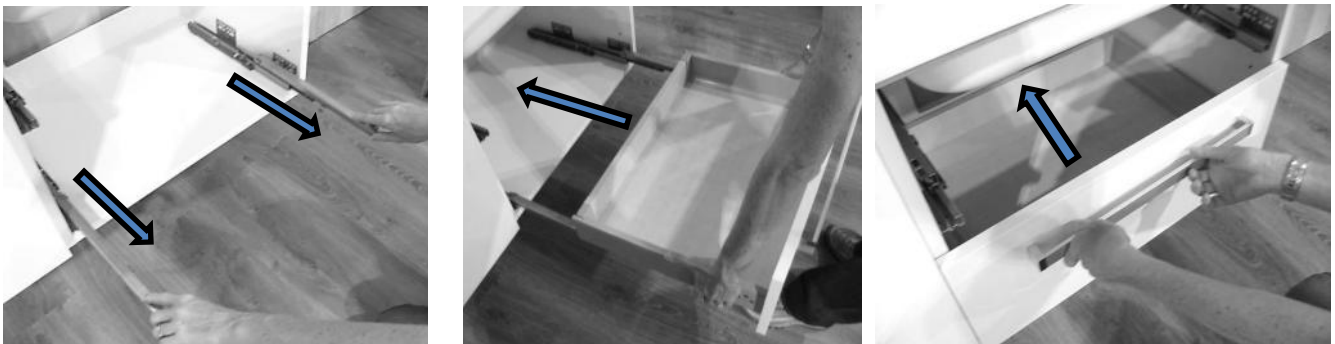
7) For convenience we recommend to unhook the cabinet from the wall, after having marked the position of the holes, drill with the drilling machine, where previously indicated with the pencil, insert the appropriate supplied plugs and find the horizontal position of the "L" profile by turning the screws.



8) Hang once again the Vanity unit as the initial position.

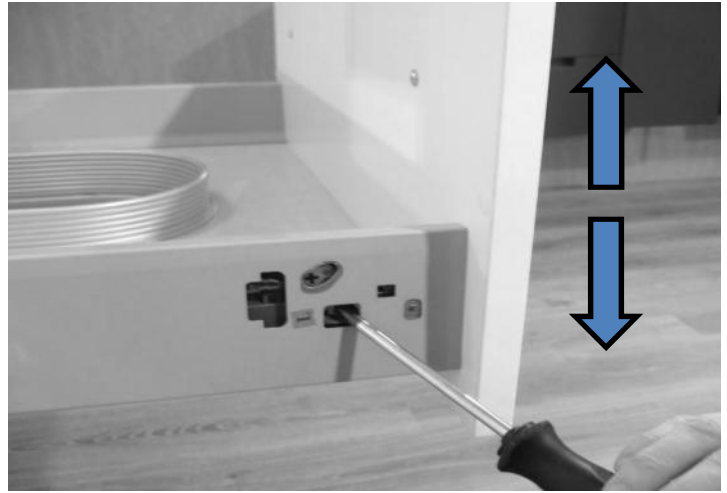
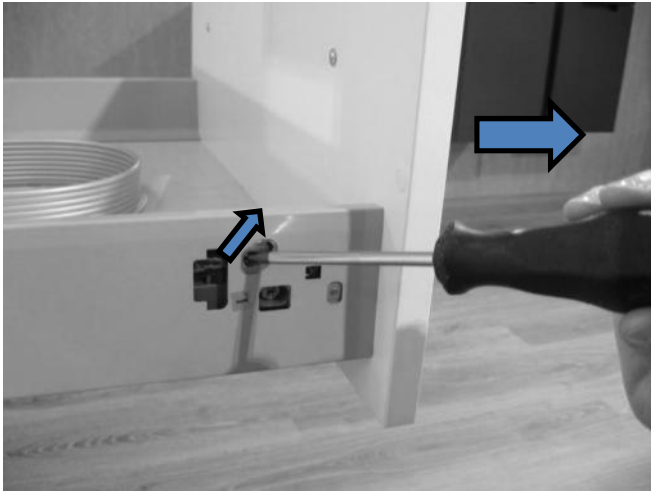


9) Silicone the upper edges of the furniture. Hereinafter put the top on it and center the position on the cabinet.



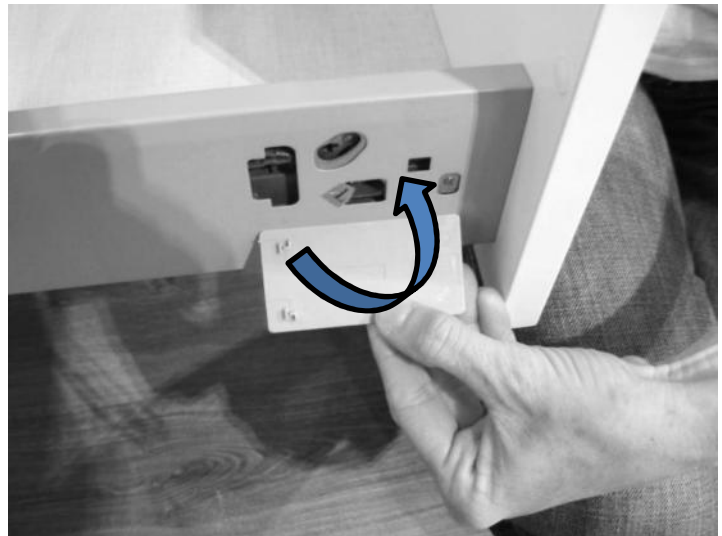
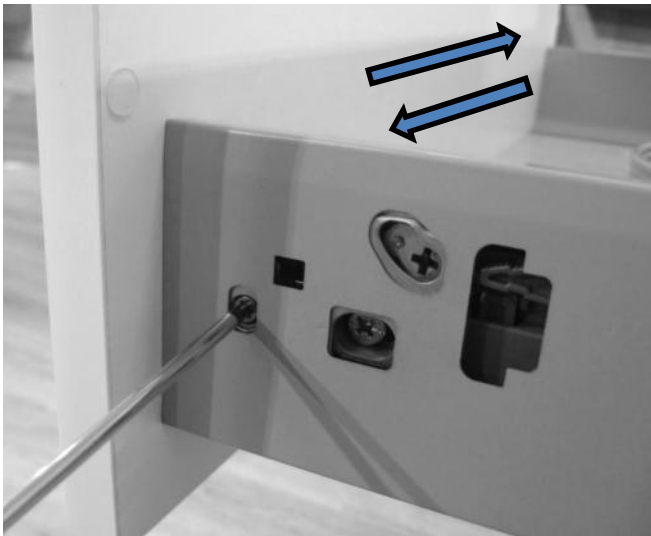
10) To replace the drawers, pull out both side guides and place the drawer on them. Close it, until the drawer bumps against the furniture sides (you should hear a Click), when it happens the automatic locking of drawer guides.

**Unhook and adjust the drawer**

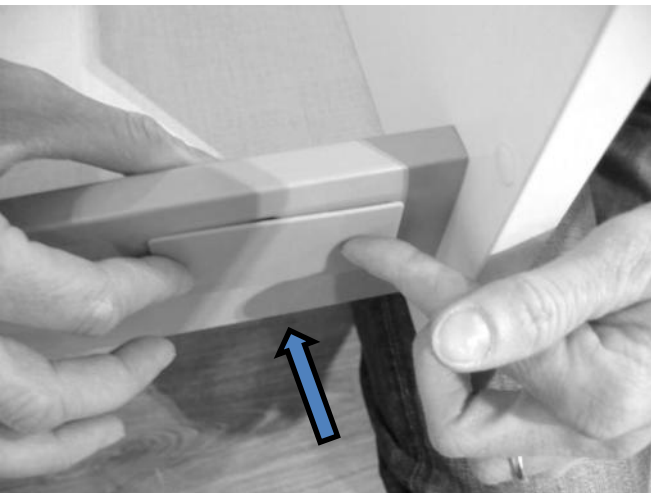


**11) to unhook the front, use the indicated screw**

**12) to adjust the height of the front, use the indicated screw**



**13) to adjust the horizontal position of the drawer-front, use the indicated screw**



**14) when you have ended all adjustments, re-fit the plastic cover as shown in the picture.**

**Thank you to have chosen Edmo bathroom furniture**