

# *Jazz™ II*

## Instruction and Reference Guide

Instruction et Guide de Référence

Model BLMJZ-2



**FOR THE LOVE OF SEWING**

To register your machine warranty and receive Baby Lock product updates and offers, go to [babylock.com/profile](http://babylock.com/profile). If you have questions with registration, visit your Authorized Baby Lock Retailer.

Baby Lock Consumer Helpline: 800-313-4110

[www.BabyLock.com](http://www.BabyLock.com)



## IMPORTANT SAFETY INSTRUCTIONS

When using this sewing machine, basic safety precautions should always be followed, including the following:

**Read all instructions before using.**

### **DANGER— — To reduce the risk of electric shock.**

- 1 This sewing machine should never be left unattended when plugged in . Always unplug this sewing machine from the electrical outlet immediately after using and before cleaning.
2. Do not reach for this sewing machine that has fallen into water. Unplug immediately.
3. Do not place or store sewing machine where it can fall or be pulled into a tub or sink. Do not place or drop into water or other liquid.

### **WARNING— — To reduce the risk of burns, fire, electric shock, or injury to persons.**

- 1 Do not allow to be used as a toy. Close attention is necessary when this sewing machine is used by or near children.
2. Use this sewing machine only for its intended use as described in this manual. Use only attachments recommended by the manufacturer as contained in this manual.
3. Never operate this sewing machine if it has a damaged cord or plug, if it is not working properly, if it has been dropped or damaged, dropped into water. Return this sewing machine to the nearest authorized Baby Lock retailer for examination, repair, electrical or mechanical adjustment.
4. Never operate this sewing machine with any air openings blocked. Keep ventilation openings of this sewing machine and foot control free from the accumulation of lint, dust, and loose cloth.
5. Never drop or insert any object into any opening.
6. Do not use outdoors.
7. Do not operate where aerosol (spray) products are being used or where oxygen is being administered.
8. To disconnect, turn all controls to the off ( O ) position, then remove plug from outlet.
9. Do not unplug by pulling on cord. To unplug, grasp the plug, not the cord.
10. Keep fingers away from all moving parts. Special care is required around this sewing machine needle.
11. Always use proper needle plate. The incorrect or damaged plate can cause the needle to break.
12. Do not use bent needles.
13. Do not pull or push fabric while stitching. It may deflect the needle causing it to break.
14. Switch this sewing machine OFF( O ) when making any adjustments in the needle area, such as threading needle , changing needle, threading bobbin, or changing presser foot, etc.
15. Always unplug sewing machine from the electrical outlet when removing covers, lubricating, or when making any other user servicing adjustments mentioned in this instruction manual.
16. Never operate on a soft surface such as a bed or couch where the air openings may be blocked.
17. Do not use the machine near a heat source, such as a stove or iron; otherwise, the machine power cord or garment being sewn may ignite, resulting in fire or an electric shock.
18. When storing this machine, avoid direct sunlight and high humidity location. Do not use or store the machine near a space heater, iron, halogen lamp, or other hot objects in order to have a longer service life.
19. The sewing machine's rating is 100V-120Vac
20. If one of the LED lamps is damaged or broken, it must be replaced by the manufacture or its service agent, in order to avoid a hazard.
21. Never place anything on the foot controller.
22. Use only the foot controller type YC-485EC manufactured by Yamamoto Electric Co., Ltd.
23. The supply cord connected with the foot controller cannot be replaced. If the cord is damaged the foot controller should be scrapped.

**CAUTION-** Moving parts- To reduce risk of injury, switch off before servicing.  
Close cover before operating machine.

## SAVE THESE INSTRUCTIONS

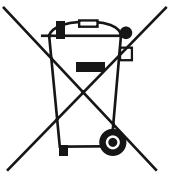
This product is intended for household use.

**EU ONLY**

## RECYCLING



**DO NOT THROW AWAY!**



**We are committed to the protection of the environment. We strive to minimize the environmental impact of our products by continuously improving product design and our manufacturing methods.**

At end of life please dispose of this product in an environmentally responsible way.

The crossed-out wheeled bin symbol featured above and on the product's data-plate means that this product falls under the scope of the E.U. "Waste Electrical and Electronic Equipment" (WEEE) directive and "Restriction of the Use of Certain Hazardous Substances in Electrical and Electronic Equipment" (ROHS) directive and should not be disposed of with your household waste. At end of life, you must ensure that this product is disposed of in accordance with national and local legislation and that it is sorted as Category 2 "Small Domestic Appliances" WEEE. You may be liable under local and national laws for improper disposal of this product. Please consult the web, or a competent national or local body, for the return and collections systems available to you and the locations of your nearest recycling points. If you purchase a new product direct from us we will take your old product back, irrespective of the brand, if it is a like for like sale.

As an individual you can make a positive impact on reuse, recycling and other forms of recovery of WEEE. This will reduce use of landfill and minimize the environmental impact of the products you use.

Hazardous substances in electronic and electrical products can have a harmful impact on human health and on the environment.



## INTRODUCTION

Thank you for purchasing this machine.

Before using this machine, carefully read the "IMPORTANT SAFETY INSTRUCTIONS", and then study this manual for the correct operation of the various functions.

In addition, after you have finished reading this manual, store it where it can quickly be accessed for future reference.

## UNPACKING/REPACKING INSTRUCTIONS

Keep the carton and packing materials. You may have to take or send the machine to be repaired. If you do not pack it properly, or do not use the right packing material, the machine could be damaged.

### IMPORTANT

- **This packing material is designed to prevent damage. Save this packing material if you need to take or send this machine to be repaired.**

## PLEASE READ THESE INSTRUCTIONS BEFORE YOU USE THE MACHINE.

### To use the machine safely

1. Make sure you watch the needle carefully while you are sewing. Do not touch the handwheel, thread take-up lever, needle, or other moving parts.
2. Turn off the main power and unplug the cord in the following circumstances :
  - When you have stopped using the machine
  - When you are replacing or removing the needle or any other part
  - If there is a power failure while you are using the machine
  - If you are checking or cleaning the machine
  - Leaving the machine unattended
3. Do not store anything on the foot controller.
4. Plug the machine directly into the wall. Do not use extension cords.

### To give your machine a longer life

1. Do not store this machine in direct sunlight or in high humidity conditions. Do not use or store the machine near a heater, iron, halogen lamp or other hot objects.
2. Use only mild soaps or detergents to clean the case. Benzene, thinner, and scouring powders can damage the case and machine, and should never be used.
3. Do not drop or hit the machine.
4. Always consult this manual before you replace or attach presser feet, the needle, or any other parts to make sure you attach them correctly.

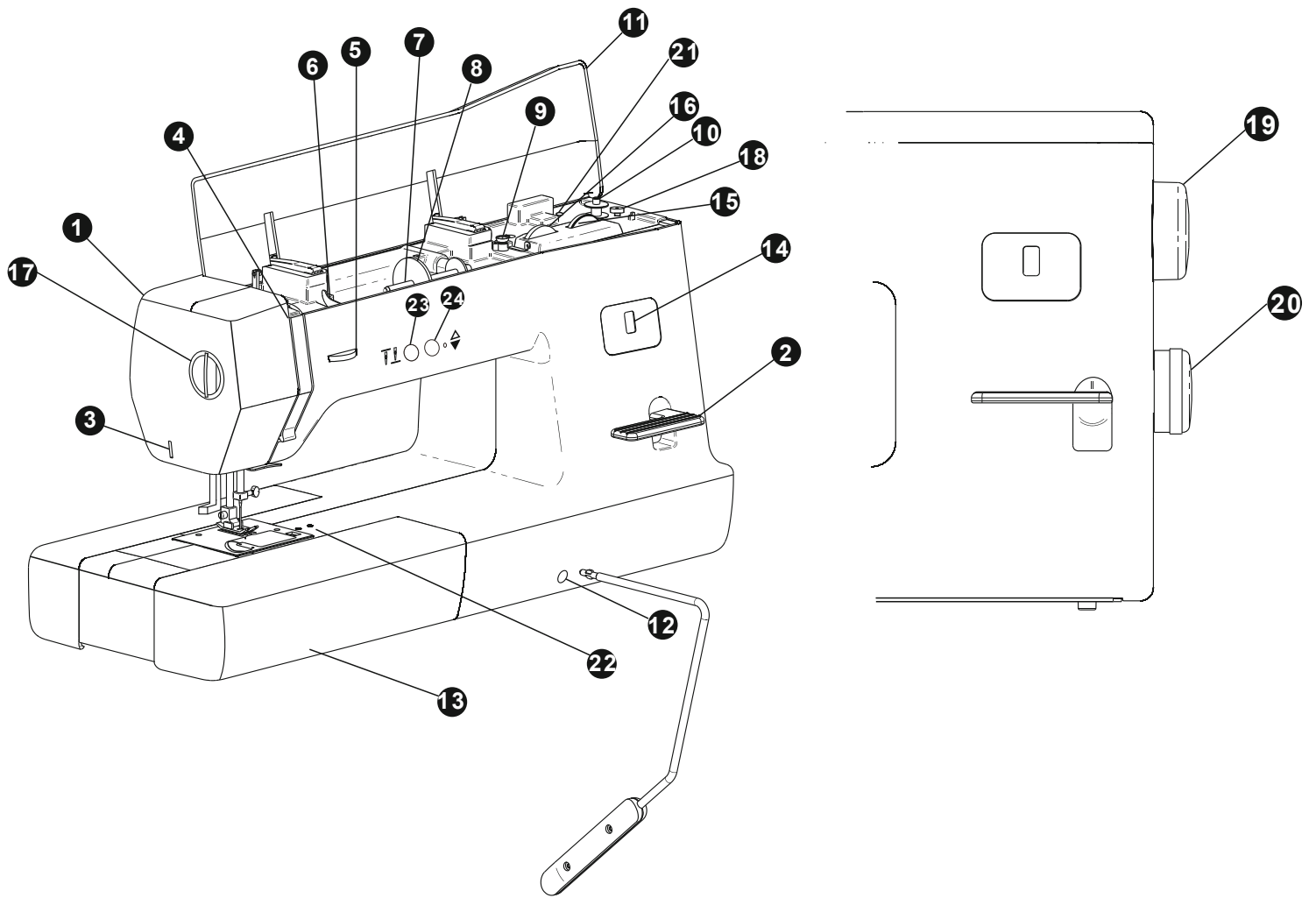
### To repair or adjust the machine

If the machine breaks down or needs adjustment, first follow the troubleshooting table to inspect and adjust the machine yourself. If the problem is still there, consult your local authorized Baby Lock retailer.

# TABLE OF CONTENTS

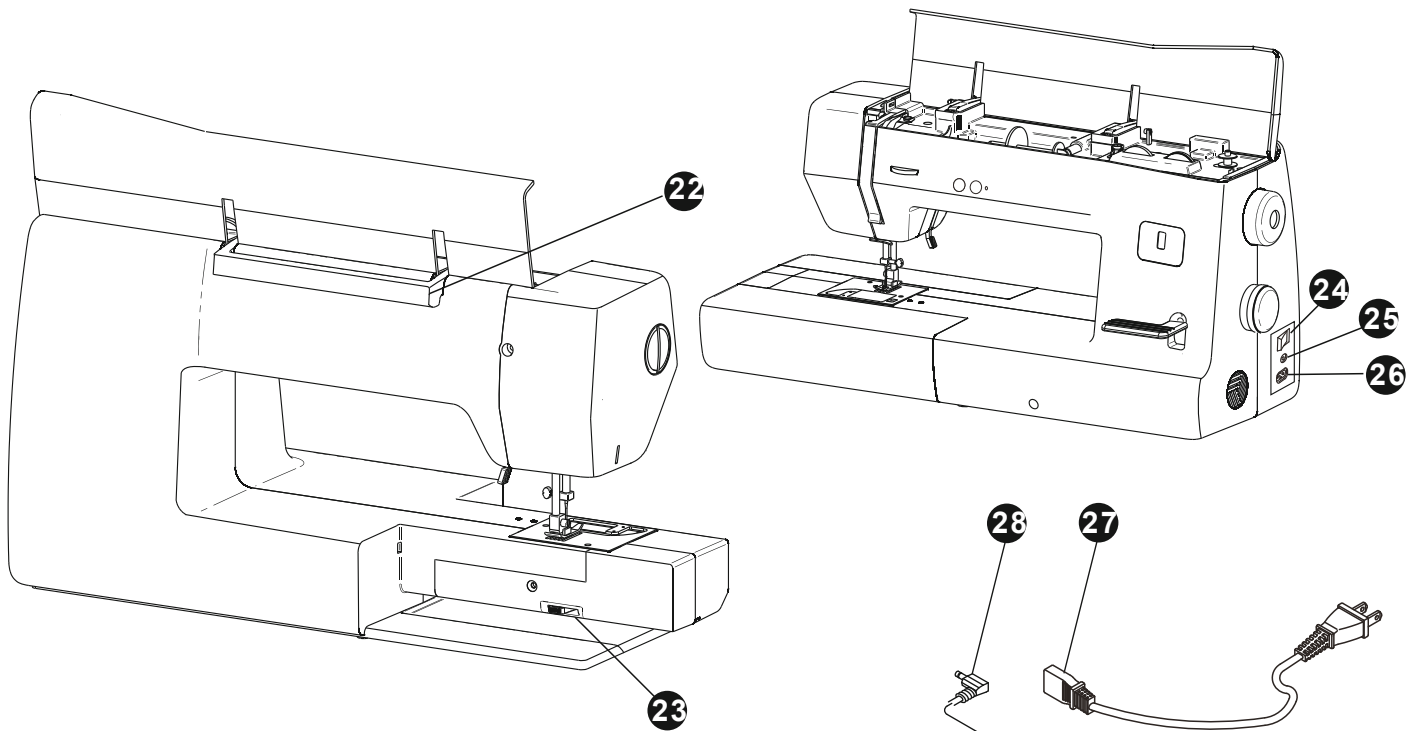
IMPORTANT SAFETY INSTRUCTIONS	1
RECYCLING (EU ONLY)	2
INTRODUCTION	3
UNPACKING/REPACKING INSTRUCTIONS	3
INSTRUCTIONS BEFORE YOU USE THE MACHINE	3
MAIN PARTS	5
ACCESSORIES	7
FLAT BED ATTACHMENT	7
REMOVING THE FLAT BED ATTACHMENT	7
OPENING THE ACCESSORY COMPARTMENTS	7
FREE ARM STYLE	7
CONNECTING THE MACHINE	8
POWER CONNECTION	8
FOOT CONTROLLER	8
CHANGING THE PRESSER FOOT	9
CHANGING THE NEEDLE	9
THREADING THE MACHINE	10
BOBBIN WINDING	10
LOWER THREADING	11
UPPER THREADING	12
USING NEEDLE THREADER	13
DRAWING UP THE LOWER THREAD	13
CONTROLS	14
PATTERN SELECTION DIAL AND INDICATOR	14
STITCH LENGTH DIAL	14
STITCH WIDTH DIAL	15
PRESSER FOOT PRESSURE ADJUSTMENT DIAL	15
REVERSE SEWING LEVER	15
DROP FEED DOG LEVER	15
KNEE LIFTER	16
SETTING THE THREAD TENSION	17
FABRIC, THREAD AND NEEDLE COMBINATIONS	18
STRAIGHT STITCH SEWING	19
ZIGZAG STITCH SEWING	21
BLIND HEM STITCH SEWING	21
OVERCASTING-OVERLOCKING	22
MULTI-STITCH ZIGZAG	24
STRETCH STITCH SEWING	24
SEWING BUTTONHOLES	25
BUTTONHOLES FINE TUNING	26
INSERT ZIPPERS AND PIPING	27
STRAIGHT STITCH SEAMING AND QUILTING	28
DARNING/FREE MOTION QUILTING	28
PATCH WORK	29
APPLIQUE	29
SCALLOP STITCH	30
TWIN NEEDLE SEWING	31-32
CARING FOR YOUR MACHINE	33
TROUBLESHOOTING	34
STITCH REFERENCE CHART	35-38

# MAIN PARTS

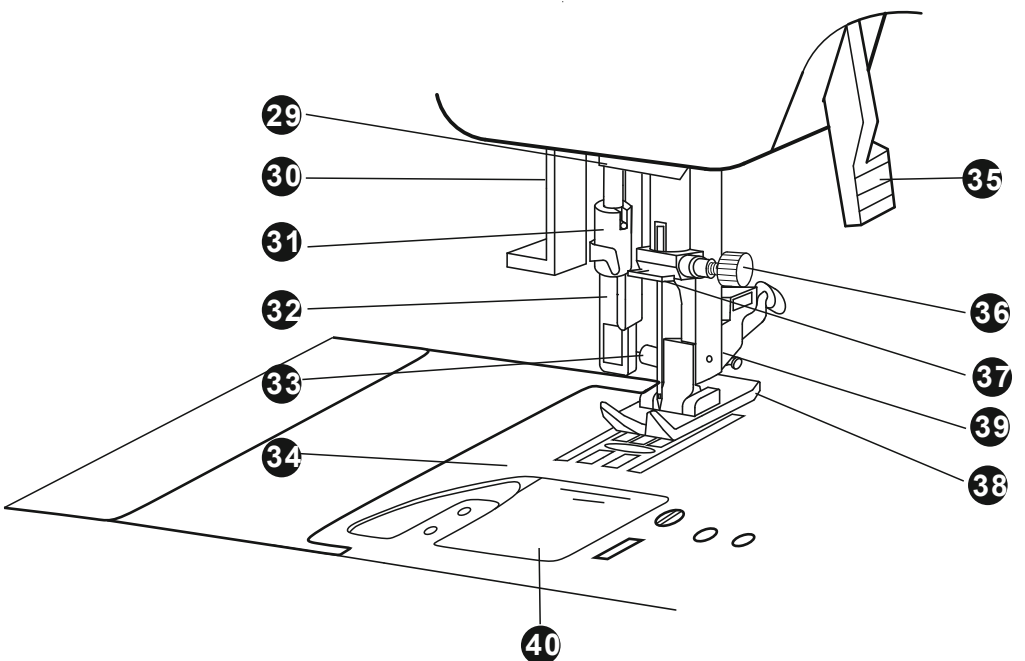


- 1** Face Cover
- 2** Reverse Lever
- 3** Thread Cutter
- 4** Thread Take-Up Lever (inside)
- 5** Thread Tension Regulator
- 6** Thread Guide Plate
- 7** Spool Pin
- 8** Spool Cap
- 9** Bobbin Winder Pretension Disc
- 10** Bobbin Winder Shaft
- 11** Top Cover
- 12** Knee Lifter Mounting Slot
- 13** Flat Bed Attachment With Accessory Compartments
- 14** Pattern Indicator
- 15** Stitch Length Dial
- 16** Stitch Width Dial
- 17** Presser Foot Pressure Adjustment Dial
- 18** Bobbin Winder Stop
- 19** Handwheel
- 20** Pattern Selection Dial
- 21** Buttonhole Fine Tuning
- 22** Thumb Screw Holes
- 23** Needle Up/Down Button
- 24** Needle Stop Position Button

# MAIN PARTS

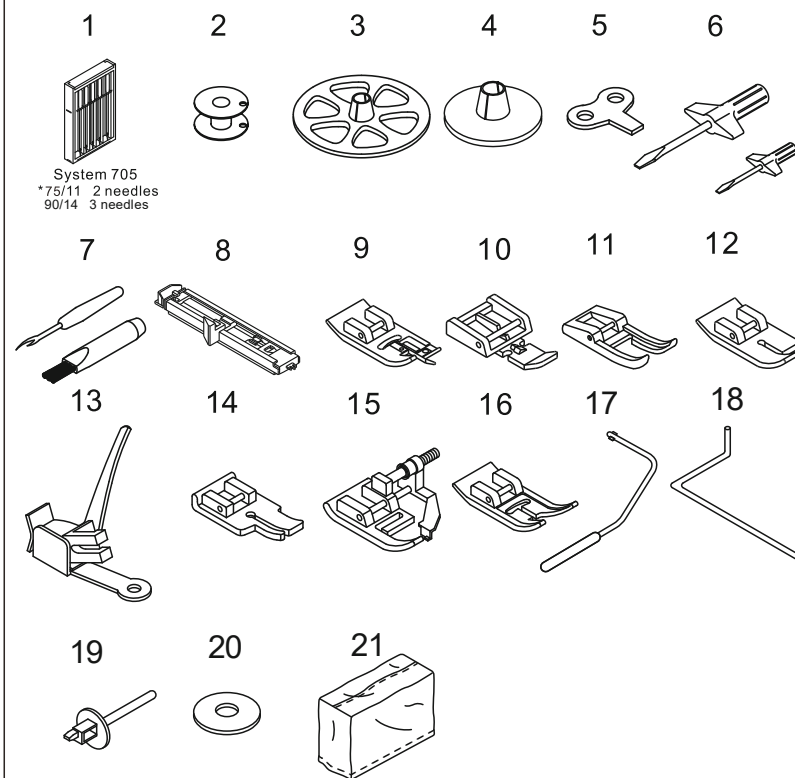


- 22 Carrying Handle
- 23 Drop Feed Dog Lever
- 24 Main Power Switch
- 25 Foot Control Jack
- 26 Power Cord Receptacle
- 27 Power Cord
- 28 Foot Controller
- 29 Lower Thread Guide
- 30 Needle Threader Lever
- 31 Needle Threader
- 32 Buttonhole Lever
- 33 Presser Foot Holder Screw
- 34 Needle Plate
- 35 Presser Foot Lever
- 36 Needle Clamp Screw
- 37 Needle Bar Thread Guide
- 38 Presser Foot
- 39 Presser Foot Holder
- 40 Bobbin Cover



# ACCESSORIES

1. Needle Set
2. Bobbin(4)  
(one in machine)
3. Spool Cap(large)
4. Spool Cap(small)
5. Needle Plate Screwdriver
6. Screwdrivers
7. Seam Ripper with Brush
8. Buttonhole Foot
9. Overcasting Foot
10. Zipper Foot
11. Open Toe Foot
12. Straight Stitch Foot
13. Darning/Free Motion Quilting Foot
14. 1/4 Inch Quilting Foot
15. Blind Hem Foot
16. All Purpose Foot (on machine )
17. Knee Lifter
18. Quilting Guide
19. Vertical Spool Pin
20. Spool Pin Felt (2)  
(One on machine)
21. Dust Cover

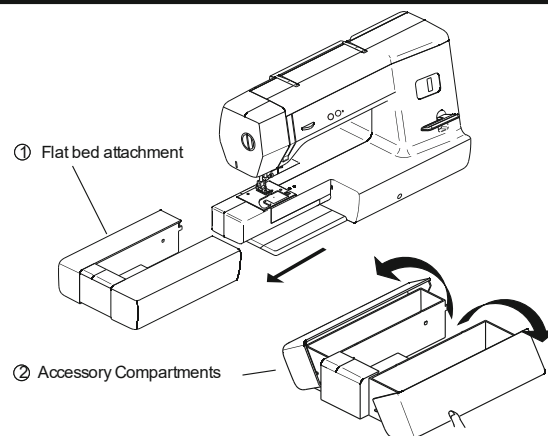


## FLAT BED ATTACHMENT

### Removing The Flat Bed Attachment

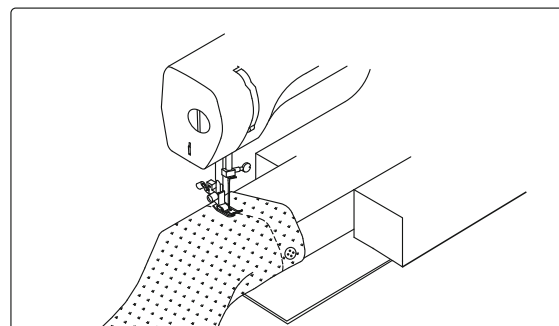
The accessories are stored in the compartments inside the flat bed attachment.

- 1 Slide the flat bed attachment to the left to release it.
- 2 Pull the top of the flat bed attachment to open the accessory compartments.



### Free-Arm Style

Free-arm sewing is convenient for sewing tubular and hard to reach areas. To change your machine to the free arm style, remove the flat bed attachment.



# CONNECTING THE MACHINE

## Power Connection

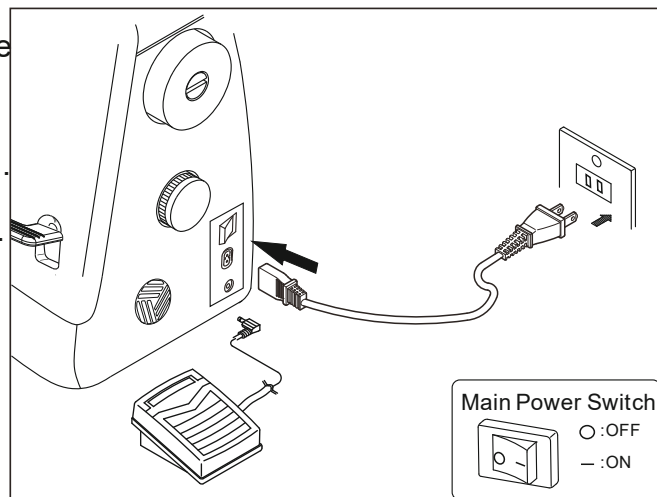
- 1 Place machine on a sturdy table and make sure the main power switch is in the OFF position.
- 2 Connect the power supply cord to the machine.
- 3 Connect the power supply plug to a wall outlet.

### WARNING

- Use regular household electricity for power source. Using other power sources may result in fire, electric shock, or damage to the machine.
- Turn off the main power and remove the plug in the following circumstance:
  - When you are away from the machine
  - After using the machine
  - When the power fails during use
  - When the machine does not operate correctly due to a bad connection or a disconnection
  - During electrical storms

### CAUTION

- Do not use extension cords or multi-plug adapters with many other appliances plugged in to them. Fire or electric shock may result.
- Do not touch the plug with wet hands. Electric shock may result.
- When unplugging the machine, always turn off the main power first. Always grasp the plug to remove it from the outlet. Pulling on the cord may damage the cord, or lead to fire or electric shock.
- Do not allow the power cord to be cut, damaged, modified, forcefully bent, pulled, twisted, or bundled. Do not place heavy object on the cord. Do not subject the cord to heat. These behaviors may damage the cord and cause fire or electric shock. If the cord or plug is damaged, take the machine to your authorized Baby Lock retailer for repairs before continuing use.
- Unplug the power cord if the machine is not to be used for a long period of time, otherwise a fire may result.



### Note US ONLY

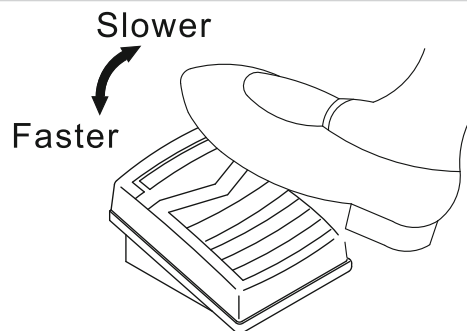
This appliance has a polarized plug (one blade wider than the other). To reduce the risk of electrical shock, this plug is intended to fit in a polarized outlet only one way. If the plug does not fit fully into the outlet please reverse the plug. If it still does not fit, contact a qualified electrician to install the proper outlet. Do not modify the plug in any way.

## Foot Controller

- 1 Connect the foot control to the machine by inserting the foot control pin into the foot control receptacle located on the right side of sewing machine.
- 2 When you press the foot controller lightly, the machine will run at a low speed.
  - When you press harder, the speed of machine will increase. When you take your foot off the foot controller, the machine will stop. You should make sure that no items are placed on the foot controller when the machine is not in use.

### CAUTION

Do not allow pieces of cloth and dust to build up on the foot controller. Doing so could cause a fire or an electric shock.



### Note

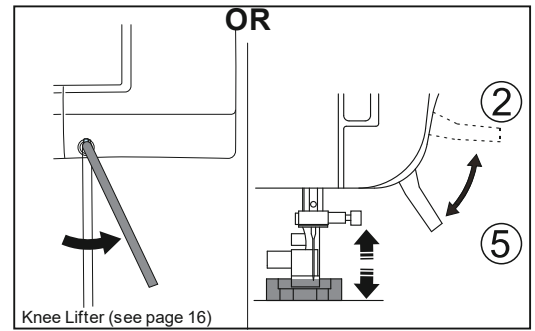
Use only foot controller provided with this machine. Foot Controller: Model YC-485EC

# CHANGING THE PRESSER FOOT

## CAUTION

- Always turn off the power before you change the presser foot. If you leave the power on and step on the controller, the machine will start and you may be injured.
- Always use the correct presser foot for the stitch pattern you have chosen. If you use the wrong presser foot, the needle may strike the presser foot and bend or break, and may cause injury.
- Only use presser feet that have been designed to be used with this machine. Using any other presser foot may damage machine or cause personal injury.

1. Turn the handwheel toward you until the needle is at its highest position.
2. Raise the presser foot lever.
3. Remove the presser foot by pushing the presser foot release lever toward you.
4. Place desired foot with its pin (A) directly under the notch (B) in presser foot holder.
5. Lower the presser foot lever and presser foot will snap into the place

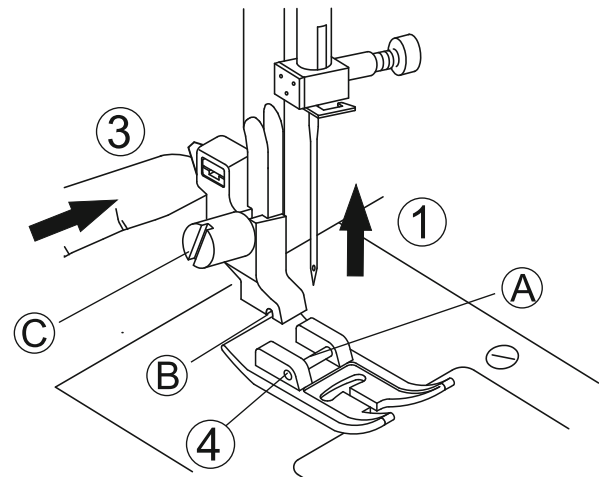


## REMOVING THE PRESSER FOOT HOLDER

You may need to remove the presser foot holder to use other presser feet.

To remove, raise the presser foot lever and loosen the presser foot holder screw ( C ).

To re-attach, tighten the screw after aligning the presser foot holder with lower left side of presser bar.



- (A) Presser foot pin
- (B) Presser foot holder notch
- (C) Presser foot holder screw

# CHANGING THE NEEDLE

Select a needle of the right type and size for the fabric to be sewn. (See Fabric, Thread and Needle Table on page 18.)

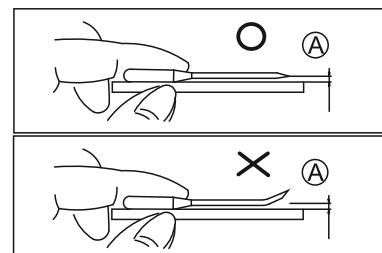
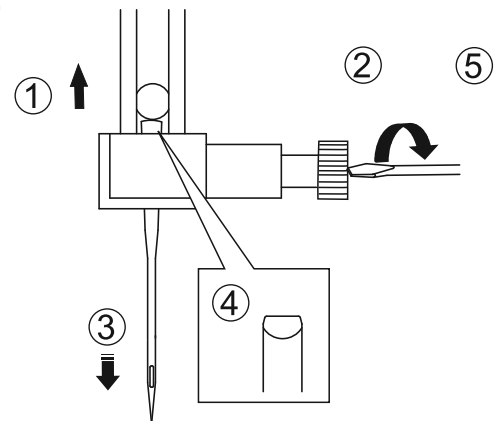


## CAUTION: To prevent accidents.

Turn OFF the power before removing the needle.

1. Turn the handwheel toward you until the needle is at its highest position.
2. Loosen the needle clamp screw with screwdriver.
3. Remove the needle.
4. Insert new needle into needle clamp with the flat side to the back, and push it up as far as it will go.
5. Tighten the needle clamp screw.

- A. Place needle on a flat surface and check to see if bent.  
Do Not use any bent or blunt needles.



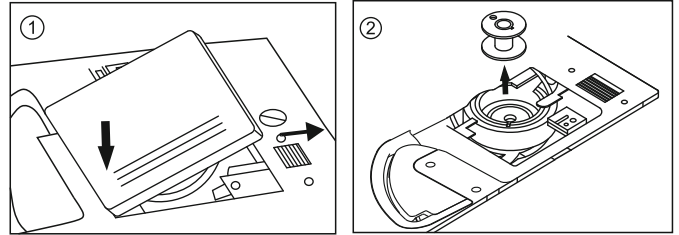


# THREADING THE MACHINE

## Bobbin Winding

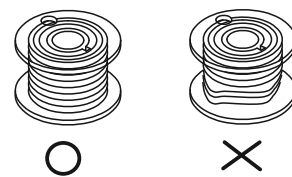
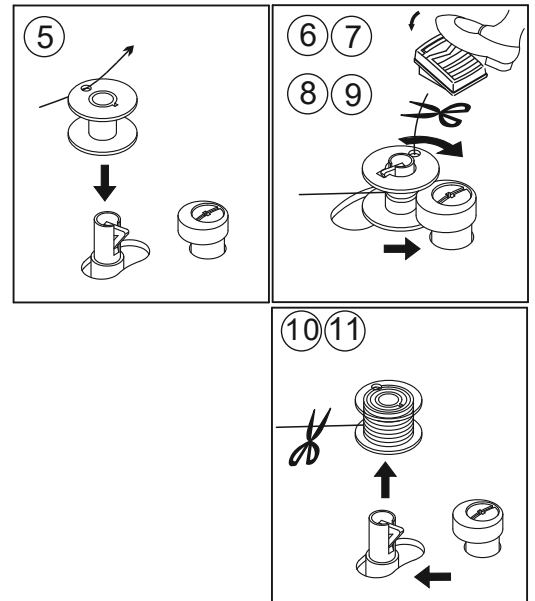
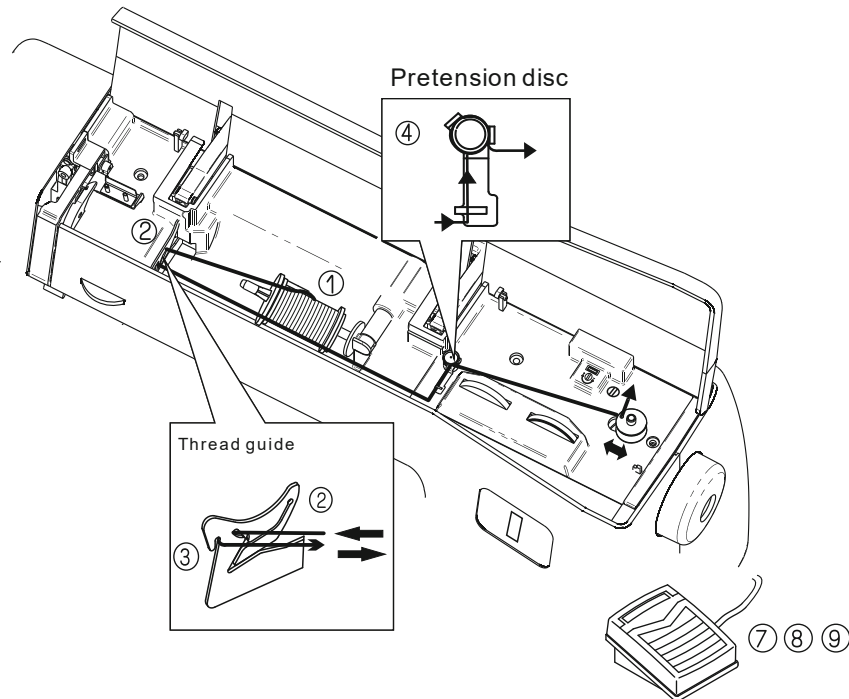
### REMOVING THE BOBBIN

1. Remove the bobbin cover by sliding the bobbin cover latch to right and push down the left lower corner of this cover at same time.
2. Remove the bobbin from the machine.



### WINDING THE BOBBIN

1. Place a spool of thread onto the spool pin with thread winding off counterclockwise and slide the appropriate spool cap on spool pin until it's against the spool of thread.
2. Pass thread through the thread guide as shown.
3. Pass thread through the bobbin winder thread guide.
4. Guide thread from bobbin winder thread guide through pretension disc as shown.
5. Insert thread through hole in bobbin from inside-out.
6. Place the bobbin on bobbin winder shaft and push to the right to engage bobbin winder.
7. Hold the end of thread and start the machine.
8. After the bobbin winds a few turns, stop the machine and cut the thread as close to the hole as possible.
9. Start the machine again by pressing foot control and wind bobbin at medium speed.
10. The bobbin winding will stop when bobbin is full.
11. Push the bobbin and shaft to the left. Remove the bobbin from the shaft and cut the thread.



### CAUTION

- If the spool of thread is not correctly placed, the thread may tangle on the spool.
- Make sure you follow the instructions carefully. If you do not cut the excess thread completely before winding the bobbin, when the bobbin thread runs low it may tangle around the bobbin and cause the needle to break.



Use a bobbin that has been correctly wound with thread, otherwise the needle may break or the thread tension will be incorrect.

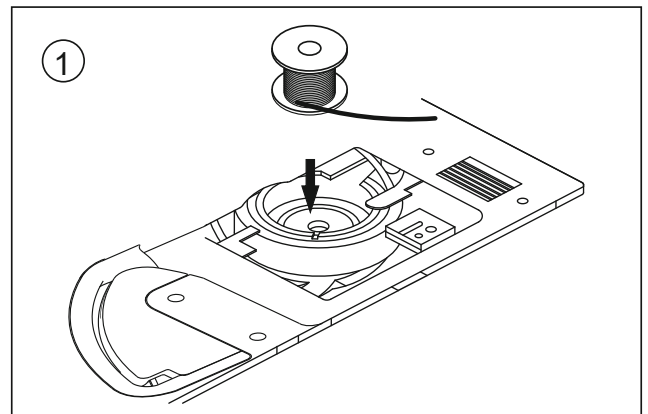


## Lower Threading

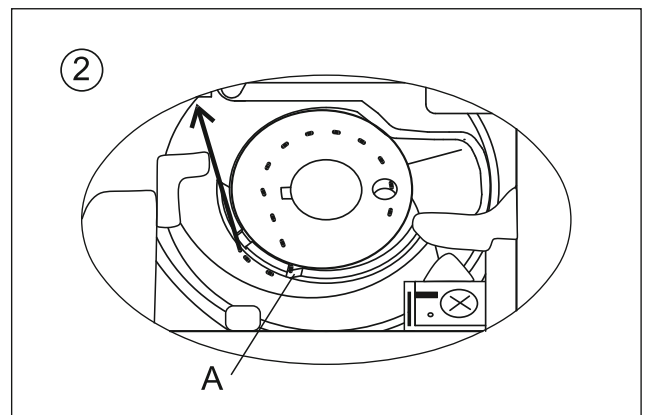
### INSERTING THE BOBBIN

1. Insert the bobbin into bobbin case with the thread unwinding counterclockwise.

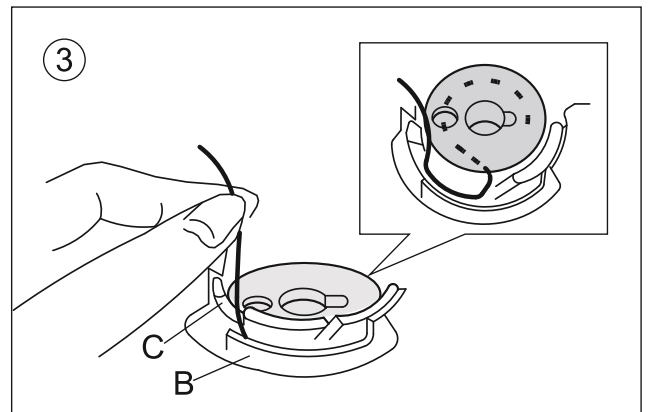
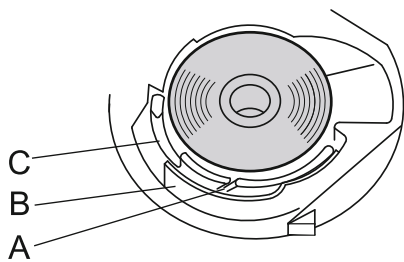
**Note**  
This machine uses Class 15 bobbins. To purchase additional bobbins, please see your Baby Lock retailer.



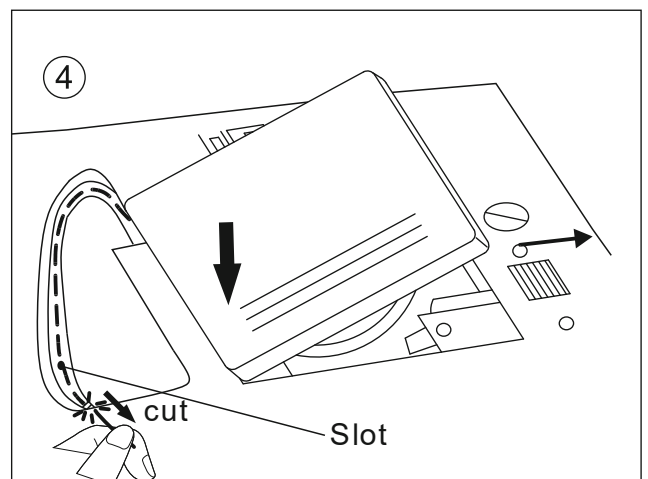
2. Draw thread into notch (A).



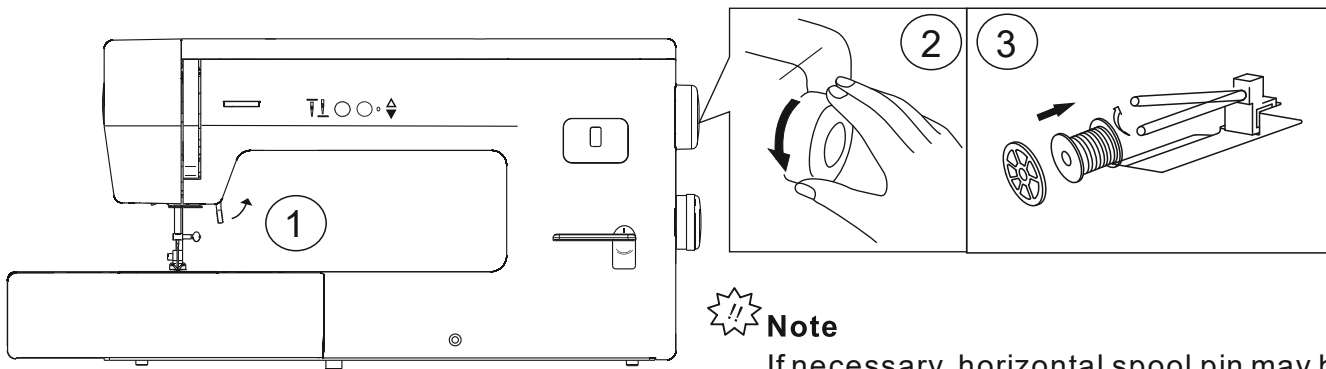
3. Pull thread toward the left and along the inside of spring (B) until it slips into notch (C) being sure that thread does not slip out of notch (A).



4. While lightly holding down bobbin with your right hand, guide the thread through the slot, pull the thread toward you to cut it with cutter as shown, and then replace the bobbin cover and close.



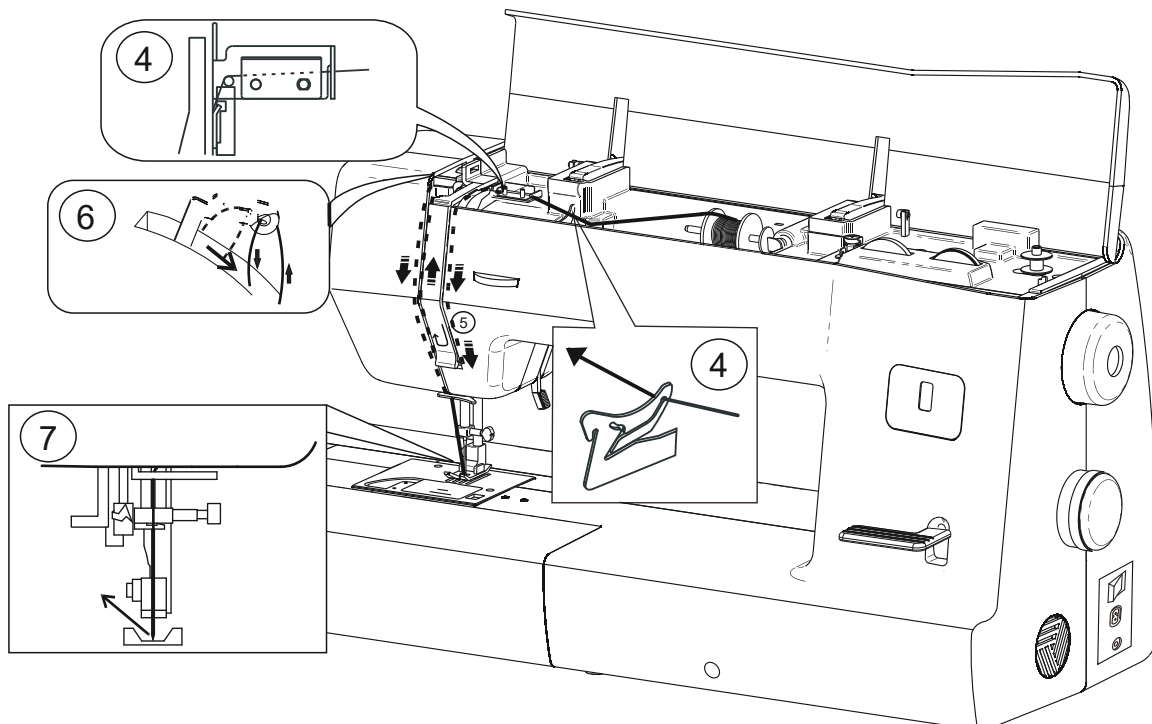
## Upper Threading



### Note

If necessary, horizontal spool pin may be raised so it can be used in a vertical position.

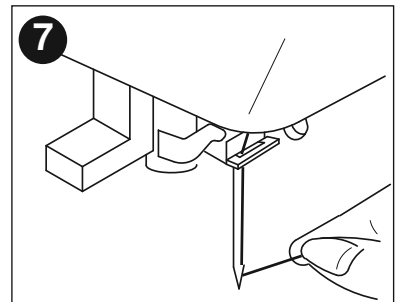
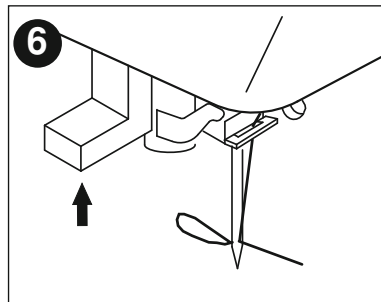
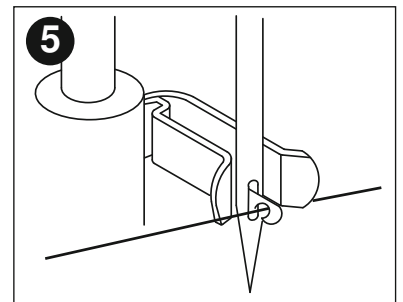
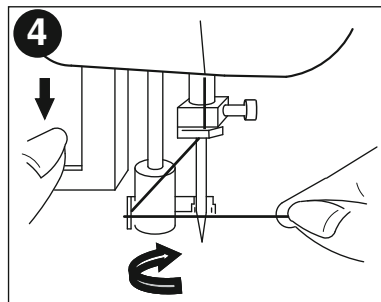
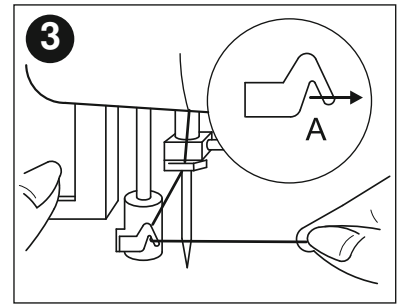
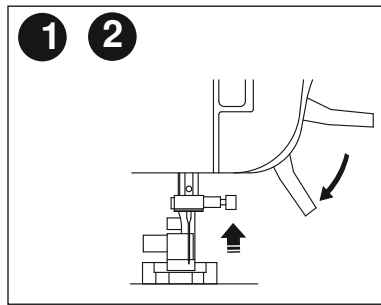
- 1 Raise presser foot lever.
- 2 Rotate the handwheel toward you to raise the take-up lever into the highest position.
- 3 Place a spool of thread onto the spool pin and secure with proper size spool cap.
- 4 Pass the thread under thread guide and around pretension disc for upper threading.
- 5 Bring thread forward and down the right channel, then to the left and up the left channel.
- 6 Pull the thread through and into the take-up lever from right to left.
- 7 Pass the thread down the left channel and into the lower thread guide. Slide the thread from right to left into the thread guide on the needle clamp.
- 8 Thread the needle from front to back or follow directions for using the needle threader. (Please refer to page 13)



## Using Needle Threader

### NEEDLE THREADER

- 1 Lower the presser foot.
- 2 Set needle in highest position by pressing the needle Up/Down button.
- 3 Lower the threader slowly and draw thread through thread guide(A) and pull toward the right.
- 4 Lower the lever as far as it will go so the threader turns and the hook pin will go through the needle eye.
- 5 Position thread below the needle eye and under the hook pin.
- 6 Hold thread loosely and release the lever. Hook will turn and pass thread through needle eye while making a loop.
- 7 Raise presser foot and pull thread out about 10 inches from needle eye.  
Note: The needle threader is used for needle sizes 11, 12, 14 and 16.

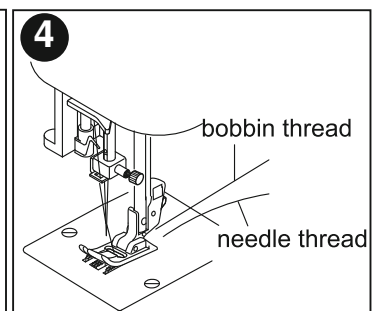
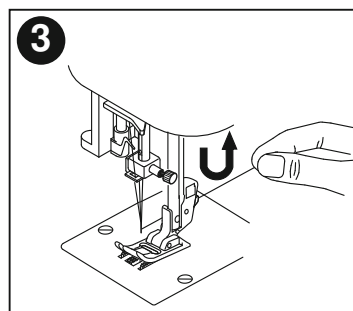
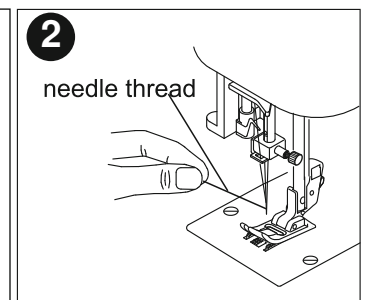
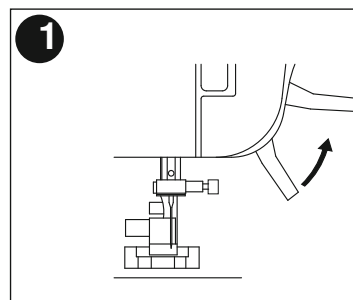


**CAUTION: To prevent accidents.**

Do not lower the threader lever while machine is operating.

## Drawing Up the Lower Thread

- 1 Raise the presser foot lever.
- 2 Hold the needle thread loosely with your left hand and press the Needle Up/Down button so that the needle goes down into the needle plate and back up into the highest position.
- 3 Lightly pull the top thread upward until a loop of bobbin thread comes up.
- 4 Grasp the bobbin thread and pull both top and bobbin threads under the presser foot and to the back leaving about 5 inches of thread.



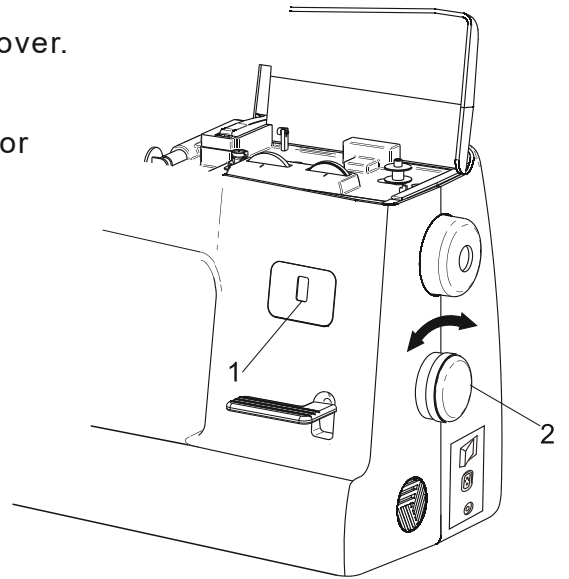
# CONTROLS

## Pattern Selection Dial and Indicator

The stitch patterns are printed on the inside of the machine's top cover.

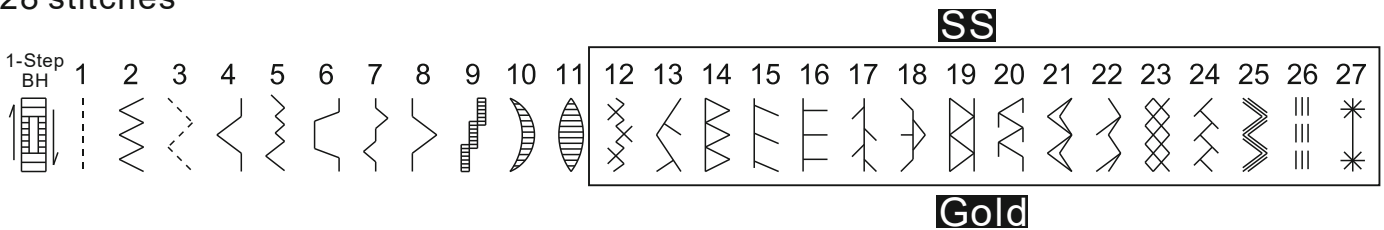
To choose a stitch, simply turn the pattern selection dial in either direction until the desired stitch is shown within the Pattern Indicator window.

**CAUTION** When you use the pattern selection dial to choose a pattern, turn the handwheel toward you (counterclockwise) to set the needle in the highest position. If the needle is in down position when you turn the pattern selection dial, the needle, presser foot or fabric may be damaged.



① Pattern Indicator  
② Pattern Selection dial

### 28 stitches



**Memo** : Perfect setting of Stretch Stitch

Stitch Length Dial: **Gold 4**

Stitch Width Dial: **Gold 7**

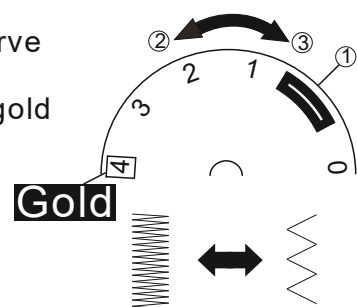
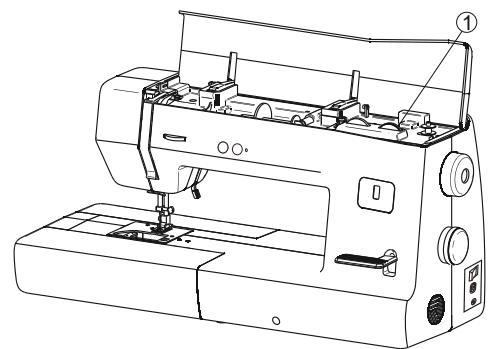
## Stitch Length Dial

Depending on the selected stitch, you may need to adjust the stitch length for best results.

The numbers marked on the stitch length dial represent the stitch length in millimeters (mm) (1/25 inch). THE HIGHER THE NUMBER, THE LONGER THE STITCH. With the "0" setting, material will not feed. This is used when sewing a button.

The **Gold** range is for making a satin stitch, which is used for making buttonholes and few decorative stitches. The position needed for making the satin stitch varies according to the material and thread being used. To determine the exact dial position, first test the stitch and length settings on a scrap piece of fabric to observe the feeding of the material.

When you desire to sew stretch stitches (**SS**) turn stitch length to gold 4 for perfect setting.

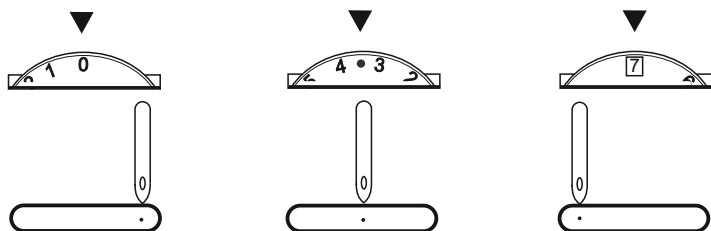


① Stitch length dial  
② Shorter  
③ Longer

**CAUTION** If the stitches are bunched together, lengthen the stitch length and continue sewing. Do not continue sewing without lengthening the stitch length, otherwise the needle may break and damage machine or cause personal injury.

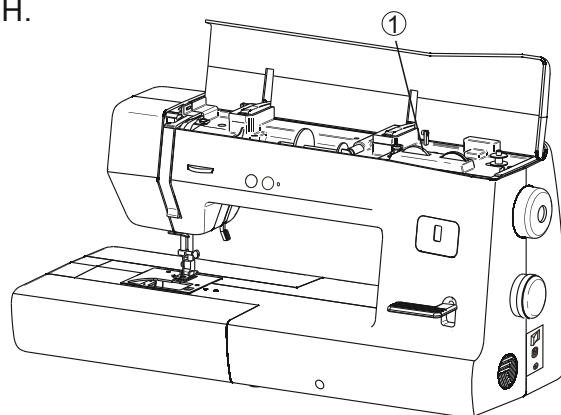
## Stitch Width Dial

The numbers marked on the dial represent the stitch width. THE HIGHER THE NUMBER, THE WIDER THE STITCH.



### Note

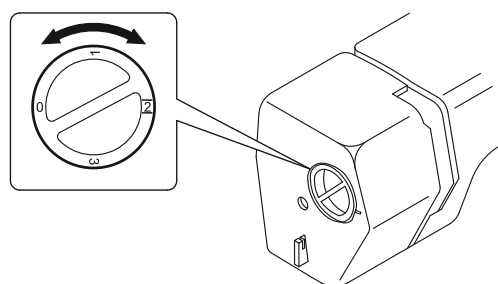
When the Straight or Triple Stretch Stitch is selected, the needle position can be changed from right to left by adjusting the stitch width dial.



① Stitch Width Dial

## Presser Foot Pressure Adjustment Dial

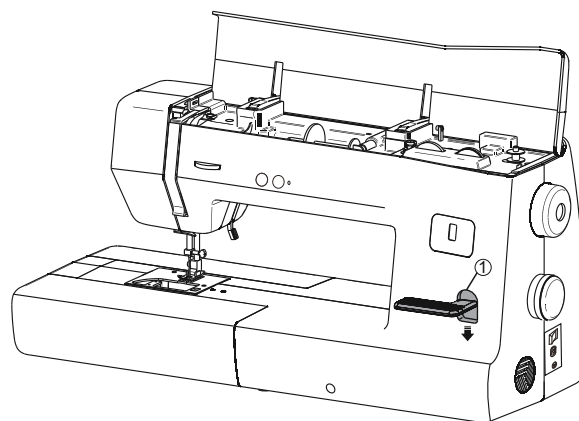
You can adjust the presser foot pressure (the amount of pressure applied to the fabric with the presser foot) by adjusting the Presser Foot Pressure Adjustment Dial. The higher the number, the greater the pressure will be. Set the pressure at "2" for normal sewing.



## Reverse Sewing Lever

You can use reverse sewing for back tacking and reinforcing seams.

To sew in reverse, push the reverse sewing lever down as far as possible and hold it in that position while you lightly push the foot controller. To sew forward, release the reverse sewing lever. The machine will then sew forward.



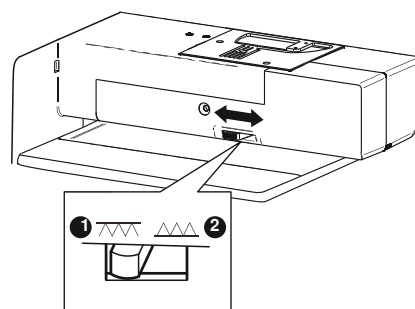
① Reverse Sewing Lever

## Drop Feed Dog Lever

The feed dog should be up for all general sewing. Lower the feed dog for free motion darning, embroidery, monogramming and stipple quilting. When the feed dog is lowered, you must move the fabric as you sew.

① To lower the feed dog, slide flat bed attachment toward left and then slide the lever to the left.

② To raise the feed dog, slide the lever to the right.

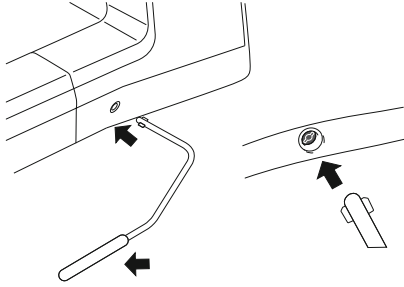


Note: Feed dog will raise once a stitch is completed or by turning handwheel toward you.

## Knee Lifter

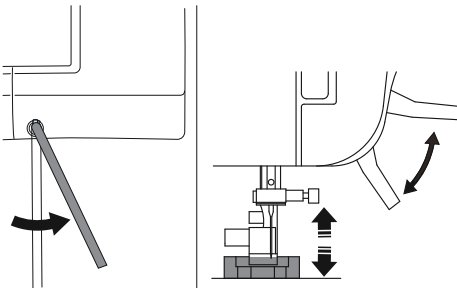
Using the knee lifter, you can raise and lower the presser foot with your knee, leaving both hands free to handle the fabric.

- 1 Align the tabs on the knee lifter with the notches in the knee lifter mounting slot on the front of the machine. Insert the knee lifter bar as far as possible.



**Note**  
If the knee lifter bar is not pushed into the mounting slot as far as possible, it may come out during use.

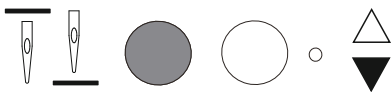
- 2 Lower presser foot lever.
- 3 Use your knee to move the knee lifter to the right in order to raise the presser foot. Release the knee lifter to lower the presser foot.



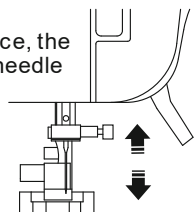
### CAUTION

- Be sure to keep your knee away from the knee lifter during sewing. If the knee lifter is pushed during machine operation, the needle may break or thread tension may loosen.

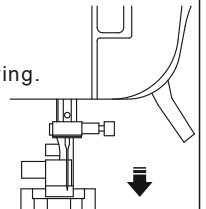
## Needle Position Control Button



When you press Needle position button once, the needle is in upper position. Press it again, needle is in lower position.



- When you press needle stop position button, the LED light indicates the needle position is stopped at lower position automatically when you stop sewing.
- When you press needle stop position button, and the LED light is off, it indicates the needle position is stopped at upper position automatically when you stop sewing.

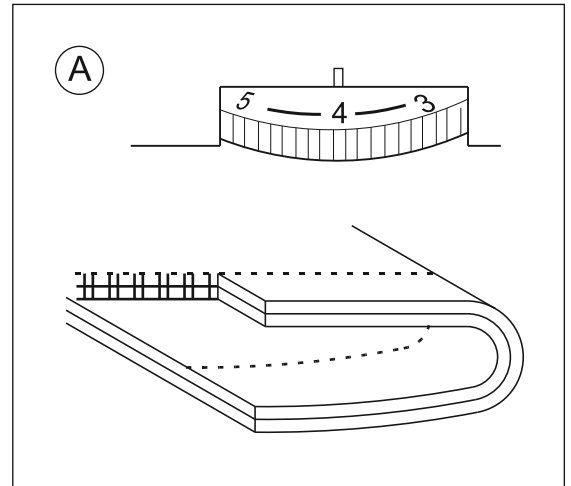


# SETTING THE THREAD TENSION

The thread tension must be properly balanced. If adjustment is required, this should be made by changing the upper thread tension.

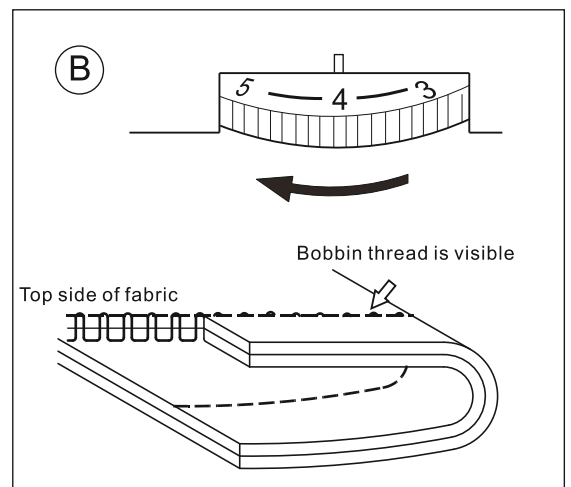
## A. Correct Thread Tension

Upper and bobbin threads should interlock approximately in the middle of fabric.



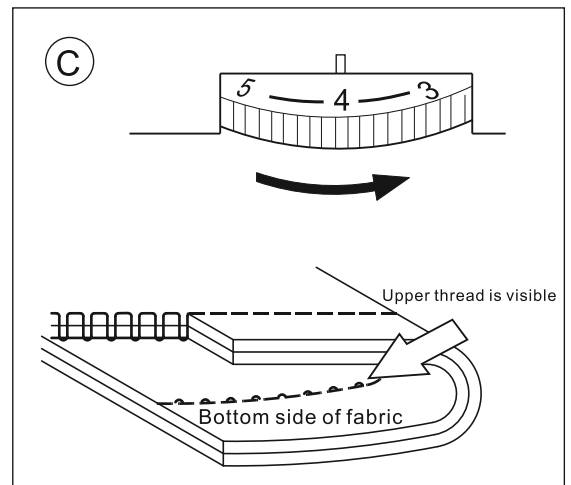
## B. When bobbin thread appears on top side of fabric.

Turn the tension dial to a lower number to decrease the upper thread tension.



## C. When upper thread appears on the bottom side of fabric.

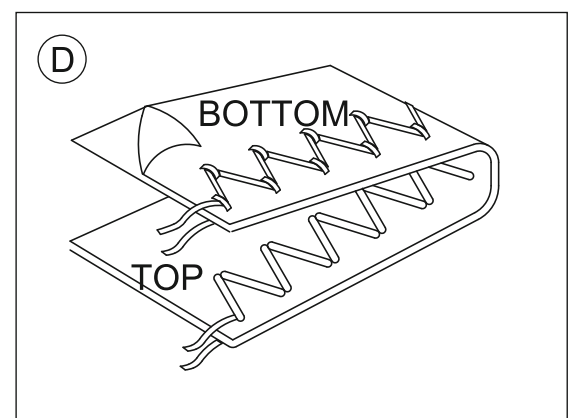
Turn the tension dial to a higher number to increase the upper thread tension.



## D. Thread Tension for Zigzag Stitches

To sew zigzag stitches, the upper thread tension should be set to a slightly weaker tension than when sewing straight stitches.

You will obtain a nicer stitch when upper thread appears slightly on bottom side of fabric.

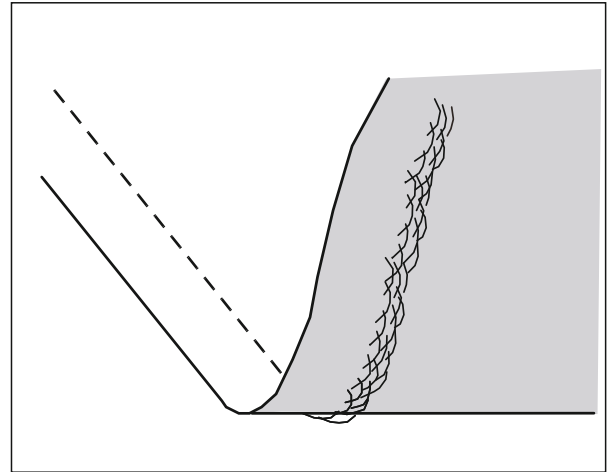




# FABRIC, THREAD AND NEEDLE COMBINATIONS

## • Helpful Hint

Like shown in drawing, stitches on top side of fabric are good but bottom side tends to have a bunch of thread, it usually means that the upper thread is not threaded correctly or thread tension regulator may not be set correctly. Refer to page 12 for correct upper threading.



**CAUTION: To prevent accidents.**

The feed dog will feed the fabric automatically. Do not pull or push on fabric with hands. It will cause needle breakages or poor quality stitches.

## FABRIC, THREAD AND NEEDLE TABLE

Needle system	Needle size											
	5	7	8	9	10	11	12	13	14	16	18	
Ha×1												
System 705	45	55	60	65	70	75	80	85	90	100	110	

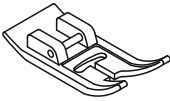
Select size of thread and needle in accordance with fabric to be sewn.

Type of Fabric	Thread Size	Needle Size
<ul style="list-style-type: none"> <li>● Lightweight Fabric -thin georgette, organdy, viole, taffeta, silk, etc.</li> </ul>	Ctn.# 80 - 100 Silk 60 - 80 Syn. 80 - 100	70/10-75/11 70/10-80/12
<ul style="list-style-type: none"> <li>● Medium Weight Fabric-gingham, pique, linen, cotton, satin, thin corduroy, velvet.</li> </ul>	Ctn.# 50- 80 Silk 50 Syn. 50 - 80	80/12-90/14
<ul style="list-style-type: none"> <li>● Heavyweight Fabric-gabardine, tweed, denim, corduroy</li> </ul>	Ctn.# 40 -50 Silk 50 Syn. 50 - 60	90/14-100/16
<ul style="list-style-type: none"> <li>● Stretch Fabric-double knit, tricot, spandex, jersey</li> </ul>	Ctn.# 50 - 80 Silk 50 Thread for knit	80/12-90/14 Needle for knit and synthetic fabric

To change needle, see page 9.



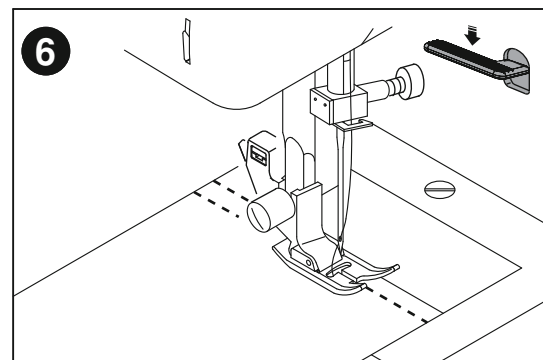
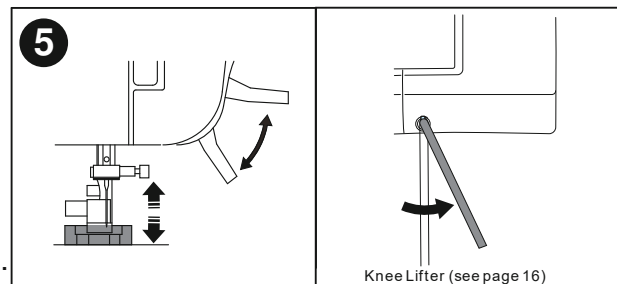
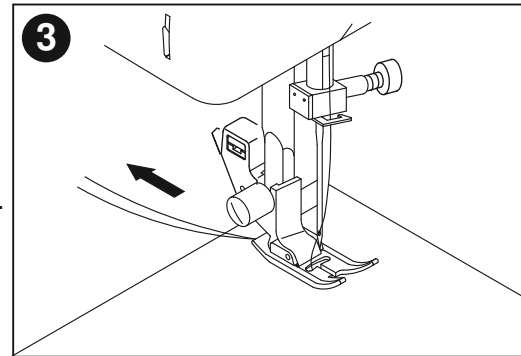
# STRAIGHT STITCH SEWING

Stitch Name	Pattern	Stitch Length Dial [mm(inch)]	Stitch Width Dial [mm(inch)]	All Purpose Foot
Straight Stitch	1 ⋮	0-4 (0-3/16)	0-7* (0-1/4)	

\*The stitch width dial has multi-functions depending on stitch selected. Turn the stitch width dial to adjust the needle position. Setting the dial to 0 selects the right needle position; setting the dial to 7 selects the left needle position; setting dial between 0-7 determines the needle position.

## ■ Starting to sew

- 1 Set the pattern selection dial to the Straight Stitch pattern.  
**Note:** By turning the pattern selection dial you are able to choose your desired stitch pattern.
- 2 Raise the needle to its highest position and lift the presser foot lever.
- 3 Guide the upper and bobbin threads under the presser foot and toward the back of the machine.
- 4 Place the fabric under the presser foot and position the needle 1cm (3/8 inch) from the edge of the fabric.
- 5 Lower the presser foot.
- 6 To back tack, push down the reverse sewing lever as far as possible, and then press the foot controller to start reverse sewing. Release the foot controller to stop sewing.
- 7 Release the reverse sewing lever and start sewing in the forward direction by pressing the foot controller.

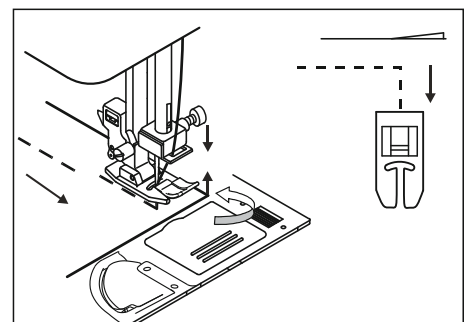


## ⚠ CAUTION

- Make sure the needle does not hit a pin or any other object during sewing. The thread could tangle or the needle could break, causing damage to machine or personal injury.

## ■ Changing Sewing Direction

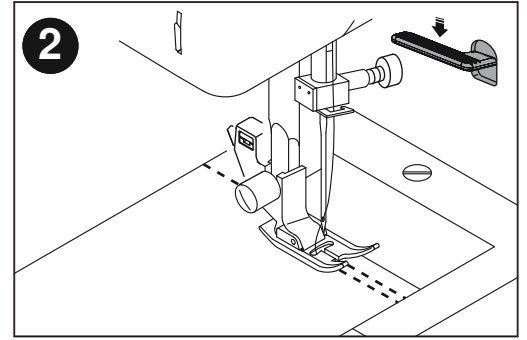
- 1 Stop the machine at point where you want to change direction with the needle still in the fabric.
- 2 Raise the presser foot and turn the fabric to its new direction using the needle as a pivot.
- 3 Lower the presser foot and start sewing in the new direction.



## ■ Finishing Sewing

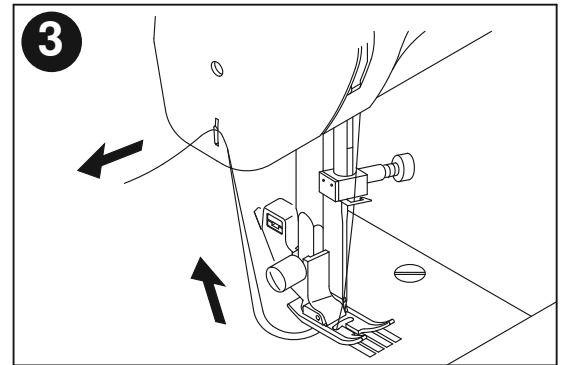
You can use stitches to lock the threads at the end of the seam.

- 1 To lock stitches, stitch to the end of seam and stop.
- 2 Push down on the reverse sewing lever and stitch backwards for 1 cm (3/8 inch) from the fabric edge.



## ■ Removing the Material from the Machine

- 1 Stop the machine.  
Raise the needle to its highest position and make sure that the thread take-up lever is also in its highest position.
- 2 Lift the presser foot and pull the fabric out gently to the left side of the machine.
- 3 Cut both threads with the thread cutter on the left hand side of the machine.

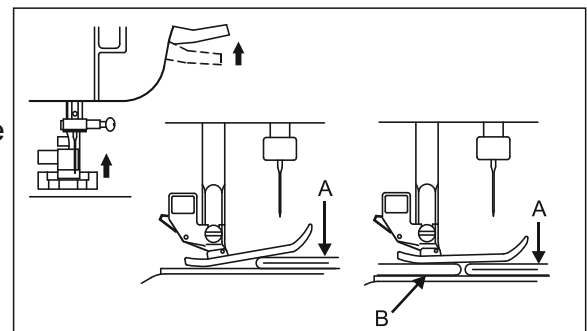


## ■ Sewing Heavy Fabric


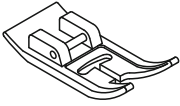
When sewing heavy fabrics, the front of presser foot tends to lift up and sewing will hesitate at the point where the fabric is thicker, such as a cross seam. In this case, place a piece of cardboard or fabric of same thickness under the rear section of the presser foot to level presser foot.

The presser foot lever can be raised 1 step higher for placing heavy materials under the presser foot easily.

Careful guide the fabric with your hand when sewing over thick fabric areas.

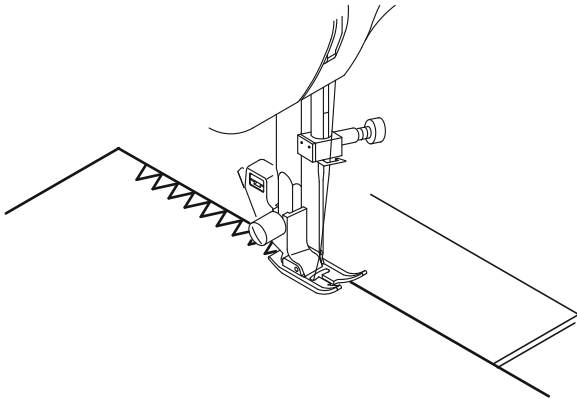


## ZIGZAG STITCH SEWING



Stitch Name	Pattern	Stitch Length Dial [mm(inch)]	Stitch Width Dial [mm(inch)]	All Purpose Foot
Zigzag Stitch	2 	0-4 (0-3/16)	0-7* (0-1/4)	

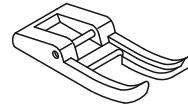
### ■ Zigzag Stitch

- 1 Turn the pattern selection dial to the Zigzag stitch, and then start sewing.



### ■ Satin Stitch

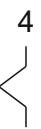

Setting the Zigzag Stitch length in the  range produces a satin stitch. The Satin stitch can be used for making buttonholes and a few decorative stitches. Set the pattern selection dial to the zigzag stitch, set the stitch length dial in the  range, and set the stitch width dial between 0 and 7.

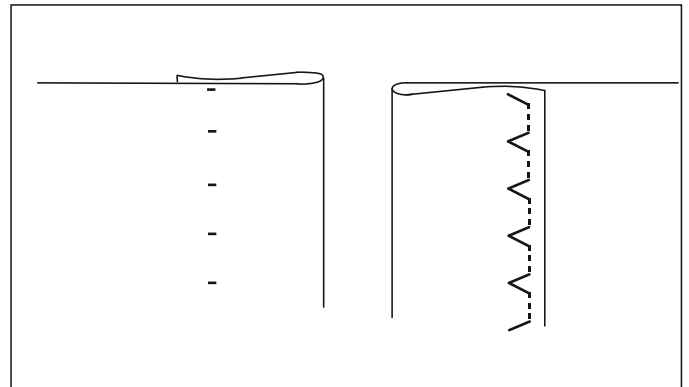


Open Toe Foot

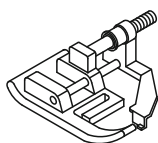


## BLIND HEM STITCH SEWING

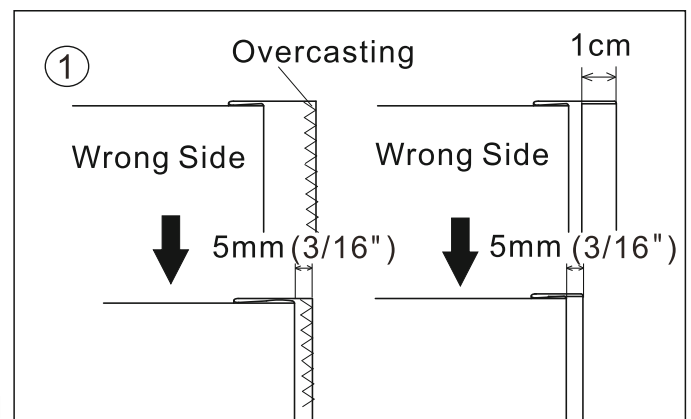
Stitch Name	Pattern	Stitch Length Dial [mm(inch)]	Stitch Width Dial [mm(inch)]
Blind Hem Stitch	4 	1-4 (1/16-3/16)	5-7* (3/16-1/4)
Blind Hem Stretch Stitch	5 	1-4 (1/16-3/16)	5-7* (3/16-1/4)



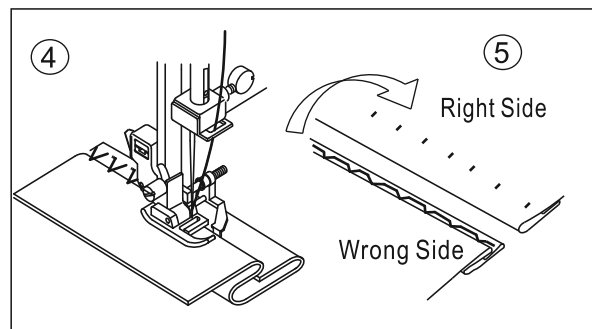
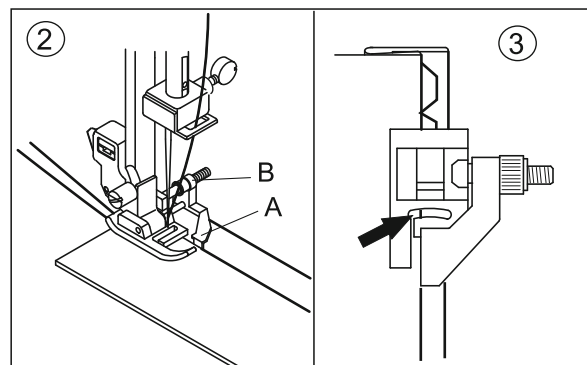
### Using the Blind Hem Foot



- 1 Fold the fabric as shown on drawing; leaving 5 mm (approximately 3/16 inch) extended past the folded edge.



- 2 The guide (A) on the blind hem foot ensures even feeding of the fabric when blind hem stitching. The guide (A) is adjusted by turning the adjusting screw (B).
- 3 Place fabric so that the straight stitches are on the extended hem edge and the zigzag stitches just catch one thread of the folded edge. Turn the screw so that the guide barely touches the folded edge of fabric.
- 4 Lower the presser foot and sew hem, guiding fabric evenly along the guide.
- 5 Turn the fabric over when you have completed sewing.



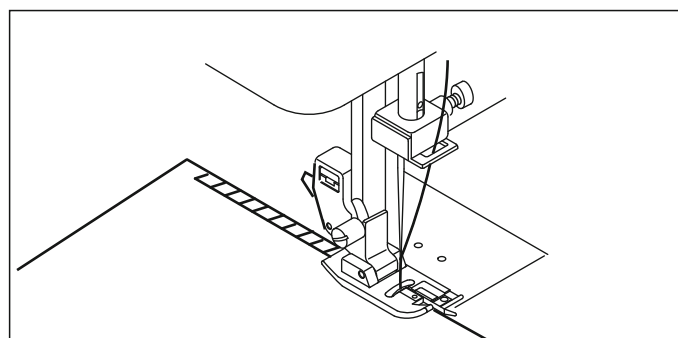
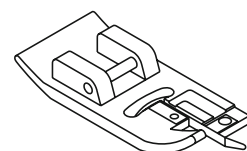
**Note**

- The Blind Hem Stretch Stitch is useful for stretch fabric.
- If too much of the stitching shows on the right side of the fabric, change to a narrower stitch width or move the guide on the foot to the right. If the zigzag does not meet the fold, widen the stitch width or move the guide on the foot to the left.

## OVERCASTING-OVERLOCKING

Stitch Name	Pattern	Stitch Length Dial [mm(inch)]	Stitch Width Dial [mm(inch)]
Overlock Stitch	14	SS Gold 4	SS Gold 7 5-7* (3/16-1/4)
Overcasting Stitch	15	SS Gold 4	SS Gold 7 5-7* (3/16-1/4)
Double-Overlock Stitch	19	SS Gold 4	SS Gold 7 5-7* (3/16-1/4)
Overcasting Stitch	8	0-2 (0-1/16)	5-7* (3/16-1/4)
Elastic Zigzag Stitch	3	0-2 (0-1/16)	5-7* (3/16-1/4)

### USING THE OVERCASTING FOOT

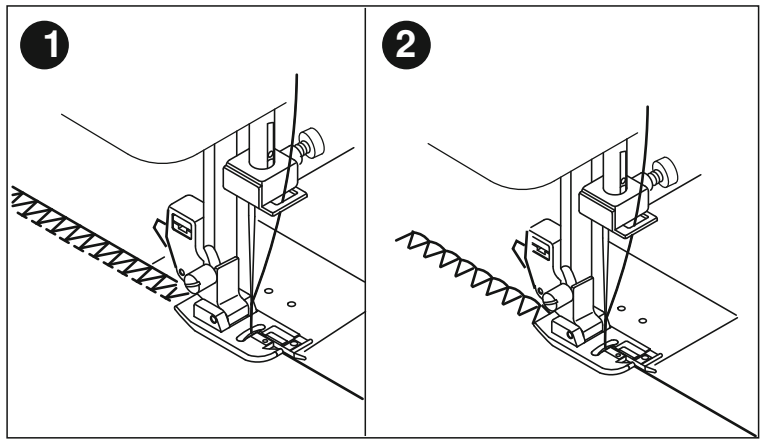


Position the fabric against the guide plate of the overcasting foot so that the needle falls near the edge of the fabric.

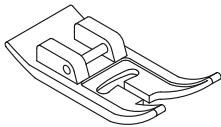
- 1 Some stitches can sew the seam and overcasting at the same time. Therefore, it is convenient for sewing easy to ravel and stretch fabrics.
- 2 Overcasting stitches (width 5.0-7.0) are used for preventing raveling of fabrics.

**CAUTION**

- Overcasting foot should be used for sewing pattern 14, 15, 19 only. Do not change the stitch width narrower than 5.0, or the needle could hit the presser foot and break when sewing other patterns and stitch widths.

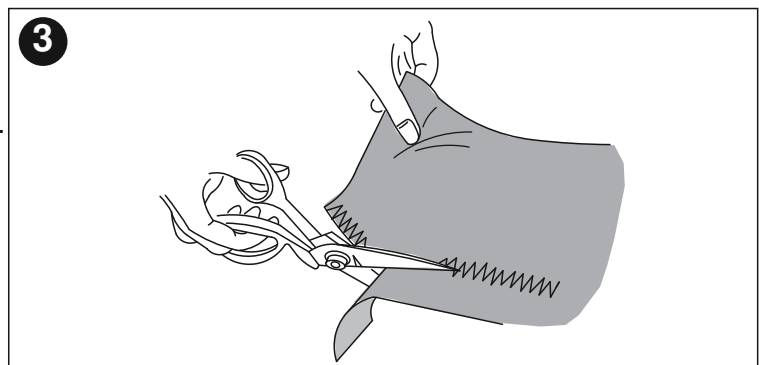
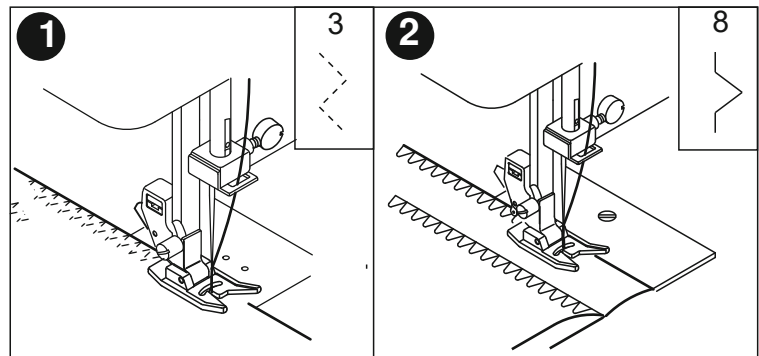


**USING THE ALL-PURPOSE FOOT**


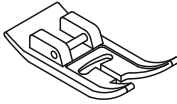


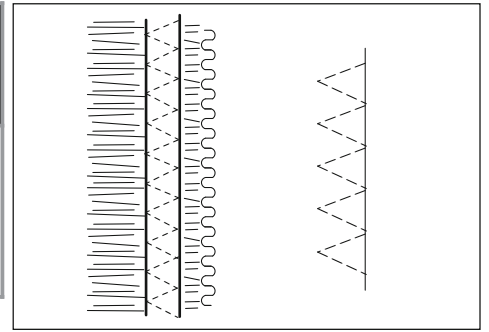
When using the all purpose foot, place the fabric so that the needle will fall near the edge of fabric.

- 1 Use a narrow zigzag width for lightweight fabrics.
- 2 Adjust the width and length for various weights of knit and stretch fabrics. (When using overcasting foot, do not change the width any narrower than 5.0mm.)
- 3 For allotted seam allowances, sew then trim the excess fabric close to the stitching. Be careful not to cut thread when cutting the fabric edge.



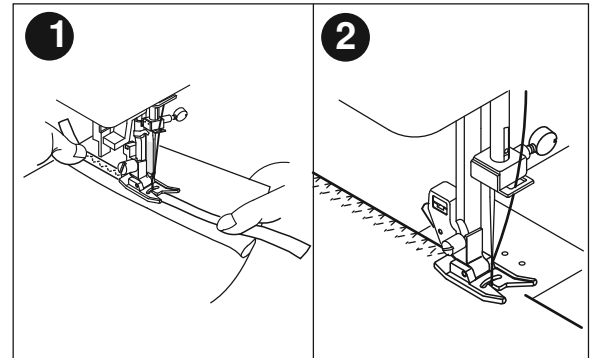
## MULTI-STITCH ZIGZAG

Stitch Name	Pattern	Stitch Length Dial [mm(inch)]	Stitch Width Dial [mm(inch)]	All Purpose Foot
Elastic Zigzag Stitch	3 	0-2 (0-1/16)	5-7* (3/16-1/4)	


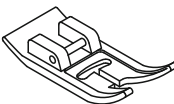

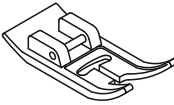


Used for sewing on elastic band and overcast stitching on knit fabrics.

- 1 Elastic Sewing**  
Stretch elastic in front and back of needle while sewing. Be careful not to bend needle while stitching.
- 2 Overcasting stitching**  
Used for easy to ravel and knit fabrics. Guide fabric so stitch on right side is at the edge on the fabric. (see page 22)

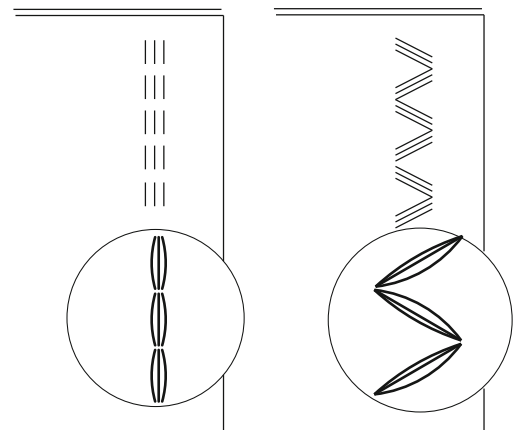


## STRETCH STITCH SEWING



Stitch Name	Pattern	Stitch Length Dial [mm(inch)]	Stitch Width Dial [mm(inch)]	All Purpose Foot
Triple Stitch	26 	<b>SS Gold 4</b>	<b>SS Gold 7</b> 3.5-7* (1/8-1/4)	
Rick-Rack	25 	<b>SS Gold 4</b>	<b>SS Gold 7</b> 3.5-7* (1/8-1/4)	

Stretch stitch sewing assures you of a stitch that is strong and flexible and will give with the fabric without breaking. Good for stretch or knit fabrics and seams that require flexibility. It is good for joining durable fabrics such as denims.

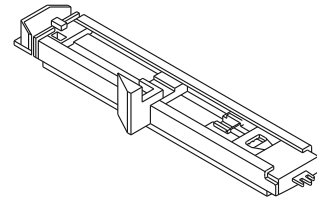
We recommend that you use a needle for knit and synthetic fabrics to prevent skipped stitches and thread breakages.



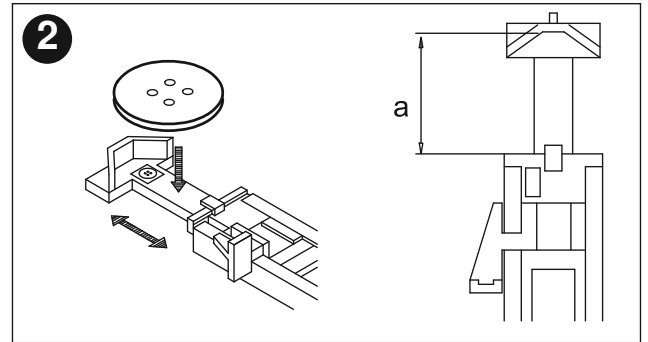
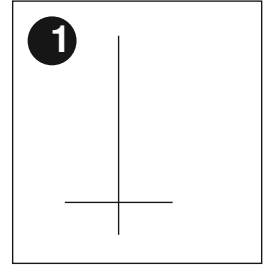
# SEWING BUTTONHOLES

Stitch Name	Pattern	Stitch Length Dial [mm(inch)]	Stitch Width Dial [mm(inch)]
Buttonhole	 1-Step BH	0-1  (0-1/16)	3.5-7* (1/8-1/4)

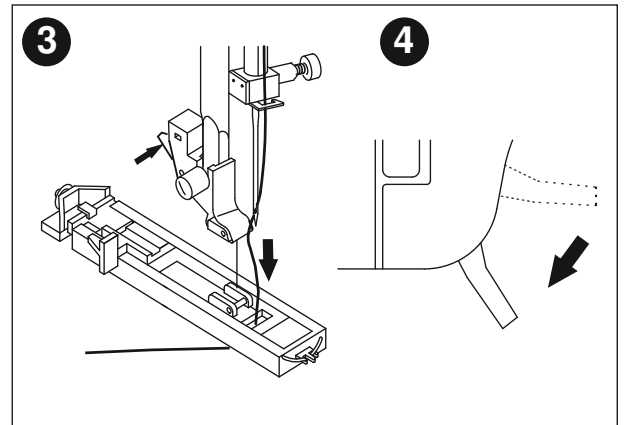
## Using the Buttonhole Foot



- 1 Mark position and length of buttonhole on fabric.
- 2 Set button on the base and slide base forward to secure button.  
\* If button does not fit on the base, adjust slide on base to diameter of button plus thickness of button.  
a = Length of button + thickness
- 3 Pass upper thread through the needle opening of buttonhole foot and attach buttonhole foot to machine. Bring upper and bobbin threads to the left under foot.
- 4 Position fabric under buttonhole foot so that the center line mark is in the center of the needle opening in the buttonhole foot. With the main part of the foot pushed to the back, lower the presser foot lever.
- 5 Pull the buttonhole lever down as far as possible and then **push the lever toward the back until it clicks.**

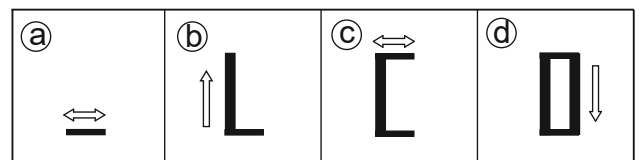
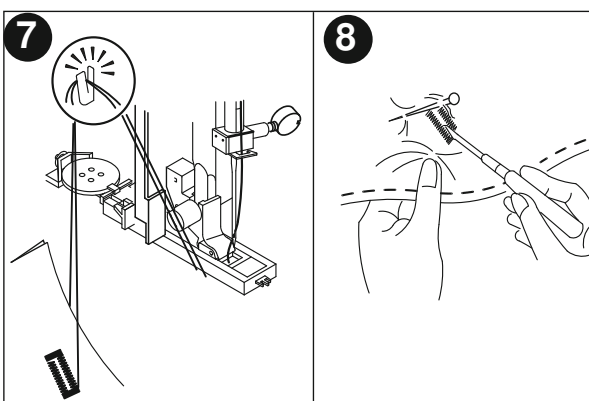
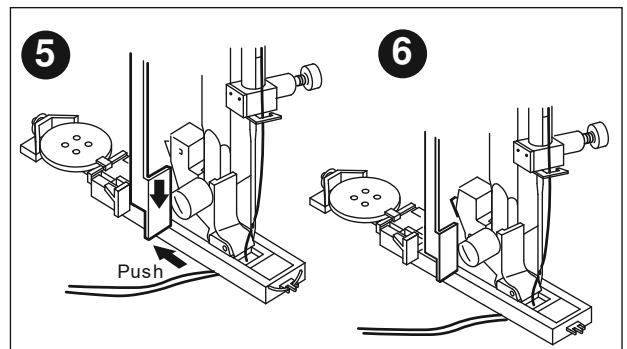


- 6 Hold upper thread lightly and start the machine. Stop sewing when right side of buttonhole is completed.



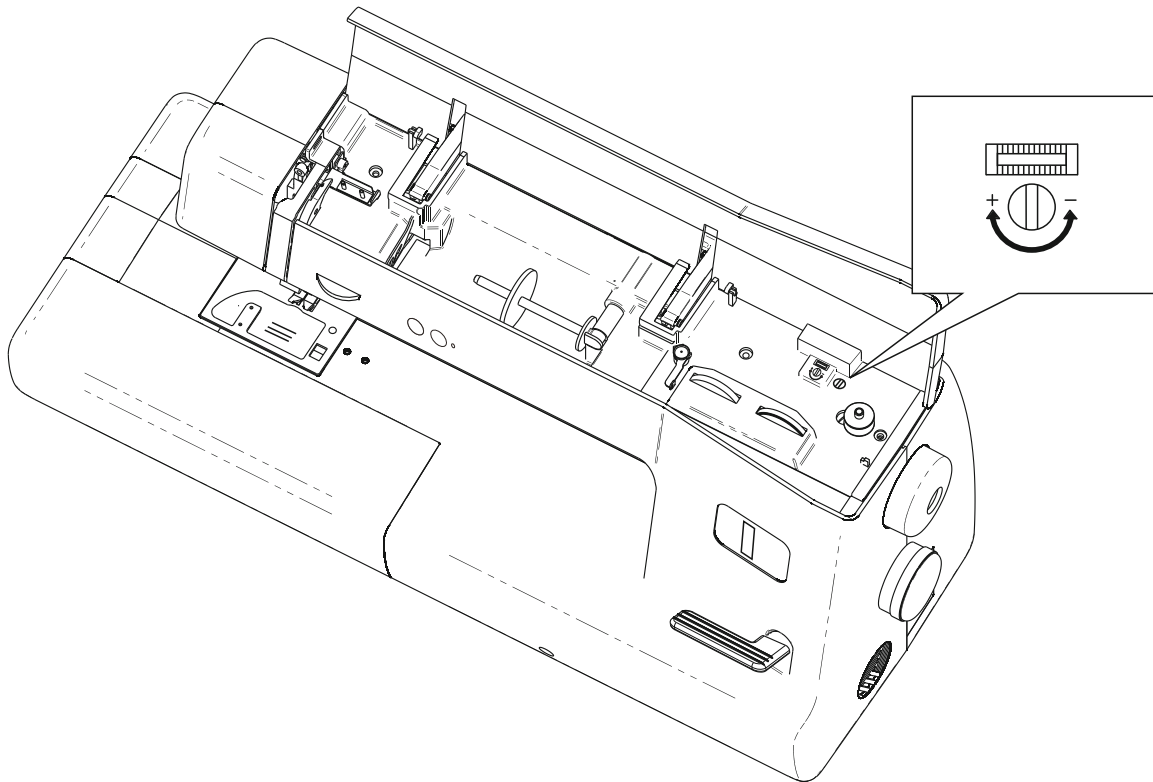
### Note

- Machine will not stitch properly if buttonhole lever is not lowered properly or buttonhole foot is not positioned correctly.
- 7 Raise the presser foot and cut threads. To sew same buttonhole, raise presser foot to return to buttonhole starting position.
  - 8 With buttonhole cutter, cut center of buttonhole being careful not to cut stitches on either side. Use a pin as a stopper.

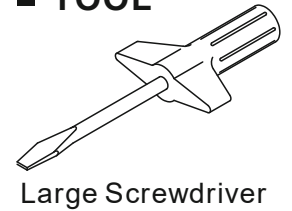


# BUTTONHOLE FINE TUNING

## BUTTONHOLE FINE TUNING ADJUSTMENTS

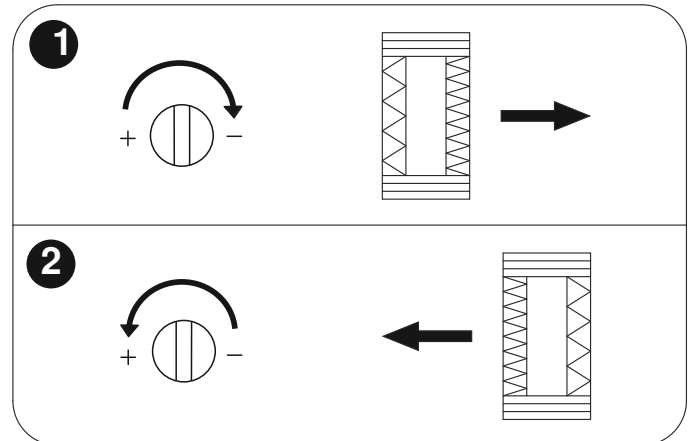


### ■ TOOL



Various types of fabric may have different stitching results when a buttonhole is sewn. The stitch density of the buttonhole's left or right side could be found to be unbalanced. The buttonhole fine tuning will allow you to make adjustments by slightly turning the screw with included large screwdriver.

- 1** If the stitch density on the buttonhole's right side is less than the left side, use the large screwdriver to turn the fine tuning screw slightly toward the right (clockwise). The increased density will appear on the right side of buttonhole (as shown).
- 2** If the stitch density on the buttonhole's left side is less than the right side, use the large screwdriver to turn the fine tuning screw slightly toward the left (counterclockwise). The increased density will appear on the left side of buttonhole (as shown).



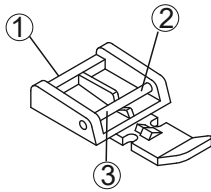


## INSERT ZIPPERS AND PIPING

Stitch Name	Pattern	Stitch Length Dial [mm(inch)]	Stitch Width Dial [mm(inch)]
Straight Stitch	1 ⋮	0-4 (0-3/16)	3.5 (center) (1/8)

You can use the zipper foot to sew different types of zippers, and can easily position it to the right or left side of the needle.

When sewing the right side of the zipper, attach the presser foot holder to the left pin of zipper foot. When sewing the left side of the zipper, attach the presser foot holder to the right pin of the zipper foot.



- ① Zipper Foot
- ② Right pin for sewing the left side of the zipper
- ③ Left pin for sewing the right side of the zipper

Align the right side or the left side of the zipper foot pin with the presser foot holder, lower the presser foot lever to attach the foot.

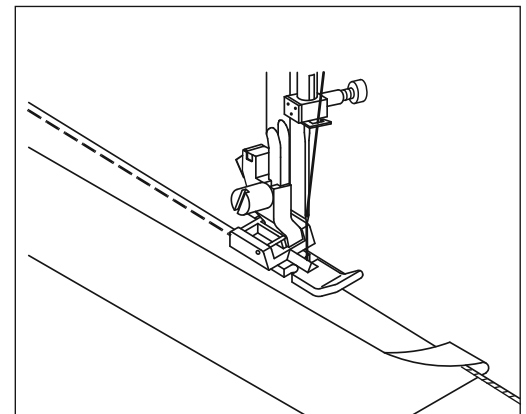
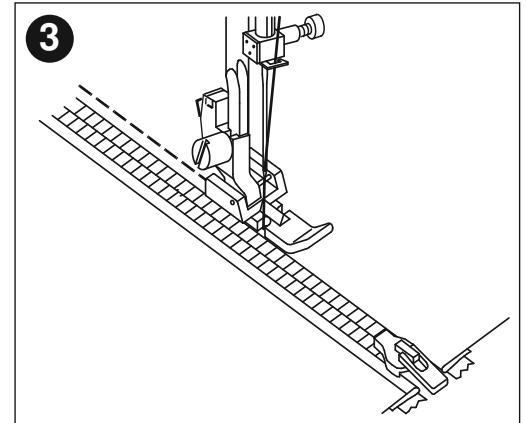
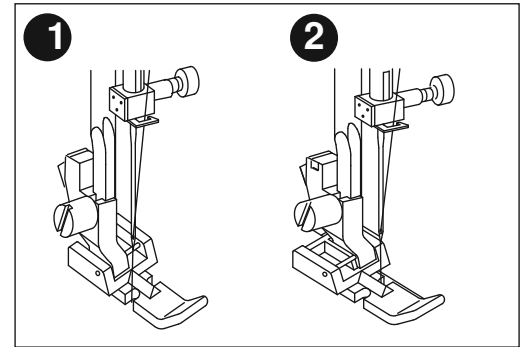
- ① Needle stitches to the left of foot.
- ② Needle stitches to the right of foot.
- ③ To insert zippers, consult the zipper package for instructions on how to prepare zipper placket and place zipper. To sew close to the zipper on the right side, snap the zipper foot onto the presser foot holder on the left side so the needle passes through the opening on the left side of the foot. Snap the foot onto the presser foot holder on the other side of foot to sew close to the left side of the zipper.

### PIPING

To insert piping, purchase pre-made piping or cover cording with a bias strip of fabric using the zipper foot snapped on to the right side of the presser foot holder. Place the piping between two layers of fabric. Stitch with the piping next to the foot, so the stitching is tight against the cord.

### CAUTION

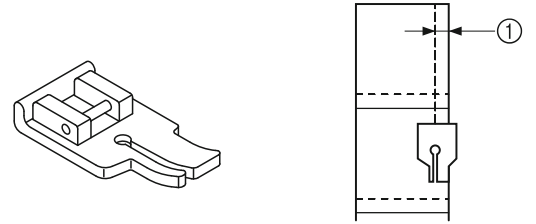
- Turn the handwheel by hand to make sure the needle does not hit the zipper foot before you start sewing. Choosing a different stitch will cause the needle to hit the presser foot and break, which may damage machine or cause personal injury.
- Make sure the needle does not hit the zipper during sewing. If the needle hits the zipper, the needle may break, which may damage machine or cause personal injury.



# STRAIGHT STITCH SEAMING AND QUILTING

Stitch Name	Pattern	Stitch Length Dial [mm(inch)]	Stitch Width Dial [mm(inch)]
Straight Stitch	1 ⋮	0-4 (0-3/16)	3.5 (center) (1/8)

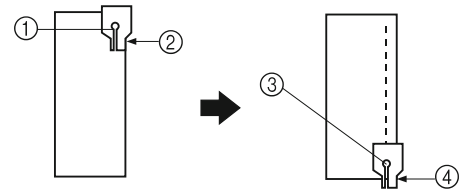
## Using the 1/4 Inch Quilting Foot



① Seam allowance 6.5 mm (1/4 inch)

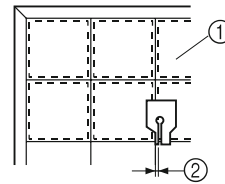
- 1 Set the pattern selection dial to the Straight Stitch. Set the stitch length between 0 (0 inch) and 4 (3/16 inch). Set the stitch width at 3.5 (1/8 inch)(center needle position).
- 2 Attach the 1/4 Inch Quilting Foot.
- 3 Position the presser foot over the fabric and sew as shown in the right side of illustration.

### ■ Achieving an accurate seam allowance



- ① Beginning of stitching
- ② Align this side of foot with the edge of the fabric
- ③ End of stitching
- ④ Align this side of foot with the edge of the fabric

### ■ Quickly Stitch together a Quilt



- ① Top of fabric
- ② Seam 3.2 mm (1/8 inch)

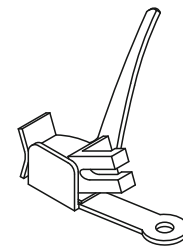
**CAUTION**

- Only use the Straight Stitch pattern when stitching with straight stitch foot or 1/4 inch quilting foot. Choosing a different stitch pattern will cause the needle to hit the presser foot and break, which may damage machine or cause personal injury.

## Darning/Free Motion Quilting

Stitch Name	Pattern	Stitch Length Dial [mm(inch)]	Stitch Width Dial [mm(inch)]
Straight Stitch	1 ⋮	0-4 (0-3/16)	3.5 (center) (1/8)

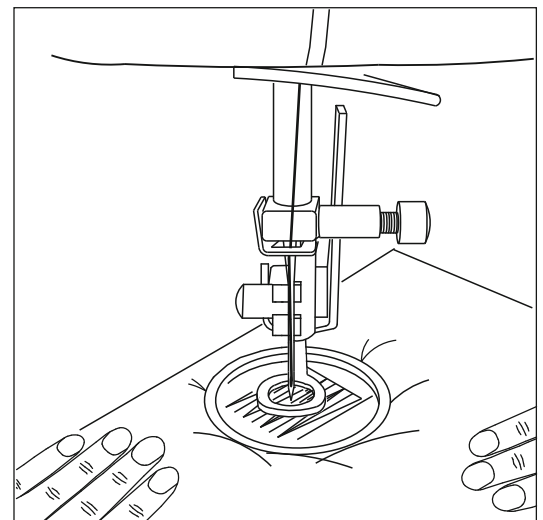
## Using Darning/Free Motion Quilting Foot



- Select straight stitch. Set needle in the center needle position.
- Using drop feed lever, lower feed dog.
- Remove the presser foot and presser foot holder. Screw the darning/free motion quilting foot onto the presser bar with the extended arm of the foot resting above the needle clamp screw.
- Holding the needle thread, take one stitch and pull up bobbin thread through the fabric.
- Lower presser foot lever and start sewing at a slow to medium speed, moving the fabric back and forth with a steady rhythm.
- Turn fabric and sew another layer of stitching across the first layer of stitching

**CAUTION**

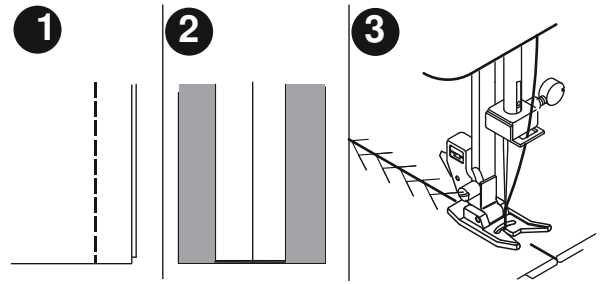
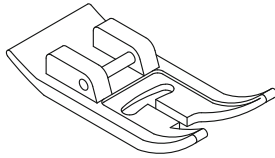
- When using darning/free motion quilting foot on machine with zigzag stitches do not set the stitch width any wider than 4.0. Otherwise needle may deflect and hit the darning/free motion quilting foot causing damage to machine or personal injury.



## Patch Work

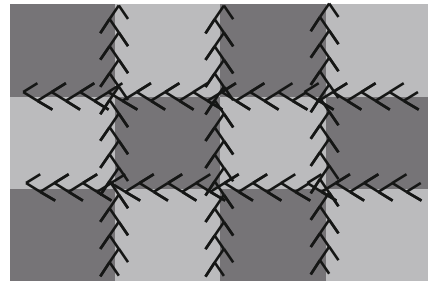
Stitch Name	Pattern	Stitch Length Dial [mm(inch)]	Stitch Width Dial [mm(inch)]
Feather Stitch	17 	SS Gold 4	SS Gold 7 3.5-7* (1/8-1/4)
Decorative Cross Stitch	23 	SS Gold 4	SS Gold 7 3.5-7* (1/8-1/4)
Fagoting Stitch	24 	SS Gold 4	SS Gold 7 3.5-7* (1/8-1/4)

### Using All Purpose Foot



For additional decorative purposes, use a variety of different fabrics.

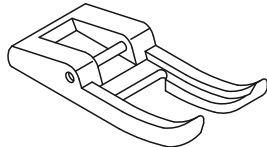
- 1 Place two piece of fabric right sides together and sew a basting stitch.
- 2 Press the seam open.
- 3 Place fabric right side up and stitch with the seam line in the center of the foot. Stitches should fall on both sides of the seam line.



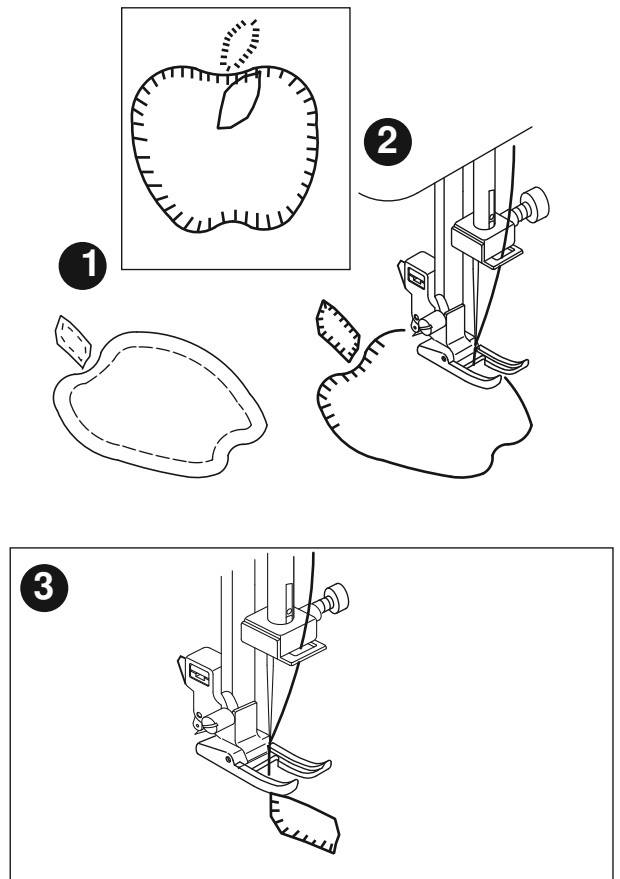
## APPLIQUE

Stitch Name	Pattern	Stitch Length Dial [mm(inch)]	Stitch Width Dial [mm(inch)]
Decorative Overcasting	15 	SS Gold 4	SS Gold 7 3.5-7* (1/8-1/4)
Decorative Applique	16 	SS Gold 4	SS Gold 7 3.5-7* (1/8-1/4)

### Using Open Toe Foot



- 1 Position the applique on fabric with fabric glue, fusible iron on stabilizer or basting stitches. (When using fabric with frayed edges for the applique, press under 1/4 inch on all the edges)
- 2 Sew along the edge of the applique. Align the straight part of the stitch with the edge of the applique to give this project a hand-made appearance.
- 3 When pivoting corners, lower the needle in the left side of stitch. Raise the presser foot and use the needle to pivot and turn the fabric.



# SCALLOP STITCH

Stitch Name	Pattern	Stitch Length Dial [mm(inch)]	Stitch Width Dial [mm(inch)]	Open Toe Foot	All Purpose Foot
Scallop Stitch	10 	0-1 (0-1/16)	3.5-7* (1/8-1/4)		

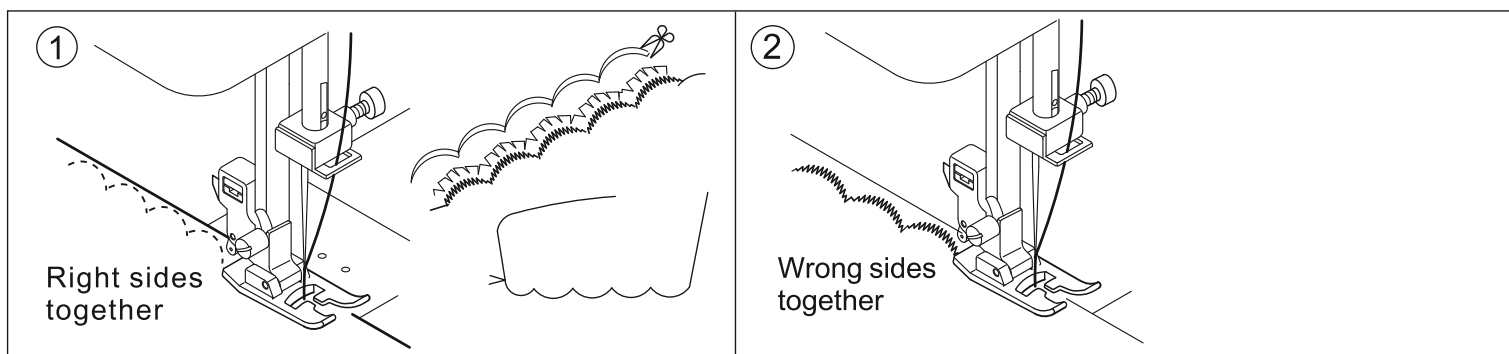
These stitches are used to sew a decorative edging on garments and table cloths using the Open Toe Foot or the All Purpose Foot.

## 1 SCALLOP HEM

- (1) Fold the fabric with right sides together and sew near the edge.
- (2) Cut the fabric along the seam leaving an allowance of 3 mm (1/8") for seaming. Notch the allowance.
- (3) Turn fabric with right sides out and gently push out the curved seam then press.

## 2 DECORATIVE SCALLOP EDGE

- (1) Place the fabric with wrong sides together and stitch near the edge.
- (2) Trim along the outside edge of the stitching; being careful not to cut the stitching.
- (3) Use seam sealant or fabric glue to secure edges of the scallop stitching.



# TWIN NEEDLE SEWING

## Using Twin Needles

With the twin needle, you can sew parallel lines of the same stitch with two different colored threads. Both upper threads should have the same thickness and quality. Use the vertical spool pin and spool pin felt. (Refer to page 7)



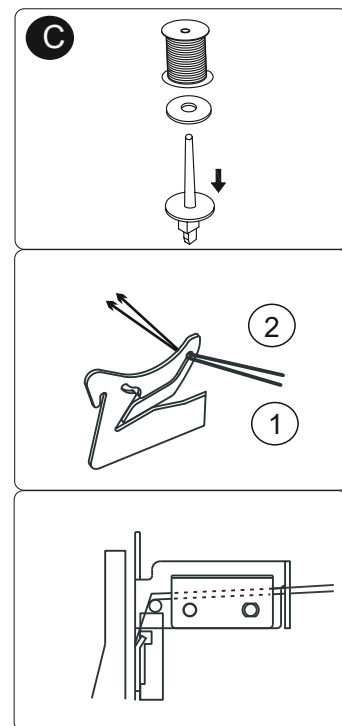
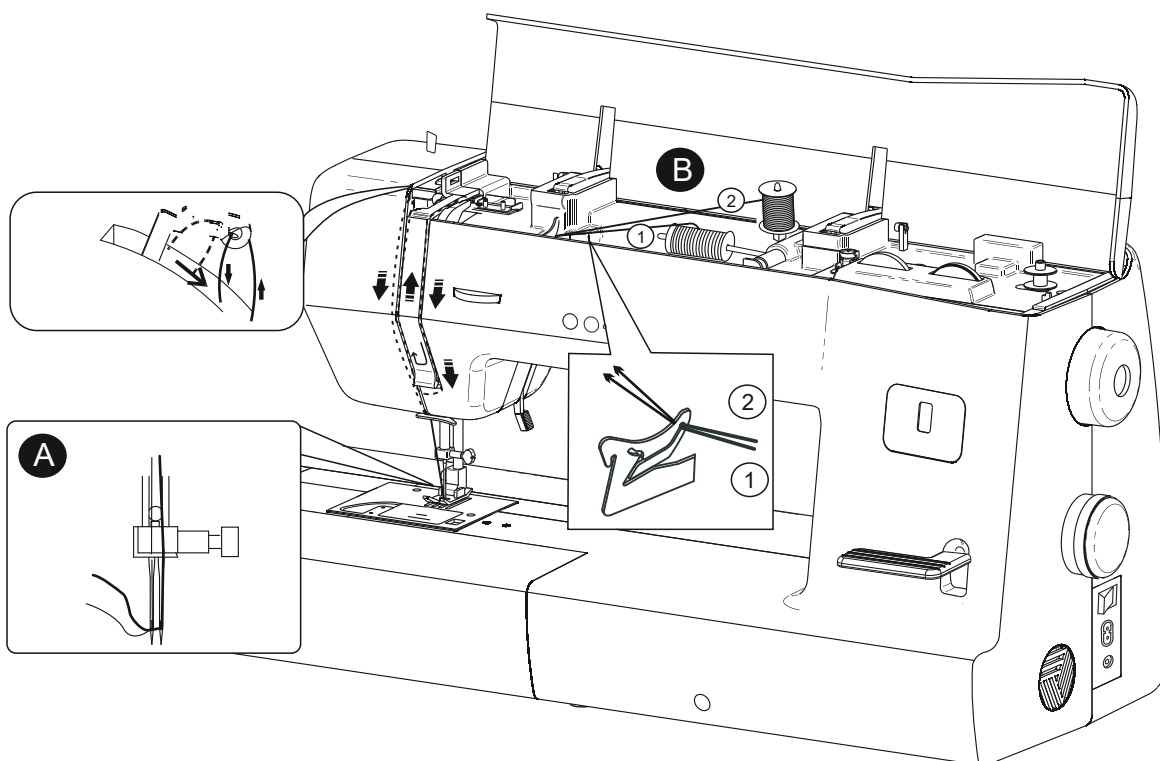
Never use bent needles. Bent needles can easily break, possibly resulting in injuries.

## Installing Twin Needle & Threading

1. Remove the single needle and insert twin needle (A). (See page 9)
2. Guide spool thread from horizontal spool pin (1) using normal threading procedure (B). (See page 12)
3. Thread the left needle eye by hand from needle front to back (A).
4. Insert vertical spool pin with spool pin felt and thread spool into the hole opening located behind the horizontal spool pin (C).
5. Guide spool thread from vertical spool pin (2) and thread machine same as Step 2 above.
6. For better sewing results, do not pass second thread through needle bar threading guide, thread right needle eye by hand from front to back (A).
7. Refer to twin needle procedures as outlined in illustrations.



Needle threader cannot be used with twin needle, it may cause damage to machine.



# TWIN NEEDLE SEWING


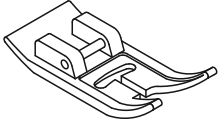
## All Purpose Presser Foot

For detail on changing the presser foot, please refer to page 9.

The stitch width must be adjusted at 3.5 mm **only**, for safety reasons and the needle must be checked to make sure it safely clears the presser foot and needle plate before sewing by slowly turning handwheel manually.



When using twin needle, be sure to attach All Purpose foot and always check that the needles do not touch needle plate and presser foot, otherwise, the needle may break or damage the machine.

Stitch Name	Pattern	Stitch Length Dial [mm(inch)]	Stitch Width Dial [mm(inch)]	Needle Type	All Purpose Foot
Straight Stitch <b>(ONLY)</b>	1 -----	1-4 (1/16-3/16)	3.5 (Center Needle Position <b>ONLY</b> )	 2.0/90 3.0/90 4.0/90 5.0/90	

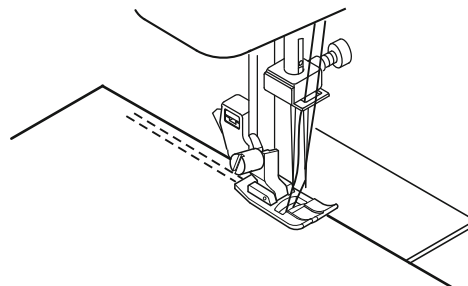


When using the twin needle be sure to select the STRAIGHT STITCH ONLY and Stitch Width Dial is set at 3.5 (center needle position), otherwise the needle may break or the machine may be damaged.

## Start to sew

Two lines of stitching are sewn parallel to each other.

(Please refer to page 19 for details for Starting to sew)



When changing the sewing direction, raise the needles from the fabric by turning handwheel, and then raise the presser foot lever and turn direction of the fabric. Do not try turning the fabric while twin needle is still in the fabric, otherwise the needle may break or the machine may be damaged.

## CARING FOR YOUR MACHINE

To ensure the best possible operation of your machine, it is necessary to keep the essential parts clean at all times. Always disconnect the machine from power supply by removing the plug from the electric outlet.



### CAUTION

- Please switch off the main power switch and then disconnect plug from electric outlet before you start cleaning.

### CLEANING THE FEED DOG AND HOOK AREA

- 1 Raise the needle to its highest position.
- 2 Remove the bobbin cover and bobbin (1).
- 3 Remove the needle plate (1).
- 4 Remove the bobbin case (2).
- 5 Clean the feed dog and hook area with the lint brush.



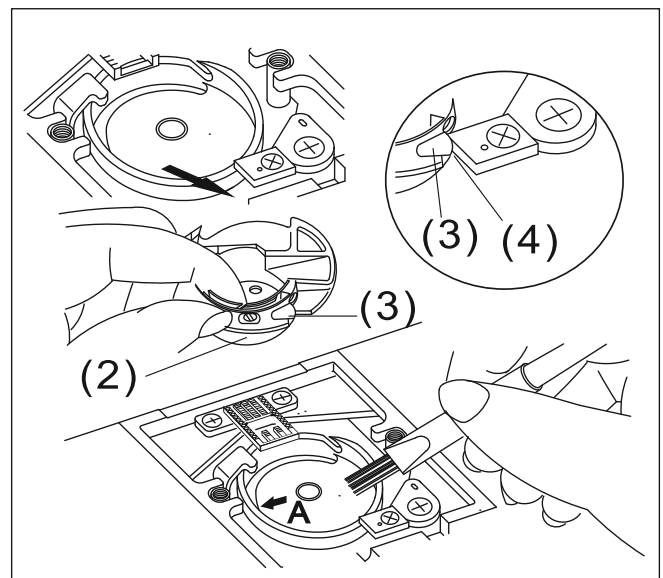
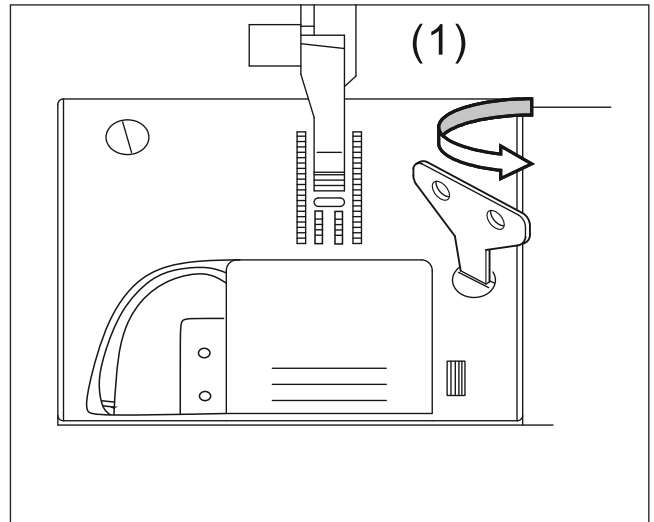
### Note

- Put a drop of good quality sewing machine oil on the hook race as indicated by arrow A.
- 6 Replace the bobbin case with the projection (3) positioned against the spring (4). Replace the needle plate.



### CAUTION

- Never use a bobbin case that is scratched; otherwise the upper thread may become tangled, the needle may break, or sewing performance may suffer.
- Make sure that you fit the bobbin case properly, otherwise the needle may break and damage machine or cause personal injury.



### Important Maintenance Message

Baby Lock recommends taking your machine to an authorized Baby Lock retailer for regular maintenance. Such steps will help to ensure you receive continued, uninterrupted hours of machine operation for the future.



# TROUBLESHOOTING

If the machine stops working properly, check the following possible problems.

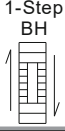



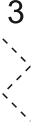


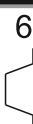
If the problem is still there, contact your authorized Baby Lock retailer.

PROBLEM	CAUSE	CORRECTION	PAGE
Upper thread breaks	<ul style="list-style-type: none"> <li>● Machine not properly threaded.</li> <li>● Thread entwined around bobbin.</li> <li>● Needle inserted incorrectly.</li> <li>● Thread tension too tight.</li> <li>● Thread of incorrect size or poor quality.</li> </ul>	Re-thread machine.	12
		Remove entwined thread.	11
		Re-insert needle.	9
		Readjust thread tension.	17
		Choose correct thread.	18
Lower thread breaks	<ul style="list-style-type: none"> <li>● Bobbin threaded incorrectly.</li> <li>● Bobbin wound unevenly or too full.</li> <li>● Dirt in the bobbin and hook area.</li> </ul>	Re-thread the bobbin.	11
		Rewind the bobbin.	10
		Clean the bobbin and hook area.	33
Machine skips stitches	<ul style="list-style-type: none"> <li>● Needle inserted incorrectly.</li> <li>● Bent or blunt needle.</li> <li>● Incorrect size of needle on stretch fabric.</li> </ul>	Re-insert needle.	9
		Insert new needle.	9
		Choose correct size of needle for fabric.	18
		Use stretch needle	18
Fabric puckers	<ul style="list-style-type: none"> <li>● Machine not properly threaded.</li> <li>● Bobbin threaded incorrectly.</li> <li>● Blunt needle.</li> <li>● Thread tension too tight.</li> </ul>	Re-thread machine.	12
		Re-thread the bobbin.	11
		Insert new needle.	9
		Readjust thread tension.	17
Machine makes loose stitches or loops	<ul style="list-style-type: none"> <li>● Bobbin threaded incorrectly.</li> <li>● Machine not properly threaded.</li> <li>● Tension not adjusted properly.</li> </ul>	Re-thread the bobbin.	11
		Re-thread machine.	12
		Readjust thread tension.	17
Threader does not thread needle eye	<ul style="list-style-type: none"> <li>● Needle is not raised to highest position.</li> <li>● Needle inserted incorrectly.</li> <li>● Bent needle.</li> <li>● Eye of needle too small</li> <li>● Hook pin on threader bent</li> </ul>	Raise the needle.	13
		Re-insert needle.	9
		Insert new needle.	9
		Insert needle size 11 or higher	13
		See authorized Baby Lock retailer	13
Machine does not feed properly	<ul style="list-style-type: none"> <li>● Feed dog is lowered.</li> <li>● Lint and dust accumulated around feed dog.</li> <li>● Presser foot is not lowered.</li> <li>● Buttonhole Sewing Mode:                             <ul style="list-style-type: none"> <li>– Buttonhole lever is not lowered completely.</li> <li>– Buttonhole foot is not attached.</li> </ul> </li> </ul>	Raise the feed dog.	15
		Clean the feed dog area.	33
		Lower the presser foot.	9
		–Lower the buttonhole lever.	25
		–Attach the buttonhole foot.	25
Needle breaks	<ul style="list-style-type: none"> <li>● Fabric pulled while sewing.</li> <li>● Needle is hitting the presser foot.</li> <li>● Needle inserted incorrectly.</li> <li>● Incorrect size needle or thread for fabric being sewn.</li> <li>● Needle is bent.</li> </ul>	Do not pull fabric.	18
		Select correct foot, pattern and needle position.	18
		Re-insert needle.	9
		Choose correct size needle and thread.	18
Machine runs with difficulty	<ul style="list-style-type: none"> <li>● Dirt or lint accumulated in the hook race and feed dog.</li> </ul>	Insert new needle.	9
		Remove the needle plate and bobbin case and clean the hook race and feed dog.	33
Machine will not run	<ul style="list-style-type: none"> <li>● Cord not plugged into electrical outlet.</li> <li>● Main power switch is not turned on.</li> <li>● Bobbin winder shaft is pushed to the right.</li> </ul>	Insert plug fully into outlet.	8
		Turn on the main power switch.	8
		Push shaft to the left.	10


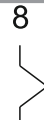







## STITCH REFERENCE CHART



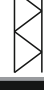
\*The Stitch Width Dial has multi-functions depending on stitch selection. Refer to page 19 for complete details.

Stitch Name	Pattern	Application	Stitch Length Dial [mm(inch)]	Stitch Width Dial [mm(inch)]
Buttonhole		Creating buttonholes	0-1  (0-1/16)	3.5-7* (1/8-1/4)
Stitch Name	Pattern	Application	Stitch Length Dial [mm(inch)]	Stitch Width Dial [mm(inch)]
Straight Stitch	1 	General sewing, attaching zippers and creating gathers or pintucks, etc.	0-4 (0-3/16)	0-7* (0-1/4)
Stitch Name	Pattern	Application	Stitch Length Dial [mm(inch)]	Stitch Width Dial [mm(inch)]
Zigzag Stitch	2 	Quilting, overcasting and attaching applique, etc.	0-4 (0-3/16)	0-7* (0-1/4)
Stitch Name	Pattern	Application	Stitch Length Dial [mm(inch)]	Stitch Width Dial [mm(inch)]
Elastic Zigzag Stitch	3 	Overcasting on medium weight or stretch fabric, attaching elastic or darning etc.	0-2 (0-1/16)	5-7* (3/16-1/4)
Stitch Name	Pattern	Application	Stitch Length Dial [mm(inch)]	Stitch Width Dial [mm(inch)]
Blind Hem Stitch	4 	Blind hem stitching on medium weight, etc.	1-4 (1/16-3/16)	5-7* (3/16-1/4)
Stitch Name	Pattern	Application	Stitch Length Dial [mm(inch)]	Stitch Width Dial [mm(inch)]
Blind Hem Stretch Stitch	5 	Blind hem stitching on stretch fabric	1-4 (1/16-3/16)	5-7* (3/16-1/4)
Stitch Name	Pattern	Application	Stitch Length Dial [mm(inch)]	Stitch Width Dial [mm(inch)]
Double Action	6 	Attaching elastic to stretch fabrics	0-4 (0-3/16)	0-7* (0-1/4)






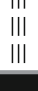

# STITCH REFERENCE CHART

Stitch Name	Pattern	Application	Stitch Length Dial [mm(inch)]	Stitch Width Dial [mm(inch)]
Bridging	7 	Patchwork stitching and decorative stitching	1-4 (1/16-3/16)	1-7* (1/16-1/4)
Stitch Name	Pattern	Application	Stitch Length Dial [mm(inch)]	Stitch Width Dial [mm(inch)]
Overcasting Stitch	8 	Overcasting on thin or medium weight fabrics	0-2 (0-1/16)	5-7* (3/16-1/4)
Stitch Name	Pattern	Application	Stitch Length Dial [mm(inch)]	Stitch Width Dial [mm(inch)]
Decorative Satin Stitch	9 	Decorative and satin stitching	0-4 (0-3/16)	3.5-7* (1/8-1/4)
Stitch Name	Pattern	Application	Stitch Length Dial [mm(inch)]	Stitch Width Dial [mm(inch)]
Decorative Satin Stitch	10 	Decorative and satin scallop stitching	0-4 (0-3/16)	3.5-7* (1/8-1/4)
Stitch Name	Pattern	Application	Stitch Length Dial [mm(inch)]	Stitch Width Dial [mm(inch)]
Decorative Satin Stitch	11 	Decorative and satin stitching	0-4 (0-3/16)	3.5-7* (1/8-1/4)
Stitch Name	Pattern	Application	Stitch Length Dial [mm(inch)]	Stitch Width Dial [mm(inch)]
Decorative Stitch	12 	Decorative stitching	<b>SS Gold 4</b>	<b>SS Gold 7</b> 3.5-7* (1/8-1/4)
Stitch Name	Pattern	Application	Stitch Length Dial [mm(inch)]	Stitch Width Dial [mm(inch)]
Decorative Stitch	13 	Decorative stitching	<b>SS Gold 4</b>	<b>SS Gold 7</b> 3.5-7* (1/8-1/4)

# STITCH REFERENCE CHART

Stitch Name	Pattern	Application	Stitch Length Dial [mm(inch)]	Stitch Width Dial [mm(inch)]
Overlock	14 	Overcasting on thin or medium weight fabric Overcasting on thick fabrics	<b>SS Gold 4</b>	<b>SS Gold 7</b> 5-7* (3/16-1/4)
Stitch Name	Pattern	Application	Stitch Length Dial [mm(inch)]	Stitch Width Dial [mm(inch)]
Decorative Overcasting	15 	Applique, decorative stitching	<b>SS Gold 4</b>	<b>SS Gold 7</b> 5-7* (3/16-1/4)
Stitch Name	Pattern	Application	Stitch Length Dial [mm(inch)]	Stitch Width Dial [mm(inch)]
Decorative Applique Stitch	16 	Applique, decorative stitching	<b>SS Gold 4</b>	<b>SS Gold 7</b> 3.5-7* (1/8-1/4)
Stitch Name	Pattern	Application	Stitch Length Dial [mm(inch)]	Stitch Width Dial [mm(inch)]
Feather Stitch	17 	Decorative stitching, patchwork	<b>SS Gold 4</b>	<b>SS Gold 7</b> 3.5-7* (1/8-1/4)
Stitch Name	Pattern	Application	Stitch Length Dial [mm(inch)]	Stitch Width Dial [mm(inch)]
Decorative Stitch	18 	Decorative stitching	<b>SS Gold 4</b>	<b>SS Gold 7</b> 3.5-7* (1/8-1/4)
Stitch Name	Pattern	Application	Stitch Length Dial [mm(inch)]	Stitch Width Dial [mm(inch)]
Double Overlock Stitch	19 	Decorative hemming on thin, medium weight and plain weave fabric, heirloom stitching etc.	<b>SS Gold 4</b>	<b>SS Gold 7</b> 5-7* (3/16-1/4)
Stitch Name	Pattern	Application	Stitch Length Dial [mm(inch)]	Stitch Width Dial [mm(inch)]
Decorative Stitch	20 	Decorative stitching	<b>SS Gold 4</b>	<b>SS Gold 7</b> 3.5-7* (1/8-1/4)

# STITCH REFERENCE CHART

Stitch Name	Pattern	Application	Stitch Length Dial [mm(inch)]	Stitch Width Dial [mm(inch)]
Decorative Stitch	21 	Decorative stitching	<b>SS Gold 4</b>	<b>SS Gold 7</b> 3.5-7* (1/8-1/4)
Stitch Name	Pattern	Application	Stitch Length Dial [mm(inch)]	Stitch Width Dial [mm(inch)]
Decorative Stitch	22 	Decorative stitching	<b>SS Gold 4</b>	<b>SS Gold 7</b> 3.5-7* (1/8-1/4)
Stitch Name	Pattern	Application	Stitch Length Dial [mm(inch)]	Stitch Width Dial [mm(inch)]
Decorative Cross Stitch	23 	Decorative and cross stitching	<b>SS Gold 4</b>	<b>SS Gold 7</b> 3.5-7* (1/8-1/4)
Stitch Name	Pattern	Application	Stitch Length Dial [mm(inch)]	Stitch Width Dial [mm(inch)]
Fagoting Stitch	24 	Decorative stitching	<b>SS Gold 4</b>	<b>SS Gold 7</b> 3.5-7* (1/8-1/4)
Stitch Name	Pattern	Application	Stitch Length Dial [mm(inch)]	Stitch Width Dial [mm(inch)]
Rick rack	25 	Decorative stitching, elastic stitching	<b>SS Gold 4</b>	<b>SS Gold 7</b> 3.5-7* (1/8-1/4)
Stitch Name	Pattern	Application	Stitch Length Dial [mm(inch)]	Stitch Width Dial [mm(inch)]
Triple Stitch	26 	Attaching sleeves, sewing in seams, sewing stretch fabrics and decorative stitching	<b>SS Gold 4</b>	<b>SS Gold 7</b> 3.5-7* (1/8-1/4)
Stitch Name	Pattern	Application	Stitch Length Dial [mm(inch)]	Stitch Width Dial [mm(inch)]
Decorative Stitch	27 	Decorative stitching	<b>SS Gold 4</b>	<b>SS Gold 7</b> 3.5-7* (1/8-1/4)

# Jazz™ II

## Instruction et Guide de Référence

Modèle BLMJZ-2



Pour l'Amour de la Couture

Pour enregistrer votre garantie de la machine et recevoir les mises à jour du produit Baby Lock et les offres, consultez [www.babylock.com/profile](http://www.babylock.com/profile) et pour toute questions relatives à votre inscription, visitez votre Revendeur Autorisé Baby Lock.

Ligne d'assistance Baby Lock aux Consommateurs :800-313-4100  
[www.BabyLock.com](http://www.BabyLock.com)

# CONSIGNES DE SÉCURITÉ IMPORTANTES

Lisez toutes les instructions avant l'utilisation. Lors de l'utilisation de cette machine, les précautions de sécurité de base doivent toujours être prises, y compris les suivantes:

**Lisez toutes les instructions avant l'utilisation.**

**RISQUE – Pour réduire le risque de choc électrique :**

- 1 Cette machine à coudre ne doit pas être laissée sans surveillance lorsque branchée. Toujours débrancher la machine de la prise électrique immédiatement après usage et avant le nettoyage.
- 2 Ne pas toucher la machine si elle tombe dans l'eau. Débranchez immédiatement.
- 3 Ne pas placer ou ranger la machine à coudre où elle pourrait tomber ou glisser dans une baignoire ou un évier. Évitez de laisser tomber dans l'eau ou autre liquide,

**AVERTISSEMENT – Pour réduire le risque de brûlures, d'incendie, de choc électrique, ou de blessures corporelles :**

- 1 La machine ne doit pas être utilisée comme un jouet. La plus grande attention est exigée durant l'utilisation de la machine à courtepointe par des enfants ou à proximité immédiate d'enfants.
- 2 Utilisez la machine conformément à ce mode d'emploi. Utilisez exclusivement les fixations recommandées par le fabricant dans ce mode d'emploi.
- 3 N'utilisez jamais la machine lorsque le câble ou le connecteur sont endommagés, lorsque la machine est endommagée, quelle est tombée au sol ou encore a été immergée dans l'eau. Apportez la machine à courtepointe au détaillant autorisé Baby Lock le plus près, pour le contrôle, la réparation et l'ajustement électrique ou mécanique.
- 4 N'utilisez jamais la machine avec les fentes d'aérations couvertes. Libérez les prises d'air de cette machine à coudre et pédale de toute accumulation de peluches, poussière et charpie.
- 5 N'insérez jamais ou ne laissez pas tomber d'objet dans les ouvertures.
- 6 N'utilisez pas la machine à l'extérieur.
- 7 N'utilisez pas la machine en présence d'aérosols ou sur des lieux enrichis en oxygène.
- 8 Pour mettre la machine hors circuit, mettez l'interrupteur qui affiche la position ARRET sur la position « 0 », puis retirez le connecteur de la prise.
- 9 Ne débranchez pas le connecteur en tirant sur le câble. Pour retirer le connecteur de la prise, ne saisissez pas le câble.
- 10 Gardez vos doigts loin des pièces en mouvement. Faites particulièrement attention près de la zone de l'aiguille.
- 11 Toujours utiliser la plaque à aiguille appropriée. Le mauvais choix de plaques peut provoquer un bris d'aiguille.
- 12 N'utilisez pas d'aiguille tordues.
- 13 Ne pas tirer ou pousser le tissu pendant la couture. Cela peut faire dévier l'aiguille et la casser.
- 14 Mettez l'interrupteur de la machine en position « 0 » pour la désactiver afin d'effectuer des réglages dans la zone de l'aiguille comme par exemple enfiler l'aiguille ou la canette et remplacer l'aiguille ou le pied presseur.
- 15 Déconnectez toujours la machine de la prise murale avant d'ouvrir les recouvrements, de lubrifier ou d'effectuer tout autre travail de maintenance décrit dans ce mode d'emploi.
- 16 Ne jamais utiliser sur une surface molle comme un lit ou un canapé où les ouvertures d'air pourraient être bloquées.
- 17 Ne pas utiliser la machine à proximité d'une source de chaleur, comme une cuisinière ou un fer à repasser, sinon, le cordon d'alimentation de la machine ou le vêtement à coudre pourrait s'enflammer, provoquant un incendie ou un choc électrique.
- 18 Lors du rangement de cette machine, éviter la lumière du soleil directe et un emplacement à humidité élevée. Ne pas utiliser ou ranger la machine près d'un radiateur, lampe halogène un fer, ou autres objets chauds afin d'avoir une durée de vie plus longue.
- 19 Cet appareil est pourvu de (110-120V)

**MISE EN GARDE-** Pièces mobiles- Pour réduire le risque de blessure, éteindre avant de procéder à l'entretien. Refermer le couvercle avant d'utiliser la machine.

**CONSERVEZ CES INSTRUCTIONS-** Cette machine est destinée à un usage domestique

NE PAS JETER!

EUROPE (seulement)



RECYCLAGE



Nous nous sommes engagés à la protection de l'environnement. Nous nous efforçons de minimiser l'impact environnemental de nos produits par l'amélioration continue de la conception de produits et de nos procédés de fabrication.

En fin de vie s'il vous plaît recycler ce produit d'une manière respectueuse pour l'environnement.

Le symbole wheelie poubelle barrée présenté ci-dessus et sur les données de plaque du produit signifie que ce produit tombe sous le coup de l'UE «Déchets d'équipements électriques et électroniques» (DEEE) et "Restriction de l'utilisation de certaines substances dangereuses dans les équipements électriques et électroniques" (ROHS) directives et ne doivent pas être jetés avec les ordures ménagères. En fin de vie, vous devez vous assurer que ce produit est éliminé conformément à la législation nationale et locale, et qu'il est classé dans la catégorie 2 "Petit Électroménager" DEEE. Vous pouvez être tenu responsable en vertu des lois locales et nationales pour l'élimination inappropriée de ce produit. S'il vous plaît consulter le Web, ou à un organisme national ou local compétent, pour le retour et les systèmes de collecte disponibles pour vous et les emplacements de vos points de recyclage le plus proche. Si vous achetez un nouveau produit directement de nous, nous prenons votre ancien appareil, quelle que soit la marque, si elle est un bien qui peut être revendu.

Comme individu, vous pouvez avoir un impact positif sur la réutilisation, le recyclage et d'autres formes de valorisation des DEEE. Cela permettra de réduire l'utilisation de décharges et de minimiser l'impact environnemental des produits que vous utilisez.

Les substances dangereuses dans les produits électroniques et électriques peuvent avoir un impact néfaste sur la santé humaine et sur l'environnement.



# INTRODUCTION

Merci pour l'achat de cette machine.

Avant d'utiliser cette machine, lisez attentivement ces "IMPORTANTES INSTRUCTIONS DE SÉCURITÉ", puis étudiez ce manuel pour le bon fonctionnement des différentes fonctions.

En outre, après avoir terminé la lecture de ce manuel, rangez-le afin qu'il soit accessible aisément pour référence future.

## INSTRUCTIONS POUR DÉBALLAGE / EMBALLAGE DE LA MACHINE

Conservez le carton et le matériel d'emballage pour pouvoir les utiliser si nécessaire en cas de renvoi au commerçant ou à la réparation. Si vous n'emballez pas correctement ou n'utilisez pas le matériel d'emballage adéquatement, la machine pourrait être endommagée.

### IMPORTANT

- Ces matériaux d'emballage sont conçus pour éviter tout endommagement à la machine. Conservez-les dans le cas où vous souhaiteriez renvoyer la machine au Revendeur Autorisé de Baby Lock pour réparation

## LISEZ CES INSTRUCTIONS AVANT D'UTILISER LA MACHINE

### Pour utiliser la machine de manière sécuritaire

1. Faites attention à l'aiguille pendant la couture. Ne touchez pas le volant, le releveur de fil, l'aiguille ou toutes autres pièces mobiles.
2. Mettez la machine hors circuit et retirez le connecteur lorsque :  
Le travail à la machine est terminé  
Pour remplacer ou retirer l'aiguille ou toute autre pièce  
S'il y a un dérèglement pendant votre travail à la machine  
Quand vous contrôlez ou nettoyez la machine  
Quand vous laissez la machine sans surveillance
3. Ne déposez aucun article sur la pédale.
4. Branchez la machine directement à la prise de courant. N'utilisez pas de rallonge.

### Pour prolonger la durée de vie de la machine

1. Ne gardez pas la machine dans des lieux directement exposés au soleil ou à une forte humidité. Non plus à proximité immédiate de radiateurs, fers à repasser, lampes halogènes ou tous autres objets sources de chaleur.
2. Utilisez seulement des nettoyeurs neutres pour le nettoyage. Le benzène, le solvant et la poudre à recurer peuvent endommager le revêtement de la machine, raison pour laquelle il ne faut donc pas les utiliser.
3. Ne laissez pas tomber et ne secouez pas la machine.
4. Consultez toujours le mode d'emploi avant de remplacer le pied presseur, l'aiguille ou toute autre pièce. Assurez-vous de les fixer correctement.

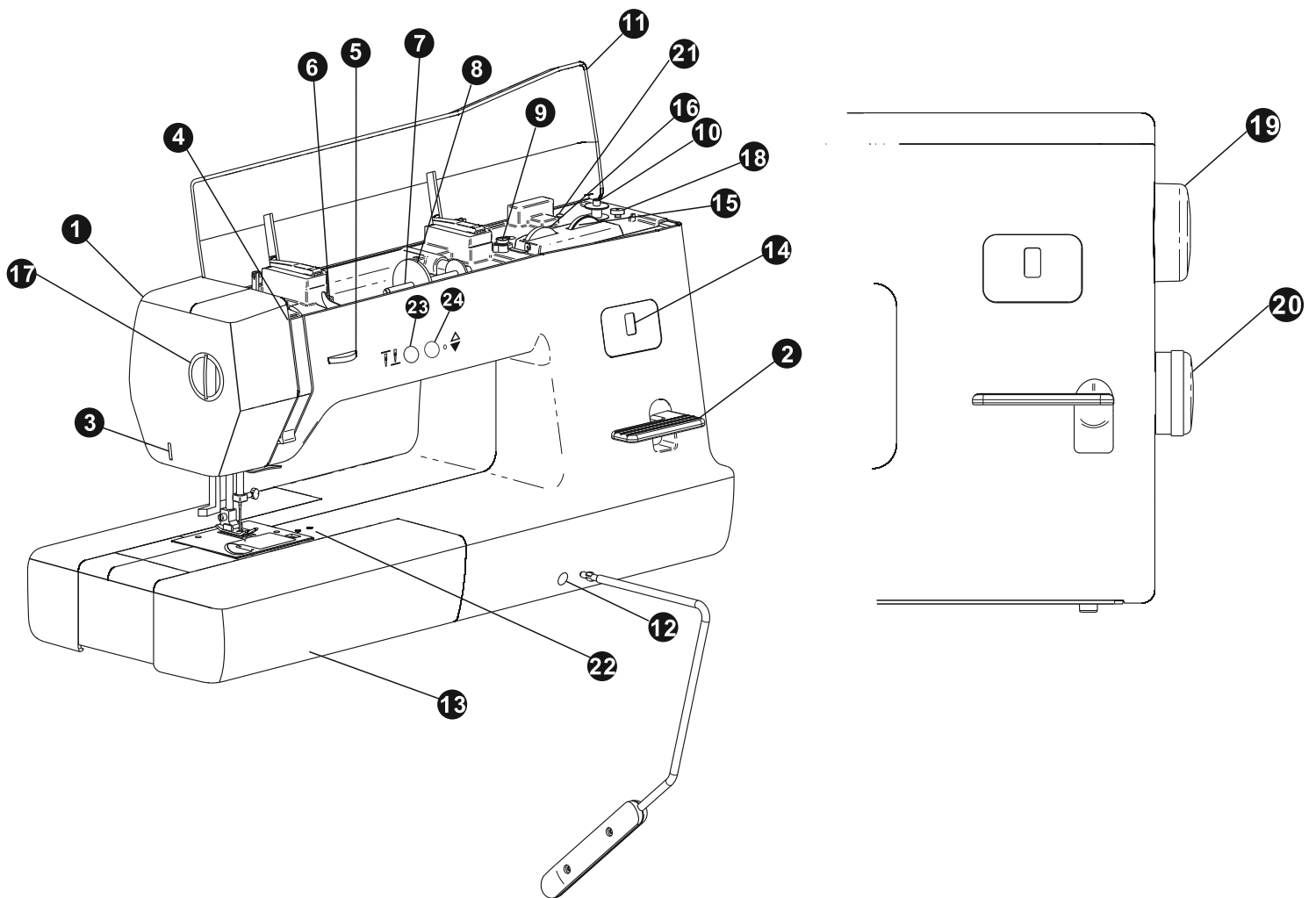
### Pour réparer ou régler la machine

En cas de dérèglement de la machine ou lorsqu'un ajustement est nécessaire, consultez le paragraphe « Dépannage » pour tester ou ajuster la machine vous-même. Si le problème persiste, consultez votre Revendeur Autorisé Baby Lock local.

# TABLE DES MATIÈRES

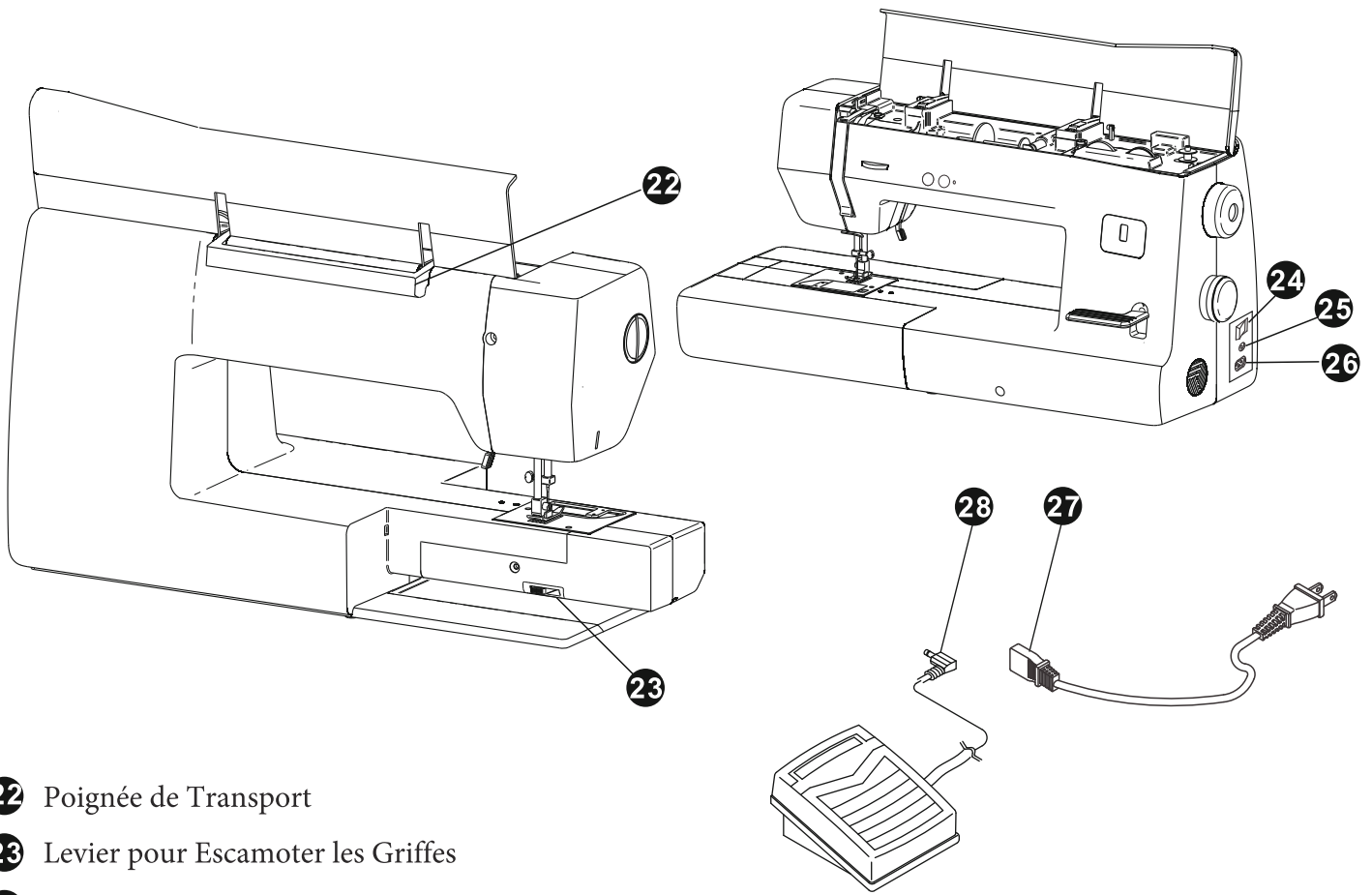
IMPORTANTES INSTRUCTIONS DE SÉCURITÉ	i
RECYCLAGE (EUROPE seulement)	ii
INTRODUCTION	iii
INSTRUCTIONS POUR DÉBALLAGE / EMBALLAGE	iii
INSTRUCTIONS AVANT D'UTILISER LA MACHINE	iii
COMPOSANTS PRINCIPAUX	2
ACCESSOIRES	4
POUR RETIRER LA TABLE DE COUTURE	4
RETIRER LA TABLE DE COUTURE	4
OUVERTURE DU PLATEAU ACCESSOIRE	4
COMPARTIMENT FONCTION BRAS LIBRE	4
BRANCHEMENT DE LA MACHINE	5
CONNEXION DE L'ALIMENTATION	5
PÉDALE	5
CHANGEMENT DU PIED PRESSEUR	6
CHANGEMENT DE L'AIGUILLE	6
ENFILAGE DE LA MACHINE	7
BOBINAGE	7
ENFILAGE INFÉRIEUR	8
ENFILAGE SUPÉRIEUR	9
UTILISATION DE L'ENFILE AIGUILLE	10
REMONTAGE DU FIL DE CANETTE	10
CONTRÔLES	11
BOUTON SÉLECTION DE MOTIF ET INDICATEUR	11
BOUTON DE RÉGLAGE LONGUEUR DE POINT	11
BOUTON DE RÉGLAGE LARGEUR DU POINT	12
AJUSTEMENT PRESSION DU PIED / LEVIER MARCHE ARRIÈRE	12
LEVIER POUR ESCAMOTER LES GRIFFES	12
GENOUILLÈRE	13
AJUSTEMENT DES TENSIONS DE FIL,	14
ASSOCIATION TISSU, FIL ET AIGUILLE	15
COUTURE DE POINTS DROITS	16
COUTURE DE POINTS DE ZIGZAG	18
OURLET CACHÉ, SURFILAGE	18
ET SURJET	19
ZIGZAG MUTI POINTS	21
COUTURE POINTS ÉLASTIQUES	21
COUTURE DES BOUTONNIÈRES	22
INSERTION FERMETURES ET PASSEPOIL	23
COUTURE POINT DROIT ET DE COURTEPOINTE	24
RACCOMMODAGE/COURTEPOINTE EN MOUVEMENT LIBRE	24
PATCH WORK	25
APPLIQUÉ	25
POINT FESTON	26
AIGUILLE JUMELÉE	28
ENTRETIEN DE VOTRE MACHINE	30
DÉPANNAGE	31
TABLEAU DE	32-35
RÉFÉRENCE DE POINT	

# COMPOSANTS PRINCIPAUX



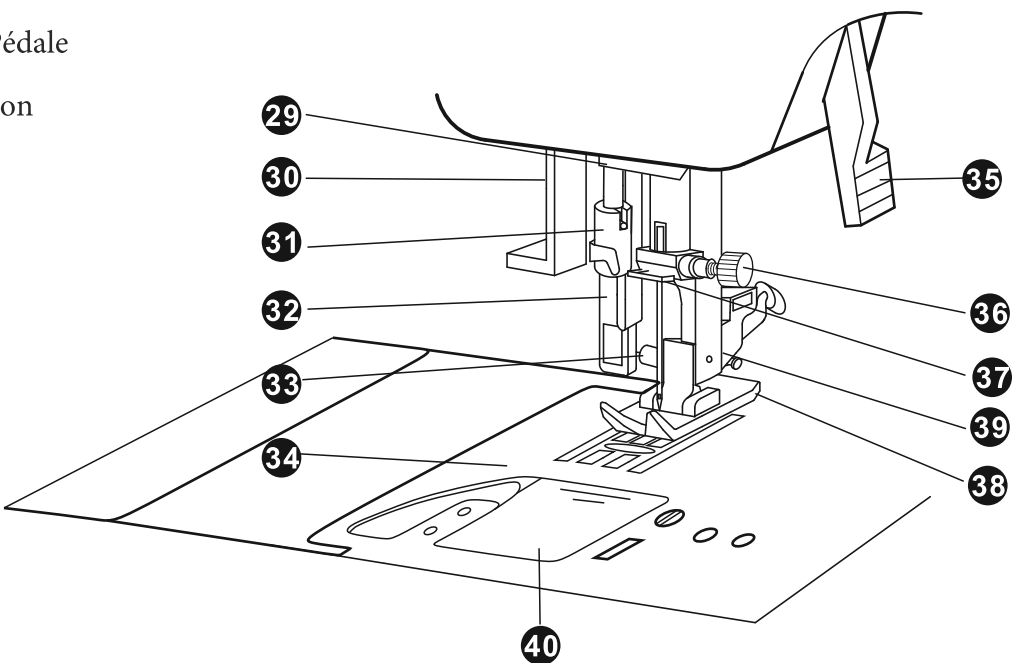
- |   |   |
|---|---|
| <b>1</b> Couvercle Frontal                                    | <b>14</b> Afficheur de Motif                                |
| <b>2</b> Levier Marche Arrière                                | <b>15</b> Molette Longueur du Point                         |
| <b>3</b> Coupe-fil  | <b>16</b> Molette Largeur du Point                          |
| <b>4</b> Releveur (interne)                                   | <b>17</b> Molette pour Ajuster la Pression du Pied presseur |
| <b>5</b> Régulateur de la Tension du Fil                      | <b>18</b> Arrêt du Bobineur                                 |
| <b>6</b> Plaque Guide Fil                                     | <b>19</b> Volant  |
| <b>7</b> Porte-bobine   | <b>20</b> Molette pour Sélection de Motif                   |
| <b>8</b> Capuchon de Porte-bobine                             | <b>21</b> Molette pour Réglage Fin                          |
| <b>9</b> Disque de Pré-tension du Bobineur                    | <b>22</b> Trou pour visser à l'aide du Pouce                |
| <b>10</b> Tige du Bobineur                                    | <b>23</b> Bouton pour Aiguille en Haut/en Bas               |
| <b>11</b> Couvercle Supérieur                                 | <b>24</b> Bouton d'Arrêt de l'Aiguille                      |
| <b>12</b> Fente de Montage de la Genouillère                  |   |
| <b>13</b> Table de Couture avec Compartiment pour Accessoires |   |

# COMPOSANTS PRINCIPAUX



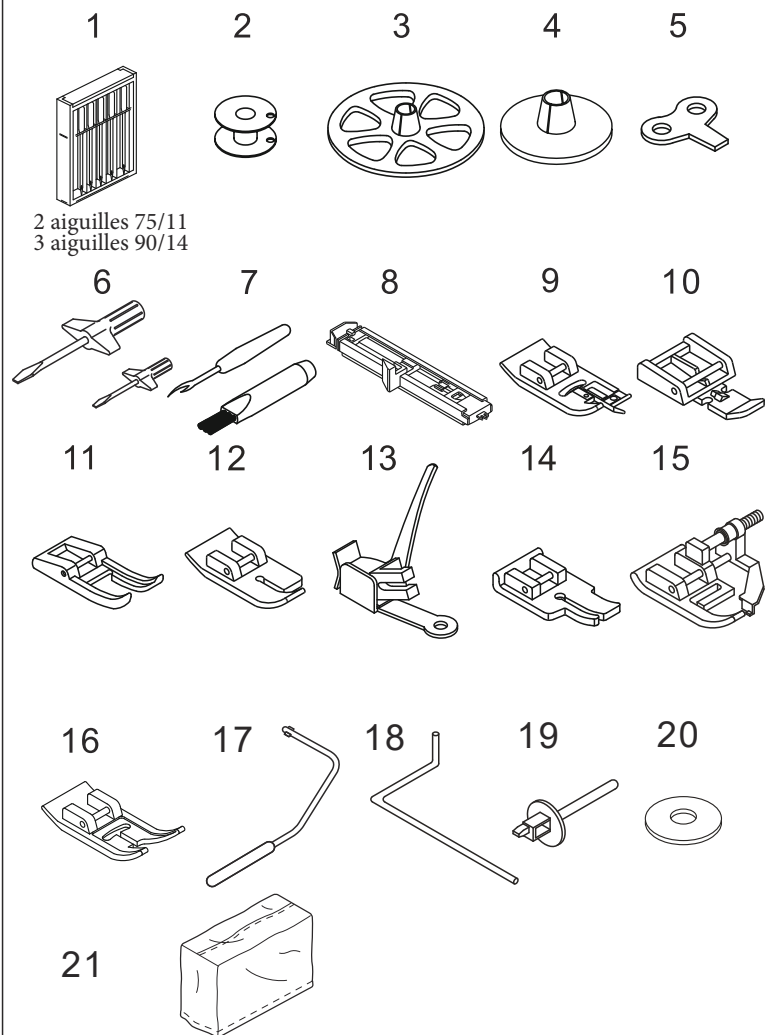
- 22 Poignée de Transport
- 23 Levier pour Escamoter les Griffes
- 24 Interrupteur Principal
- 25 Prise de la Commande de la Pédale
- 26 Prise du Cordon d'Alimentation
- 27 Cordon d'Alimentation
- 28 Pédale

- 29 Guide du Fil Inférieur
- 30 Levier Enfile Aiguille
- 31 Enfile-Aiguille
- 32 Levier Boutonnière
- 33 Vis Support du Pied Presseur
- 34 Plaque Aiguille
- 35 Levier du Pied Presseur
- 36 Vis de Serrage de l'Aiguille
- 37 Guide Fil de la Barre Aiguille
- 38 Pied Presseur
- 39 Support du Pied Presseur
- 40 Couvre Canette



## ACCESSOIRES

1. Ensemble d'Aiguille
2. Canettes (4)  
(une dans le boîtier)
3. Capuchon du Porte-bobine (large)
4. Capuchon du Porte Bobine (petit)
5. Tournevis de la Plaque Aiguille
6. Tournevis
7. Découd-vite avec Brosse
8. Pied Boutonnière
9. Pied à Surfiler
10. Pied à Fermeture Éclair
11. Pied à Large Ouverture
12. Pied pour Couture Droite
13. Pied à Raccommode/Courtepointe  
Mouvement Libre
14. Pied 6.3mm(1/4") pour Courtepointe
15. Pied à Ourlet Caché
16. Pied Tout Usage (à la machine)
17. Genouillère
18. Barre Guide pour Coutepointe
19. Porte-bobine Vertical
20. Feutres (2) pour Porte-bobine (1 à la machine)
21. Housse pour la Machine

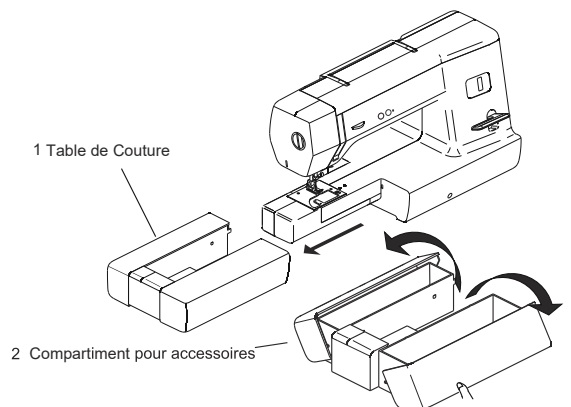


## TABLE DE COUTURE

### Pour Retirer la Table de Couture

Les accessoires sont rangés dans le compartiment à l'intérieur de la table de couture.

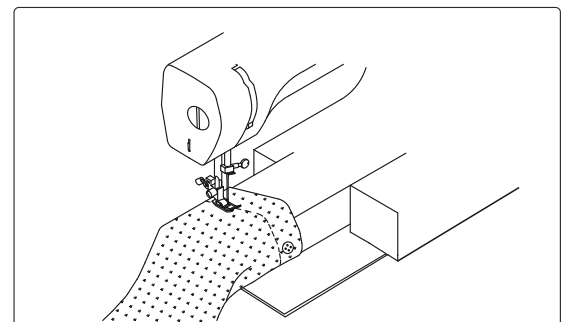
- 2 Soulevez le dessus de la table de couture pour accéder au compartiment des accessoires.



### Bras Libre

La couture à l'aide du bras libre est commode pour la couture tubulaire et les zones difficiles à atteindre. Pour convertir votre machine au bras libre, retirez la table de couture.

- 1 Glissez la table de couture vers la gauche pour dégager.



# BRANCHEMENT DE LA MACHINE

## Connexion Électrique

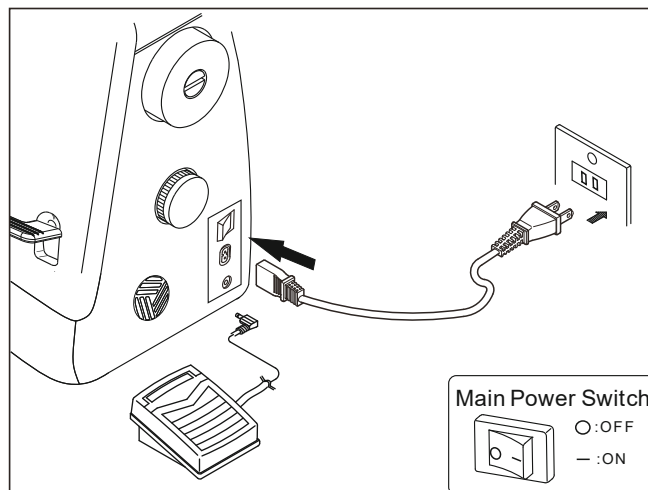
- 1 Placez la machine sur une table solide et assurez-vous que l'interrupteur principal est à la position OFF
- 2 Branchez la prise de la pédale à la machine.
- 3 Branchez le cordon d'alimentation à la prise murale.

### AVERTISSEMENT

- Utilisez l'électricité domestique normale pour source d'alimentation. L'utilisation d'autres sources d'alimentation peut provoquer un incendie, un choc électrique ou des dommages à la machine.
- Éteignez l'interrupteur principal et retirez le cordon d'alimentation de la prise murale dans les conditions suivantes:
  - Lorsque vous êtes loin de la machine
  - Lorsque vous n'utilisez pas la machine
  - Si il y a panne électrique lors de l'utilisation
  - Lorsque la machine ne fonctionne pas correctement en raison d'une mauvaise connexion ou d'une déconnexion
  - Pendant les orages électriques

### ATTENTION

- Ne pas utiliser de rallonges ou des prises multiples avec de nombreux autres appareils branchés à même. Incendie ou choc électrique pourrait en résulter.
- Ne touchez pas la prise avec les mains mouillées. Il pourrait en résulter un choc électrique.
- Pour débrancher la machine, éteindre l'interrupteur principal en premier. Toujours saisir la fiche pour retirer la prise. Tirer sur le cordon peut l'endommager ou provoquer un incendie ou un choc électrique.
- Ne laissez pas le cordon d'alimentation se couper, s'endommager, être modifié, plié avec force, tiré, tordu, ou empaqueté. Ne placez pas d'objets lourds sur le cordon. Ne soumettez pas le cordon à la chaleur. Ces comportements pourraient endommager le cordon, provoquer un incendie ou un choc électrique. Si le cordon ou la fiche sont endommagés, apportez la machine à votre Revendeur Baby Lock Autorisé pour réparations avant une utilisation en continue. Débranchez le cordon d'alimentation si la machine n'est pas utilisée pendant une longue période.



Note

ÉTATS-UNIS SEULEMENT

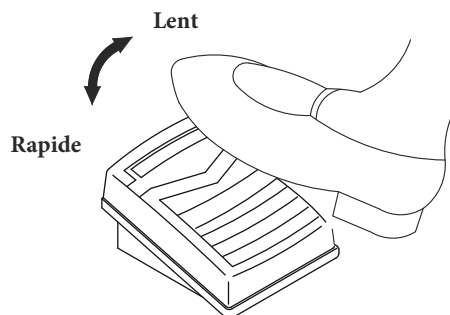
Cet appareil possède une fiche polarisée (une lame plus large que l'autre). Pour réduire le risque de choc électrique, cette fiche est conçue pour tenir dans une prise polarisée que dans un sens. Si la fiche ne rentre pas complètement dans la prise s'il vous plaît inverser la fiche. Si elle ne rentre toujours pas, contactez un électricien qualifié pour installer la bonne prise. Ne pas modifier la fiche en aucune façon.

## Pédale

- 1 Branchez la pédale de commande de la machine en insérant la goupille de commande dans le réceptacle du cordon d'alimentation situé sur le côté droit de la machine à coudre.
- 2 Lorsque vous appuyez sur la pédale de commande doucement, la machine va fonctionner à basse vitesse.
  - Lorsque vous appuyez plus fort, la vitesse de la machine va augmenter. Lorsque vous retirez votre pied de la pédale, la machine va s'arrêter. Vous devez vous assurer que pas d'articles sur la pédale lorsque la machine est en cours d'utilisation.

### Avertissement

Ne laissez pas les morceaux de tissu et de la poussière sur la pédale. Cela pourrait provoquer un incendie ou un choc électrique.



Note

Utilisez seulement la pédale incluse avec cette machine.  
Pédale: Modèle YC-485EC



## CHANGEMENT DU PIED PRESSEUR

### **Avertissement**

- Toujours mettre hors tension avant de changer la semelle. si vous laissez l'appareil sous tension et le pied sur la pédale, la machine va démarrer et vous pourriez être blessé.
- Utilisez toujours la semelle recommandée pour le point choisi. Si vous utilisez la semelle inappropriée, l'aiguille risque de heurter la semelle et de se tordre ou de casser et pourrait causer des blessures.
- Utilisez uniquement des semelles qui ont été conçues pour être utilisées avec cette machine.  
L'utilisation d'une autre semelle pourrait endommager la machine ou provoquer des blessures.

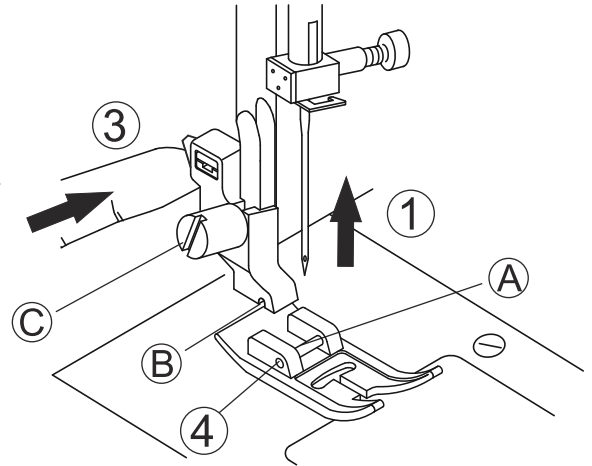
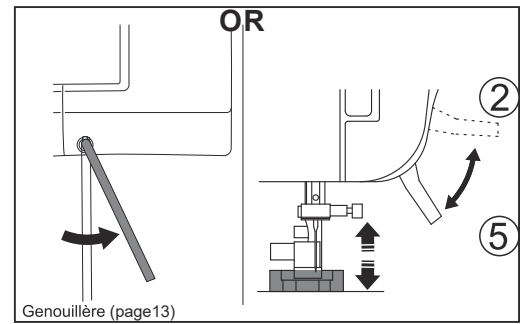
1. Tournez le volant vers vous jusqu'à ce que l'aiguille soit dans la position la plus haute.
2. Relevez le levier du pied presseur.
3. Retirez la semelle en poussant le levier de relâche vers vous.
4. Alignez la tige de la semelle sélectionnée A sous l'enclenche B du support du pied presseur.
5. Abaissez le levier du pied presseur et celui-ci va s'enclencher en place.

### RETIREZ LE SUPPORT DU PIED PRESSEUR

Vous devrez peut-être retirer le support du pied presseur pour utiliser d'autres semelles.

Pour le retirer, soulevez le levier du pied presseur et desserrer la vis du support du pied presseur (C).

Pour remettre en place, serrer la vis après avoir aligné le support du pied presseur avec le côté inférieur gauche de la barre.



- Ⓐ Tige du pied presseur
- Ⓑ Enclenche du support du pied presseur
- Ⓒ Vis du support du pied presseur

## CHANGEMENT DE L'AIGUILLE

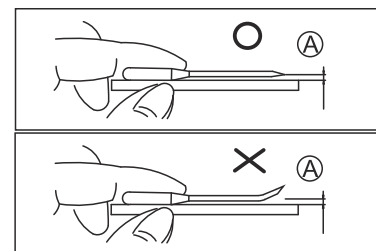
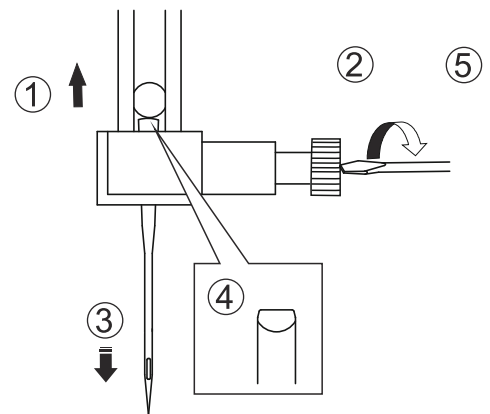
Choisissez une aiguille du type et de la taille approprié au tissu à être cousu.  
( à la page 15 voir le Tableau des recommandations pour tissus, fils et aiguilles.)



**Attention: Pour éviter les accidents,**  
Placez l'interrupteur de l'alimentation à la position «OFF»

1. Tournez le volant vers vous jusqu'à ce que l'aiguille soit dans la position la plus haute.
2. Desserrez la vis du support de l'aiguille avec un tournevis
3. Retirez l'aiguille.
4. Insérez une nouvelle aiguille dans le support d'aiguille avec le côté plat vers l'arrière et poussez aussi loin que possible.
5. Serrer la vis du support d'aiguille.

- A. Placez l'aiguille sur une surface plane pour vérifier si elle est tordue.  
Ne Pas utiliser des aiguilles tordues ou émoussées.

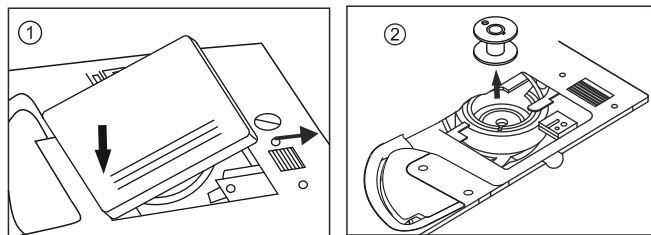




## Bobinage

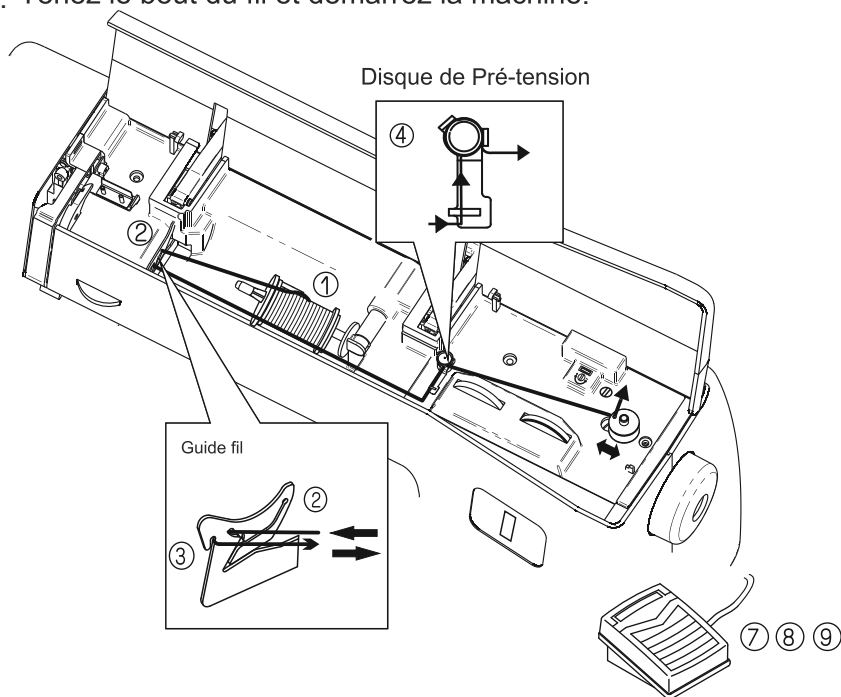
### POUR RETIRER LA CANETTE

1. Retirez le couvercle de la canette en glissant le couvercle du compartiment à canette vers la droite et abaissez le coin inférieur gauche du couvercle en même temps.
2. Retirez la canette.

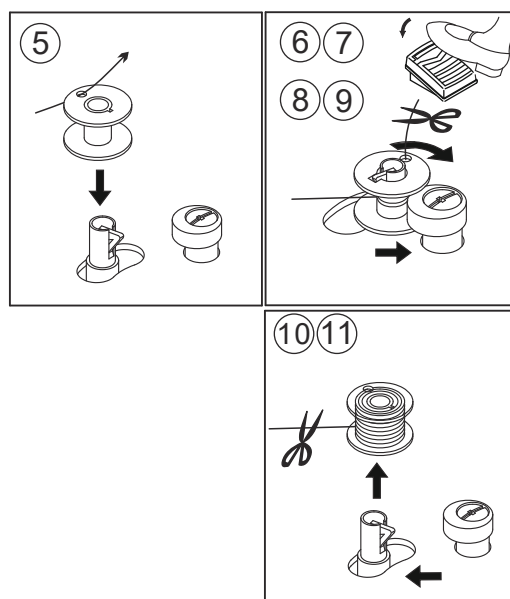


### BOBINAGE DE LA CANETTE

1. Placez une bobine de fil sur le porte-bobine et faites glisser le capuchon approprié sur la tige de la bobine jusqu'à ce qu'il soit appuyé contre la bobine de fil.
2. Passez le fil dans le guide-fil.
3. Passez le fil dans guide fil du bobineur
4. Guidez le fil à partir de la bobine et passez dans le disque de pré-tension tel que montré.
5. Insérez le fil dans le trou de la canette de l'intérieur vers l'extérieur.
6. Placez la canette sur la tige du bobineur et pousser vers la droite pour enclencher le bobinage.
7. Tenez le bout du fil et démarrez la machine.

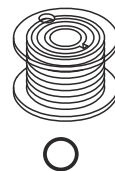


8. Après quelques tours de canette, arrêtez la machine et couper le fil aussi près que possible du trou.
9. Démarrer la machine à nouveau, appuyez sur la pédale et bobiner la canette à vitesse moyenne.
10. Le bobinage s'arrêtera quand la canette sera pleine.
11. Poussez la canette et la tige vers la gauche. Retirez la canette de la tige et coupez le fil.



### AVERTISSEMENT

- Si la bobine de fil est pas correctement placée, le fil peut s'emmêler sur la bobine.
- Assurez-vous de suivre attentivement les instructions. Si vous ne coupez pas le fil qui dépasse complètement avant le bobinage de la canette, lorsque le fil de la canette viendra à manquer, il peut s'emmêler autour de la bobine et l'aiguille risque de se casser.



Utilisez une canette qui a été correctement bobinée, sinon l'aiguille risque de casser ou la tension du fil ne sera pas adéquate.

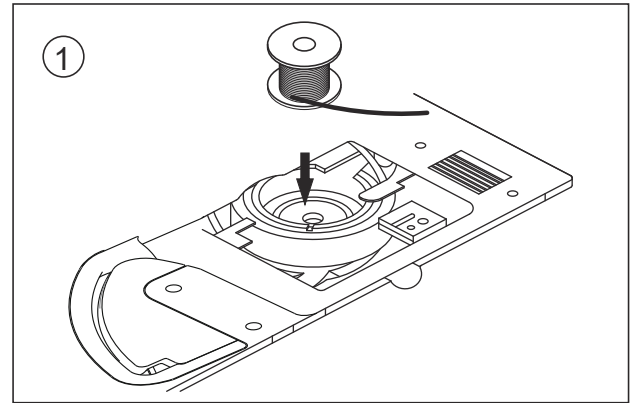
## Enfilage Inférieur

### INSERTION DE LA CANETTE

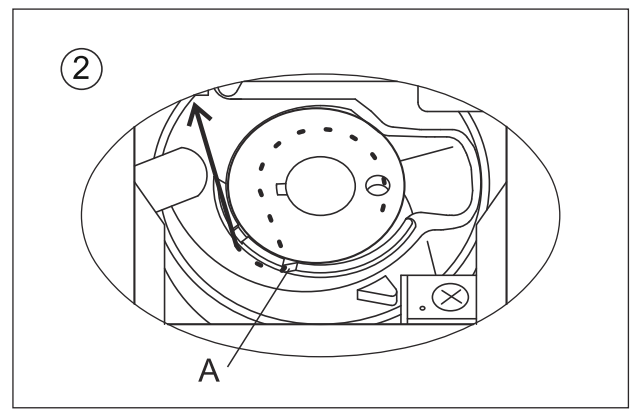
1. Insérez la canette dans le boîtier de canette avec déroulement du fil dans le sens antihoraire

#### Note

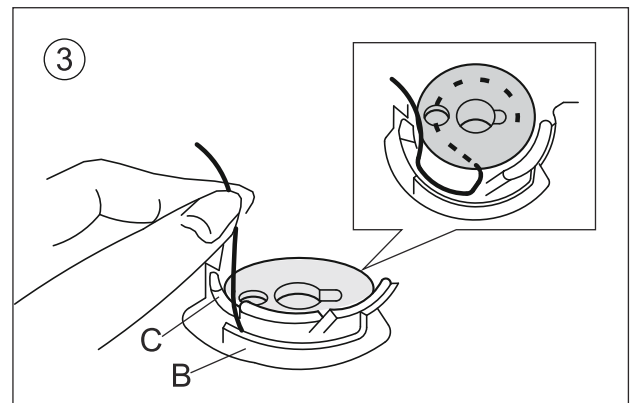
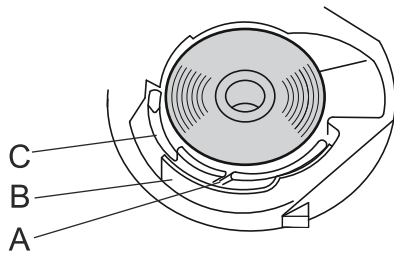
Utilisez pour cette machine des canettes Classe 15.  
Pour faire l'achat de canettes additionnelles, consultez votre Revendeur Baby Lock.



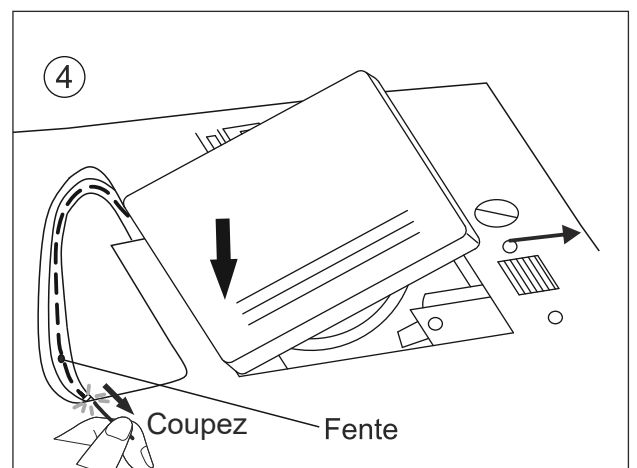
2. Faites passer le fil dans l'encoche (A)



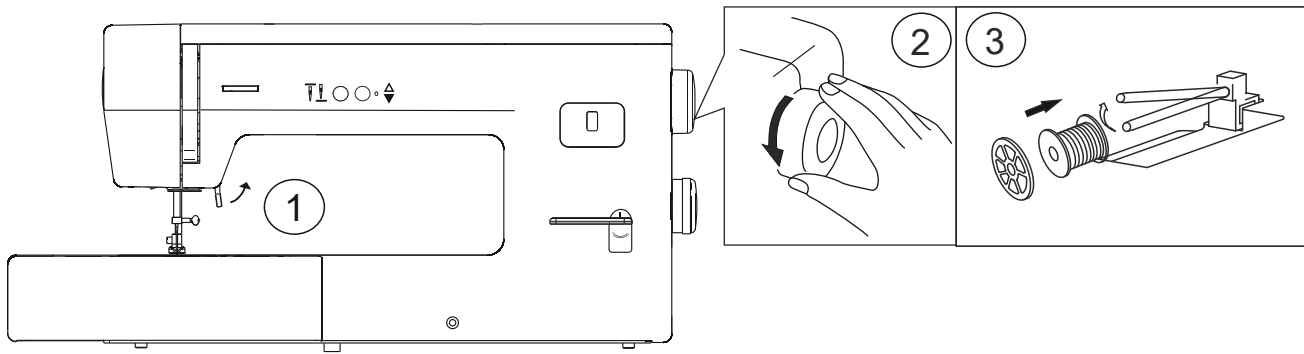
3. Tirez le fil vers la gauche et le long de l'intérieur du ressort (B) jusqu'à ce qu'il glisse dans l'encoche (C) en étant sûr que le fil ne glisse pas hors de l'encoche (A)



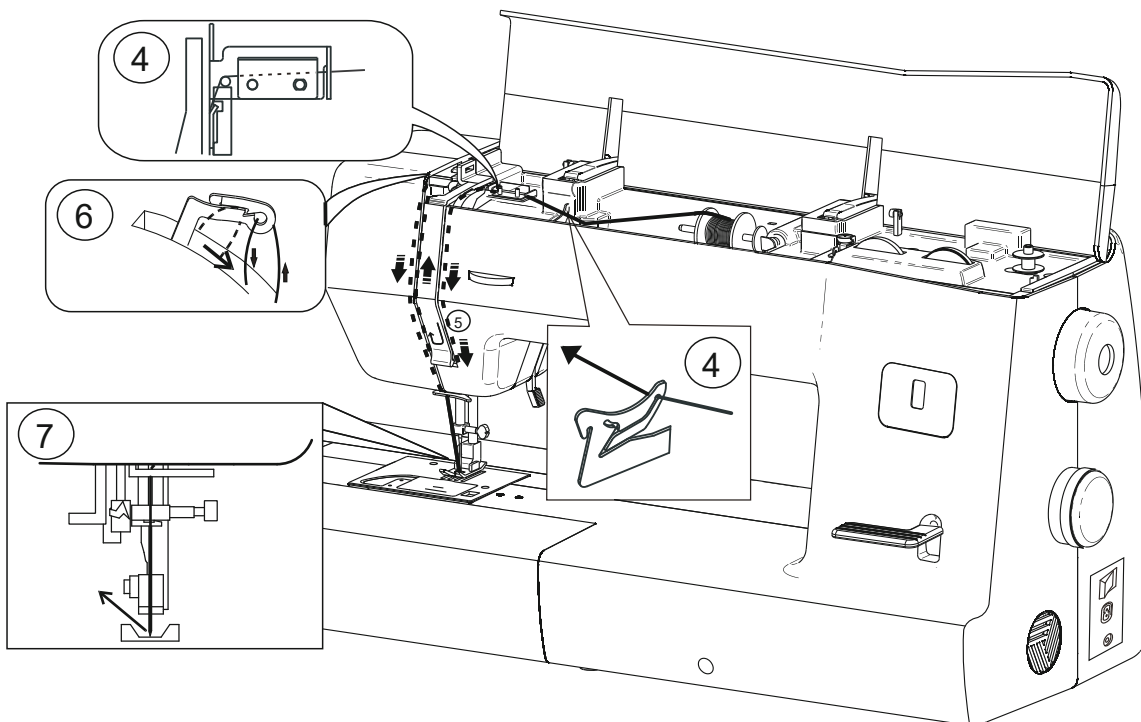
4. Tout en tenant délicatement le fil vers le bas de la canette avec votre main droite, guider le fil à travers la fente, tirez le fil vers vous et coupez à l'aide du coupe-fil comme indiqué, puis remettez le couvercle de canette et refermez.



## Enfilage Supérieur



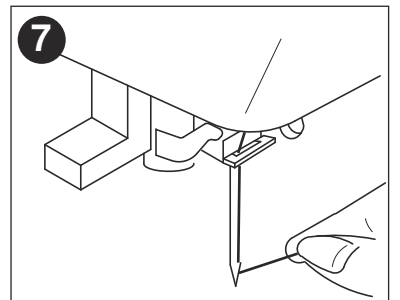
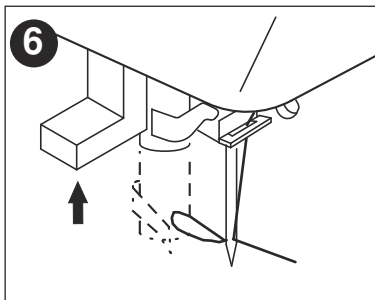
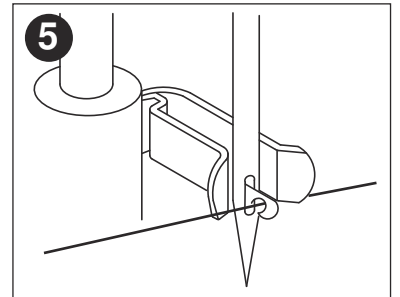
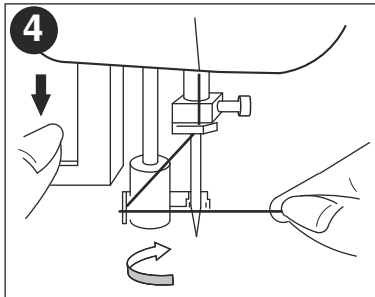
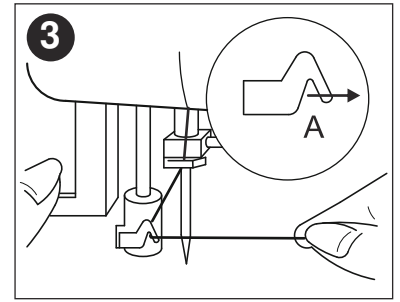
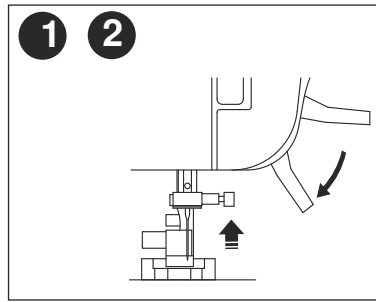
- 1 Relevez le levier du pied presseur.
- 2 Tournez le volant vers vous pour lever l'aiguille à la position la plus haute.
- 3 Placez le rouleau de fil sur la tige du porte-bobine et retenez le à l'aide du capuchon de taille approprié.
- 4 Passez le fil sous le guide fil et autour du disque de pré-tension pour enfiler la partie supérieure.
- 5 Glissez le fil dans le canal de droite, puis remontez le dans le canal de gauche.
- 6 Tirez le fil au travers et dans le releveur, de droite vers la gauche.
- 7 Faites passer le fil vers le bas dans le canal de gauche et dans le guide fil inférieur. Insérez le fil dans le guide fil du support de l'aiguille de droite vers la gauche.
- 8 Enfillez l'aiguille du devant vers l'arrière ou alors suivez les directives pour l'enfilage à l'aide de l'enfile aiguille. (Consultez la page 10)



## Utilisation de l'Enfile Aiguille

### ENFILE AIGUILLE

- 1 Abaissez le pied presseur.
  - 2 Réglez l'aiguille à la position la plus haute en pressant le bouton En Haut/En Bas (Up/Down).
  - 3 Abaissez l'enfileur doucement et tirez le fil à travers le guide-fil (A) et tirez vers la droite.
  - 4 Abaissez le levier aussi bas que possible de manière à ce que l'enfileur pivote et que le crochet s'insère dans le chas de l'aiguille.
  - 5 Positionnez le fil sous le chas de l'aiguille et sous la tige du crochet.
  - 6 Tenez le fil sans serrer et relâchez le levier. Le crochet tourne et enfile à travers le chas de l'aiguille tout en formant une boucle.
  - 7 Soulevez le pied presseur et tirez fil vers l'extérieur environ 25 cm à partir du chas de l'aiguille.
- Remarque: L'enfileur est utilisé pour les aiguilles tailles 11,12,14, et 16.

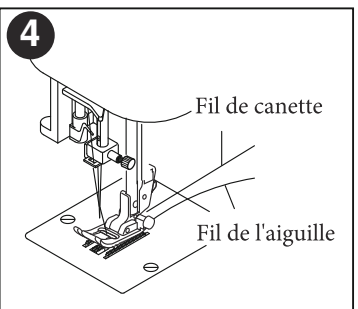
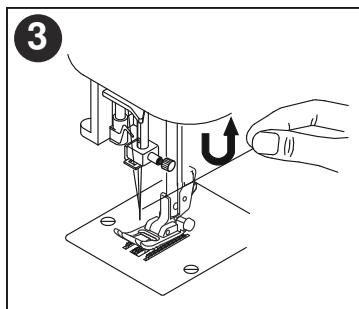
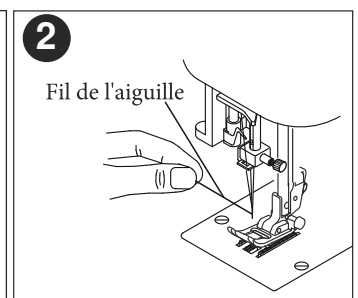
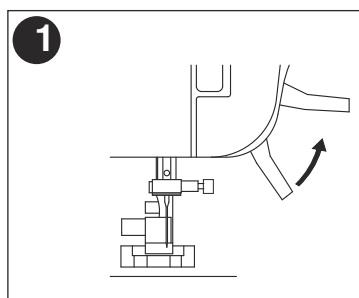


### ATTENTION: Pour éviter les accidents

Ne pas abaisser le levier de l'enfileur alors que la machine est en marche

## Remontage du Fil de Canette

- 1 Relevez le levier du pied presseur.
- 2 Tenez le fil de l'aiguille sans serrer avec votre main gauche et pressez le bouton En Haut/En Bas (Up/Down) afin que l'aiguille s'abaisse dans la plaque aiguille, puis revenez à la position la plus haute.
- 3 Tirez doucement le fil vers le haut jusqu'à ce que la boucle du fil de canette remonte.
- 4 Saisissez le fil de canette et tirez les fils supérieur et de canette pour les insérer sous le pied presseur et vers l'arrière, pour laisser environ 12.5 cm en longueur.

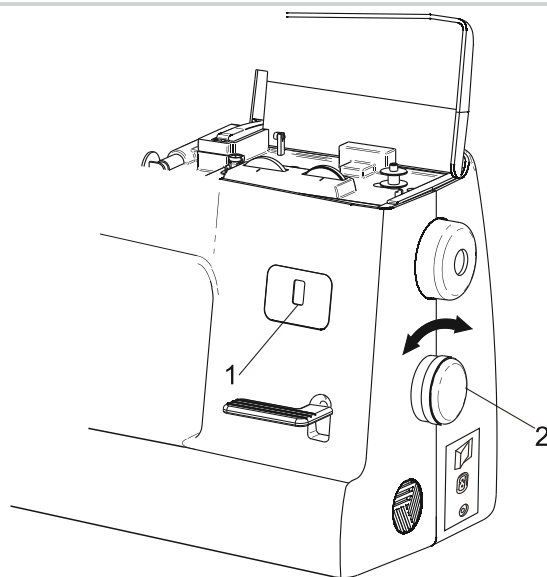


# CONTRÔLES

## Bouton Sélection de Motif et Indicateur

Les motifs de points sont affichés au couvercle interne de la machine.

Pour choisir un point, il suffit de tourner la molette de sélection du motif dans un sens ou dans l'autre jusqu'à ce que le point désiré s'affiche dans la fenêtre de l'Indicateur de Motif.

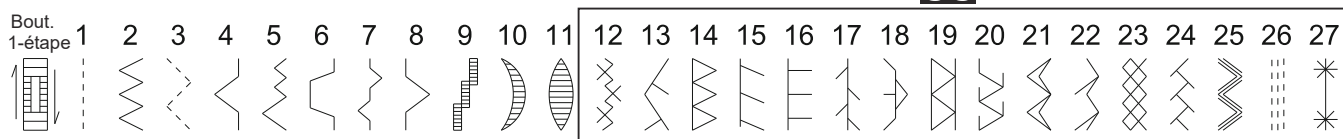


1 Indicateur du Motif  
2 Bouton Sélecteur de Motif

### AVERTISSEMENT

• Lorsque vous utilisez la molette de sélection du point pour choisir un motif, tourner le volant vers vous (dans le sens antihoraire) pour régler l'aiguille dans la position la plus élevée. Si l'aiguille est en position basse lorsque vous tournez la molette de sélection de motif, l'aiguille, le pied presseur ou le tissu pourraient être endommagés.

### ■ 28 points



**Memo : Réglage Parfait du Point Élastique**

Longueur du Point: **Gold 4**

Largeur du Point: **Gold 7**


## Bouton de Réglage Longueur de Point

Selon le point sélectionné, vous devrez peut-être ajuster la longueur du point pour de meilleurs résultats.

Les chiffres figurant sur le sélecteur de longueur de point représentent la longueur de point en millimètres (mm) (1/25 de pouce).

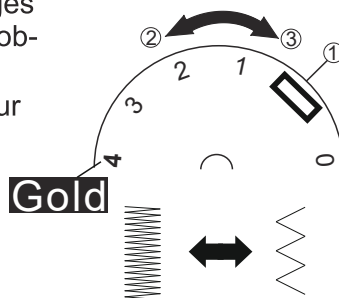
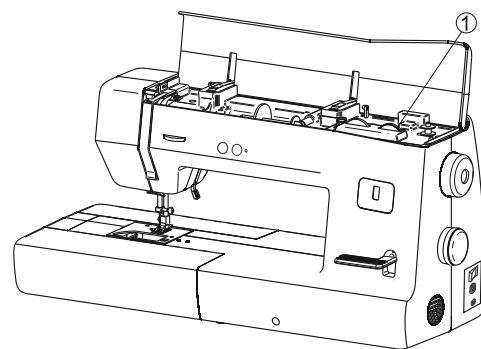
PLUS LE CHIFFRE EST ÉLEVÉ, PLUS LE POINT EST LONG.

Avec le réglage "0", le tissu ne sera pas alimenté. Il est utilisé seulement lors de la couture d'un bouton.

Cette  plage est pour faire un point de bourdon, qui est utilisé pour coudre des boutonsières et quelques points décoratifs. La position requise pour faire le point de bourdon varie en fonction du tissu et du fil utilisés.

Pour déterminer la position exacte du sélecteur, d'abord tester les réglages de point en largeur et en longueur sur une retaille du tissu à coudre et d'observer l'alimentation du tissu à coudre.

Pour coudre les tissus extensibles, tournez (**SS**) la longueur du point sur Gold 4 pour un réglage parfait.



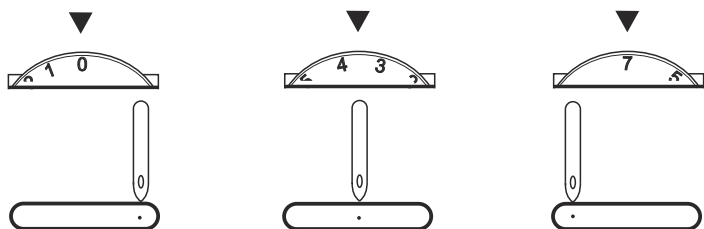
1 Bouton Longueur du Point  
2 Plus Court  
3 Plus Long

### AVERTISSEMENT

• Si les points se tassent, allongez le point et continuez à coudre. Ne continuez pas à coudre sans allonger la longueur de point, sinon l'aiguille risque de casser et d'endommager la machine ou de causer des blessures.

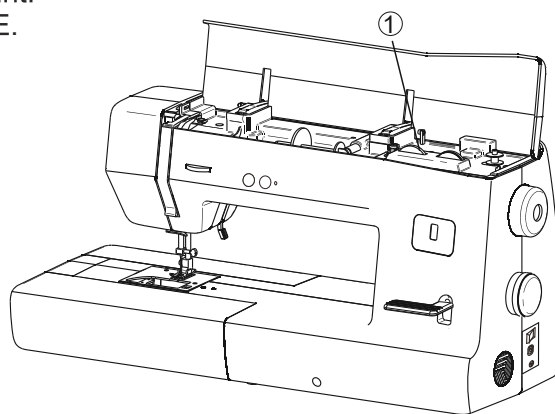
## Bouton de Réglage Largeur de Point

Les chiffres inscrits sur le bouton représentent la largeur du point.  
PLUS LE CHIFFRE EST ÉLEVÉ, PLUS LE POINT EST LARGE.



### Note

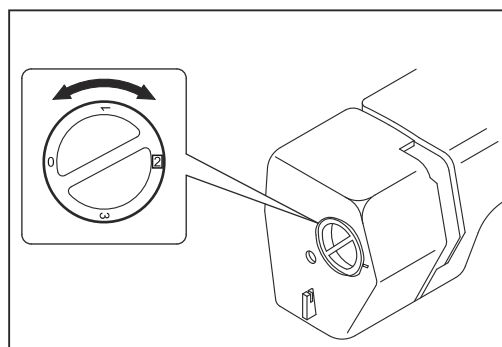
Lorsque le point élastique droit ou triple est sélectionné, la position de l'aiguille peut être changée de droite à gauche en réglant le sélecteur de largeur de point.



1 Bouton Largeur du Point

## Bouton d'Ajustement de la Pression du Pied

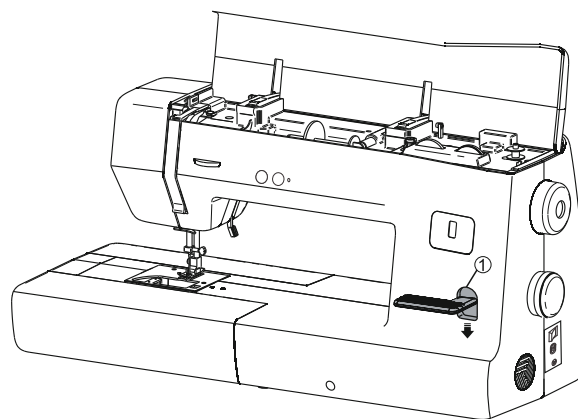
Vous pouvez régler la pression du pied presseur (la force de pression appliquée sur le tissu par la semelle) en ajustant la pression du pied presseur «Réglage Dail». Plus le nombre est élevé, plus il y aura de pression. Régler la pression à "2" pour la couture normale.



## Levier Marche Arrière

Vous pouvez utiliser la couture en marche arrière pour faire un point d'arrêt ou renforcer des coutures.

Pour coudre en marche arrière, appuyez sur le levier marche arrière vers le bas aussi loin que possible, gardez cette position tout en appuyant doucement sur la pédale. Pour coudre en marche avant, relâchez le levier de marche arrière. La machine sera automatiquement en mode marche avant.



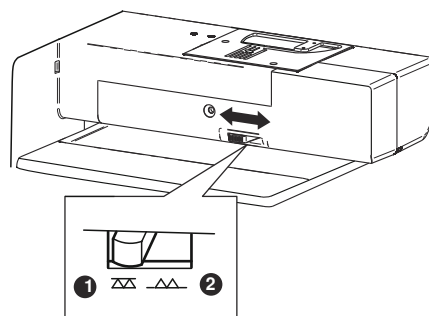
1 Levier marche Arrière

## Levier pour escamoter les Griffes

Les griffes doivent être relevées pour la couture en générale. Escamotez les griffes pour le raccommodage en mouvement, la broderie, le monogramme et le point de courtepoinette moucheté. Lorsque les griffes sont escamotées, vous devez garder le tissu en mouvement tout en cousant.

1 Pour escamoter les griffes, glissez le levier vers la gauche.

2 Pour relever les griffes, glissez le levier vers la droite.

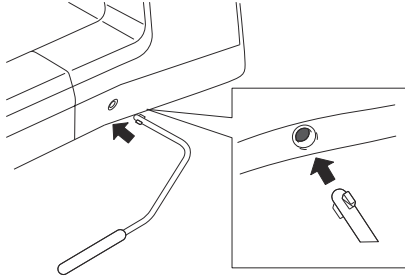




## Genouillère

Utilisez la genouillère pour soulever et abaisser le pied presseur à l'aide de votre genou, afin de garder vos mains libres pour manipuler le tissu.

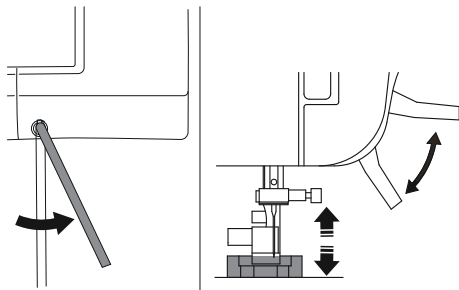
- 1 Alignez les languettes de la genouillère avec les encoches de la fente de montage situées à l'avant de la machine. Enclenchez la barre de la genouillère bien en place.



### Note

Si la barre n'est pas bien enclenchée dans la fente de montage, elle pourrait sortir lors de l'utilisation.

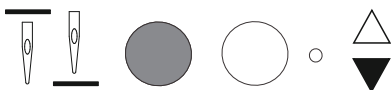
- 2 Utilisez votre genou pour déplacer la genouillère vers droite pour relever le pied presseur. Relâchez la genouillère pour abaisser le pied presseur.



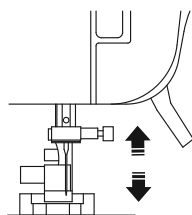
Veillez à garder votre genou loin de la genouillère pendant la couture. Si la genouillère est poussée pendant le fonctionnement de la machine, l'aiguille risque de casser ou la tension du fil pourrait se desserrer.



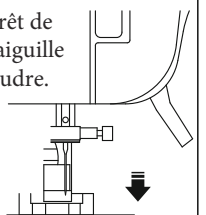
### Avertissement



Lorsque vous appuyez sur la touche position de l'aiguille, l'aiguille sera en position haute, appuyez de nouveau sur l'aiguille et elle sera en position basse.



- Lorsque vous appuyez sur le bouton de position d'arrêt de l'aiguille, le voyant DEL indique que la position de l'aiguille s'arrête automatiquement lorsque vous arrêtez de coudre.
- Lorsque vous appuyez sur le bouton de position d'arrêt de l'aiguille, le voyant DEL est éteint, cela indique que la position de l'aiguille s'arrête automatiquement lorsque vous arrêtez de coudre.



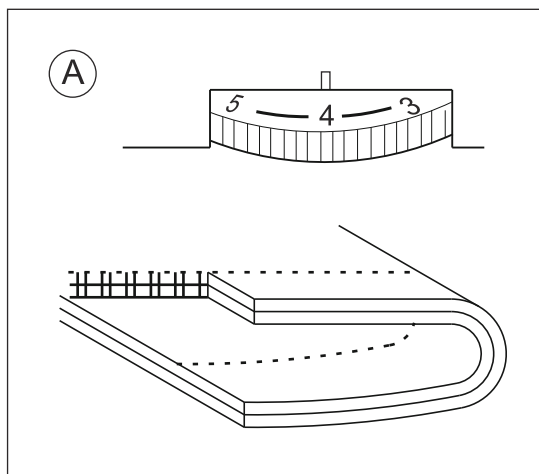


## AJUSTEMENT DE LA TENSION DU FIL SUPÉRIEUR

La tension du fil doit être correctement équilibré. Si un réglage est nécessaire, il peut être réalisé en modifiant la tension du fil supérieur

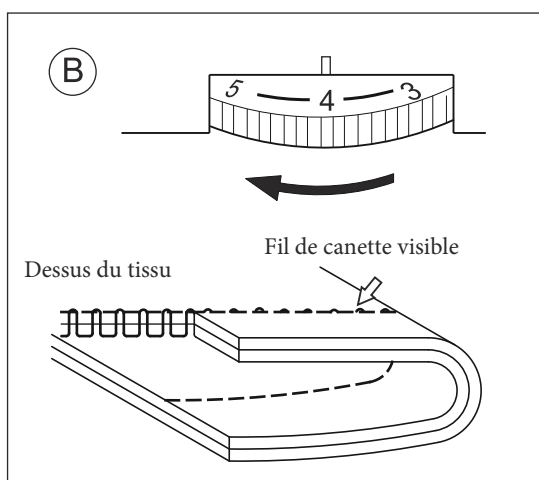
### A. Tension du fil adéquate

Le fil supérieur et le fil de canette devraient s'emboîter approximativement au centre de tissu



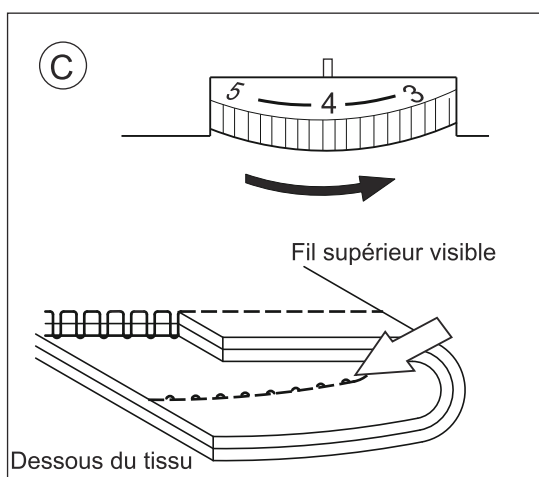
### B. Lorsque le fil de canette apparaît sur le dessus du tissu

Tournez la molette de tension à un nombre inférieur pour diminuer la tension du fil supérieur.



### C. Lorsque fil supérieur apparaît sur le côté inférieur du tissu

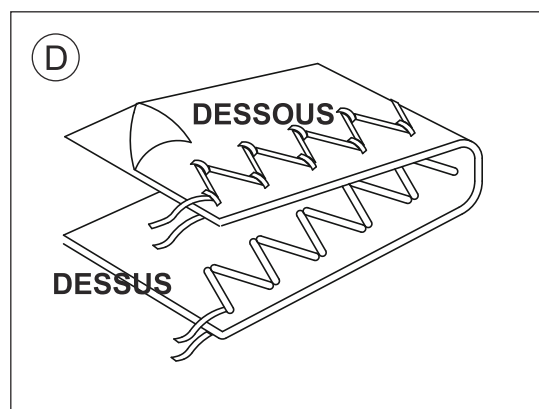
Tournez la molette de tension à un nombre supérieur pour augmenter la tension du fil supérieur.



### D. Tension du Fil pour Point de Zig zag

Pour coudre des points de zig zag, la tension du fil supérieur doit être réglé à une tension légèrement inférieure que lors de la couture de points droits.

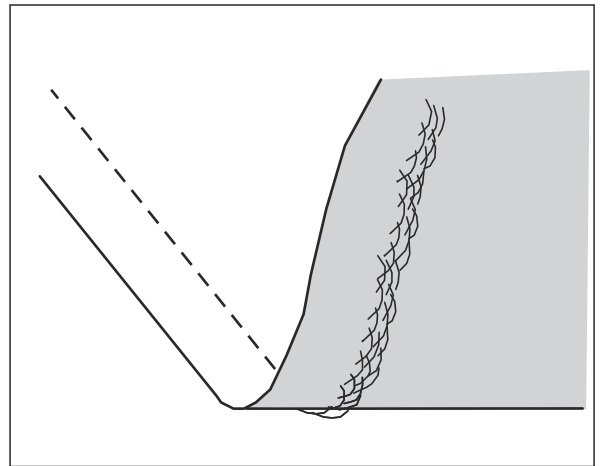
Vous obtiendrez un plus beau point si le fil supérieur apparaît légèrement sur le côté inférieur du tissu.



## ● Astuce

Tel que montré au dessin, les points sur le dessus du tissu sont bons, mais au dessous les fils ont tendance à se ramasser. Cela signifie généralement que le fil supérieur n'a pas été enfilé correctement ou que le régulateur de la tension n'a pas été réglé adéquatement.

Consultez la page 9 pour l'enfilage de la partie supérieure.



### Attention: pour éviter un accident

Les griffes vont automatiquement alimenter le tissu.

Ne pas tirer ou pousser sur le tissu avec les mains.

Ceci pourrait provoquer le bris de l'aiguille ou former des points de mauvaise qualité.

## TABLEAU POUR TISSU, FIL ET AIGUILLE

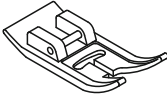
Système d'Aiguille	Taille d'Aiguille											
	5	7	8	9	10	11	12	13	14	16	18	
Ha x 1												
Système 705	45	55	60	65	70	75	80	85	90	100	110	

Sélectionnez la taille du fil et de l'aiguille en conformité avec le tissu à coudre

Genre de Tissu	Grosueur du Fil	Taille de l'Aiguille
● Tissu Léger- georgette fine , organdi,voile, taffetas, soie, etc.	Coton # 80-100 Soie 60-80 Syn. 80-100	70/10-75/11 70/10-80/12
● Tissu Moyen-vichy, piqué, lin, coton, satin, velours côtelé étroit, velours.	Coton # 50-80 Soie 50 Syn 50-80	80/12-90/14
● Tissu Lourd-gabardine, tweed, denim,velours côtelé	Coton # 40-50 Soie 50 Syn. 50-60	90/14-100/16
● Tissu Extensible-tricot double, tricot, spandex, jersey	Coton # 50-80 Soie 50 Fil pour Tricot	80/12-90/14 Aiguille pour tricot et tissu synthétique

Pour le changement d'aiguille, consultez la page 6

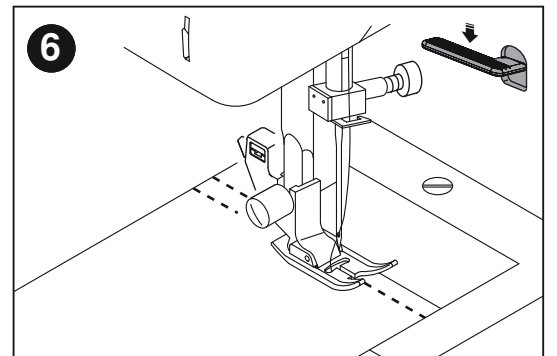
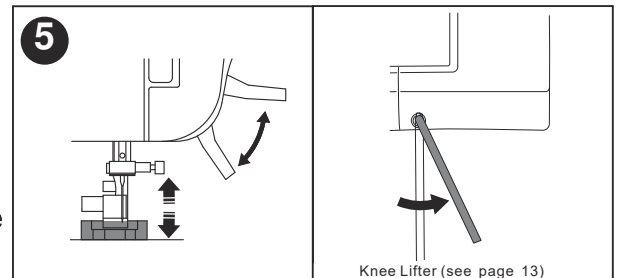
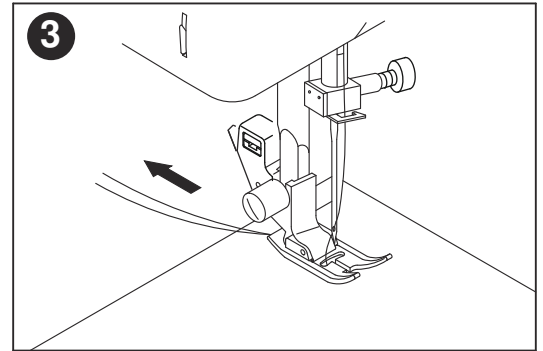
# COUTURE DE POINTS DROITS

Nom du Point	Motif	Bouton Longueur du Point [mm(pouce)]	Bouton Largeur du Point [mm(pouce)]	Semelle tout Usage
Point Droit	1 ⋮	1-4 (1/64-3/16)	0-7* (0-3/16)	

\*Tournez le bouton de la largeur du point pour régler la position de l'aiguille. Réglez le bouton à 0 pour sélectionner la position de l'aiguille à droite; régler le bouton à 7 pour sélectionnez la position de l'aiguille à gauche.

## ■ Pour commencer à coudre

- 1 Réglez le bouton de sélection de motif sur Couture Droite.  
**Note:** En tournant le sélecteur de motif vous serez en mesure de choisir le motif désiré.
- 2 Relevez l'aiguille à la position la plus haute et soulevez le levier du pied presseur.
- 3 Orientez les fils supérieur et de canette sous le pied presseur et vers l'arrière de la machine.
- 4 Placez le tissu sous le pied presseur positionnez l'aiguille à 1cm (3/8 pouce) de la lisière du tissu.
- 5 Abaissez le pied presseur.
- 6 Pour faire le point d'arrêt, abaissez le bouton de marche arrière aussi loin que possible maintenez et appuyez sur la pédale pour commander la couture en marche arrière. Relâchez la pédale pour arrêter la couture.
- 7 Relâchez le bouton de marche arrière et commencer la couture en marche avant en appuyant sur la pédale.

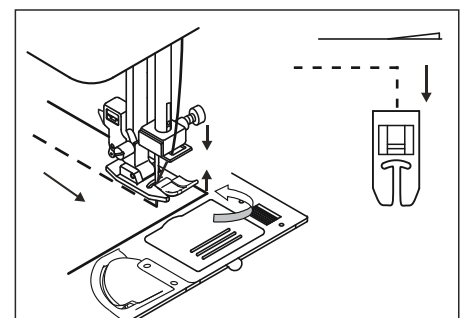


## Avertissement

- Assurez-vous que l'aiguille ne touche pas d'épingle ou tout autre objet pendant la couture. Le fil pourrait s'emmêler ou l'aiguille pourrait casser, causant des dommages à la machine ou des blessures.

## ■ Pivotement de la Couture

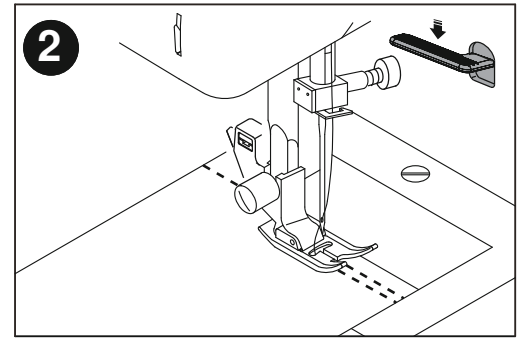
- 1 Arrêtez de coudre au point de pivotement, en laissant l'aiguille piquée dans le tissu.
- 2 Relevez le pied presseur et pivoter le tissu dans la nouvelle direction de la couture en utilisant l'aiguille comme pivot.
- 3 Abaissez le pied presseur et commencez à coudre dans la nouvelle direction.



## ■ Couture de Finition

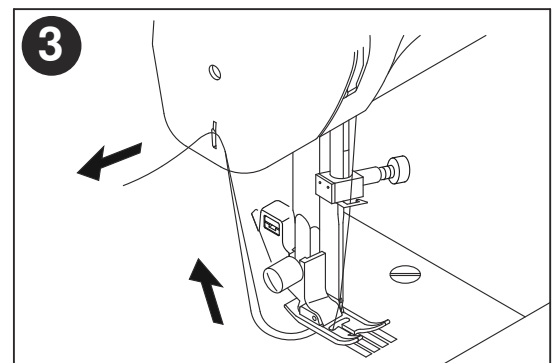
Vous pouvez utiliser des points pour bloquer les fils à la fin de la couture.

- 1 Pour bloquer les points, cousez jusqu'à la fin de la couture et arrêtez.
- 2 Abaissez le levier marche arrière maintenez, puis cousez sur environ 1 cm (3/8 pouce) de la lisière du tissu.



## ■ Retrait du Tissu de la Machine

- 1 Arrêtez la machine.  
Relevez l'aiguille à la position la plus haute et assurez-vous que le releveur est également à la position la plus haute.
- 2 Soulevez le pied presseur et retirez doucement le tissu vers la gauche de la machine.
- 3 Coupez les deux fils à l'aide du coupe-fil situé à la gauche de la machine.

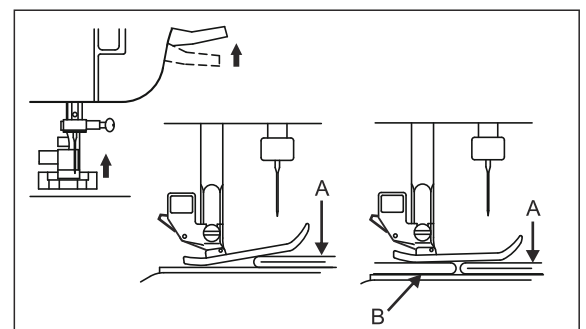


## ■ Pour la Couture des Tissus Lourds


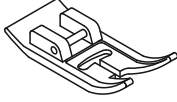
Lorsque vous cousez des tissus épais, le front de la semelle tend à relever et le tissu tâtonnera là où se trouve la localisation de l'épaisseur telle qu'une couture transversale. Dans ce cas, placez un morceau de carton ou de tissu de la même épaisseur dans la section arrière de la semelle au niveau du pied presseur.

Le levier du pied presseur peut être relevé d'un (1) échelon supérieur pour glisser les tissus lourds aisément sous le pied presseur.

Guidez soigneusement le tissu à l'aide de votre main lors de la couture des zones épaisses du tissu.

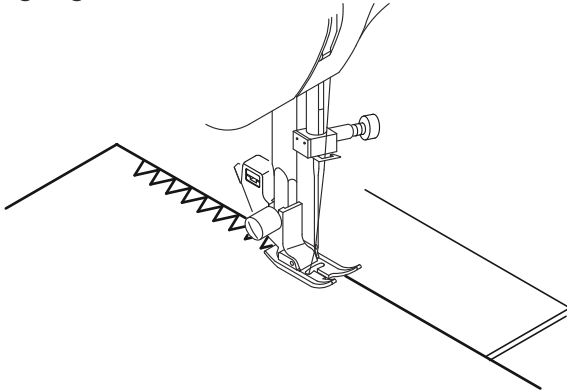


## COUTURE DE POINTS ZIGZAG


Nom du Point	Motif	Bouton Longueur du Point [mm(pouce)]	Bouton Largeur du Point [mm(pouce)]	Semelle tout Usage
Point Zigzag	2 	0-4 (0-3/16)	0-7* (0-3/16)	

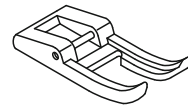
### ■ Point de Zigzag

- 1 Tournez la molette de sélection du motif Zigzag et commencer à coudre.



### ■ Point Bourdon

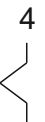

Pour régler le point zigzag en mode de Bourdon, tournez la molette sur le motif Zigzag, puis réglez la longueur du point entre 0 et 4, puis la largeur du point entre 0 et 7. Le point de Bourdon peut être utilisé pour la confection de boutonsnières  et quelques points décoratifs.

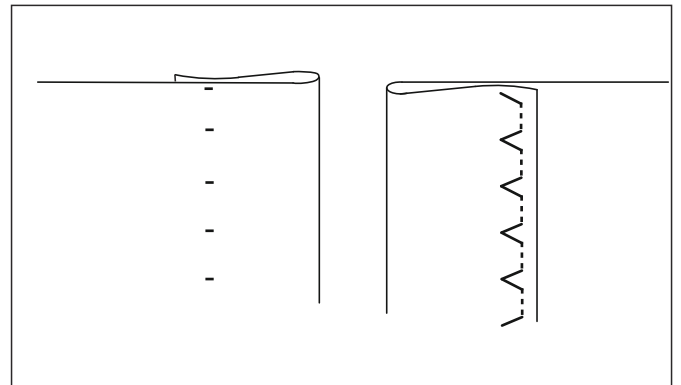


Semelle à Large Ouverture

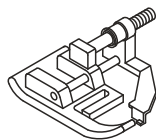


## COUTURE POUR OURLET CACHÉ

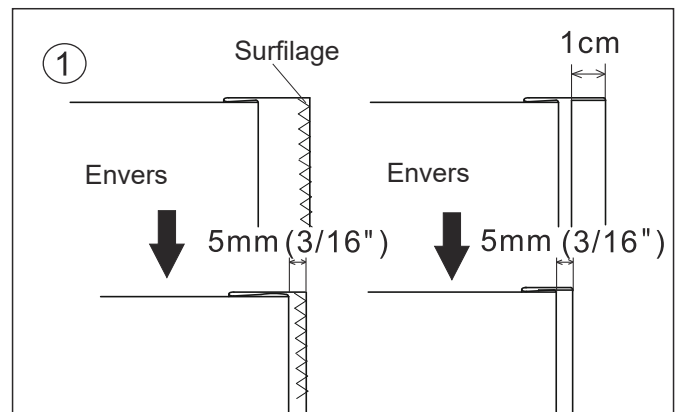
Nom du Point	Motif	Bouton Longueur du Point [mm(pouce)]	Bouton Largeur du Point [mm(pouce)]
Point Ourlet Caché	4 	1-4 (1/16-3/16)	5-7* (3/16-1/4)
Point Ourlet Caché Extensible	5 	1-4 (1/16-3/16)	5-7* (3/16-1/4)



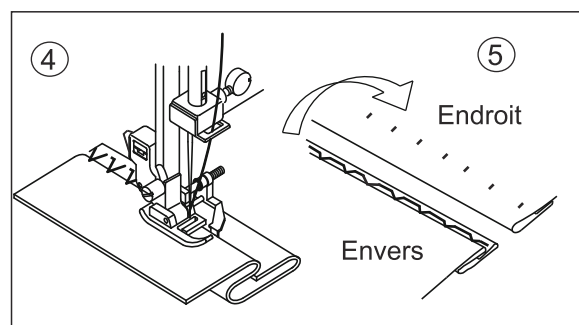
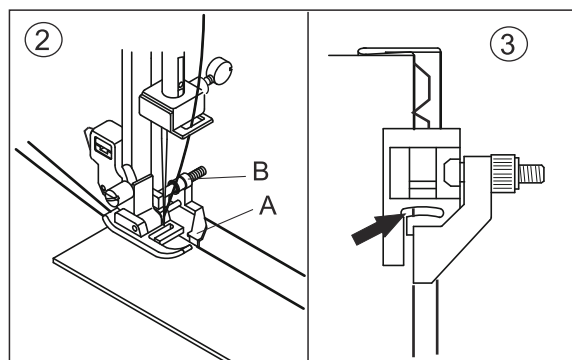
### Usage du Pied à Ourlet Caché



- 1 Pliez le tissu comme indiqué sur le dessin. Laisser 5 mm (environ 3/16 de pouce) prolongé au-delà du bord plié.



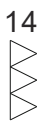
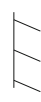

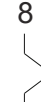
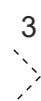
- 2 Le guide (A) du pied à ourlet caché assure une alimentation uniforme du tissu lors de la couture des ourlets cachés. Pour régler le guide (A) tournez la vis (B).
- 3 Placez le tissu de manière à ce que les points de la couture droite soient sur le bord de l'ourlet à plat afin que les points de zigzag saisissent un seul fil du bord replié. Tournez la vis de telle sorte que le guide effleure le bord plié du tissu.
- 4 Abaissez le pied presseur et cousez l'ourlet en guidant le tissu uniformément le long du guide.
- 5 Retournez le tissu une fois la couture terminée.



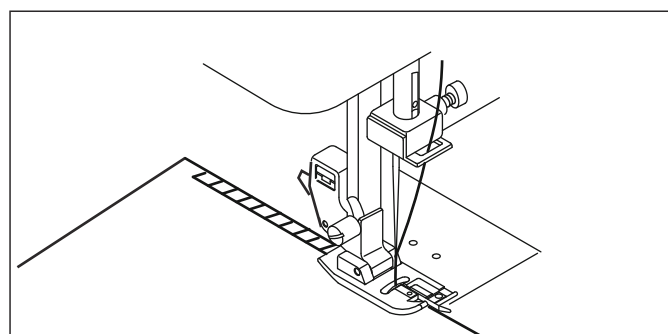
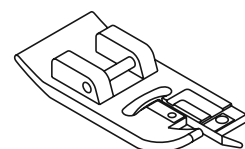
### Note

- Le point à Ourlet Caché Extensible est utilisé pour les tissus extensibles.
- Si trop de points sont visibles du côté endroit du tissu, optez pour un point plus étroit en largeur ou alors déplacez le guide du pied vers la droite. Si le zigzag n'atteint pas la pliure, évasez la largeur du point ou alors déplacez le guide du pied vers la gauche.

## SURFILAGE-SURJET

Nom du Point	Motif	Bouton Longueur du Point [mm(pouce)]	Bouton Largeur du Point [mm(pouce)]
Point de Surjet	14 	<b>SS Gold 4</b>	<b>SS Gold 7</b> 5-7* (3/16-1/4)
Point de Surfilage	15 	<b>SS Gold 4</b>	<b>SS Gold 7</b> 5-7* (3/16-1/4)
Double-Point de Surjet	19 	<b>SS Gold 4</b>	<b>SS Gold 7</b> 5-7* (3/16-1/4)
Point de Surfilage	8 	0-2 (0-1/16)	5-7* (3/16-1/4)
Point de Surfilage Élastique	3 	0-2 (0-1/16)	5-7* (3/16-1/4)

Pied à Surjet



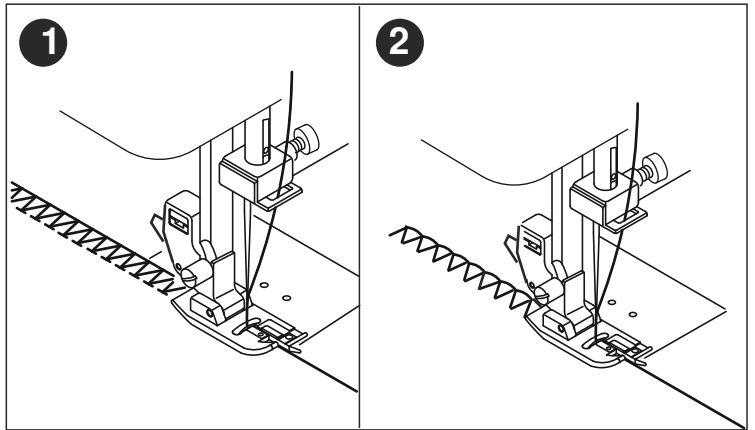
Appuyez le tissu contre la plaque guide du pied de surjet de sorte que l'aiguille se situe près du bord de l'étoffe.

- 1 Certains points peuvent assembler les coutures et surjeter dans une seule opération. Par conséquent, il est commode de les utiliser pour coudre les tissus faciles à effilocheur et les extensibles.
- 2 Les points de surfil sont utilisés (largeur 5.0 à 7.0) pour empêcher les tissus de s'effilocheur.

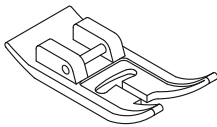


### AVERTISSEMENT

• Le pied à surfiler doit être utilisé pour les motifs 14, 15 et 19 seulement, la largeur ne doit pas être moins de 5.0, car il se pourrait autrement que l'aiguille heurte la semelle et qu'il y ait bris de l'aiguille.

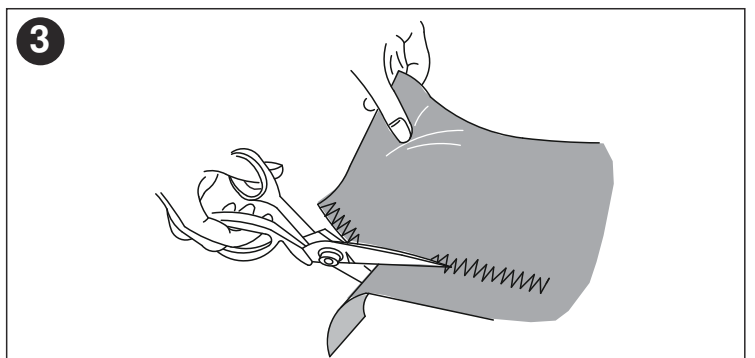
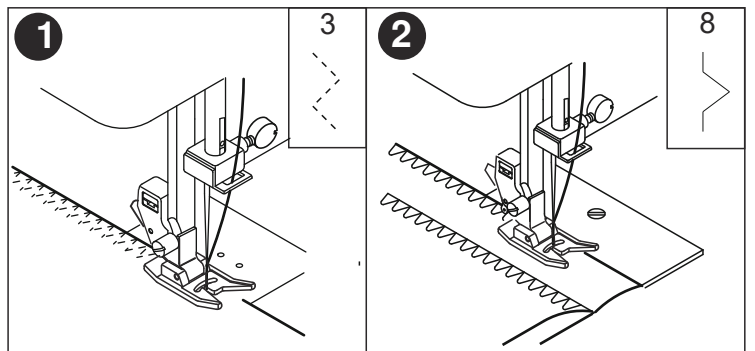


Utilisez la Semelle tout Usage



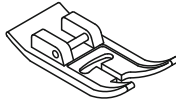
Lorsque vous utilisez la semelle tout usage, placez le tissu de manière à ce que l'aiguille s'abaisse près du bord du tissu.

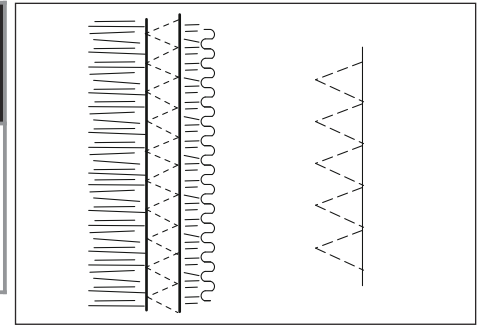
- 1 Utilisez une largeur de zigzag étroite pour la couture des tissus légers.
- 2 Ajustez la largeur et la longueur selon l'épaisseur des tissus tricots ou extensibles. (Lorsque vous utilisez le pied pour surjet, gardez la largeur du point à 5.0mm.)
- 3 Pour les coutures de 1cm 1/2 (1/2 pouce) rognez l'excédent de tissu près de la couture. Veillez à ne pas couper le fil de la bordure lors de la coupe.





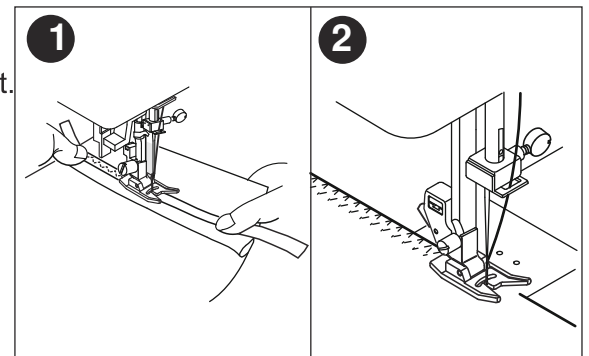
## ZIGZAG MULTI- POINTS

Nom du Point	Motif	Bouton Longueur de Point [mm(pouce)]	Bouton Largeur de Point [mm(pouce)]	Semelle tout Usage
Point de Surfilage Élastique	3	0-2 (0-1/16)	5-7* (3/16-1/4)	

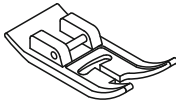
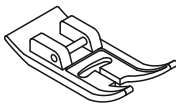


Utilisé pour la couture sur bande élastique et surpiquage sur les tricots.

- 1** Couture Élastique  
Étirez l'élastique à l'avant et à l'arrière de l'aiguille tout en cousant. Faites attention de ne pas tordre l'aiguille pendant la couture.
- 2** Surfilage  
Utilisez ce point pour empêcher l'effilochage des tissus et des tricots.  
Guidez le tissu de manière à ce le point du côté droit soit au bord de la lisière. (Consultez la page. 20)

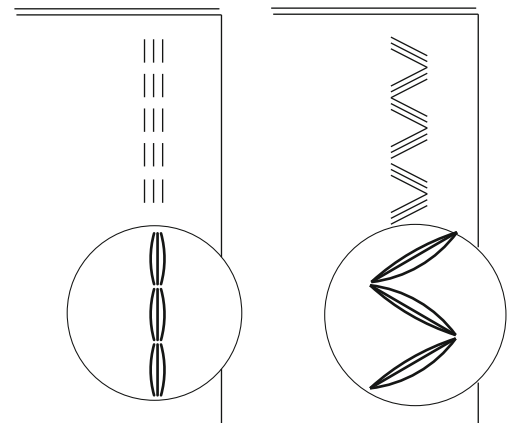


## COUTURE POINTS ÉLASTIQUES

Nom du Point	Motif	Bouton Longueur de Point [mm(pouce)]	Bouton Largeur de Point [mm(pouce)]	Semelle tout Usage
Point Triple	26	<b>SS Gold 4</b>	<b>SS Gold 7</b> 3.5-7* (1/8-1/4)	
Rick-Rack	25	<b>SS Gold 4</b>	<b>SS Gold 7</b> 3.5-7* (1/8-1/4)	

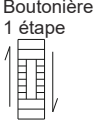

Le point extensible assure la solidité et la flexibilité sans rupture. Conseillé pour assurer l'élasticité aux coutures qui nécessitent de la flexibilité. Recommandé pour coudre les tissus durables tel que le denim.

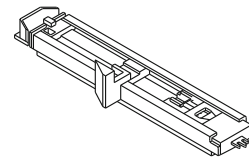
Nous vous recommandons d'utiliser une aiguille pour les tricots et synthétiques pour éviter les sauts de points et les bris de fil.



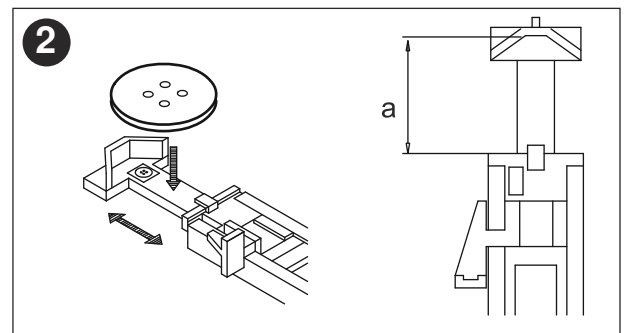
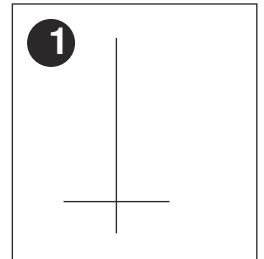
# COUTURE DES BOUTONNIÈRES

## Utilisez la Semelle pour Boutonnière

Nom du Point	Motif	Bouton Longueur de Point [mm(pouce)]	Bouton Largeur de Point [mm(pouce)]
Boutonnière	Boutonnière 1 étape 	0-1  (0-1/16)	3.5-7* (1/8-1/4)



- 1 Marquer l'emplacement et la longueur de la boutonnière sur le tissu.
- 2 Insérez le bouton sur la base du pied glissez la partie coulissante vers l'avant pour sécuriser. \* Si le bouton ne tient pas sur la base, ajustez la partie coulissante au diamètre et à l'épaisseur du bouton.  
a = Diamètre du bouton + épaisseur
- 3 Passez le fil supérieur à travers l'ouverture du pied de la boutonnière et de l'espace pour l'aiguille puis enclenchez le pied pour boutonnière à la machine. Glissez les fils supérieur et de la canette sous le pied puis vers la gauche.
- 4 Positionnez le tissu sous le pied boutonnière de manière à ce que la ligne centrale soit alignée avec l'ouverture du pied de la boutonnière et de l'espace pour l'aiguille. Une fois la partie principale du pied repoussée vers l'arrière, abaissez le levier du pied presseur.
- 5 Abaissez le levier de la boutonnière aussi bas que possible et poussez le levier vers l'arrière jusqu'au déclic.

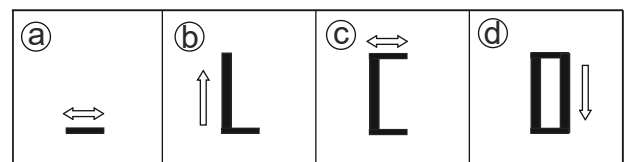
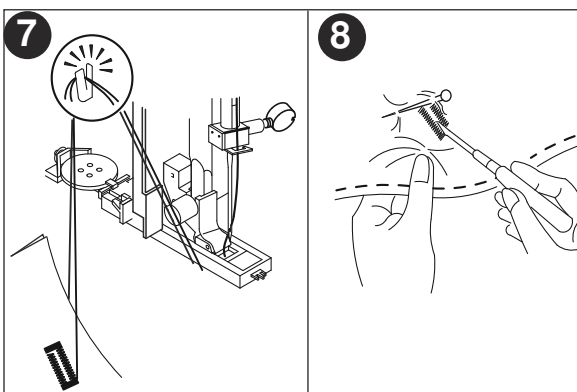
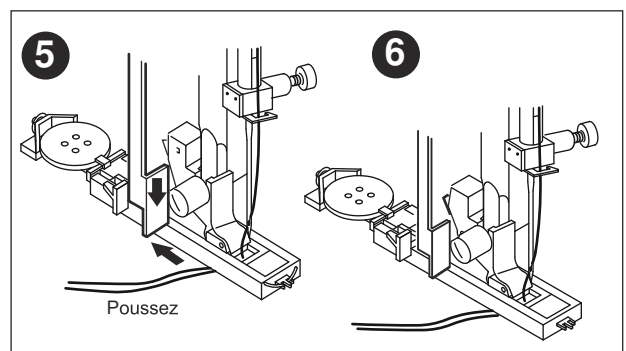
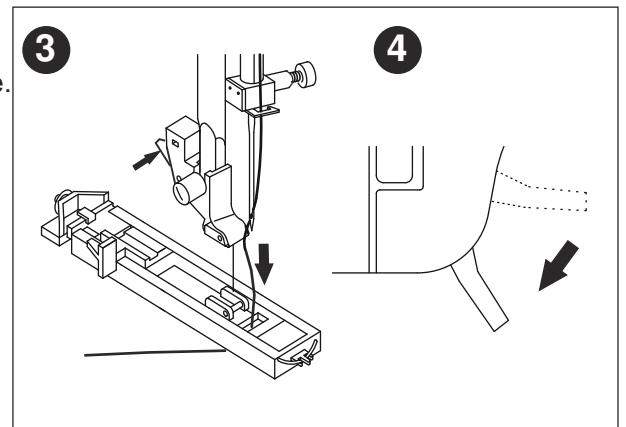


- 6 Maintenez le fil supérieur en douceur et démarrez la machine. Arrêtez la couture lorsque le côté droit de la boutonnière est terminé.

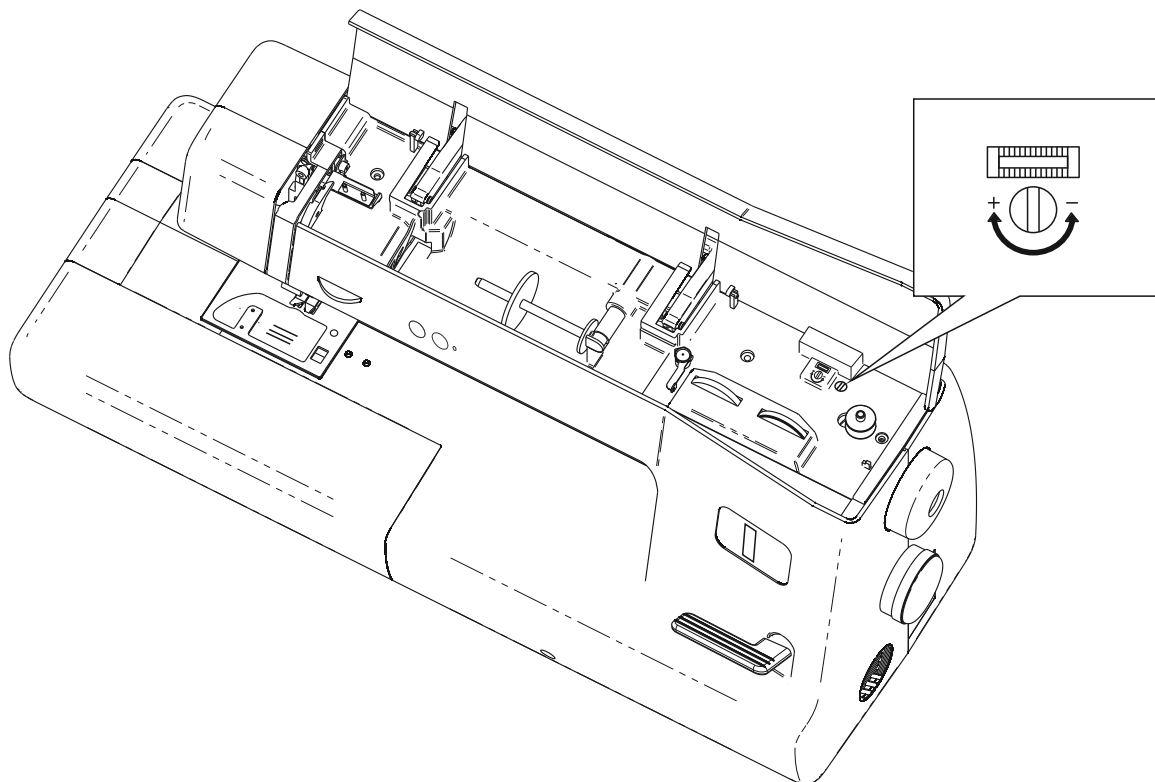


### Note

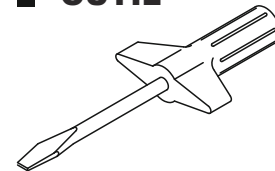
- La machine ne commencera pas à coudre si le levier de la boutonnière n'a pas été abaissé correctement ou si le pied boutonnière est mal enclenché.
- 7 Relevez le pied presseur et coupez les fils. Pour coudre une autre boutonnière semblable, relevez le pied presseur pour retourner à la position de départ.
  - 8 À l'aide de l'outil pour ouvrir la boutonnière, coupez le centre de la boutonnière. Attention à ne pas couper les points de part et d'autre. Utilisez une épingle comme butée.



## RÉGLAGE FIN DES BOUTONNIÈRES



### ■ OUTIL

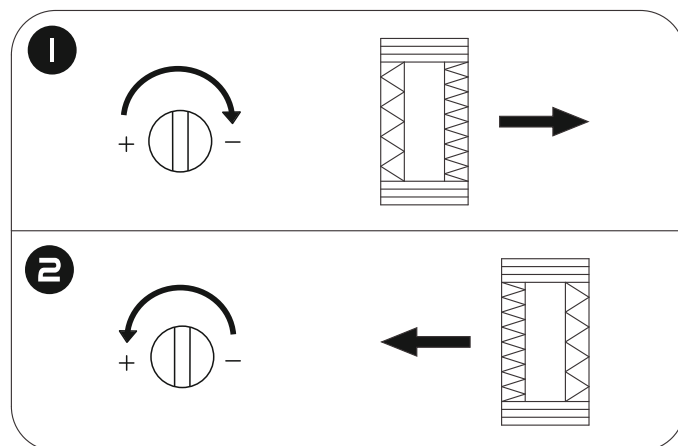


Gros Tournevis

Différents types de tissu peuvent avoir des résultats de couture différents lorsque la boutonnière est cousue. La densité de points du côté gauche ou droit de la boutonnière peut être déséquilibrée. Le réglage fin de la boutonnière vous permettra de faire des ajustements en tournant légèrement la vis avec le gros tournevis inclus.

**1** Si la densité de point sur le côté droit de la boutonnière est inférieure à celle du côté gauche, utilisez le gros tournevis pour tourner légèrement la vis de réglage fin vers la droite (dans le sens des aiguilles d'une montre). La densité accrue apparaîtra sur le côté droit de la boutonnière (comme indiqué).

**2** Si la densité de point sur le côté gauche de la boutonnière est inférieure à celle du côté droit, utilisez le grand tournevis pour tourner légèrement la vis de réglage fin vers la gauche (dans le sens inverse des aiguilles d'une montre). La densité accrue apparaîtra sur le côté gauche de la boutonnière (comme indiqué).



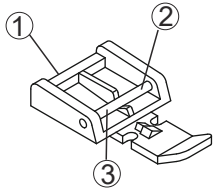
# INSERTION FERMETURES ET PASSEPOIL

Nom du Point	Motif	Bouton Longueur de point [mm(pouce)]	Bouton Largeur de Point [mm(pouce)]
Point Droit	1 ..... 1	0-4 (0-3/16)	3.5 (centre) (1/8)

Vous pouvez utiliser le pied fermeture éclair pour coudre différents types de fermetures éclair, vous pouvez donc facilement le positionner à droite ou à gauche de l'aiguille.

Lorsque vous cousez le côté droit de la fermeture éclair, fixez le support du pied presseur à la goupille gauche du pied à fermeture éclair.

Lorsque vous cousez le côté gauche de la fermeture éclair, fixez le support du pied presseur à la goupille droite du pied à fermeture éclair.



1 Pied Fermeture Éclair

- 2 Goupille droite pour coudre le côté gauche de la fermeture et  
3 Goupille gauche pour coudre le côté droit de la fermeture

Alignez le côté droit ou le côté gauche de la goupille du pied à fermeture éclair avec le support du pied presseur, abaissez le levier du pied presseur pour enclencher.

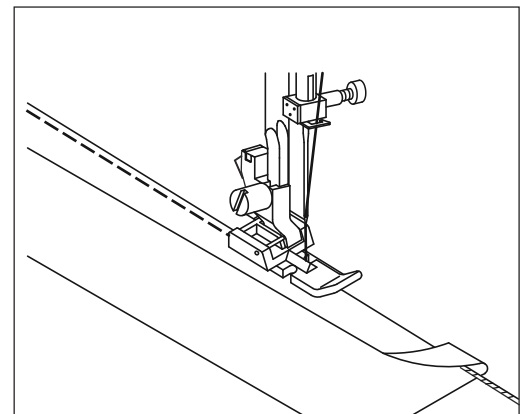
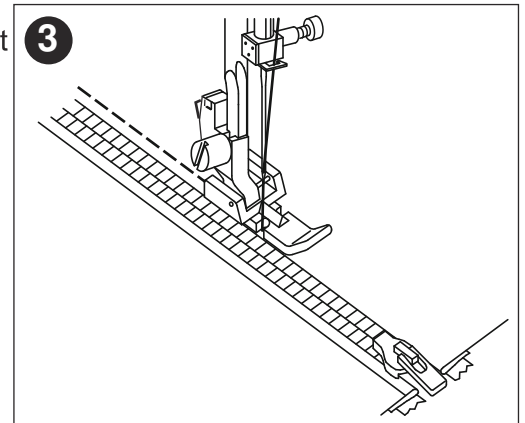
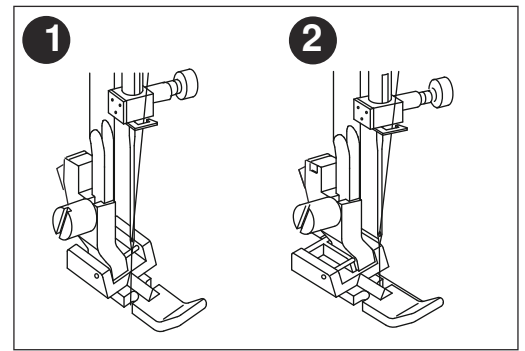
- 1 Les points de l'aiguille à gauche du pied.
- 2 Les points de l'aiguille à droite du pied.
- 3 Pour l'insertion des fermetures éclair, consultez les instructions sur l'emballage sur la manière de préparer la patte fermoir et l'emplacement de la fermeture éclair. Pour coudre près de la glissière de la fermeture éclair sur le côté droit, enclenchez le pied pour fermeture éclair au support du pied presseur sur le côté gauche afin que l'aiguille passe à travers l'ouverture sur le côté gauche du pied. Puis enclenchez le pied au support du pied presseur de l'autre côté, pour coudre près du côté gauche de la fermeture.

## PASSEPOIL

Pour la confection d'un passepoil, achetez-le préfabriqué avec une bande biais ou alors couvrez un cordonnet avec une bande biais de tissu et à l'aide de la semelle à fermeture éclair enclenchez du côté droit au support du pied presseur. Insérez le passepoil entre deux épaisseurs de tissu. Cousez le passepoil à côté de la semelle de manière à ce que la couture soit serrée contre le cordonnet.

### AVERTISSEMENT

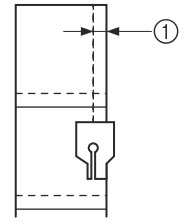
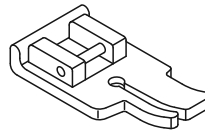
- Tourner le volant à la main pour vous assurer que l'aiguille ne heurte pas le pied pour fermeture éclair au moment de commencer à coudre. Choisir un point différent, provoquera le risque que l'aiguille heurte la semelle et brise le pied presseur. Ce qui aura pour effet d'endommager la machine ou causer des blessures.
- Assurez-vous que l'aiguille ne heurte pas le fermoir durant la couture. Si l'aiguille heurte le fermoir, il pourrait y avoir bris d'aiguille, ce qui aurait pour effet d'endommager la machine ou causer des blessures.



## COUTURE POINT DROIT ET DE COURTEPOINTE

Nom du Point	Motif	Bouton Longueur de Point [mm(pouce)]	Bouton Largeur de Point [mm(pouce)]
Point Droit	1 ⋮	0-4 (0-3/16)	3.5 (centre) (1/8)

### Utilisez la Semelle 6.3 mm (1/4") pour Courtepointe



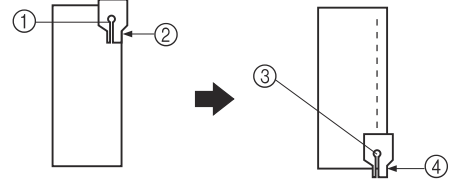
① Largeur de Couture 6.3 mm (1/4")

1 Réglez le bouton de sélection de motif sur le point droit. Réglez la longueur de point entre 0 (0") et 4 (3/16"). Réglez la largeur du point à 3,5 (1/8") (position de l'aiguille au centre).

2 Enclenchez le Pied Courtepointe 6.3 mm (1/4").

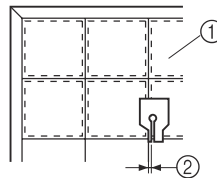
3 Placez la semelle sur le tissu et coudre comme le montre l'illustration de droite.

#### ■ Pour réaliser une valeur de couture précise



- ① Début de la couture
- ② Alignez ce côté du pied avec la lisière du tissu
- ③ Fin de la couture
- ④ Alignez ce côté du pied avec la lisière du tissu

#### ■ Pour assembler rapidement une Courtepointe



- ① Dessus du tissu
- ② Couture 3.2mm (1/8")

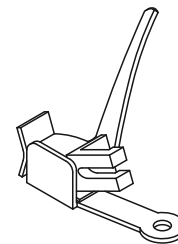
### AVERTISSEMENT

- Utilisez uniquement le motif point droit lors de la couture avec un pied pour point droit ou pied pour courtepointe 1/4". Choisir un point différent, provoquera le risque que l'aiguille heurte la semelle et brise le pied presseur. Ce qui aura pour effet d'endommager la machine ou causer des blessures.

## Raccommodage/Courtepointe Mouvement Libre

Nom du Point	Motif	Molette Longueur de Point [mm(pouce)]	Molette Largeur de Point [mm(pouce)]
Point Droit	1 ⋮	0-4 (0-3/16)	3.5 (centre) (1/8)

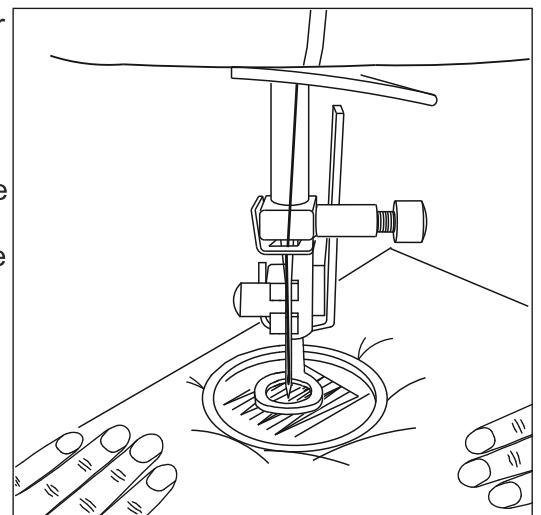
### Utilisez le pied pour Raccommode/Courtepointe Mouvement Libre






- Sélectionnez le point droit. Réglez l'aiguille à la position centre.
- Escamotez les griffes au niveau inférieur à l'aide du levier.
- Retirez le pied presseur et le support du pied presseur. Fixez le pied pour raccommodage/courtepointe mouvement libre à la barre avec le bras prolongée du pied reposant au-dessus de la vis du support d'aiguille.
- En tenant le fil de l'aiguille, piquez un point et tirez vers le haut le fil de la canette à travers le tissu.
- Abaissez le levier du pied presseur et commencez à coudre à une vitesse lente ou moyenne, déplacez le tissu avant et arrière à un rythme régulier.
- Tournez le tissu et coudre une autre épaisseur de couture sur la première épaisseur de couture.

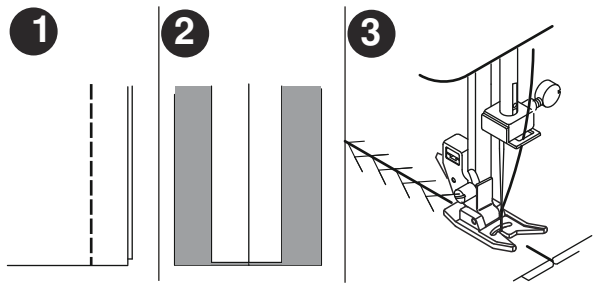
### AVERTISSEMENT

- Pour utiliser le pied raccommodage/courtepointe mouvement libre à la machine à l'aide de points zigzag, ne pas régler la largeur du point à plus de 4.0. Autrement l'aiguille peut dévier et heurter le pied raccommodage/courtepointe mouvement libre causant des dommages à la machine ou des blessures.



## Patch Work

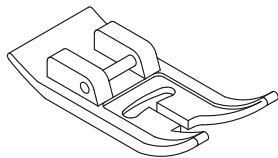
Nom du Point	Motif	Bouton Longueur de Point [mm(pouce)]	Bouton Largeur de Point [mm(pouce)]
Point Plume	17 	<b>SS Gold 4</b>	<b>SS Gold 7</b> 3.5-7* (1/8-1/4)
Point de Croix Décoratif	23 	<b>SS Gold 4</b>	<b>SS Gold 7</b> 3.5-7* (1/8-1/4)
Point Fagot	24 	<b>SS Gold 4</b>	<b>SS Gold 7</b> 3.5-7* (1/8-1/4)



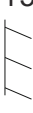

Pour des projets décoratifs supplémentaires, utilisez une variété de tissus différents.

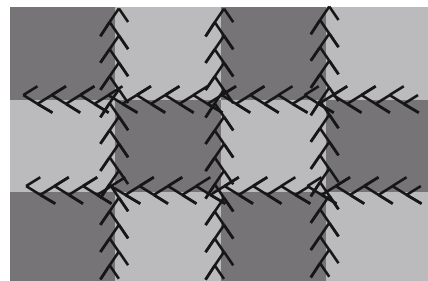
- 1 Placez deux pièces de tissu endroit contre endroit et cousez un point de faufil.
- 2 Pressez la couture ouverte.
- 3 Placez le tissu côté endroit vers vous et coudez sur la ligne de couture au centre du pied. Les points doivent se répartir de chaque côtés de la ligne de couture.

Utilisez la Semelle tout Usage

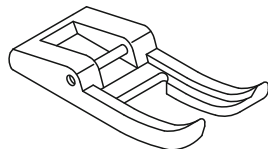


## APPLIQUÉ

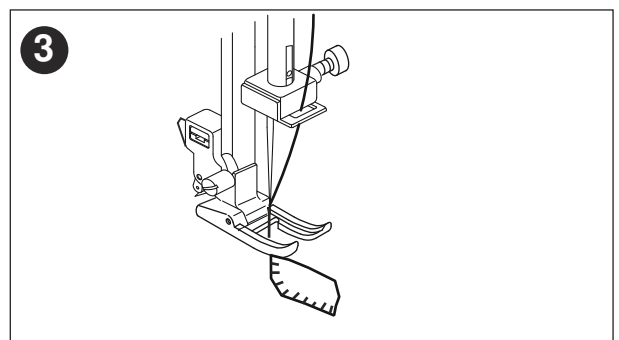
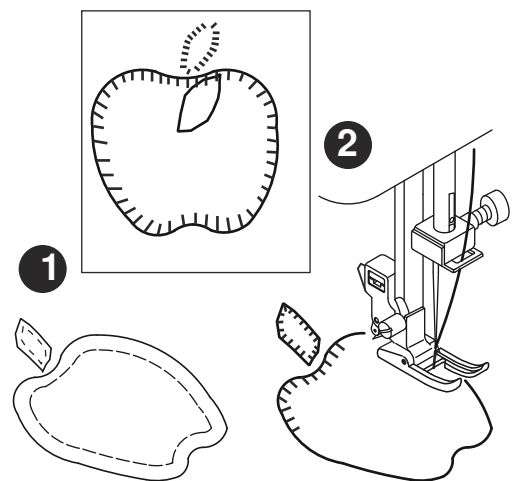
Nom du Point	Motif	Bouton Longueur du Point [mm(pouce)]	Bouton Largeur du Point [mm(pouce)]
Surfilage Décoratif	15 	<b>SS Gold 4</b>	<b>SS Gold 7</b> 3.5-7* (1/8-1/4)
Surfilage Décoratif pour Appliqué	16 	<b>SS Gold 4</b>	<b>SS Gold 7</b> 3.5-7* (1/8-1/4)



Utilisez la Semelle à Large Ouverture


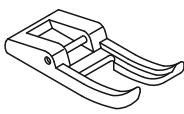
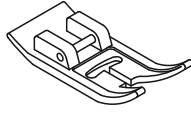


- 1 Positionnez l'appliqué sur le tissu, à l'aide de la colle à tissu thermocollante stabilisante repassez au fer ou repassez les points de faufil. (Lorsque vous utilisez un appliqué à bords effilochés, repliez la bordure 1/4" tout autour).
- 2 Cousez le long de la lisière de l'appliqué. Alignez la partie rectiligne du point avec le bord de l'appliqué afin de donner à votre projet un aspect fait main.
- 3 Pour pivoter aux coins, abaissez l'aiguille sur le côté droit du point. Relevez le pied presseur et à l'aide de l'aiguille comme pivot tournez le tissu.





# POINT FESTON

Nom du Point	Motif	Bouton Longueur de Point [mm(pouce)]	Bouton Largeur de Point [mm(pouce)]	Semelle Large Ouverture	Semelle tout Usage
Point Feston	10 	0-1 (0-1/16)	3.5-7* (1/8-1/4)		

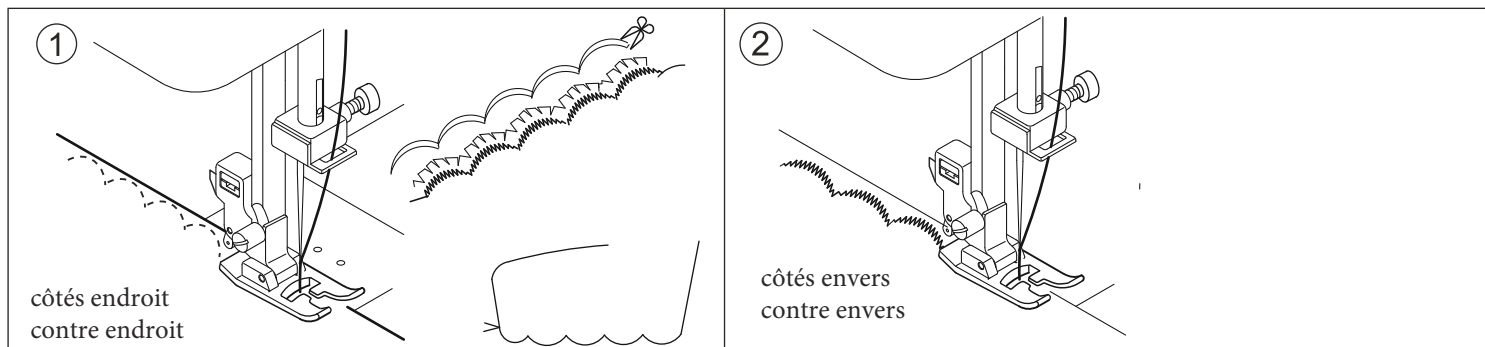
Ces points sont utilisés pour coudre une bordure décorative sur les vêtements et nappes de table à l'aide de la semelle à large ouverture ou la semelle tout usage.

## 1 OURLET FESTONNÉ

- (1) Pliez le tissu côtés endroit contre endroit et cousez le long de la lisière.
- (2) Coupez le tissu le long de la couture laissant un valeur de 3 mm (1/8") pour la couture. Crantez la valeur de couture.
- (3) Tournez le tissu avec les côtés endroit contre endroit et repoussez doucement la couture incurvée et pressez.

## 2 LISIÈRE DÉCORATIVE FESTONNÉE

- (1) Placez le tissu côtés envers contre envers et cousez le long de la lisière.
- (2) Rognez le long de la lisière externe de la couture; en prenant soin de ne pas couper la couture
- (3) Utilisez un scellant ou de la colle à tissu pour stabiliser la couture des lisières festonnées.





# Couture à l'Aiguille Jumelée

## Utilisation des Aiguilles Jumelées

Avec l'aiguille jumelée, vous pouvez coudre des lignes parallèles du même point avec deux fils de couleur différentes. Les deux fils supérieurs doivent avoir la même épaisseur et la même qualité. Utilisez le porte-bobine vertical et le feutre du porte-bobine. (Reportez-vous à la page 7)



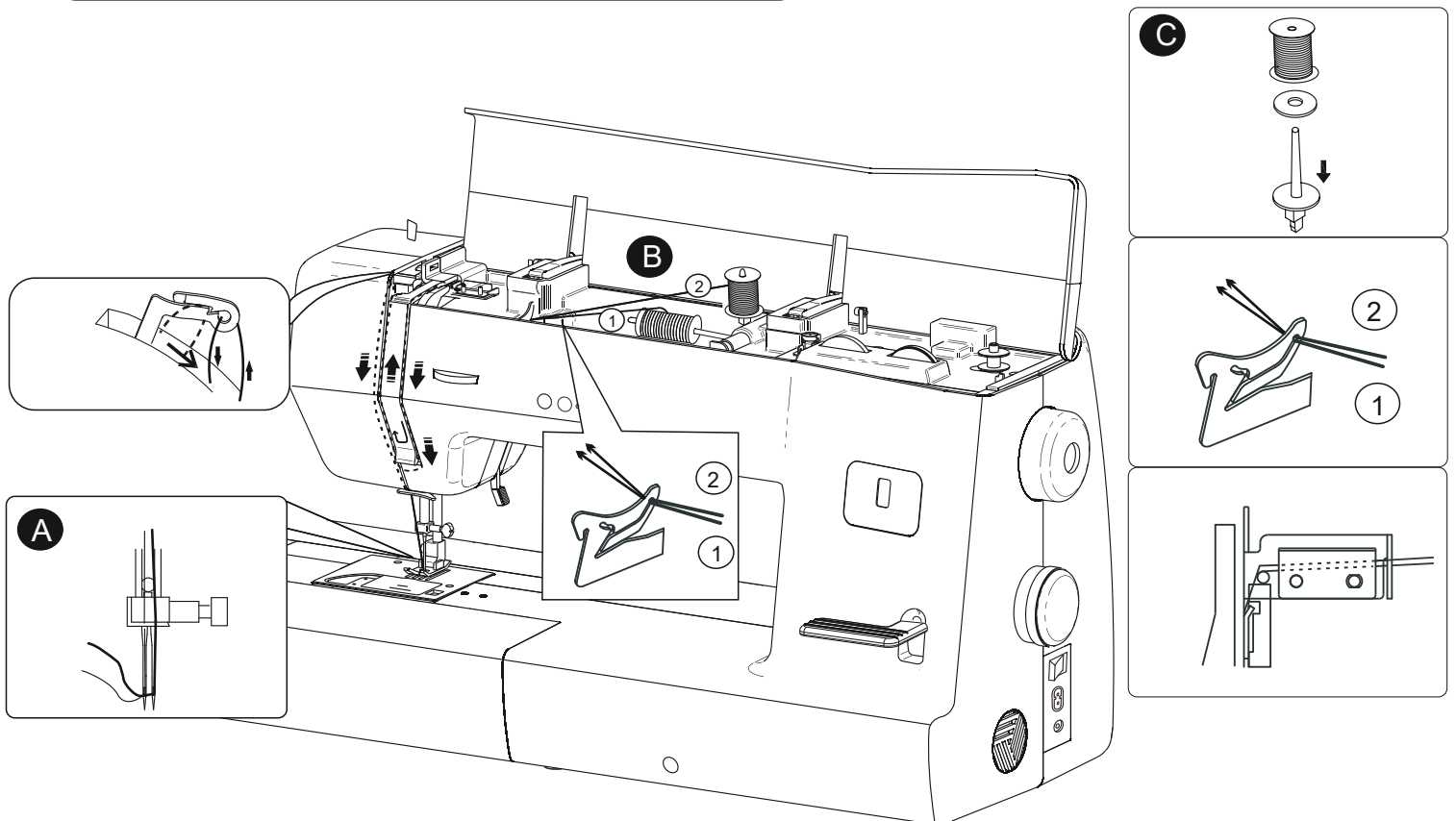
N'utilisez jamais des aiguilles tordues. Les aiguilles courbées peuvent facilement se briser, entraînant d'éventuelle blessures.

## Intallation de l'Aiguille Jumelée et Enfilage

1. Retirez l'aiguille simple et insérez l'aiguille jumelée (A). Consultez la page 9)
2. Guidez le fil de bobine du porte-bobine horizontal (1) en utilisant la procédure d'enfilage normale (B). (Consultez la page 9)
3. Enfilez le chas de l'aiguille gauche à la main de l'avant vers l'arrière (A).
4. Insérez le porte-bobine vertical avec le feutre du porte-bobine et insérez la bobine dans l'ouverture du trou située derrière le porte-bobine horizontal (C).
5. Guidez le fil de bobine du porte-bobine vertical (2) et enfilez la machine comme à l'étape 2 ci-dessous.
6. Pour de meilleurs résultats de couture, ne faites pas passer le deuxième fil par le guide-fil de la barre à aiguille, enfilez le chas droit de l'aiguille à la main de l'avant vers l'arrière (A).
7. Reportez-vous aux procédures d'aiguille jumelée décrites dans les illustrations.



L'enfile-aiguille ne peut pas être utilisé avec une aiguille jumelée, cela pourrait endommager la machine.


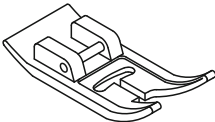


## Semelle tout usage

Pour plus de détails sur le changement du pied-de-biche, reportez-vous à la page 9.  
 Pour des raisons de sécurité, la largeur de point doit être ajustée à 3.5 mm **seulement** et l'aiguille doit être vérifiée pour dégager le pied-de-biche et la plaque à aiguille avant de coudre en tournant le volant manuellement.



Lorsque vous utilisez une aiguille jumelée, assurez-vous de fixer le Pied Tout Usage et vérifiez toujours que les aiguilles ne touchent pas la plaque et le pied-de-biche, sinon l'aiguille risque de casser ou d'endommager la machine.

Nom du Point	Motif	Molette de la Longueur du Point ( mm (pouce) )	Molette de la Largeur du Point ( mm (pouce) )	Type d'Aiguille	Semelle Tout Usage
Point Droit (SEULEMENT)	1 .....	1-4 (1/16-3/16)	3.5 (Position de l'aiguille au centre SEULEMENT)	 2.0/90 3.0/90 4.0/90 5.0/90	

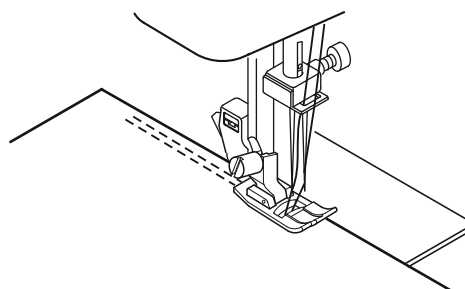


Lorsque vous utilisez l'aiguille jumelée, assurez-vous de sélectionner POINT DROIT SEULEMENT et la Molette de Largeur du Point doit être réglée à 3.5 (position de l'aiguille au centre), sinon l'aiguille pourrait se casser ou la machine pourrait être endommagée.

## Commencer à coudre

Deux lignes de couture sont cousues parallèlement les unes aux autres

(Consultez la page 16 pour plus de détails sur la manière de Commencer à Coudre)



Lorsque vous changez de sens de la couture, soulevez les aiguilles du tissu en tournant le volant, puis soulevez le levier du pied-de-biche et tournez le tissu. N'essayez pas de tourner le tissu alors que l'aiguille jumelée est encore dans le tissu, sinon l'aiguille pourrait se casser ou la machine pourrait être endommagée.

## ENTRETIEN DE VOTRE MACHINE

Pour assurer le meilleur fonctionnement possible de votre machine, il est nécessaire de garder les pièces fondamentales propres à tout moment. Toujours débrancher la machine de l'alimentation murale électrique en retirant la fiche de la prise.



### AVERTISSEMENT

- Veillez à éteindre l'interrupteur principal et à débrancher la fiche de la prise électrique murale avant de commencer le nettoyage.

### NETTOYAGE DE LA ZONE DES GRIFFES ET DU CROCHET

- 1 Relevez l'aiguille à la position la plus haute.
- 2 Retirez le couvercle de la canette et la canette (1).
- 3 Retirez la plaque aiguille (1).
- 4 Reinsérez le boîtier de la canette (2).
- 5 Nettoyez la zone des griffes et du crochet avec la brosse.



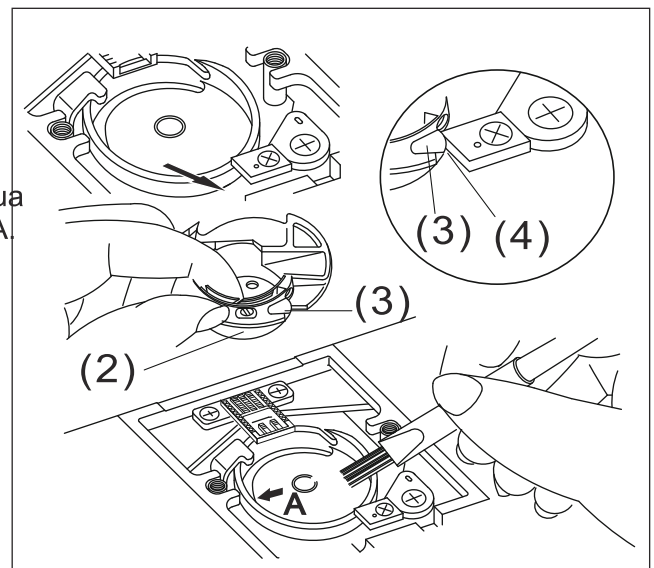
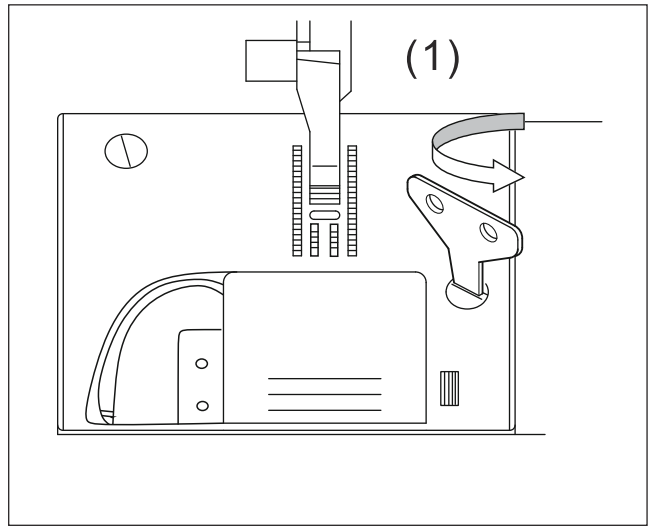
### Note

- Mettre une goutte d'huile pour machine à coudre de bonne qualité sur la coursière du crochet comme indiqué par la flèche A.
- 6 Remplacez la canette tel qu'indiqué à l'image (3), positionnée contre le ressort (4). Remplacez la plaque aiguille.



### AVERTISSEMENT

- Ne jamais utiliser un boîtier de canette rayé; sinon le fil supérieur peut devenir emmêlé, l'aiguille peut casser ou les performances de couture diminuer.
- Assurez-vous d'insérer le boîtier de canette correctement, sinon l'aiguille risque de casser et aurait pour effet d'endommager la machine ou causer des blessures.



### Message Important pour l'entretien de la Machine

Baby Lock recommande d'apporter votre machine chez un détaillant Baby Lock Autorisé pour l'entretien régulier. Ces mesures aideront à donner l'assurance dans le futur d'heures ininterrompues de bon fonctionnement de la machine.

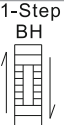

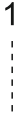

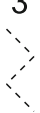
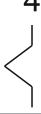

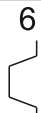
## DÉPANNAGE

Si la machine ne fonctionne pas correctement, vérifiez les problèmes possibles ici-bas mentionnés.  
Si le problème est toujours là, contactez votre Revendeur Autorisé Baby Lock.


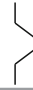





PROBLÈME	CAUSE	CORRECTION	PAGE
Bris du fil supérieur	<ul style="list-style-type: none"> <li>● Machine n'est pas enfilée correctement.</li> <li>● Fil entrelacé autour de la canette.</li> <li>● Aiguille insérée incorrectement.</li> <li>● Tension du fil trop serré.</li> <li>● Fil de grosseur inadéquate ou de mauvaise qualité.</li> </ul>	Enfilez la machine de nouveau. Retirer le fil entrelacé. Réinsérer l'aiguille. Réglez la tension du fil. Choisissez un fil adéquat.	9
			8
			6
			14
			15
Bris du fil inférieur	<ul style="list-style-type: none"> <li>● Canette bobinée incorrectement.</li> <li>● Bobinage de façon inégale ou trop plein.</li> <li>● Saleté dans la zone de la canette et du crochet.</li> </ul>	Rembobinez la canette. Rembobinez la canette. Nettoyer la zone de la canette et du crochet.	8
			7
			27
Saut de points	<ul style="list-style-type: none"> <li>● Aiguille insérée incorrectement.</li> <li>● Aiguille tordue ou émoussée.</li> <li>● Taille incorrecte de l'aiguille pour le tissu extensible.</li> </ul>	Réinsérer l'aiguille. Insérez une nouvelle aiguille. Choisissez la taille correcte de l'aiguille pour le tissu. Utilisez une aiguille pour tissu extensible.	6
			6
			15
			15
Le tissu plisse	<ul style="list-style-type: none"> <li>● Machine n'est pas enfilée correctement.</li> <li>● Canette bobinée incorrectement.</li> <li>● Aiguille émoussée.</li> <li>● Tension du fil trop serré.</li> </ul>	Enfilez la machine de nouveau. Rembobinez la canette. Insérez une nouvelle aiguille . Ajustez la tension du fil.	9
			7
			6
			14
La machine fait des points lâches ou des boucles	<ul style="list-style-type: none"> <li>● Canette bobinée incorrectement.</li> <li>● Enfilage de la machine incorrect.</li> <li>● Tension mal ajustée.</li> </ul>	Rembobinez la canette. Enfilez de nouveau la machine. Ajustez la tension du fil.	7
			9
			14
L'enfile aiguille ne s'aligne pas au chas de l'aiguille	<ul style="list-style-type: none"> <li>● L'aiguille n'est pas à la position la plus haute.</li> <li>● Aiguille insérée incorrectement.</li> <li>● Aiguille tordue.</li> <li>● Le chas est trop petit.</li> <li>● Le crochet de l'enfileur est tordu.</li> </ul>	Relevez l'aiguille.  Réinsérez l'aiguille. Insérez une nouvelle aiguille. Insérez une aiguille de taille 11 ou plus. Appelez le Revendeur Autorisé Baby Lock	9
			6
			6
			10
			10
La machine n'entraîne pas correctement	<ul style="list-style-type: none"> <li>● Les griffes sont abaissées.</li> <li>● Peluches et poussière accumulées autour de la griffe.</li> </ul>	Remontez les griffes. Nettoyez la zone des griffes.	12
			27
Bris de l'aiguille	<ul style="list-style-type: none"> <li>● Tissu tiré pendant la couture.</li> <li>● Aiguille frappe la semelle.</li> <li>● Aiguille insérée incorrectement.</li> <li>● Aiguille de taille incorrecte ou fil de mauvaise grosseur pour le tissu cousu.</li> <li>● L'aiguille est tordue.</li> </ul>	Ne tirez pas sur le tissu. Choisir le bon pied, le bon motif et la bonne position de l'aiguille. Réinsérez l'aiguille . Choisissez la bonne taille d'aiguille et le bon fil. Insérez une nouvelle aiguille.	16
			16
			6
			15
La machine fonctionne difficilement	<ul style="list-style-type: none"> <li>● Saleté et peluches accumulées dans la coursière du crochet et des griffes.</li> </ul>	Retirez la plaque aiguille et le boîtier de canette, puis nettoyez la coursière du crochet et les griffes.	27
			27
La machine ne fonctionne pas	<ul style="list-style-type: none"> <li>● Le cordon d'alimentation n'est pas branché à une prise électrique.</li> <li>● L'Interrupteur principal n'est pas activé.</li> <li>● La tige du bobineur de canette est poussé vers la droite.</li> <li>● Le pied presseur n'est pas abaissé.</li> <li>● Mode de Couture de la Boutonnière:               <ul style="list-style-type: none"> <li>– Le levier de la boutonnière n'est pas abaissé complètement.</li> <li>– Le pied boutonnière n'est pas fixé.</li> </ul> </li> </ul>	Insérez la fiche complètement dans la prise. Activer le commutateur de l'interrupteur principal. Pousser la tige vers la gauche. Abaissez le pied presseur. – Abaissez le levier de la boutonnière. – Installez le pied boutonnière.	5
			5
			7
			6
			22
			22

## Tableau de Référence de Point

\* La molette de largeur de point a plusieurs fonctions selon la sélection de point.  
Reportez-vous à la page 11 pour plus de détails.







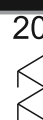
Nom du Point	Motif	Application	Molette de la Longueur du Point ( mm (pouce ))	Molette de la Largeur du Point ( mm (pouce ))
Boutonnière		Création de boutonnière	0-1  (0-1/16)	3.5-7* (1/8-1/4)
Nom du Point	Motif	Application	Molette de la Longueur du Point ( mm (pouce ))	Molette de la Largeur du Point ( mm (pouce ))
Point Droit	1 	Couture générale, fixation des fermetures à glissière et création de fronces ou de nervures, etc.	0-4 (0-3/16)	0-7* (0-1/4)
Nom du point	Motif	Application	Molette de la Longueur du Point ( mm (pouce ))	Molette de la Largeur du Point ( mm (pouce ))
Point Zigzag	2 	Courtepointe, surjet et fixation d'appliqué, etc.	0-4 (0-3/16)	0-7* (0-1/4)
Nom du Point	Motif	Application	Molette de la Longueur du Point ( mm (pouce ))	Molette de la Largeur du Point ( mm (pouce ))
Point Zigzag Élastique	3 	Surjet sur tissu de poids moyen ou extensible, insertion d'élastique or raccommodage, etc.	0-2 (0-1/16)	5-7* (3/16-1/4)
Nom du Point	Motif	Application	Molette de la Longueur du Point ( mm (pouce ))	Molette de la Largeur du Point ( mm (pouce ))
Point Ourlet caché	4 	Couture au point d'ourlet caché sur tissu moyen, etc.	1-4 (1/16-3/16)	5-7* (3/16-1/4)
Nom du Point	Motif	Application	Molette de la Longueur du Point ( mm (pouce ))	Molette de la Largeur du Point ( mm (pouce ))
Point Caché pour Tissu Extensible	5 	Couture au point d'ourlet caché sur tissu extensible	1-4 (1/16-3/16)	5-7* (3/16-1/4)
Nom du Point	Motif	Application	Molette de la Longueur du Point ( mm (pouce ))	Molette de la Largeur du Point ( mm (pouce ))
Double Action	6 	Insertion d'élastique aux tissus extensible	0-4 (0-3/16)	0-7* (0-1/4)

# Tableau de Référence de Point

Nom du Point	Motif	Application	Molette de la Longueur du Point ( mm (pouce) )	Molette de la Largeur du Point ( mm (pouce) )
Pont	7 	Couture patchwork et décorative	1-4 (1/16-3/16)	1-7* (1/16-1/4)
Nom du Point	Motif	Application	Molette de la Longueur du Point ( mm (pouce) )	Molette de la Largeur du Point ( mm (pouce) )
Point de Surjet	8 	Surjet sur tissus fins ou moyens	0-2 (0-1/16)	5-7* (3/16-1/4)
Nom du Point	Motif	Application	Molette de la Longueur du Point ( mm (pouce) )	Molette de la Largeur du Point ( mm (pouce) )
Point Bourdon Décoratif	9 	Couture Décorative au point de bourdon	0-4 (0-3/16)	3.5-7* (1/8-1/4)
Nom du Point	Motif	Application	Molette de la Longueur du Point ( mm (pouce) )	Molette de la Largeur du Point ( mm (pouce) )
Point Bourdon Décoratif	10 	Couture Décorative au point feston bourdon	0-4 (0-3/16)	3.5-7* (1/8-1/4)
Nom du Point	Motif	Application	Molette de la Longueur du Point ( mm (pouce) )	Molette de la Largeur du Point ( mm (pouce) )
Point Bourdon Décoratif	11 	Couture Décorative au point de bourdon	0-4 (0-3/16)	3.5-7* (1/8-1/4)
Nom du Point	Motif	Application	Molette de la Longueur du Point ( mm (pouce) )	Molette de la Largeur du Point ( mm (pouce) )
Point Décoratif	12 	Couture Décorative	<b>SS Gold 4</b>	<b>SS Gold 7</b> 3.5-7* (1/8-1/4)
Nom du Point	Motif	Application	Molette de la Longueur du Point ( mm (pouce) )	Molette de la Largeur du Point ( mm (pouce) )
Point Décoratif	13 	Couture Décorative	<b>SS Gold 4</b>	<b>SS Gold 7</b> 3.5-7* (1/8-1/4)






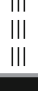



# Tableau de Référence de Point

Nom du Point	Motif	Application	Molette de la Longueur du Point ( mm (pouce ))	Molette de la Largeur du Point ( mm (pouce ))
Surjet	14 	Surjet sur tissu de poids fin ou moyen Sujet sur tissu de poids lourd	<b>SS Gold 4</b>	<b>SS Gold 7</b> 5-7* (3/16-1/4)
Nom du Point	Motif	Application	Molette de la Longueur du Point ( mm (pouce ))	Molette de la Largeur du Point ( mm (pouce ))
Surfilage Décoratif	15 	Couture décorative pour Appliqué	<b>SS Gold 4</b>	<b>SS Gold 7</b> 5-7* (3/16-1/4)
Nom du Point	Motif	Application	Molette de la Longueur du Point ( mm (pouce ))	Molette de la Largeur du Point ( mm (pouce ))
Point Décoratif Appliqué	16 	Couture décorative pour Appliqué	<b>SS Gold 4</b>	<b>SS Gold 7</b> 3.5-7* (1/8-1/4)
Nom du Point	Motif	Application	Molette de la Longueur du Point ( mm (pouce ))	Molette de la Largeur du Point ( mm (pouce ))
Point Plume	17 	Couture décorative pour Patchwork	<b>SS Gold 4</b>	<b>SS Gold 7</b> 3.5-7* (1/8-1/4)
Nom du Point	Motif	Application	Molette de la Longueur du Point ( mm (pouce ))	Molette de la Largeur du Point ( mm (pouce ))
Point Décoratif	18 	Couture décorative	<b>SS Gold 4</b>	<b>SS Gold 7</b> 3.5-7* (1/8-1/4)
Nom du Point	Motif	Application	Molette de la Longueur du Point ( mm (pouce ))	Molette de la Largeur du Point ( mm (pouce ))
Point de Surjet Double	19 	Ourlet décoratif sur tissu fin, moyen et à tissage régulier, piquage à l'ancienne, etc.	<b>SS Gold 4</b>	<b>SS Gold 7</b> 5-7* (3/16-1/4)
Nom du Point	Motif	Application	Molette de la Longueur du Point ( mm (pouce ))	Molette de la Largeur du Point ( mm (pouce ))
Point Décoratif	20 	Couture décorative	<b>SS Gold 4</b>	<b>SS Gold 7</b> 3.5-7* (1/8-1/4)



# Tableau de Référence de Point

Nom du Point	Motif	Application	Molette de la Longueur du Point ( mm (pouce ))	Molette de la Largeur du Point ( mm (pouce ))
Point Décoratif	21 	Couture décorative	<b>SS Gold 4</b>	<b>SS Gold 7</b> 3.5-7* (1/8-1/4)
Nom du Point	Motif	Application	Molette de la Longueur du Point ( mm (pouce ))	Molette de la Largeur du Point ( mm (pouce ))
Point Décoratif	22 	Couture décorative	<b>SS Gold 4</b>	<b>SS Gold 7</b> 3.5-7* (1/8-1/4)
Nom du Point	Motif	Application	Molette de la Longueur du Point ( mm (pouce ))	Molette de la Largeur du Point ( mm (pouce ))
Point de Croix Décoratif	23 	Couture décorative au point de croix	<b>SS Gold 4</b>	<b>SS Gold 7</b> 3.5-7* (1/8-1/4)
Nom du Point	Motif	Application	Molette de la Longueur du Point ( mm (pouce ))	Molette de la Largeur du Point ( mm (pouce ))
Point de Fagot	24 	Couture décorative	<b>SS Gold 4</b>	<b>SS Gold 7</b> 3.5-7* (1/8-1/4)
Nom du Point	Motif	Application	Molette de la Longueur du Point ( mm (pouce ))	Molette de la Largeur du Point ( mm (pouce ))
Rick rack	25 	Couture décorative au point élastique	<b>SS Gold 4</b>	<b>SS Gold 7</b> 3.5-7* (1/8-1/4)
Nom du Point	Motif	Application	Molette de la Longueur du Point ( mm (pouce ))	Molette de la Largeur du Point ( mm (pouce ))
Couture Triple	26 	Fixation des manches, coudre dans les coutures, couture des tissus extensibles et coutures décoratives	<b>SS Gold 4</b>	<b>SS Gold 7</b> 3.5-7* (1/8-1/4)
Nom du Point	Motif	Application	Molette de la Longueur du Point ( mm (pouce ))	Molette de la Largeur du Point ( mm (pouce ))
Point Décoratif	27 	Couture décorative	<b>SS Gold 4</b>	<b>SS Gold 7</b> 3.5-7* (1/8-1/4)

