

*Euphoria*TM

Instruction and Reference Guide

Model BLC4



FOR THE LOVE OF SEWING

To register your machine warranty and receive Baby Lock product updates and offers, go to babylock.com/login. If you have questions with registration, visit your Authorized Baby Lock Retailer.

Baby Lock Consumer Helpline: 800-313-4110

www.BabyLock.com

Brought to You by Tacony Corporation®.

"IMPORTANT SAFETY INSTRUCTIONS"

When using overlock machine, basic safety precautions should always be followed, including the following.

"Read all instructions before using this overlock machine."

DANGER- To reduce the risk of electric shock.

1. The overlock machine should never be left unattended when plugged in. Always unplug this overlock machine from the electrical outlet immediately after using and before cleaning.

WARNING- To reduce the risk of burns, fire, electric shock, or injury to persons.

1. Use this overlock machine only for its intended use as described in this manual. Use only attachments recommended by the manufacturer as contained in this manual.
2. Never operate this overlock machine if it has a damaged cord or plug, if it is not working properly, if it has been dropped or damaged, or dropped into water. Return the overlock machine to the nearest authorized dealer or service center for examination, repair, electrical or mechanical adjustment.
3. Never operate the overlock machine with any air openings blocked. Keep ventilation openings of the overlock machine and foot controller free from the accumulation of lint, dust, and loose cloth.
4. Never drop or insert any object into any opening.
5. Do not use outdoors.
6. Do not operate where aerosol (spray) products are being used or where oxygen is being administered.
7. To disconnect, turn the main switch to the symbol "O" position which represents off, then remove plug from outlet.
8. Do not unplug by pulling on cord. To unplug, grasp the plug, not the cord.
9. Keep fingers away from all moving parts. Special care is required around the overlock machine needle.
10. Always use the proper needle plate. The wrong needle plate can cause the needle to break.
11. Do not use bent needles.
12. Do not pull or push fabric while stitching. It may deflect the needle(s) causing it to break.
13. Switch the overlock machine to the symbol "O" position when making any adjustments in the needle area, such as threading needle, changing needle, threading looper, or changing presser foot, and the like.
14. Always unplug the overlock machine from the electrical outlet when removing covers, lubricating, or when making any of the user servicing adjustments mentioned in the instruction manual.
15. Keep fingers away from moving parts, especially the area near the blades.
16. Please note that on disposal, this product must be safely recycled in accordance with relevant National legislation relating to electrical / electronic products. If in doubt please contact your retailer for guidance.
17. This appliance can be used by children aged from 8 years and above and persons with reduced physical, sensory or mental capabilities or lack of experience and knowledge if they have been given supervision or instruction concerning use of the appliance in a safe way and understand the hazards involved.
18. Children shall not play with the appliance.
19. Cleaning and user maintenance shall not be made by children without supervision.
20. - Moving Parts- To reduce risk of injury, switch off before servicing.
CLOSE COVER BEFORE OPERATING MACHINE
21. Do not allow the power cable and controller cable to be scarred, damaged, modified, excessively bent, pulled, twisted, or bundled. If heavy objects are placed on the power cable or it is subjected to heat, it may be damaged, possibly causing fire or electrical shock.



"SAVE THESE INSTRUCTIONS"

"This overlock machine is intended for household use."

INFORMATIONS IMPORTANTES DE SÉCURITÉ

Quand vous utilisez la machine à coudre, les précautions de base doivent toujours être suivies, incluant ce qui suit.

“Lire toutes les instructions avant usage.”

DANGER- Pour réduire tout risque de choc.

1. La machine ne doit jamais être utilisée sans surveillance lorsque branchée. Toujours débrancher la machine à coudre de la prise de courant dès la fin de l'utilisation ou avant nettoyage.

AVERTISSEMENT- Pour réduire les risques de brûlures, feu, choc électrique ou blessure aux personnes

1. Ne pas permettre d'être utilisé comme un jouet. Une surveillance continue est nécessaire quand la machine est utilisée par ou près des enfants.
2. Utilisez seulement la machine tel que décrit dans ce manuel. Utilisez seulement les accessoires recommandés par le fabricant.
3. Ne jamais utiliser la machine si le cordon ou la prise électrique sont endommagés, en cas de dysfonctionnement, de bris ou de dégâts d'eau, vous devez la retourner chez votre revendeur BABY LOCK ou au centre de service le plus proche pour vérification, réparation, ajustement mécanique ou électrique.
4. Ne jamais utiliser la machine si la circulation d'air est bloquée. Toujours garder les ouvertures de ventilation de la machine et du rhéostat libre de poussières, peluches ou tissus.
5. Ne jamais insérer ou laisser tomber tout objet dans toute ouverture.
6. Ne pas utiliser à l'extérieur.
7. Ne pas utiliser dans les endroits où des produits aérosols ou d'oxygène sont employés.
8. Pour déconnecter, mettre l'interrupteur principal au symbole “O” qui représente “OFF” puis enlever la prise de la prise de courant.
9. Ne pas déconnecter en tirant sur le cordon. Pour déconnecter, tirer sur la prise et non pas sur le cordon.
10. Gardez vos doigts au loin de toutes parties fonctionnelles. Des soins spéciaux sont demandés autour de l'aiguille.
11. Toujours utiliser la bonne plaque d'aiguille. La mauvaise plaque peut occasionner la cassure de l'aiguille.
12. Ne jamais utiliser des aiguilles crochues.
13. Ne pas tirer ou pousser le tissu pendant que vous cousez. Cela peut détourner l'aiguille et la briser.
14. Mettre la machine dans la position “O” quand vous faites des ajustements dans la région de l'aiguille, comme l'enfilage, le changement d'aiguille, le changement de pied, et ainsi de suite.
15. Toujours débrancher la machine à coudre quand vous enlevez les couvercles, faites la lubrification ou tout autre ajustement d'entretien selon le livre d'instructions.
16. Gardez vos doigts loin des parties amovibles, spécialement la région près des lames.
17. Veuillez noter, pour disposer de ce produit il doit être recyclé en conformité avec le registre de la législation Nationale applicable aux produits électriques et électroniques. Si dans le doute, contactez votre revendeur pour obtenir des conseils.
18. L'appareil n'est pas conçu pour être utilisé par de jeunes enfants ou des personnes à mobilité réduite sans surveillance.
19. Les jeunes enfants doivent être surveillés afin de s'assurer qu'ils ne jouent pas avec l'appareil.
20. Cet appareil n'est pas destiné à être utilisé par des personnes (notamment des enfants) dont les capacités physiques, sensorielles ou mentales sont réduites ou le manque d'expérience et de connaissances, à moins qu'elles n'aient été formées et encadrées pour l'utilisation de cet appareil par une personne responsable de leur sécurité.
21. Pièces en mouvement- Fermez le couvercle avant de faire fonctionner la machine.

“CONSERVEZ CES INSTRUCTIONS”
“Cette machine à coudre est conçue pour usage domestique.”



Welcome to the Baby Lock Euphoria

Your Baby Lock Euphoria delivers a variety of chain and cover stitches, allowing you to create professional looking hems and decorative effects just like the ready-to-wear fashions in stores.

Euphoria offers a variety of stitch widths and lengths and many exclusive features that allow you to efficiently accomplish a perfect stitch with a wide variety of threads and fabrics.

The "Electronic ExtraordinAir Threading System" makes threading the looper a breeze, with no confusing thread guides to navigate.

The Automatic Thread Delivery System delivers the perfect amount of thread for every stitch, eliminating confusing tension adjustments.

The convenient, built-in needle threader allows you to switch needle threads quickly and easily.

The extra wide sewing space easily accommodates larger projects.

The differential feed, needle thread auto-tension release with lifted presser foot, and chain looper manual tension adjustments put you in control of your project.

Your Baby Lock Euphoria is a high-quality, dependable machine that, with proper care and maintenance, promises years of dependable performance and sewing pleasure. Keep this instruction manual as a step-by-step guide to become familiar with your Baby Lock Euphoria.

For additional product information, visit our website at www.babylock.com. Happy Sewing!

Euphoria

Notes:

Table of Contents

OVERVIEW	5
How Your Machine Operates	5
Overview of the Euphoria	6
Accessories	7
Needles	8
Thread	8
Optional Accessories	8
Setting Up Your Euphoria	9/10
Side Cover	10
Snap-On Presser Foot	11
Knee Lifter	11
Drop Feed System	12
Thread Cutter	12
Presser Foot Pressure Adjustment	12
Stitch Length	12
Differential Feed	13
Thread Delivery System	13
Chain Looper Tension Dial	14
Needle Thread Fine-Tuning Dial	14
THREADING	15
Threading Preparation	15
Front Cover Seam Guide	15
Threading Your Euphoria	16
Thread Stand and Thread Port Reference Chart	16
Chain Looper	17
Chain/Cover Needles	18
Needle Threader	19
Left Needle - C-1	19
Center Needle - C-2	19
Right Needle - C-3	19
Re-threading Looper	20
Start to Sew	20
To Chain-Off of the Fabric	20

Table of Contents (Cont.)

CHAIN/COVER STITCH	21
Chain Stitching.....	21/22
Cover Stitch - Right Narrow - 3mm.....	23/24
Cover Stitch - Left Narrow - 3mm	25/26
Cover Stitch - Wide - 6mm.....	27/28
Triple Cover Stitch - 6mm	29/30
TECHNIQUES	31
Turning Corners - Chain Stitch	31
Turning Corners - Cover Stitch	31
Flat Hemming - Cover Stitch.....	32
Hemming in the Round - Cover Stitch	32
Securing Chain and Cover Stitching.....	33
SPECIALTY THREADS	34
Using Specialty Threads	34
Lightweight Threads	34
Medium Weight Threads.....	34
Heavyweight Threads.....	34
Looper Threading Tool.....	34
Thread Cradle for Looper	35
Bypassing the Threading Port	36
Chain Looper for Ribbon Thread	37
Specialty Thread Guide Chart	38
MAINTENANCE	39
Troubleshooting	39/40
Replacing Needles	41
Replacing LED Lighting	41
Cleaning	42
TECHNICAL DATA	43
Technical Data	43

How Your Machine Operates

Awareness of the Euphoria's simple operation will enable you to become more proficient in its use. Please read all instructions before using your new machine.

Use one, two or three chain/cover stitch needles and one looper for a chain or cover stitch.

When forming a chain stitch, the chain needle thread catches the chain looper thread to form a straight stitch on the top of your fabric and thread chain loops on the underside. Use 2 or 3 cover stitch needles and the chain looper to form a double or triple row of straight stitching on the top and a weave of thread on the underside of your fabric.

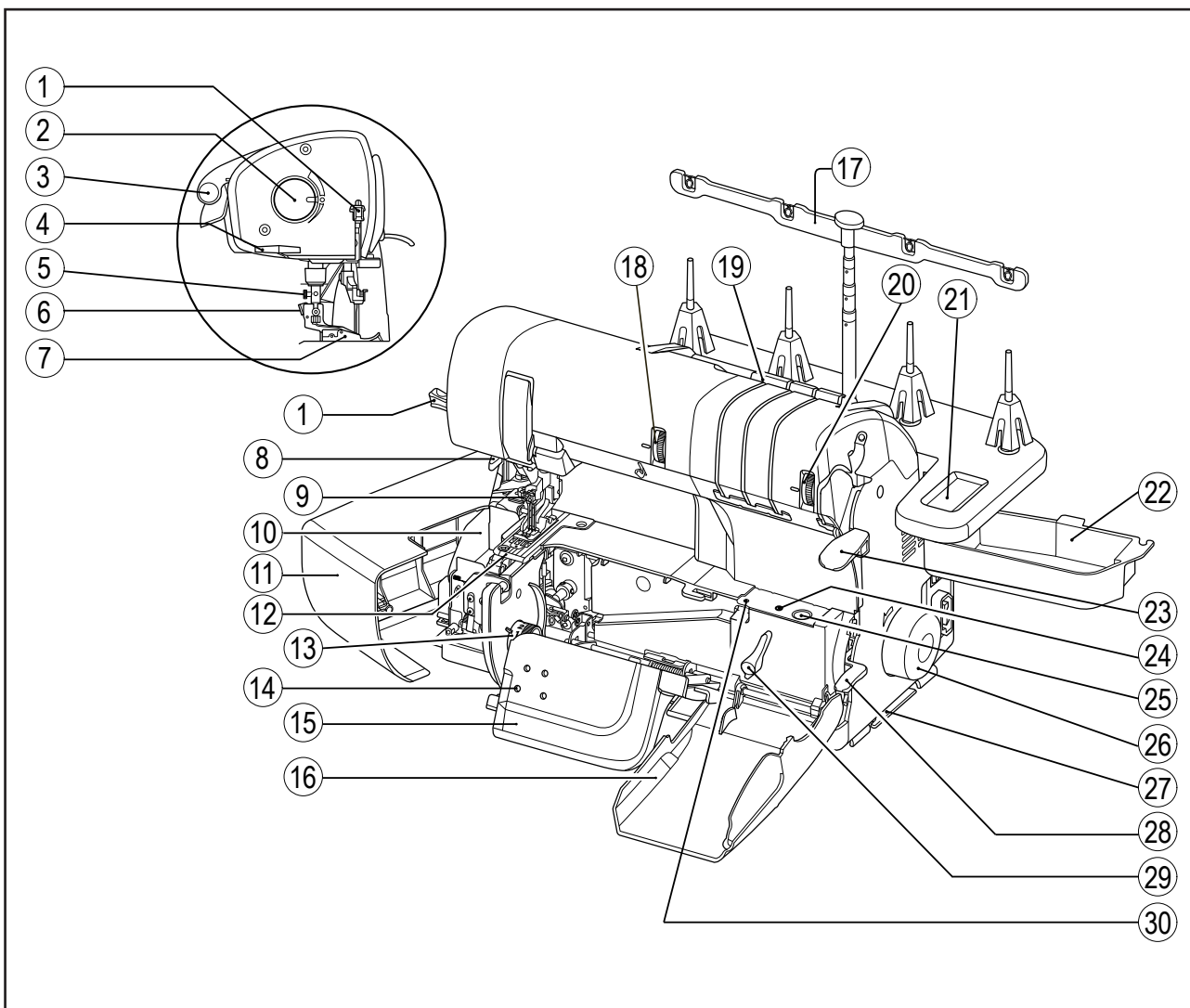
After setting up your machine for the first time, take a few moments to learn how it sews. Before your machine is threaded, turn the handwheel toward you and watch the operation of the various parts.



Overview of the Euphoria

- | | |
|---|--|
| 1. Needle threading lever | 16. Front cover |
| 2. Presser foot pressure adjusting dial | 17. Telescopic antennae and thread guides |
| 3. Carrying handle | 18. Needle threads fine-tuning dial |
| 4. Thread cutter | 19. Pretension thread guides |
| 5. Quilting guide fixing screw (see page 8) | 20. Chain/cover stitch looper tension dial |
| 6. Presser foot release lever | 21. Magnetic needle storage |
| 7. Snap-on presser foot | 22. Accessory compartment & thread stand |
| 8. Needle threader selector lever | 23. Presser foot lever* |
| 9. Needle clamp | 24. Chain looper threading port |
| 10. Chain looper thread tray | 25. Push to thread chain looper button |
| 11. Side cover | 26. Handwheel |
| 12. Needle plate | 27. Cord channel |
| 13. Stitch length dial | 28. Differential feed adjusting lever |
| 14. Attachment screw holes | 29. Looper threading lever |
| 15. Front table | 30. Port to bypass looper thread port |

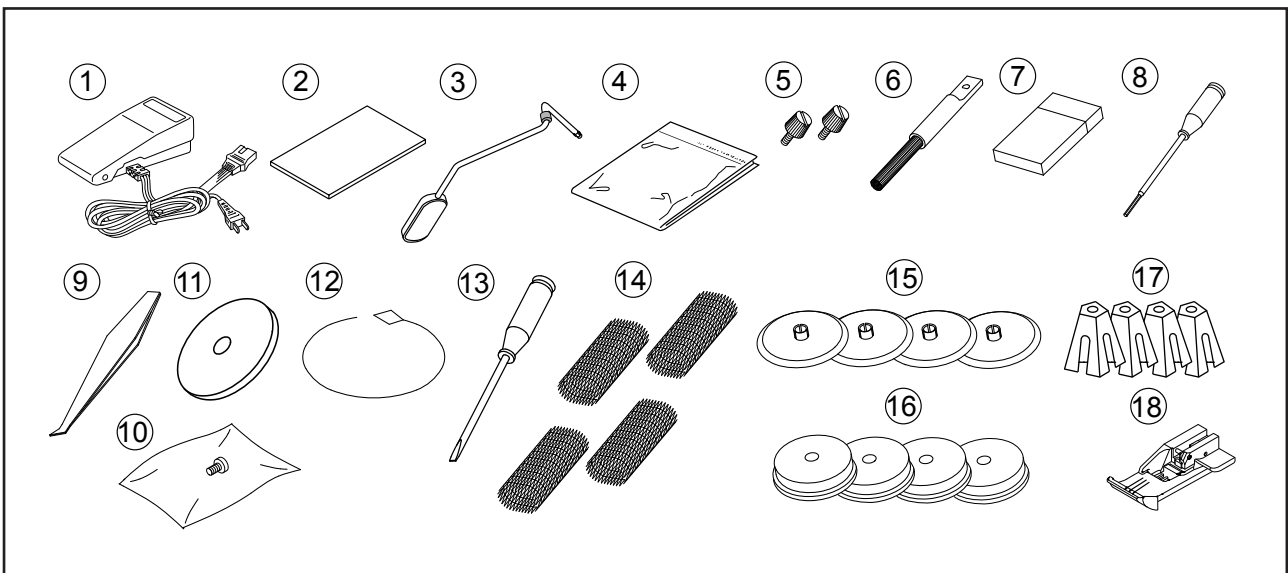
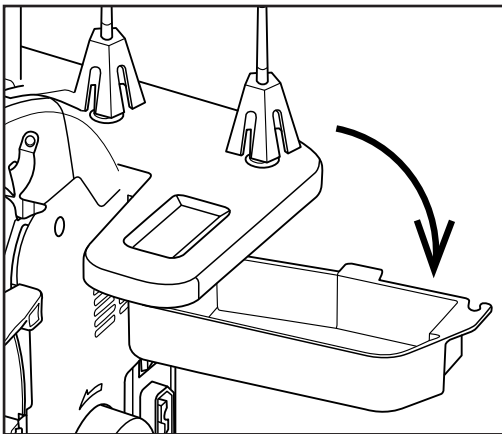
* Raising the presser foot releases needle threads and lowers feed dogs.



Accessories

Your Baby Lock Euphoria has a built-in accessory compartment. To open, swing the base of the thread spool stand to the right to reveal the tray holding some of the accessories listed below. Others may be found in the machine packing materials.

Accessory	Number included	Located in
1. Foot control / power cord	1	Packing box
2. Instruction manual	1	Packing box
3. Knee lifter	1	Packing box
4. Machine cover	1	Packing box
5. Guide fixing screws for table	2	Accessory compartment
6. Lint brush/needle insert tool	1	Accessory compartment
7. Package of assorted sized needles Organ ELx705CF	1	Accessory compartment
8. Allen screwdriver	1	Accessory compartment
9. Tweezers	1	Accessory compartment
10. Quilting guide fixing screw	1	Accessory compartment
11. Spool pin disk (large)	1	Accessory packet
12. Looper threading tool	1	Accessory packet
13. Screwdriver	1	Accessory packet
14. Thread nets	4	Accessory packet
15. Spool caps	4	Accessory packet
16. Sponge disks	4	Accessory packet
17. Cone holders	4	On machine
18. Standard presser foot	1	On machine



Needles

Your Baby Lock Euphoria is set up with Organ ELx705CF needles size 90/14. These are suitable for most medium and heavyweight fabrics. For lightweight fabrics, use size 80/12, ELx705CF needles. The ELx705CF needle has a semi-ballpoint design and is suitable for knits and wovens.

Thread

All types of thread may be used on your Baby Lock, but 100% long-staple polyester thread, crosswound on a cone, consistently provides the best stitch performance. Because the threads must pass through several thread guides at high speeds, they must be of uniform thickness and high strength with a minimum amount of linting.

Good-quality cotton or cotton-covered polyester threads sew well, though they produce more lint, creating the need to clean the machine more frequently. Poor grades of these threads can result in frequent fraying, breaking and unbalanced stitches.

Threads of other fiber contents and weights may be used, depending on their strength and thickness. Testing will help you determine how easily they can pass through the thread guides, thread slots, needles and looper. For more information see page 38.

Important Note: For maximum performance of the Baby Lock Euphoria, it is recommended to use 100% polyester-long fiber thread. This thread also performs best when used with various decorative threads for sewing specialty techniques.

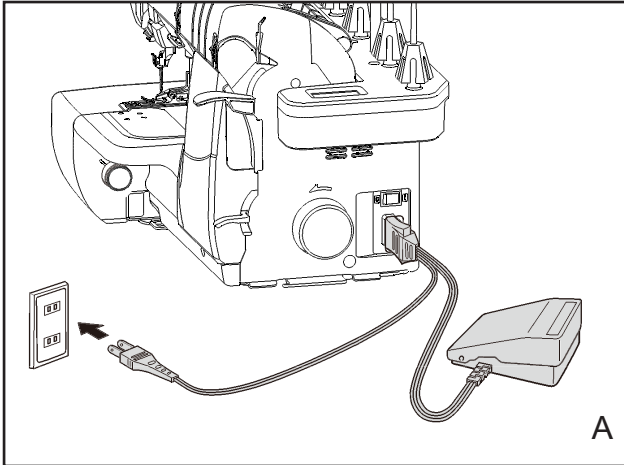
Optional Accessories

(CHAIN/COVER STITCH OPTIONAL ACCESSORIES)

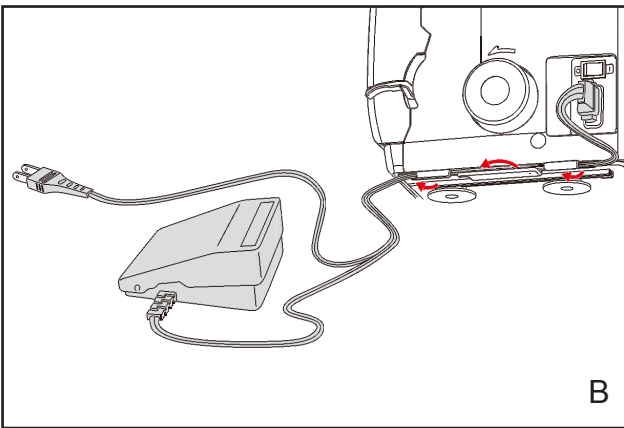
Belt Loop Binder (3/4", 19mm)	B0421S12A	(BLE8-S12)
Belt Loop Binder (1-1/2", 38mm)	B0421S11A	(BLE8-S11)
Single Fold Bias Binder (1-1/8", 28mm)	B0421S04A	(BLE8-S4)
Single Fold Bias Binder (1-5/8", 40mm)	B0421S05A	(BLE8-S5)
Double Fold Bias Binder (1-1/8", 28mm)	B0421S03A	(BLE8-S3)
Double Fold Bias Binder (1-3/8", 36mm)	B0421S02A	(BLE8-S2)
Fabric Guide	M0-70A09	(BLES8-FG)
Plain Hemmer (1/4", 7.5mm)	B0421S07A	(BLE8-S7)
Plain Hemmer (1/2", 13mm)	B0421S06A	(BLE8-S6)
Single Downturn Feller (1/4", 7.5mm)	B0421S10A	(BLE8-S10)
Single Downturn Feller (5/8", 16mm)	B0421S08A	(BLE8-S8)
Single Downturn Feller (1", 25mm)	B0421S09A	(BLE8-S9)
Knit/Woven Double Fold Bias Binder (8mm)	D13-4-08E	(BLCS-DFBB8)
Knit/Woven Double Fold Bias Binder (10mm)	D13-4-10E	(BLCS-DFBB10)
Knit/Woven Double Fold Bias Binder (15mm)	D13-4-15E	(BLCS-DFBB15)
Knit/Woven Single Fold Bias Binder (15mm)	D13-3-15E	(BLES8-SFB15)
Clear Foot	B5002S17A	(BLCS-CLF)
Pintuck Foot w/2 Guides	B5002-06B-C	(BLCS-PTF)
Quilt Guide		(BLES8-QG)

These optional accessories are available from your local Baby Lock retailer.

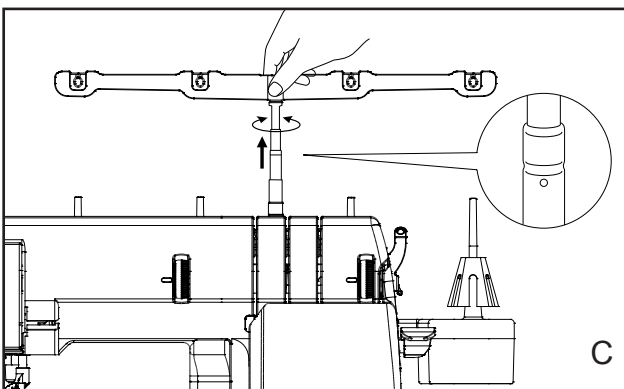
Setting Up Your Euphoria



A



B



C

1. Remove machine from box

After removing the packing materials from the box, gently lift your Baby Lock by grasping the handle provided on the top of the machine. Place the machine on a sewing table or any level surface that provides ample work area to the left. Place the foot controller in a pedal stay, if desired, and place it under the sewing table.

2. Plug in the machine

Plug the power cord into the machine first, then into a wall outlet. The power switch is located toward the back on the right side of the machine. Always make sure the power is off when the machine is not in use (fig. A). Available foot controller for U.S.A. and Canada: Model YC-482.

Place the foot control cord along the inside of the channel located on the bottom right side of the machine (fig. B).

3. Polarized plug

This appliance has a polarized plug (one blade wider than the other). To reduce the risk of electric shock, this plug is intended to fit in a polarized outlet only one way. If the plug does not fit fully in the outlet, reverse the plug. If it still does not fit, contact a qualified electrician to install the proper outlet. Do not modify the plug in any way.

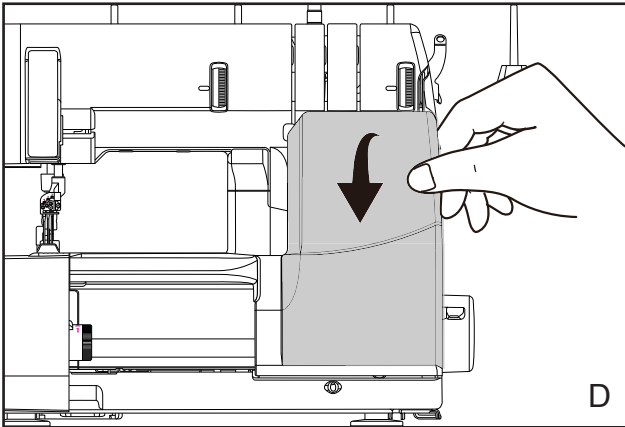
4. Foot controller

The sewing speed of the machine is determined by the amount of pressure applied to the foot controller. When not in use, do not place anything on the foot controller, or the machine could start inadvertently and the controller or motor could burn out.

5. Position the telescopic thread guide

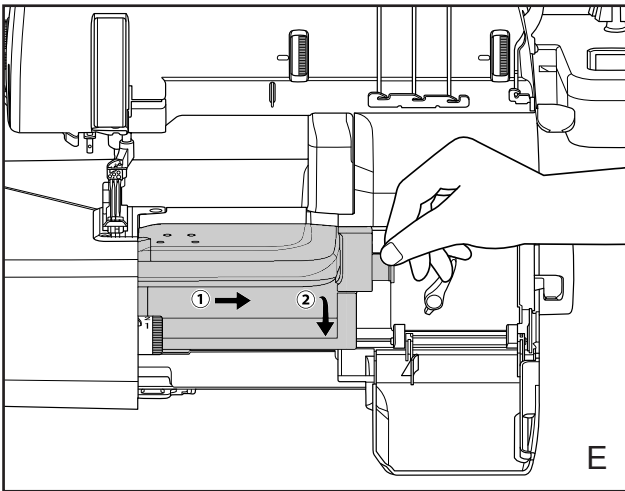
Raise the telescopic thread guide to its highest position. Rotate the shaft to the left and right until each section "clicks" into a locked position (fig. C).

Setting Up Your Euphoria (Cont.)



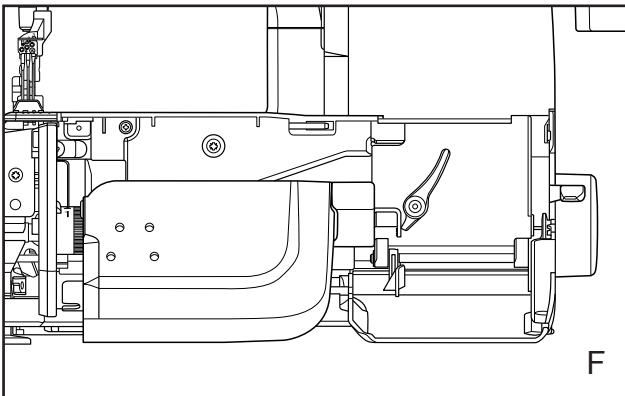
6. Open front cover

The front cover may be opened simply by placing your fingers behind the cover at the upper right side and gently pulling toward you (fig. D).



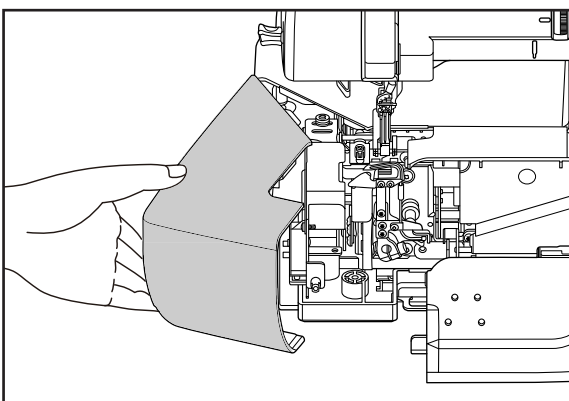
7. Open front table

To open the front table, place your thumb against the tab, and slide the cover to the right. A slight pull toward you will allow the cover to swing down, providing access to the chain looper (fig. E).



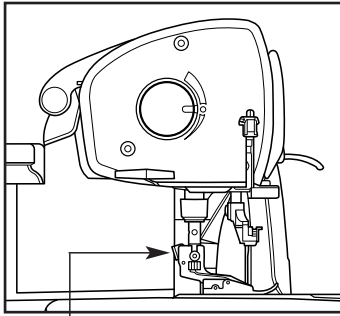
Front view of Euphoria, with front cover and front table in open position (fig. F)

Side Cover



Open side cover on the left for easy access to the chain looper thread tray.
Close side cover before sewing.

Snap-On Presser Foot



Presser Foot
Release Lever

The Baby Lock Euphoria has the convenience of a snap-on presser foot.

To Release:

1. Raise the presser foot lever to highest position. This will also lower the feed dogs out of the way.
2. Raise the needles to the highest position.
3. Push the presser foot release lever located at the back of the presser foot holder.
4. Slide the presser foot slightly toward you and carefully turn the back section of foot clockwise 90 degrees.
5. Slide the presser foot to the rear to remove.

To Replace:

1. Raise the presser foot lever. This will also lower the feed dogs out of the way.
2. Raise the needles to the highest position by rotating the handwheel toward you.
3. Slide the foot from the left to right.
4. Align the bar of the foot with the groove in the holder.
5. Lower the presser foot lever to snap the foot into place.
6. Turn the hand wheel counterclockwise to engage the feed dogs in the up position.

The raised markings on the toe of the foot are seam line guides. They indicate the needle positions to help guide your fabric for accurate seaming.

Knee Lifter

Your Baby Lock Euphoria comes equipped with a knee lifter.

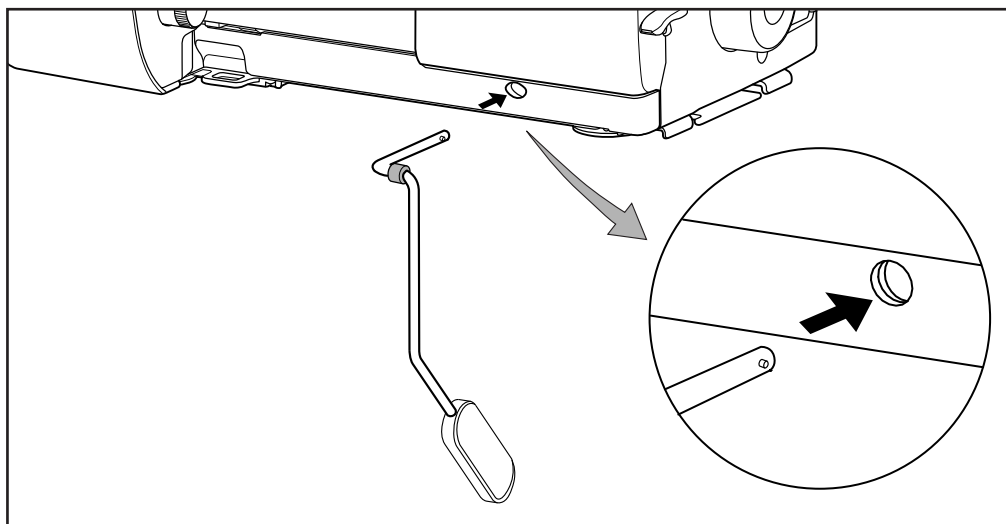
If you move the knee lifter to the right, the presser foot will rise and the feed dogs will lower.

When the knee lifter is returned to the left, the presser foot lowers and the feed dogs rise.

Using the knee lifter, the presser foot can easily be raised and lowered, leaving both hands free to manipulate the fabric.

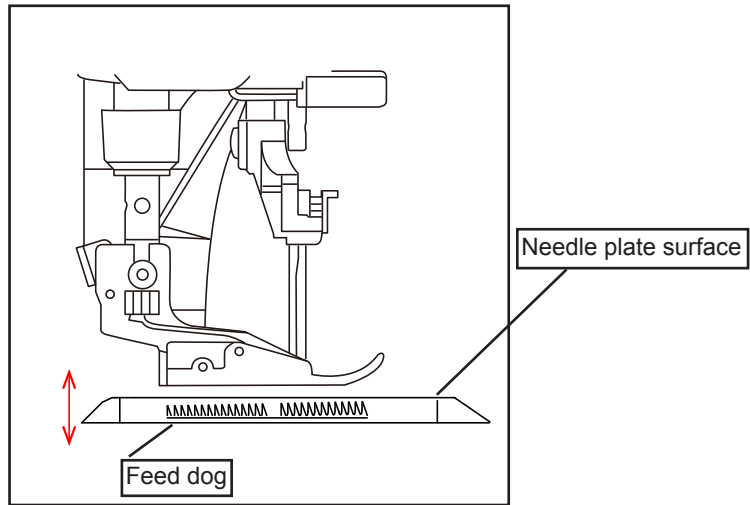
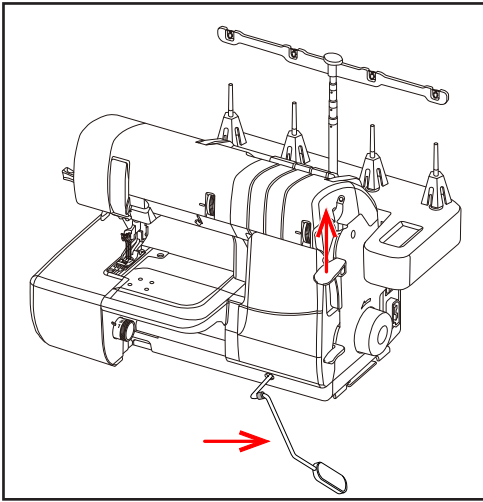
Align the tabs on the knee lifter with the notches in the jack, and then insert the knee lifter by pushing it toward the machine until it clicks into place. The black "Knee lifter front cover protector" should be positioned as shown in the below illustration.

To remove the knee lifter, place left hand on the machine's front cover to secure and with right hand, pull knee lifter straight out.

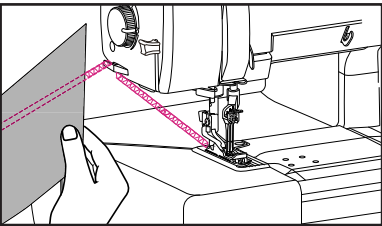


Drop Feed System

When you raise the presser foot, using the lever or knee lifter, the feed dogs lower automatically, which helps thick fabrics fit under the presser foot.



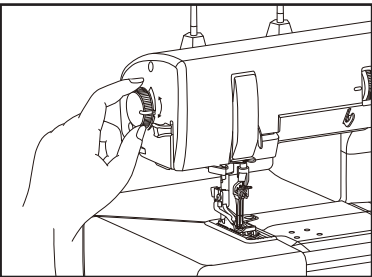
Thread Cutter



There is a thread cutter located on the left side of your machine. At the end of a seam, sew off the fabric edge and continue sewing to create a 5 to 6-inch (12-15cm) thread chain.

Bring the chain of thread up and back and pull forward into the thread cutter.

Presser Foot Pressure Adjustment

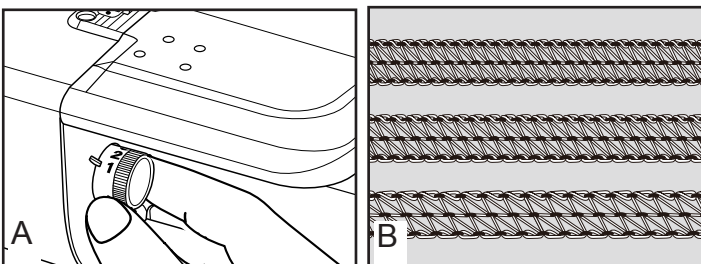


The presser foot pressure has been preset at the factory and rarely needs adjustment. You may find it necessary, however, to decrease the pressure for thick fabrics or increase pressure for thin fabrics to feed more smoothly under the foot. Turn the dial on the left side of the machine.

To increase pressure, turn the pressure adjusting screw clockwise.

To decrease pressure, turn the screw counterclockwise.

Stitch Length



The stitch length adjusting dial is conveniently located just to the left of the front cover, near the base plate (fig. A). The dial shows the stitch-length ranging from 1, for the shortest stitch, to 4, for the longest. Simply turn the dial, aligning the desired setting with the indicator mark on the machine. A stitch length of 3mm, or

about 10 stitches per inch is ideal for most fabrics. For seaming very lightweight fabrics, you may prefer a shorter stitch length. When sewing heavier fabrics, you may choose to lengthen the stitch (fig. B).

Differential Feed

Your Baby Lock Euphoria is equipped with differential feed, which allows the set of feed dogs to work independently in order to ensure smooth sewing on all fabrics (fig. A).

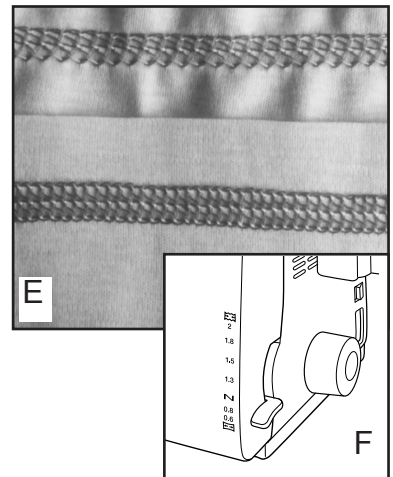
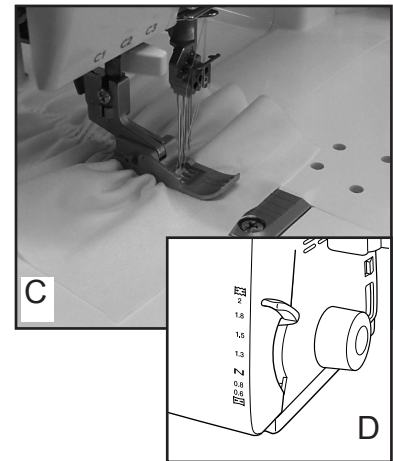
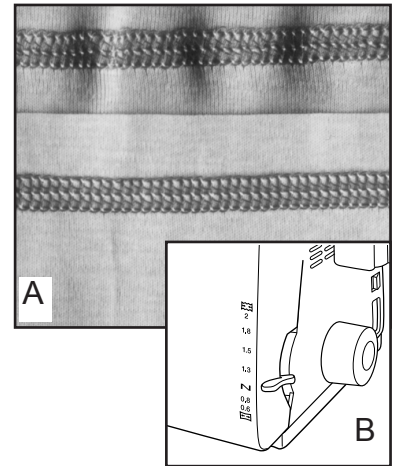
When the differential feed adjusting lever, located at the machine's right, front edge is set on "N" for normal feeding, the feed dogs move the same distance. This is the setting to use for most fabrics and applications (fig. B).

When the dial is set above "N", the front feed dog will feed more fabric than the back feed dog. This is because the front feed dog moves a greater distance than the back feed dog. As a result, the fabric becomes compressed or eased, as the diagram on the front cover indicates. This can eliminate wavy seams in stretchy fabrics or those cut on the bias grain.

At the maximum setting of 2.0 (fig. D), the differential feed can gather a lightweight fabric to nearly double fullness (fig. C).

The front feed dog is actually feeding in twice as much fabric as the back feed dog is feeding out. To maximize the gathering effect, use the longest stitch length setting. Fabric weight will affect the gathering. Test stitch for desired results.

When the differential feed lever is set below "N" (fig. F), the front feed dog moves less distance than the back feed dog. This adjustment stretches the fabric slightly as it is sewn. The lower settings prevent puckers on lightweight fabric (fig. E).



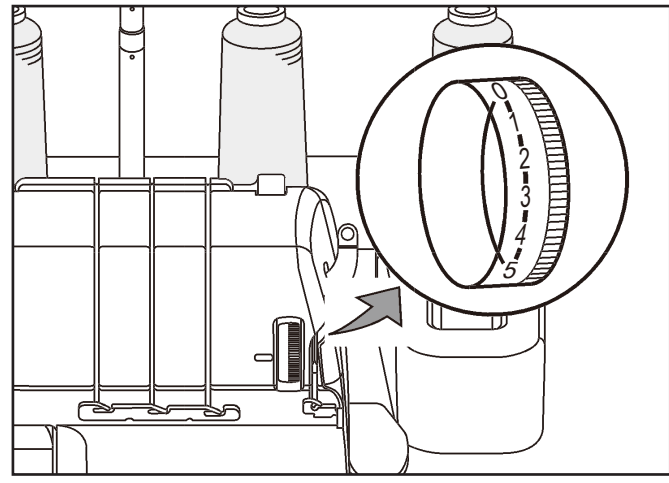
Thread Delivery System (Needle Thread Tension)

The Baby Lock Euphoria revolutionizes the way needle thread tension works with its exclusive Thread Delivery System. You no longer have to manually adjust the tension settings for the type of chain or cover stitch you are sewing. The Euphoria will automatically feed the correct amount of thread through the needle thread guides to form a perfect stitch every time.

Chain Looper Tension Dial

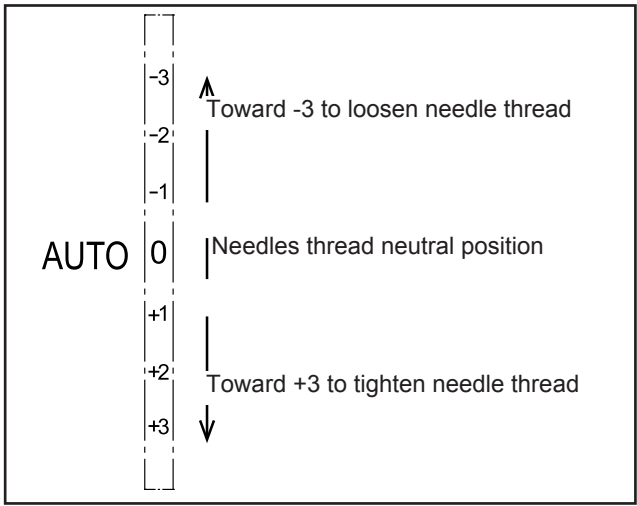
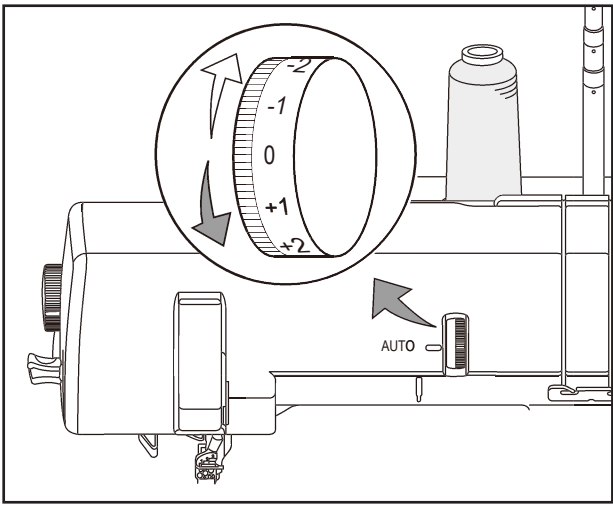
The chain stitch and cover stitch tension dial is located on the upper right front of the machine. The dial can be turned from 0-5 to increase or decrease the tension for the chain/cover stitch looper thread.

- Set the tension dial between 2 and 3 for most stitches.
- Set the tension dial between 4 and 5 for tighter looper tension.
- Set the tension dial between 0 and 1 for looser looper tension.

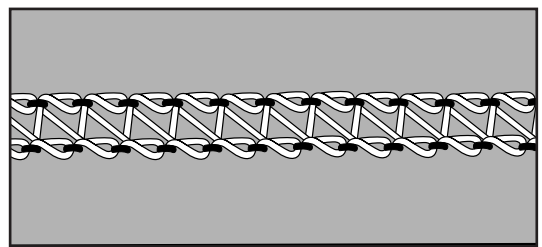


Needle Thread Fine-Tuning Dial

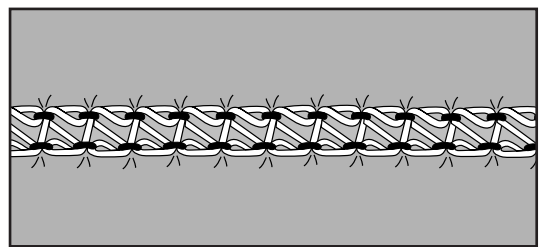
No adjustments are needed when sewing with most fabrics and threads on your Baby Lock Euphoria, but certain threads or fabrics may require minor fine-tuning of the Thread Delivery system to perfect your stitches. Increase or decrease the delivery of the needle threads with the needle thread fine-tuning dial. With your fingertips, turn the fine tuning dial up or down to adjust the needle threads equally.



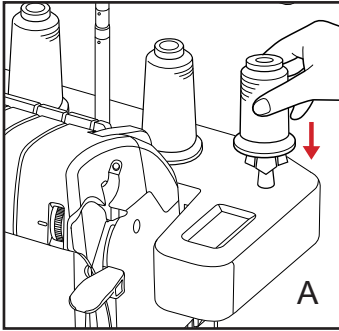
If the needle thread tension is loose, adjust fine-tuning dial for tighter needle tension.



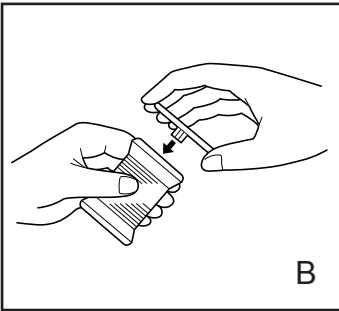
If the needle thread tension is tight, adjust fine-tuning dial for looser needle tension.



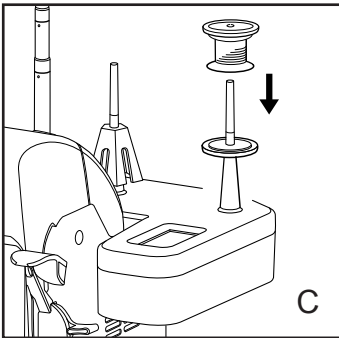
Threading Preparation



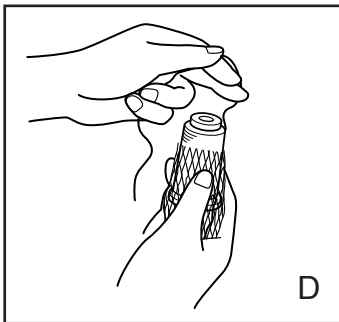
When using threads on cones or king spools, place the cone or spool securely over the cone holders furnished on your machine. To avoid bending the thread stand, you may need to place one hand under the stand while positioning the cone. The cone holders prevent the cone or spool from spinning, enabling the thread to feed evenly (fig. A).



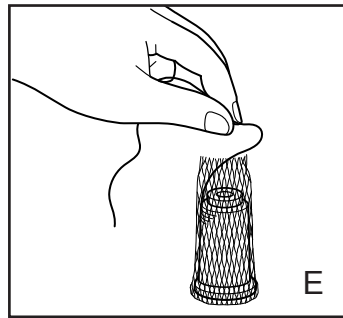
Because threads for the Euphoria feed from the top, standard spool threads can snag on the rough edges of many of these spools. The spool caps furnished with your Euphoria will provide a smooth surface for the thread to reel off the spools freely. With the spool notch side down, insert a spool cap into the top of the spool (fig. B).



When using standard spool threads on your serger, replace the cone holders with the sponge disks furnished with your machine. These disks hold smaller spools securely and help the thread to reel off properly. With the sponge disk in place, put the capped spool on the spindle (fig. C).

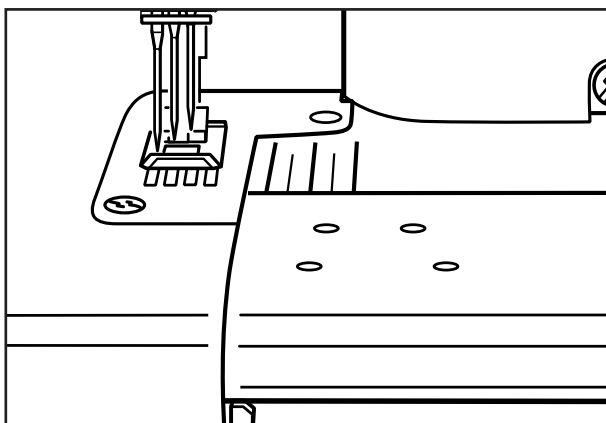


Thread nets may be placed over threads that tend to slip off the bottom of the spool during sewing. Most threads do not require their use, but nets often are necessary with nylon, rayon or silk threads (fig. D). Once it's on the spool, fold the net back on itself, if necessary, to enable the thread to feed smoothly without snagging on the net (fig. E).



Front Cover Seam Guide

There are marks on the bed of the Euphoria that can be used as a guides while sewing. It will depend on what cover or chain stitch needle position you will be using as to what the width will be.



The distance between the first mark on the left closest to the needle plate and each needle is:

C-1 needle: 1 inch (2.5cm), C-2 needle: 7/8 inch (2.25cm), and C-3 needle: 3/4 inch (2cm).

This guide is great for hemming garments with cover stitch.

1. Turn under hem and press.
2. Align the raw edge of the hem with the needles.
3. Align the folded edge of hem with the correct guide mark.

Threading Your Euphoria

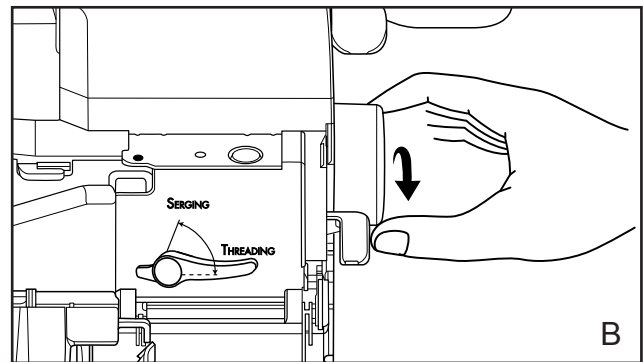
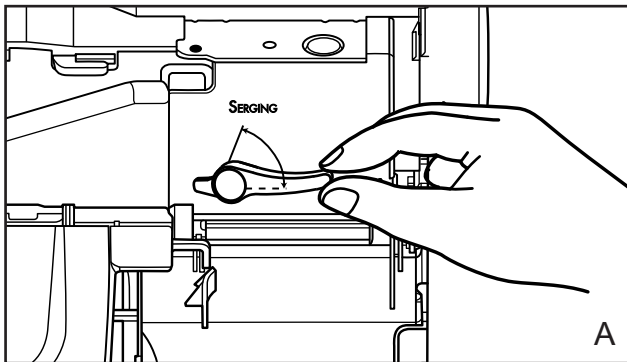
Your Baby Lock Euphoria is equipped with an exclusive "Electronic ExtraordinAir Threading System" for fast, easy threading of the chain looper.

One touch of the "Push-to-Thread" button will automatically thread the looper. It is no longer necessary to use tweezers for threading the thread guides. If the looper thread breaks or runs out, just re-thread it.

Thread Stand and Thread Port Reference Chart

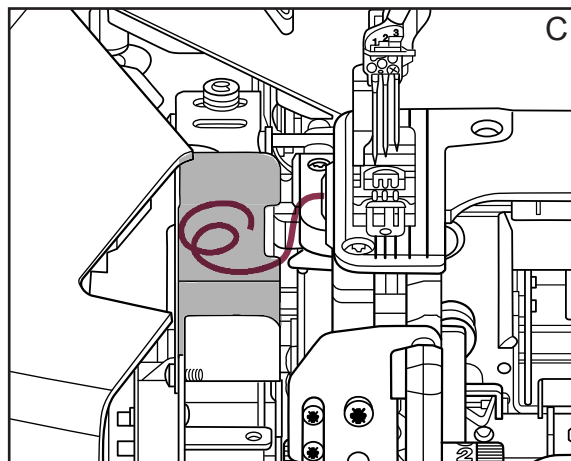
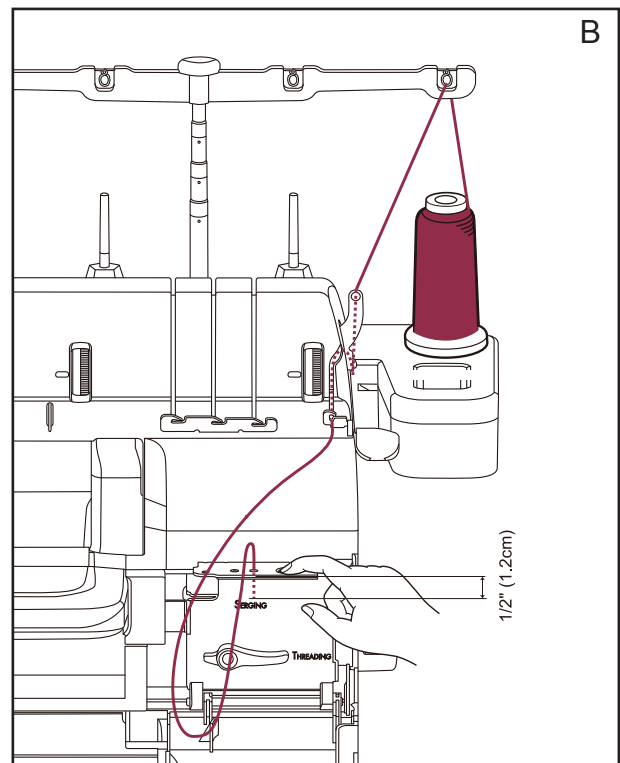
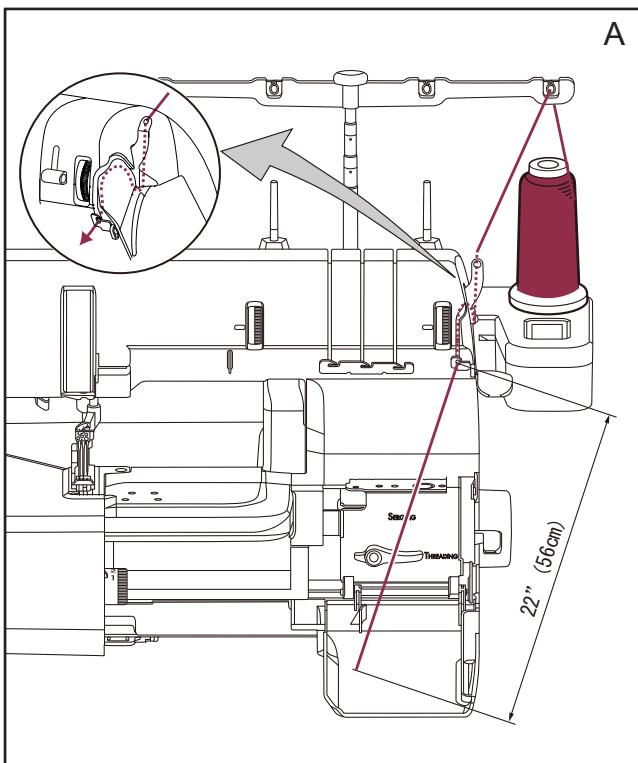
Note: The Euphoria must be in the locked threading position when threading the looper and needles unless otherwise indicated.

1. Open the front cover and front table.
2. Raise the presser foot to release all threads.
3. Set the threading lever from serging position to threading position (fig. A).
4. Rotate the machine handwheel slowly toward you until the tube moves to the connecting position (fig. B).



Chain Looper

1. With the presser foot in the raised position, open the front cover and move the threading lever into the threading position, and rotate the handwheel counterclockwise until the looper tube locks into position (see page 16, fig. A).
2. Place the thread cone or spool on the "Chain Looper" spool pin. Slip the thread into the telescopic antenna thread guide above the thread cone.
3. Insert the thread through the hole of the thread guide above the chain looper tension dial from the front of opening to the back. Bring the thread to the back under the thread guide, then up and over the tension dial, making sure the thread is in the tension disk (fig. A inset).
4. Take the thread down to the chain looper threading port.
5. Pull 22 inches (55cm) of thread and insert 1/2 inch (1.2cm) of thread into the chain looper threading port. Use tweezers if necessary to insert the thread end (fig. B).
6. Press the "Push to Thread Looper" button (fig. B). If the thread does not go through the eye of the chain looper with one push, push the threading button again until it does.
7. Open side cover to the left for easy access to the chain looper thread in tray (fig. C).
8. Trim excess thread to 4 inches (10cm) from the eye of chain looper and lay thread back inside the tray.
9. Close side cover.
10. Once machine is completely threaded for chosen stitching application, set the threading lever to serging position.



Chain / Cover Needles

Note: The Euphoria must be in the locked threading position when using the needle threader.

"Left Needle" C-1

1. Raise presser foot and place the thread on the far left spool pin. Slip the thread into the telescopic antenna thread guide directly above the thread spool. Snap the thread into the pretension thread guide on top of machine, down thread path, and in the guide just below the faceplate.
2. Pull an 8-inch (20cm) length of thread through the guide. Follow the arrows as shown in below illustration.
3. Using the needle threader, thread needle in the C-1 position (see page 19).

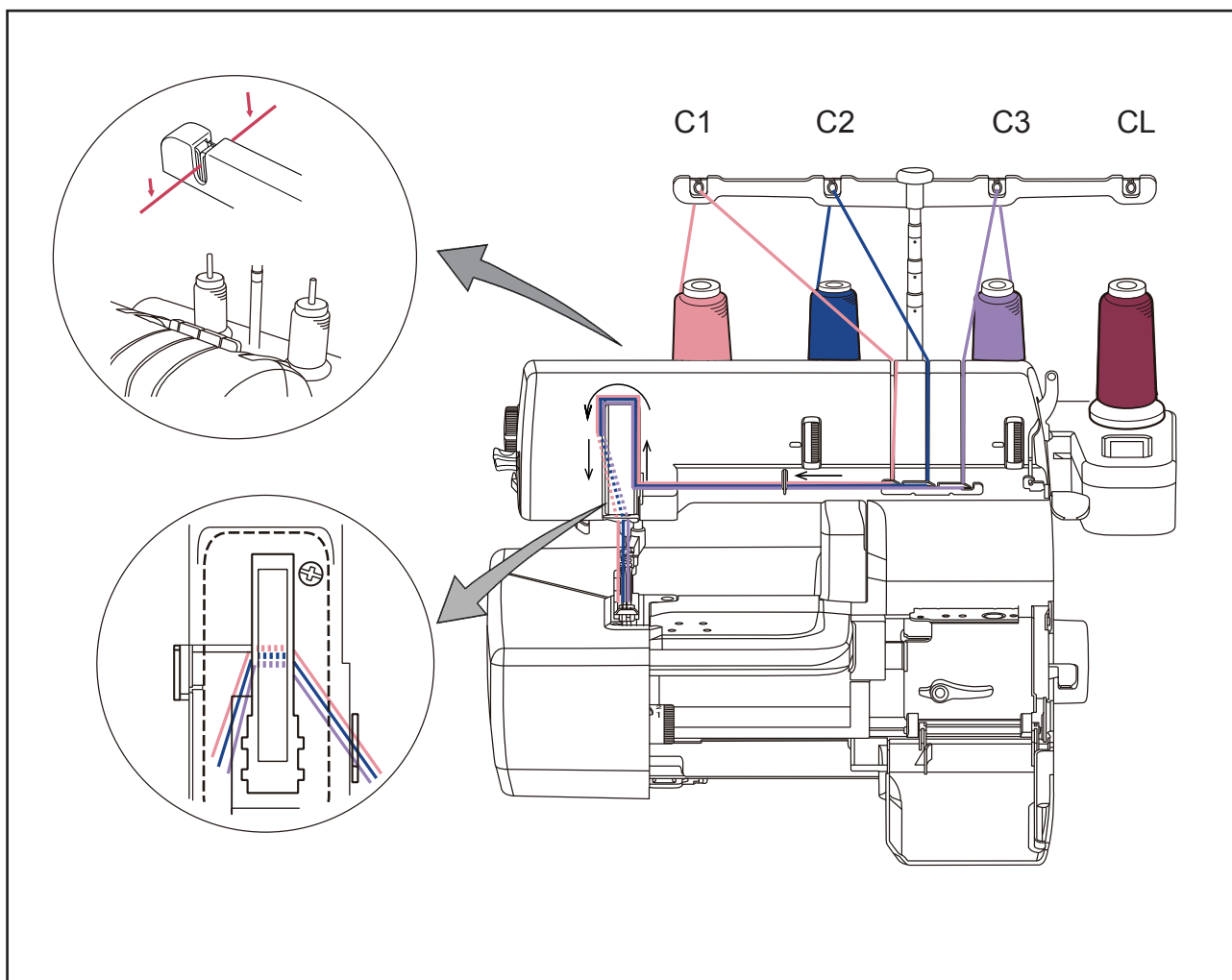
"Second from left" C-2

1. Raise presser foot and place the thread on the second from left spool pin. Slip the thread into the telescopic antenna thread guide directly above the thread spool. Snap the thread into the pretension thread guide on top of machine, down thread path, and in the guide just below the faceplate.
2. Pull an 8-inch (20cm) length of thread through the guide. Follow the arrows as shown in below illustration.
3. Using the needle threader, thread needle in the C-2 position (see page 19).

"Third from left" C-3

1. Raise presser foot and place the thread on the third from left spool pin. Slip the thread into the telescopic antenna thread guide directly above the thread spool. Snap the thread into the pretension thread guide on top of machine, down thread path and in the guide just below the faceplate.
2. Pull an 8-inch (20cm) length of thread through the guide. Follow the arrows as shown in below illustration.
3. Using the needle threader, thread needle in the C-3 position (see page 19).

NOTE: After threading the needles, the thread is then placed to the left and top of the presser foot.

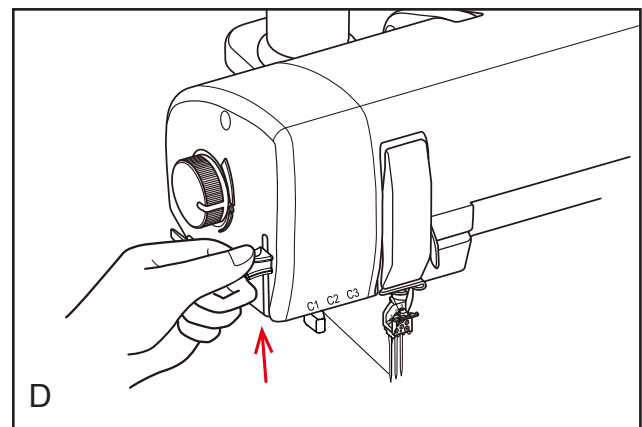
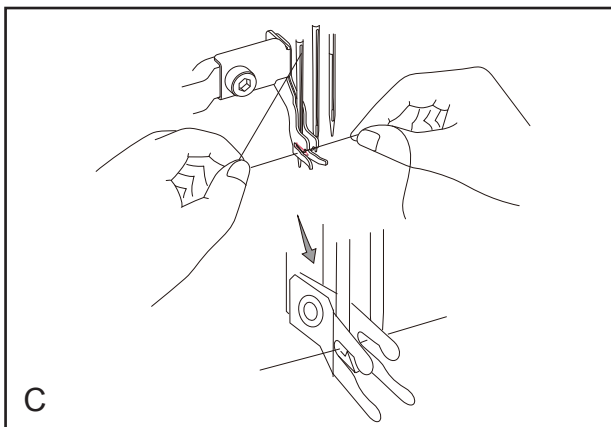
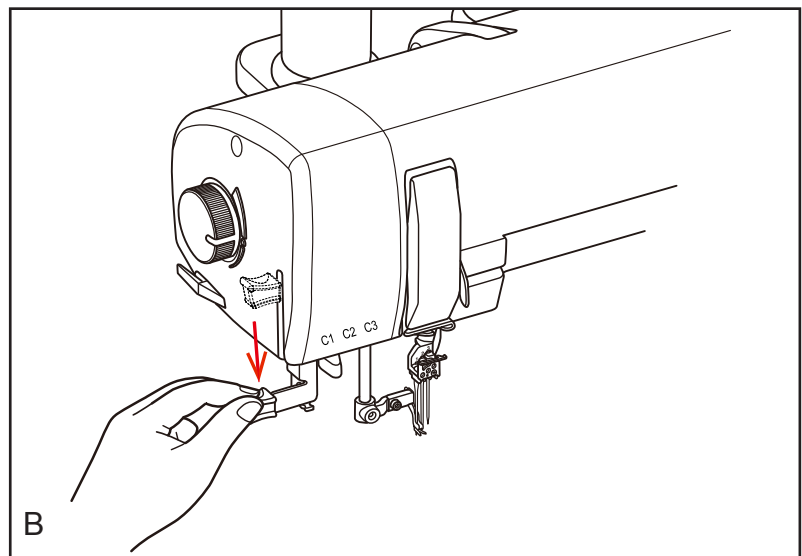
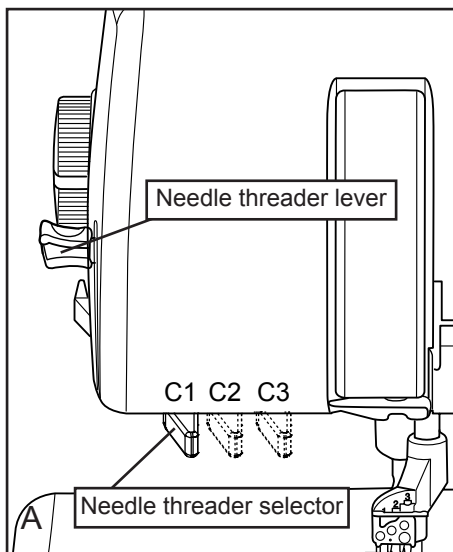


Needle Threader

1. Open the front cover and front table.
2. Raise the presser foot to release all threads.
3. Set the threading lever from serging position to threading position.
4. Rotate the machine handwheel slowly toward you until the tube moves to connecting position (see page 16).
5. Set the needle threader selector on "C1" (left needle) or "C2" (center needle) or "C3" (right needle) (fig. A).
6. Press the needle threader lever down (fig. B and C) so that the hook goes into the eye of the needle. The hook will remain in the eye of the needle.
7. Hold the needle thread horizontally with both hands and position the thread into the threader hook guides on top of thread hook (illustration C for correct positioning).
8. Raise the needle threader lever up again (fig. D). The hook will pull the thread through the eye of the needle as it is released.
9. Carefully remove the loop of thread from the needle threader hook and place the thread on top and to the left of the presser foot.

Note: The Euphoria must be in the locked threading position when using the needle threader.

This is also a safety feature when threading the needles, as the machine cannot sew while in the threading position.



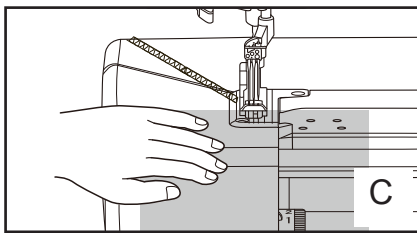
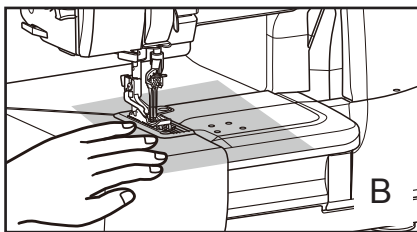
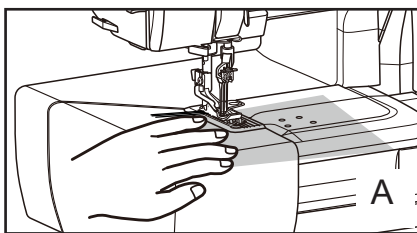
Re-threading Looper

If the looper thread breaks, raise the presser foot and pull the broken thread from under the foot. Open the front cover, move the machine threading lever to the threading position, and rotate the handwheel counterclockwise to lock the looper tube. Re-thread the machine above the threading port, leaving a 22-inch (55cm) thread tail. Thread the looper as usual and move the threading lever to the serging position. Trim the chain looper thread to 4 inches past the looper eye, and place in the chain looper thread tray. Close the front cover and sew a test sample.

Note: When re-threading your Euphoria using the "Electronic Extraordin Air Threading System" feature, ensure that the previous thread that was in the looper (tube) is completely removed. This will eliminate any chance of the previous thread obstructing the flow of the air when re-threading the machine.

Start to Sew

When threading is complete, the loose threads must initially interlock on fabric.



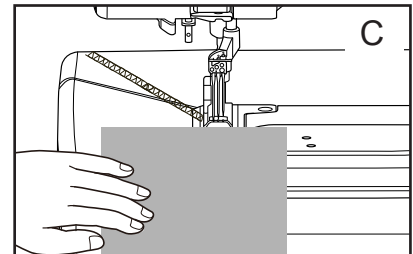
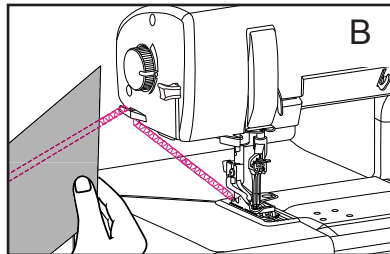
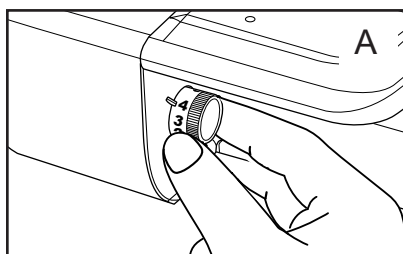
1. Cut all threads to 4 inches (10cm) in length past the looper eye and needle eyes. All needle threads should then be placed over the top and left of the presser foot. The threads at this time cannot be placed under the presser foot.
2. Place the fabric under the presser foot directly below the needles (fig. A).
3. Lower the presser foot.
4. Turn the handwheel toward you to form 2 or 3 stitches.
5. Start to sew slowly.
6. After the first few stitches, stop and cut excess threads (fig. B).
7. Start the next seam at the toe of the presser foot (fig. C).
8. You only need to raise and lower the presser foot when working with thick fabric or when precise position is required.

Note: Be careful not to push or pull the fabric. The Euphoria will feed it evenly without help.

To Chain-Off of the Fabric

Your Euphoria will sew a chain off the edge of the fabric. For best results, we recommend following the instructions below.

1. At the end of the seam, change the stitch length to 4 (fig. A).
2. Let the thread flow from the back for 2-4 inches without pulling (fig. B).
3. Start the next seam at the toe of the presser foot (fig. C).



Chain/Cover Stitch

Chain Stitching

The chain stitch is formed using two threads: one thread in the needle and one thread in the chain looper.

Chain Stitching looks like a straight stitch on the top of the fabric, while the chain looper thread forms a chain on the underside of the fabric. The chain stitch has stretchability that is not found in the conventional locked straight stitch from a sewing machine. The chain stitch is used to stabilize seams in woven fabrics and where needed in knit fabrics. The chain stitch can also be used for sewing wide elastic in garments and applying bias tape.

For Chain Stitch:

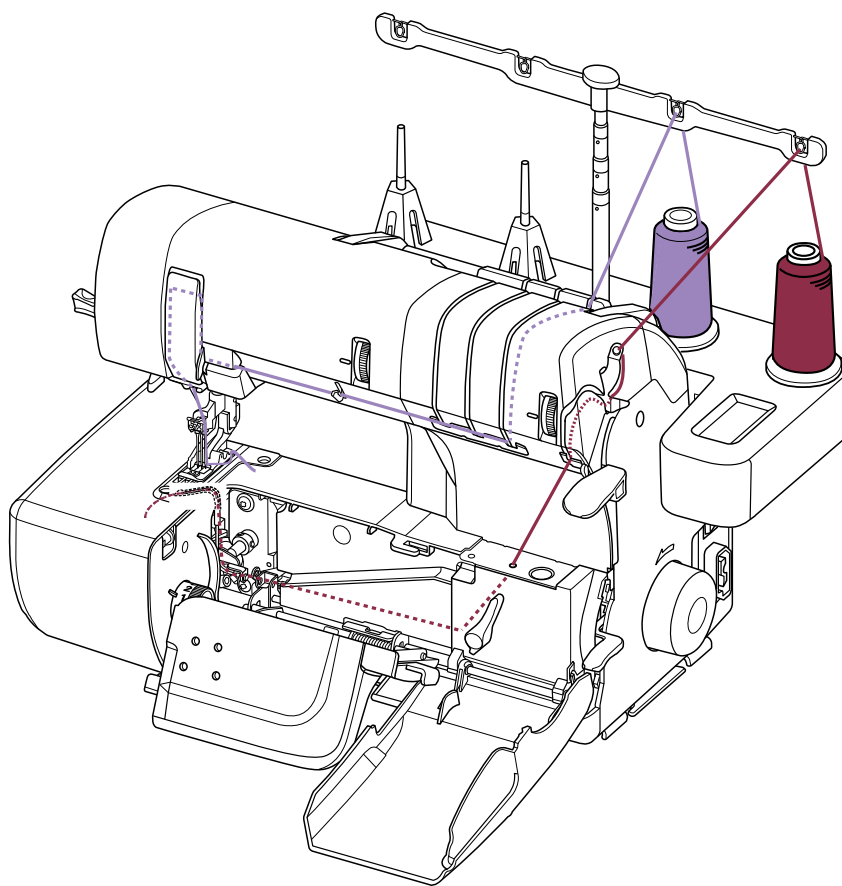
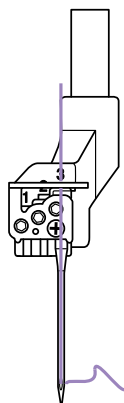
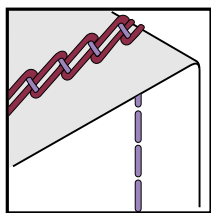
1. Place the machine in threading position to thread the chain looper (see page 16).
2. Follow the diagram to thread the chain looper. Open side cover of machine to make sure the thread is through the eye of the chain looper. Trim thread to 4 inches (10cm) and lay in tray.
3. Follow the guide on pages 18-19 to thread the chain/cover stitch needle, (C-1, C-2, or C-3). Place needle thread on top and to the left of presser foot before sewing.
4. Move the threading lever to serging position.
5. Set stitch length and other machine adjustments (see chart below).
6. Place the fabric under the needle and turn handwheel toward you two or three stitches in the fabric. Cut the excess threads and start sewing.

Note: All chain and cover stitches must be started with fabric under the needle(s).

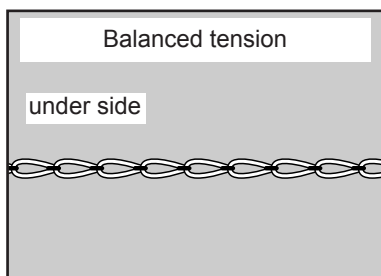
CHAIN STITCH

Needle Position C-1, C-2 or C-3	Needle Tension AUTO (0)	Chain Looper Tension 2-3	Stitch Length 3.0 - 4.0
------------------------------------	----------------------------	--------------------------------	----------------------------

Chain Stitching (Cont.)

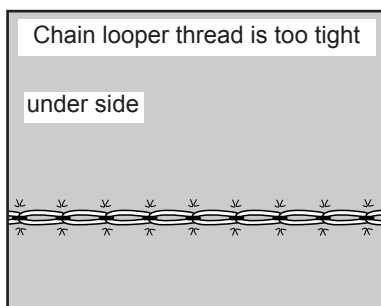


Chain Stitch Looper Tension Adjustments



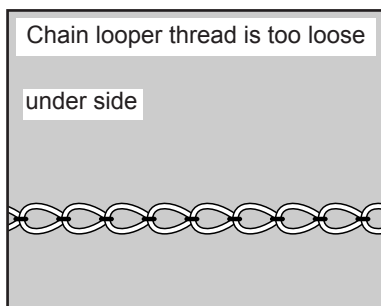
Balanced tension -

Chain stitch has correct tension when the needle thread sews a straight seam on the top side and the chain looper thread forms loops on the under side of the fabric.



Chain looper thread is too tight -

Decrease the chain looper tension dial to a lower number.



Chain looper thread is too loose -

Increase the chain looper tension dial to a higher number.

Note: For details of chain looper thread adjustment, see page 14.

Cover Stitch - Right Narrow - 3mm

The narrow cover stitch consists of two rows of straight stitching on the top side of the fabric with an overlock stitch on the underside of the fabric. This stitch is very common in the garment industry to hem knit garments. The narrow cover stitch is used on fine knits such as jersey and single knits for hemming or topstitching. The cover stitch is not limited to knit fabrics. It also works well with woven fabrics.

The Right Narrow cover stitch is formed using two "C" needle positions and the chain looper. The needle positions are C-2 and C-3. The width of the narrow cover stitch is 3mm.

For Cover Stitch:

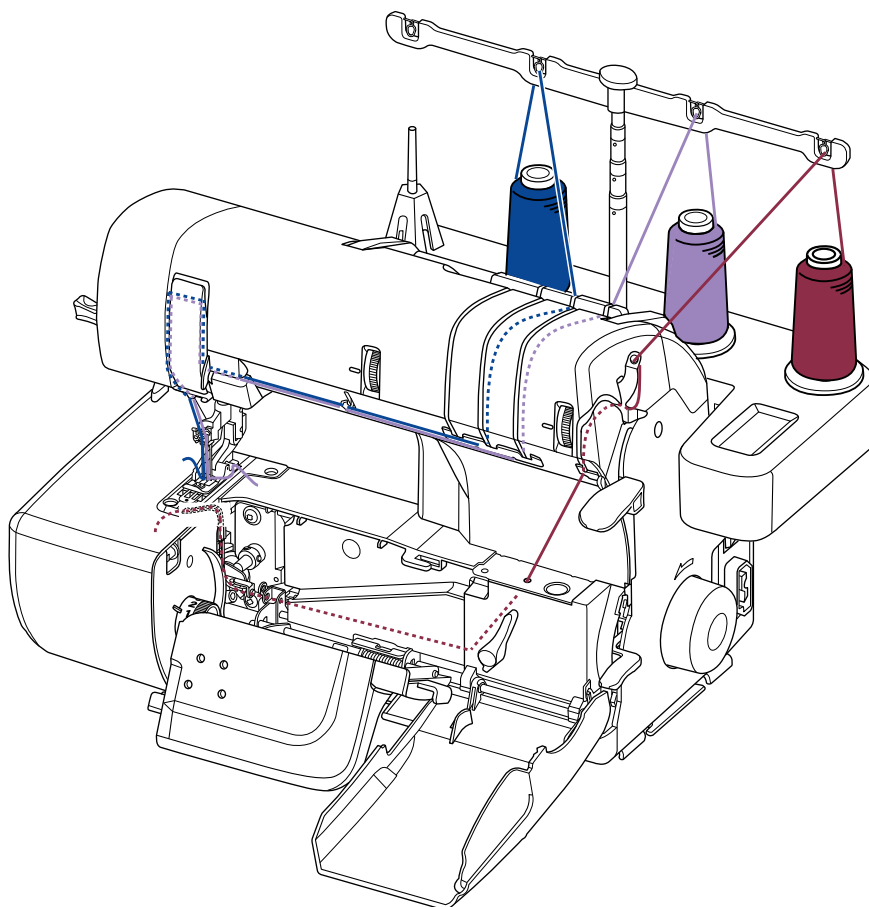
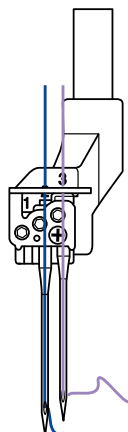
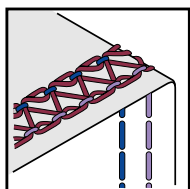
1. Place the machine in threading position to thread the chain looper (see page 16).
2. Follow the diagram to thread the chain looper. Open the side cover of the machine to make sure the thread is through the eye of the chain looper. Trim thread to 4 inches (10cm) and lay in tray.
3. Follow the diagram on pages 18-19 to thread the chain/cover stitch needles C-2 and C-3. Place needle threads on top and to the left of presser foot before sewing.
4. Move the threading lever to serging position.
5. Set stitch length and other machine adjustments (see chart below).
6. Place the fabric under the needles and turn handwheel toward you two or three stitches into the fabric. Cut the excess threads and start sewing.

Note: All chain and cover stitches must be started with fabric under the needle.

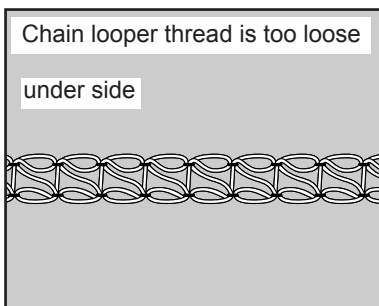
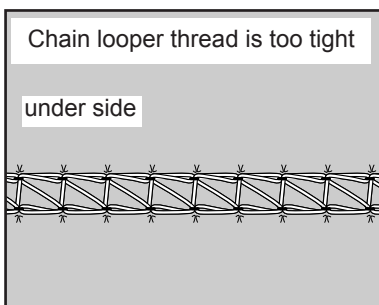
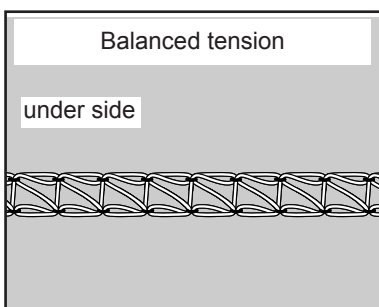
COVER STITCH - RIGHT NARROW

Needle Position C-2 and C-3	Needle Tension AUTO (0)	Chain Looper Tension 2-3	Stitch Length 3.0 - 4.0
--------------------------------	----------------------------	--------------------------------	----------------------------

Cover Stitch - Right Narrow (Cont.)



Cover Stitch - Right Narrow Looper Tension Adjustments



Balanced tension -

Cover stitch has correct tension when the needle threads sew two rows of straight stitching on the top side and the chain looper forms a zigzag on the underside of the fabric.

Chain looper thread is too tight -

Decrease the chain looper tension dial to a lower number.

Chain looper thread is too loose -

Increase the chain looper tension dial to a higher number.

Note: For details of chain looper thread adjustment, see page 14.

Cover Stitch - Left Narrow - 3mm

The narrow cover stitch consists of two rows of straight stitching on the top side of the fabric with an overlock stitch on the underside of the fabric. This stitch is very common in the garment industry to hem knit garments. The narrow cover stitch is used on fine knits such as jersey and single knits for hemming or topstitching. The cover stitch is not limited to knit fabrics. It also works well with woven fabrics.

The Left Narrow cover stitch is formed using two "C" needle positions and the chain looper. The needle positions are C-1 and C-2. The width of the narrow cover stitch is 3mm.

For Cover Stitch:

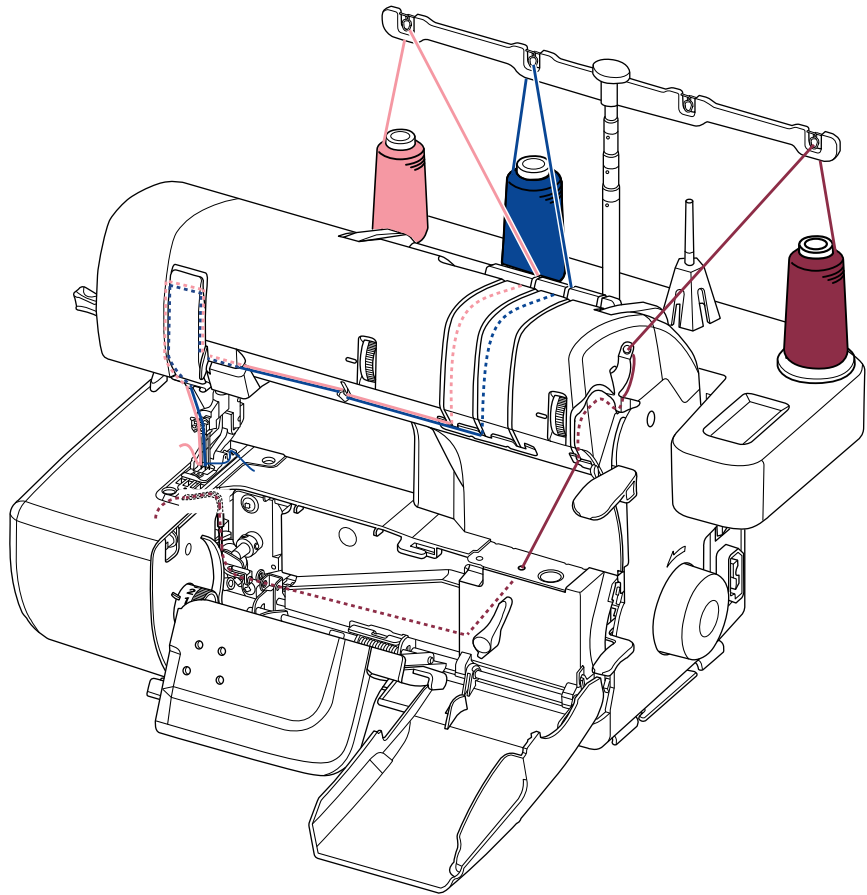
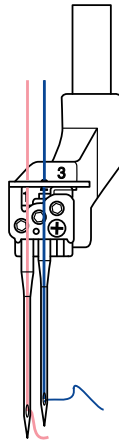
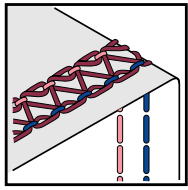
1. Place the machine in threading position to thread the chain looper (see page 16).
2. Follow the diagram to thread the chain looper. Open the side cover of the machine to make sure the thread is through the eye of the chain looper. Trim the thread to 4 inches (10cm) and lay in tray.
3. Follow the diagram on pages 18-19 to thread the chain/cover stitch needles positions C-1 and C-2. Place needle threads on top and to the left of presser foot before sewing.
4. Move the threading lever to serging position.
5. Set stitch length and other machine adjustments (see chart below).
6. Place the fabric under the needles and turn handwheel toward you two or three stitches into the fabric. Cut the excess threads and start sewing.

Note: All chain and cover stitches must be started with fabric under the needle(s).

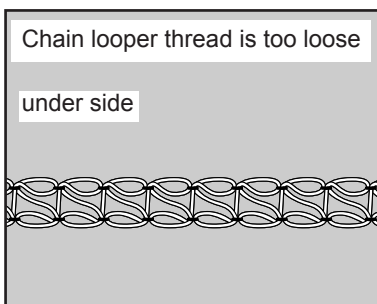
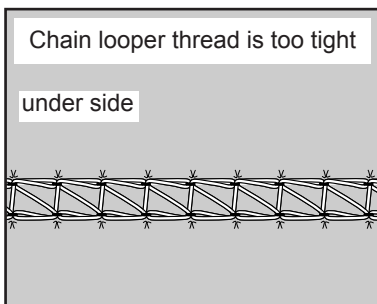
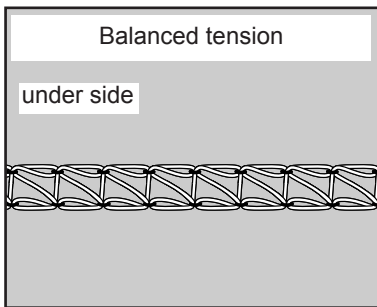
COVER STITCH - LEFT NARROW

Needle Position C-1 and C-2	Needle Tension AUTO (0)	Chain Looper Tension 2-3	Stitch Length 3.0 - 4.0
--------------------------------	----------------------------	--------------------------------	----------------------------

Cover Stitch - Left Narrow (Cont.)



Cover Stitch - Left Narrow Looper Tension Adjustments



Balanced tension -

Cover stitch has correct tension when the needle threads sew two rows of straight stitching on the top side and the chain looper forms a zigzag on the under side of the fabric.

Chain looper thread is too tight -

Decrease the chain looper tension dial to a lower number.

Chain looper thread is too loose -

Increase the chain looper tension dial to a higher number.

Note: For details of chain looper thread adjustment, see page 14.

Cover Stitch - Wide - 6mm

The wide cover stitch consists of two rows of straight stitching on top side of the fabric with an overlock stitch on the underside of the fabric. This stitch is very common in the garment industry to hem heavier knit fabrics such as double knits, sweatshirt fleece, and polar fleece. The wide cover stitch is not limited to knit fabrics. It also works well with medium to heavy woven fabrics.

The wide cover stitch is formed using two "C" needle positions and the chain looper. The needle positions are C-1 and C-3. The width of the wide cover stitch is 6mm.

For Cover Stitch:

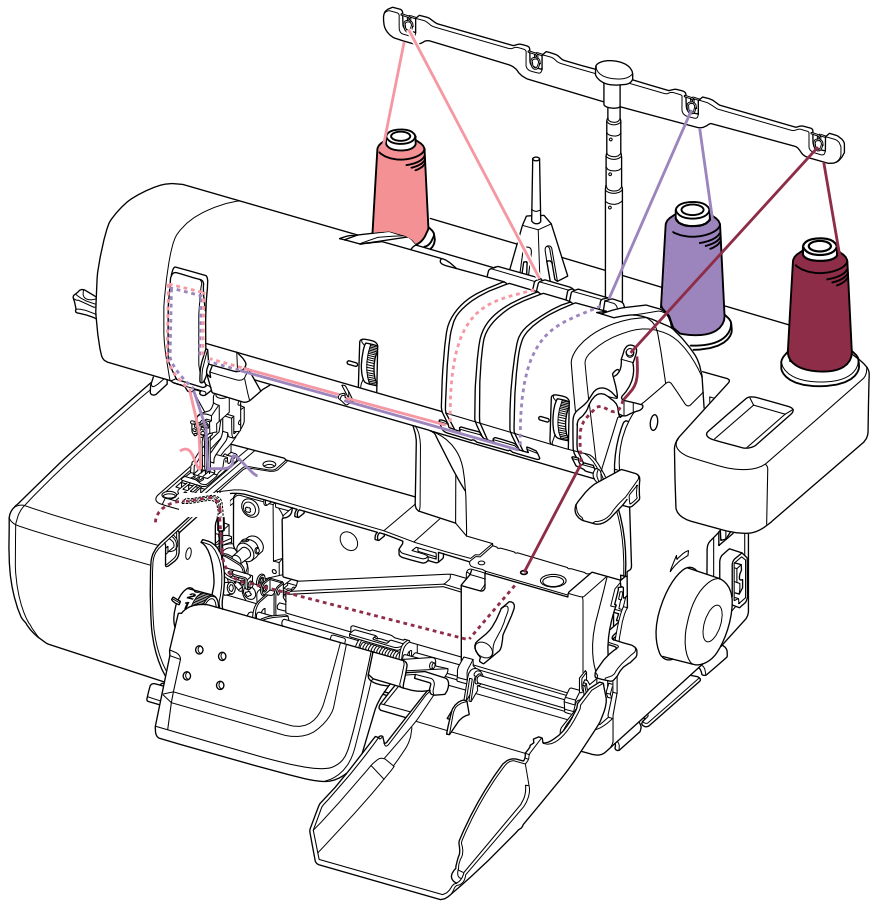
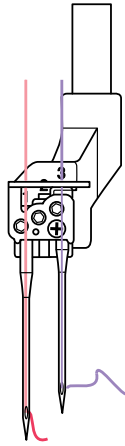
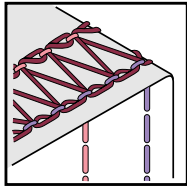
1. Place the machine in threading position to thread the chain looper (see page 16).
2. Follow the diagram to thread the chain looper. Open the side cover of the machine to make sure the thread is through the eye of the chain looper. Trim the thread to 4 inches (10cm) and lay in tray.
3. Follow the diagram on pages 18-19 to thread the chain/cover stitch needles C-1 and C-3. Place needle threads on top and to the left of presser foot before sewing.
4. Move the threading lever to serging position.
5. Set stitch length and other machine adjustments (see chart below).
6. Place the fabric under the needles and turn handwheel toward you two or three stitches in the fabric. Cut the excess threads and start sewing.

Note: All chain and cover stitches must be started with fabric under the needle(s).

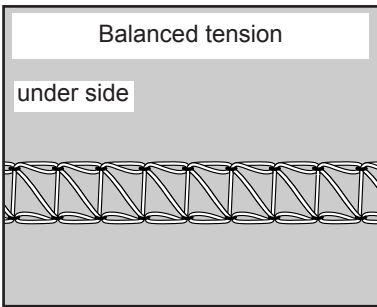
COVER STITCH - WIDE

Needle Position C-1 and C-3	Needle Tension AUTO (0)	Chain Looper Tension 2-3	Stitch Length 3.0 - 4.0
--------------------------------	----------------------------	--------------------------------	----------------------------

Cover Stitch - Wide - 6mm (Cont.)

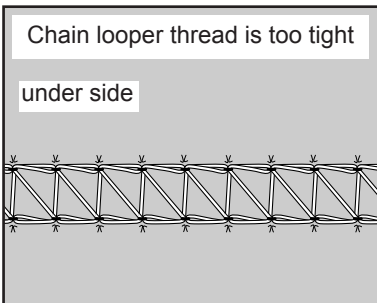


Cover Stitch - Wide Looper Tension Adjustments



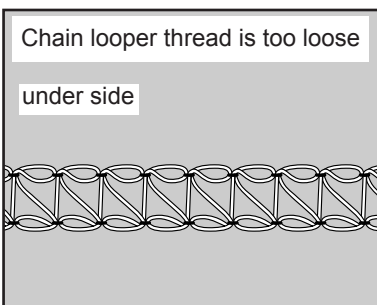
Balanced tension -

Cover stitch has correct tension when the needle threads sew two rows of straight stitching on the top side and the chain looper forms a zigzag on the underside of the fabric.



Chain looper thread is too tight -

Decrease the chain looper tension dial to a lower number.



Chain looper thread is too loose -

Increase the chain looper tension dial to a higher number.

Note: For details of chain looper thread adjustment, see page 14.

Triple Cover Stitch - 6mm

The Triple Cover Stitch can be used for topstitching, hemming, and elastic application. The stitch can also be used as a decorative stitch upside down with the overlock side on the right side of the fabric. The garment industry uses the Triple Cover Stitch frequently in activewear.

The Triple Cover Stitch is formed using all three "C" needle positions and the chain looper. The Triple Cover Stitch is made up of three rows of straight stitching on the top of the fabric with the chain looper forming an overlock stitch on the underside of the fabric.

For Triple Cover Stitch:

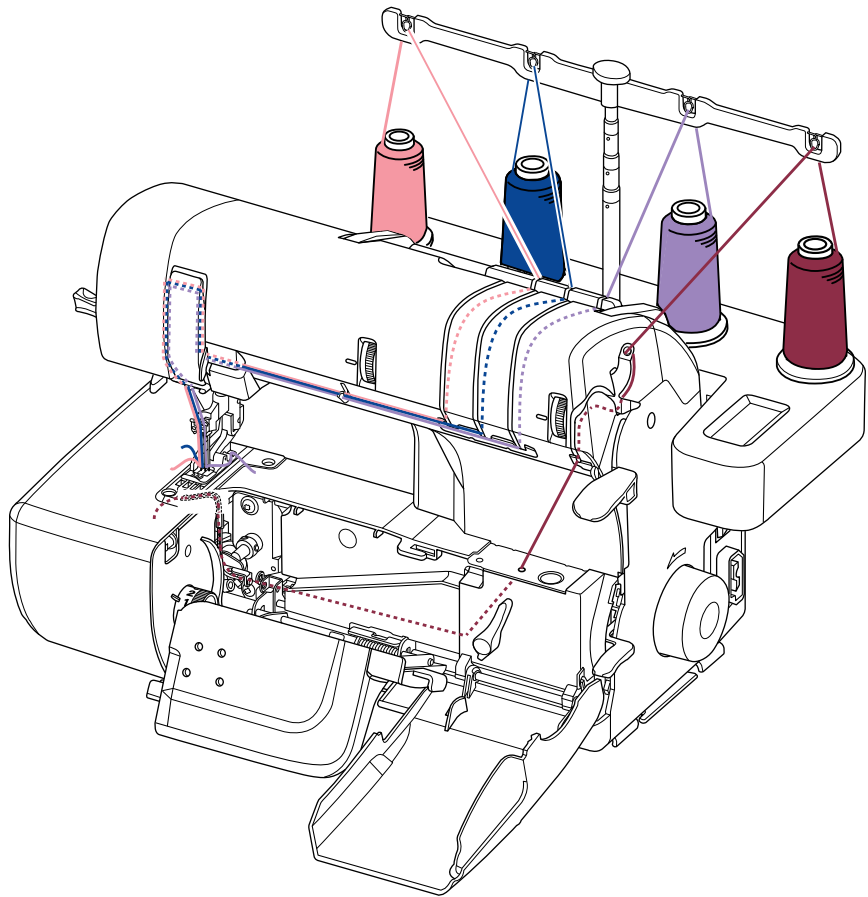
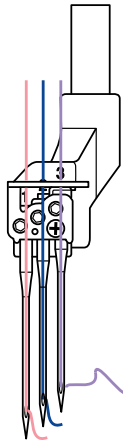
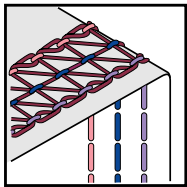
1. Place the machine in threading position to thread the chain looper (see page 16).
2. Follow the diagram to thread the chain looper. Open the side cover of the machine to make sure the thread is through the eye of the chain looper. Trim thread to 4 inches (10cm) and lay in tray.
3. Follow the diagram on pages 18-19 to thread the chain/cover stitch needles C-1, C-2 and C-3. Place needle threads on top and to the left of presser foot before sewing.
4. Move the threading lever to serging position.
5. Set stitch length and other machine adjustments. (see chart below).
6. Place the fabric under the needles and turn handwheel toward you two or three stitches in the fabric. Cut the excess threads and start sewing.

Note: All chain and cover stitches must be started with fabric under the needle(s).

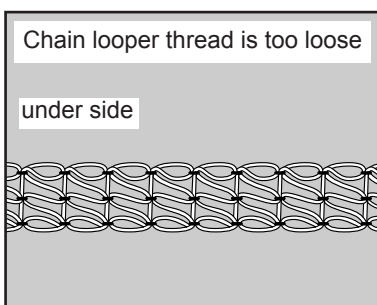
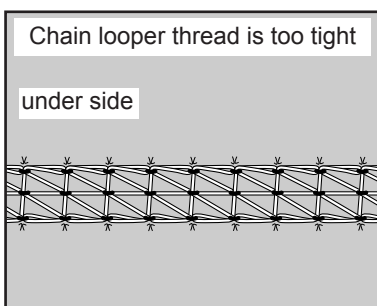
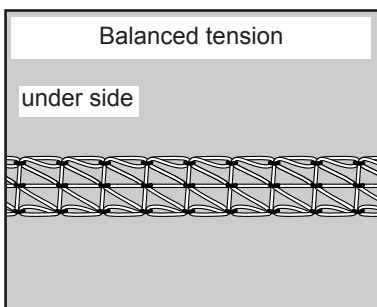
TRIPLE COVER STITCH

Needle Position C-1, C-2 and C-3	Needle Tension AUTO (0)	Chain Looper Tension 2-3	Stitch Length 3.0 - 4.0
-------------------------------------	----------------------------	--------------------------------	----------------------------

Triple Cover Stitch (Cont.)



Triple Cover Stitch Looper Tension Adjustments



Balanced tension -

Triple Cover stitch has correct tension when the needle threads sew three rows of straight stitching on the topside and the chain looper forms a zigzag on the underside of the fabric.

Chain looper thread is too tight -

Decrease the chain looper tension dial to a lower number.

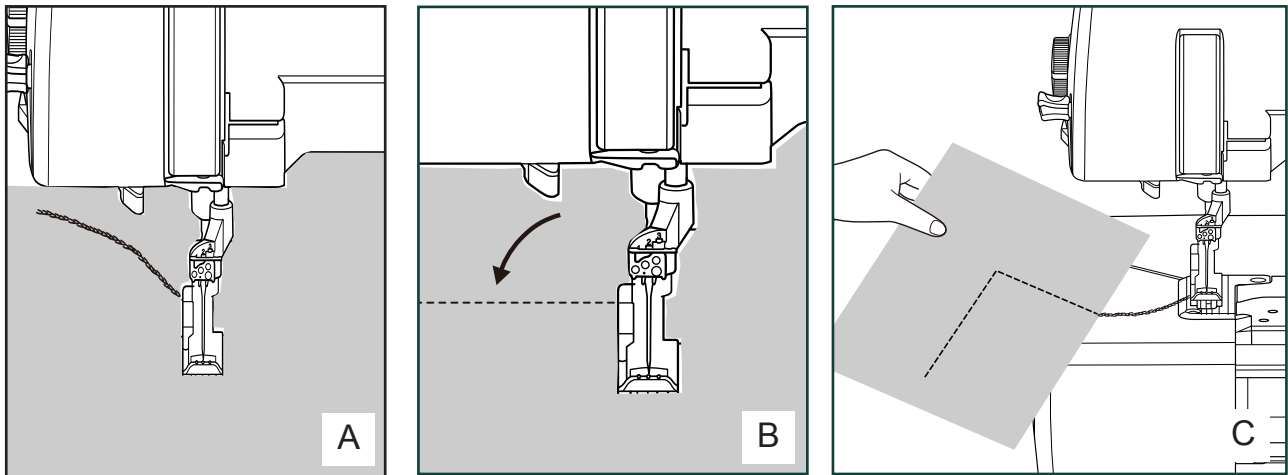
Chain looper thread is too loose -

Increase the chain looper tension dial to a higher number.

Note: For details of looper thread adjustment, see page 14.

Turning Corners - Chain Stitch

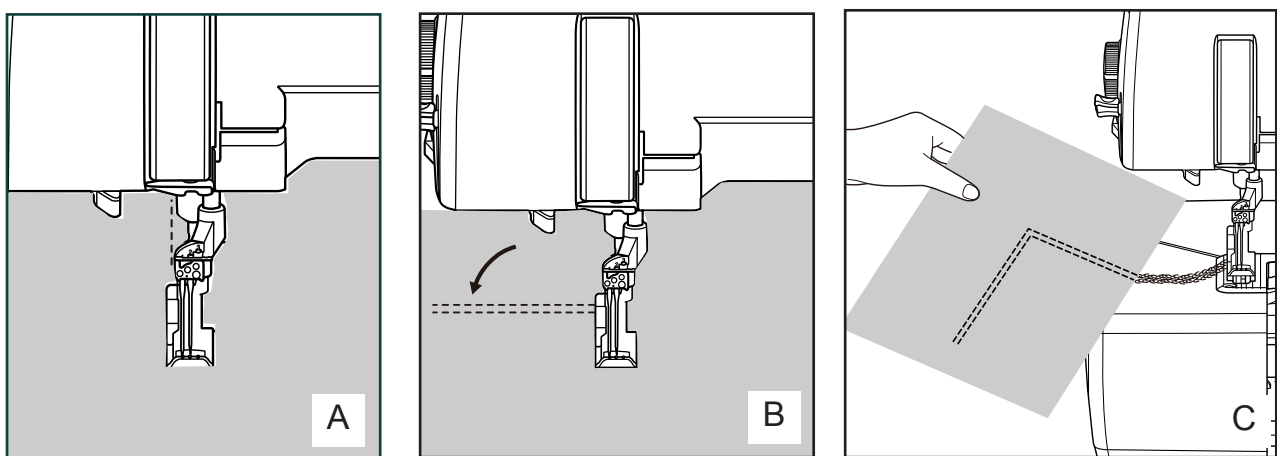
Sew to the point in fabric where you want to turn a corner. Stop the machine. Turn the handwheel toward you (counterclockwise) by hand, making sure the needle is going down in the fabric. Slowly start to raise the needle OUT OF FABRIC. Stop when you see the eye of the needle. The point of the needle will still be in the fabric. Raise the presser foot (fig. A), and slowly pivot the fabric (fig. B). Lower the presser foot and continue to sew (fig. C).



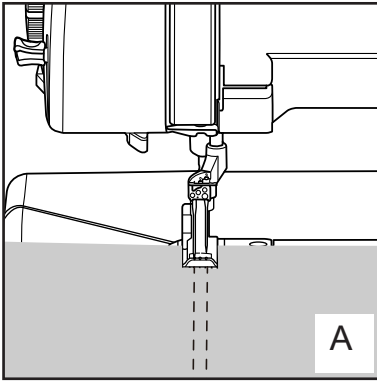
Turning Corners - Cover Stitch

Sew to the point in fabric where you want to turn a corner. Stop the machine. Turn the handwheel toward you (counterclockwise) until the needles are down in the fabric. Turn the handwheel away from you (clockwise) until the needles are in the highest position and the needles are out of the fabric. Raise the presser foot (fig. A) and slowly pivot the fabric. Align the needles with the stitching on the fabric (fig. B) and lower the presser foot. Continue to sew (fig. C).

To keep the stitch from unraveling at the corner(s), use a hand needle and thread to complete the corner on the top of the fabric and catch the chain looper thread on the underside.

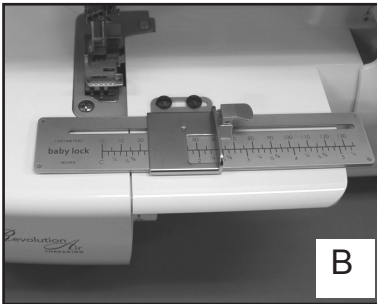


Flat Hemming - Cover Stitch

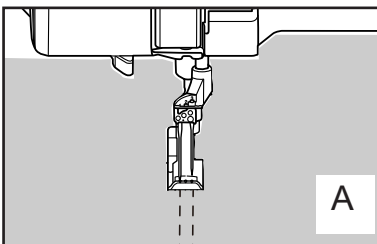


1. Leave one seam on the garment open.
2. Measure, turn up, and press hem on garment.
3. On right side of garment, mark hem allowance with marking pen.
4. Place garment right side up under the presser foot, aligning the marked hem with the needles. Make sure both needles are positioned on the raw edge of the hem (fig. A).
5. Sew hem.
6. Sew seam on garment.

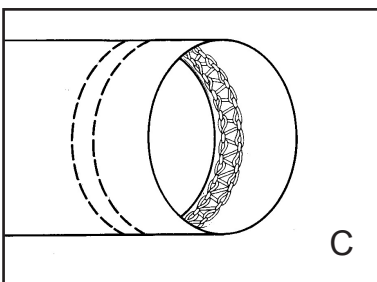
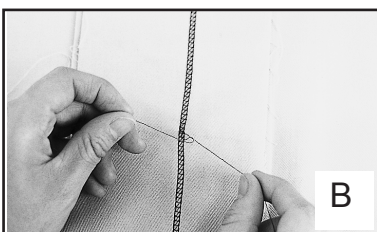
Note: Optional guide or attachments will help with hemming (fig. B). Ask your Baby Lock retailer.



Hemming in the Round - Cover Stitch



1. Sew all seams on the garment.
2. Measure, turn up and press the hem on garment.
3. Place garment right side up under the presser foot, aligning the raw edge of the fabric with the needles. Stitch around the hem, overlapping the stitching approximately 1/2 inch (13mm) (fig. A).
4. Turn the handwheel towards you until the needles are in the lowest position in the fabric.
5. Carefully reverse the handwheel until the needles are in the highest position.
6. Raise the presser foot to release the tension.
7. Carefully and firmly pull fabric and threads to the left. Cut threads.
8. Pull threads to the back of fabric and tie off or use a seam sealant to secure the threads at the tie off (fig. B) (fig. C).



Securing Chain and Cover Stitching

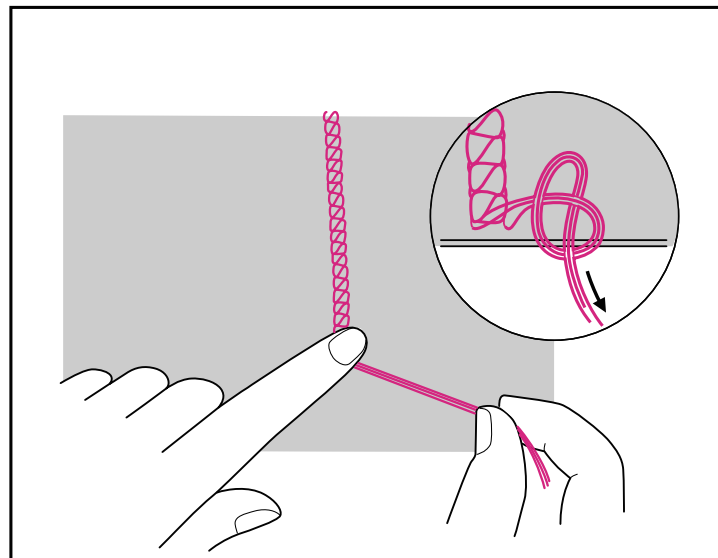
The Chain Stitch and Cover Stitch can easily be removed. Trim the chain tail to edge of fabric and the "end" of the seam and pull on the chain looper thread on underside of the fabric. This will give you the opportunity to "unsew" or temporarily seam very easily.

To secure the chain stitch or cover stitch, at the end of the seam, bring the needle thread(s) to the back of the fabric and tug on the needle threads to secure the seam.

The cover stitch needle threads may also be tied to prevent raveling of the stitch. See illustration below.

To secure the beginning of the Cover stitching the thread tail can be brought around to the front of the needles and caught into the cover stitching (this technique is not available for chain stitch).

Remove the threads from the front and tie all the threads together on the wrong side.



Using Specialty Threads

Stitching with specialty threads can create beautiful stitches. These heavy or shiny threads can be used to enhance the appearance of a stitch and create special effects.

Some specialty threads work well through the needle and chain looper, while others are too heavy to be threaded through the needle and are for chain looper use only.

Use the "Specialty Thread Guide Chart" (see page 38) as a guide for using specialty threads. Keep in mind that the quality of the thread may vary and tension settings will vary from thread to thread. Make a test sample before starting on the project.

Lightweight Threads

Lightweight threads such as rayon machine-embroidery thread and lingerie thread, can easily be threaded on the Baby Lock Euphoria. Very fine monofilament threads may need threading assistance from a "Threading Cradle" (see page 35) or "Looper Threading Tool" (see page 36).

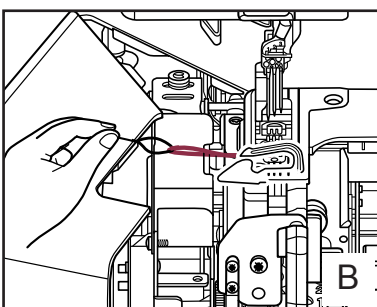
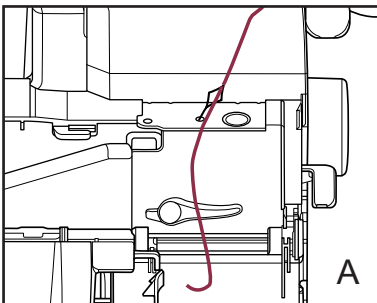
Medium Weight Threads

Medium Weight threads, such as topstitching thread, Décor rayon, and stretch nylon thread, are often too bulky to use the ExtraordinAir feature for the threading port and looper. By using a "Threading Cradle" (see page 35) or "Looper Threading Tool" (see page 36), the heavier threads can be threaded easily in the Baby Lock Euphoria.

Heavyweight Threads

Heavyweight threads such as Pearl Crown Rayon, Décor 6, and Candlelight will need extra attention in the chain looper. Directions for bypassing the threading port (see page 37) may need to be used for heavyweight thread. Please follow the Specialty Thread Guide Chart (see page 38) for special instructions concerning the use of these threads.

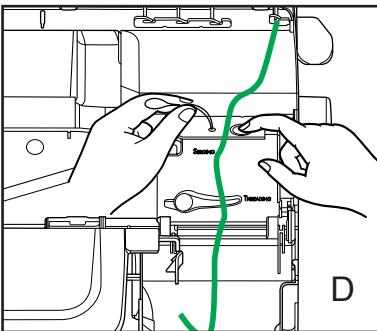
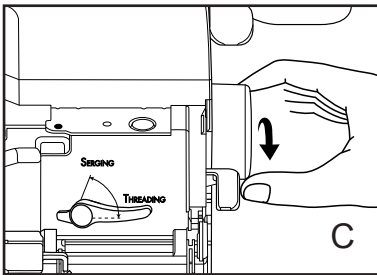
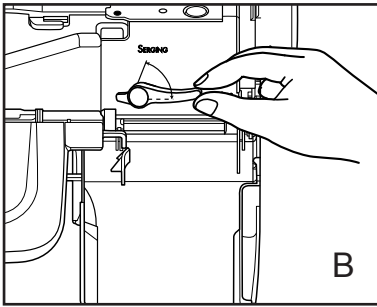
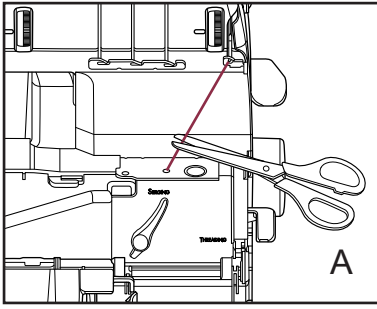
Looper Threading Tool



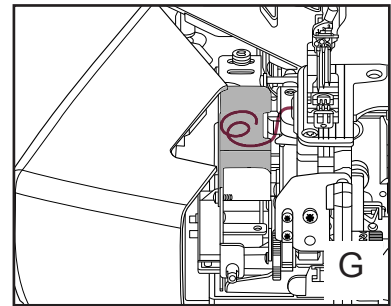
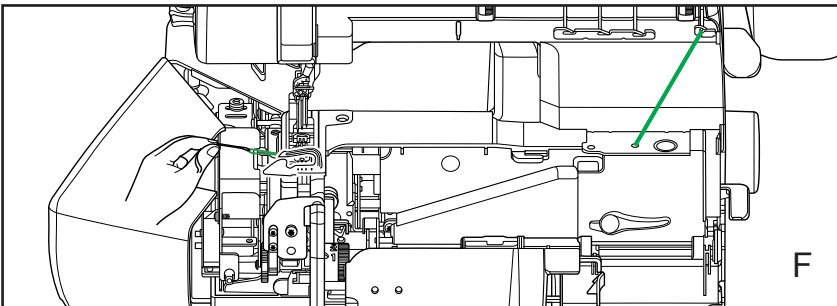
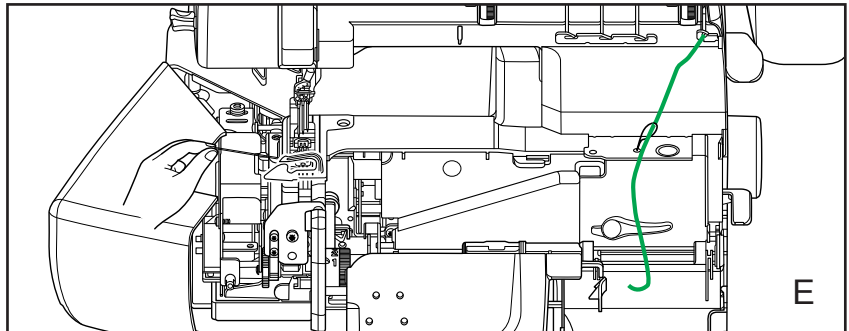
NOTE: Make sure the looper tube is clear of thread before re-threading machine.

1. Open the front cover and raise the presser foot.
2. At the threading port, cut the chain looper thread. Remove chain looper thread from under the presser foot and the upper thread guides. Replace cone of thread with specialty thread.
3. Place the machine in threading position to thread the chain looper.
4. Thread specialty thread into the upper thread guides and tension disk, leaving a 22-inch (55cm) tail above the threading port.
5. Place the straight end of the looper threading tool into the threading port. Push the looper threading tool until the end comes out of the looper eye. Open side cover of machine to see threading tool come out of the eye of chain looper.
6. Insert the specialty thread tail into the looper threading tool eye (fig. A). Pull the straight end of the looper threading tool through the looper eye bringing the specialty thread with it (fig. B).
7. Cut chain looper thread to 4 inches (10cm) and place in tray. Close the side cover of the machine.

Thread Cradle for Loooper



1. Open the front cover and raise the presser foot.
2. At the threading port, cut the chain looper thread (fig. A). Remove thread from under the presser foot and the upper thread guides. Replace cone of thread with specialty thread.
3. Place the machine in threading position to thread the chain looper (fig. B and C).
4. Thread specialty thread into the upper thread guides and tension disk, leaving a 22-inch (55cm) tail above the threading port (fig. D).
5. Cut a 24 inch (60cm) strand of serger thread and fold in half to form a thread cradle. Insert the loose ends of the thread cradle into the port about 1 inch (2.5cm).
6. Holding the cradle loop with left hand, depress push-to-thread chain looper button with your right hand (fig. D) until the thread ends come out the looper eye. Open side cover of machine to make sure thread is in eye of chain looper.
7. Insert the specialty thread tail into the cradle loop (fig. E), and pull the serger thread ends until the specialty thread comes through the looper eye (fig. F). Discard or set aside the thread cradle.
8. Cut chain looper thread 4 inches (10cm) and place in tray. Close side cover of machine (fig. G).



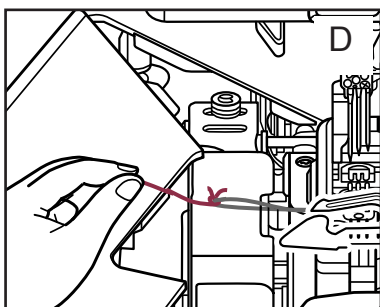
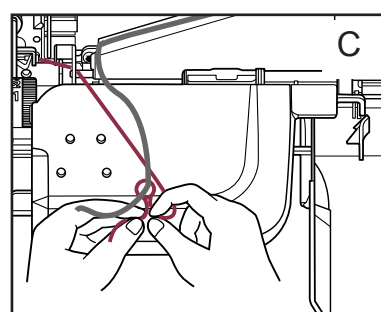
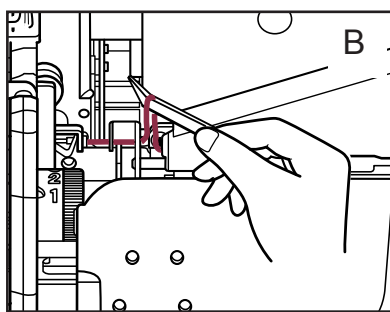
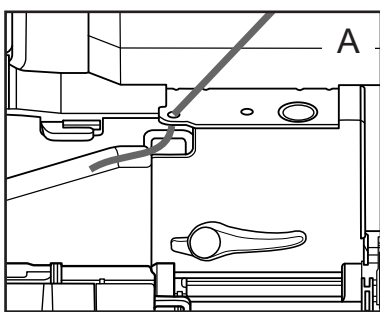
Bypassing the Threading Port

Heavyweight threads can be used through the chain looper thread path. Specific techniques may require that the thread bypass the thread port for the thread pull to be loosened. Start with the machine threaded with regular chain looper thread.

1. Open front cover and front table then raise the presser foot.
2. Just above the threading port, clip the chain looper thread. Pull the thread out of the upper guides and remove the thread cone.
3. Place the specialty thread on the spool pin. Thread it into the upper guides and tension disk. Bring the thread end through the hole just left of the threading port. (This will allow the front cover to be closed while sewing. Leave approximately 12 inches (30cm) of thread to be threaded through the chain looper (fig. A).
4. With machine threading lever in serging position, use the tweezers to pull the existing looper thread out of tube extending from the threading mechanism (fig. B). Leave the thread in the looper arm.
5. Tie the specialty thread onto the regular thread with an overhand knot (fig. C). Pull on the regular thread from the looper eye until the specialty thread comes through the looper eye (fig. D).
6. Trim the specialty thread to 4 inches (10cm), place in chain looper tray and close the side cover.

If the thread is heavy and the overhand knot (step #5) is too large for the looper tube, follow directions #1 thru #6 on page 35 to make a thread cradle. Then:

1. Engage the threading lever to the serging position.
2. While holding the loose ends of the thread cradle with one hand, use the tweezers to pull the cradle loop out of the tube extending from the threading mechanism with the other hand.
3. Insert 2 inches (5cm) of the decorative thread into the cradle loop. Pull on the loose ends of the thread cradle from the looper eye until the specialty thread comes through the chain looper eye.
4. Trim the specialty thread to 4 inches (10cm), place in chain looper tray and close the side cover.



Chain Looper for Ribbon Thread

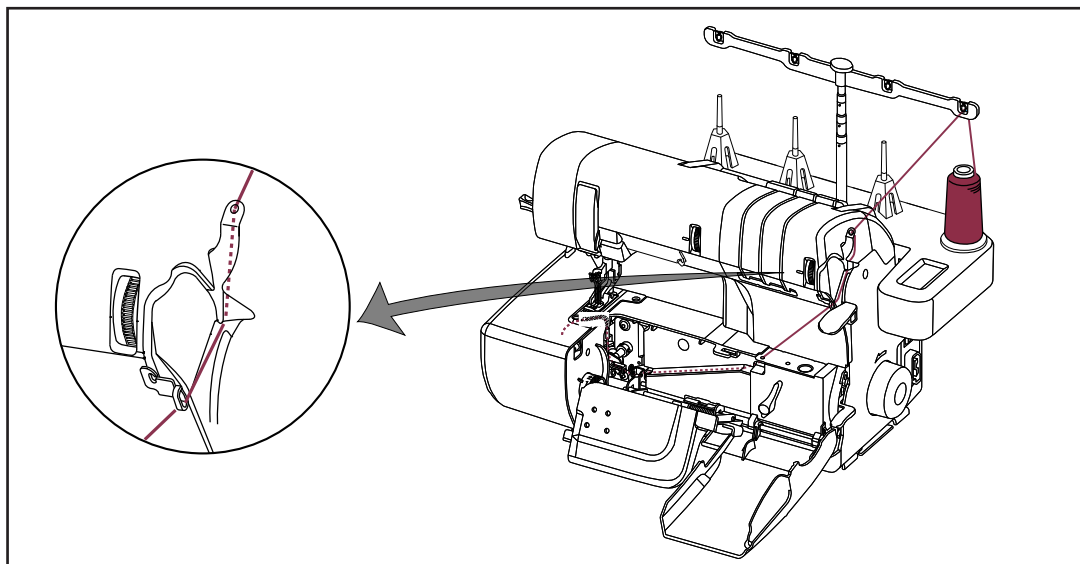
Heavyweight threads and ribbon threads can be used through the chain looper thread path. Specific techniques may require that the thread bypass the thread port for the thread pull to be loosened. Start with the machine threaded with regular chain looper thread.

1. Open front cover and front table then raise the presser foot.
2. Just above the threading port, clip the chain looper thread. Pull the thread out of the upper guides and remove the thread cone.
3. Place the specialty thread on the spool pin. Thread it into the upper guides. For ribbon thread, DO NOT THREAD it into the tension disks (see illustration below).
4. Bring the specialty thread end through the bypassing thread guide located just left of the looper threading port. Leave approximately 12 inches (30cm) of thread to be threaded through the chain looper (see below).
5. With machine threading lever in the serging position, use tweezers to pull the existing looper thread out of the tube extending from the threading mechanism (see page 36 fig. B). Leave the thread in the looper arm.
6. Tie the specialty thread (or ribbon thread) onto the regular thread with an overhand knot (see page 36 fig. C). Pull on the regular thread from the looper eye until the specialty thread comes through the looper eye (see page 36 fig. D).
7. Trim the specialty thread (or ribbon thread) to 4 inches (10cm), lay the thread end in the chain looper tray, and close the side cover.

Note: If the thread is heavy and the overhand knot (step #6) is too large for the looper tube, follow directions #1 thru #6 on page 35 to make a thread cradle. Then, engage the threading lever to the serging position. Holding the loose ends of the thread cradle with one hand, use the tweezers to pull the cradle loop out of the tube extending from the threading mechanism with the other hand. Insert 2 inches (5cm) of the decorative thread into the cradle loop, and pull on the loose ends of the thread cradle from the looper eye until the specialty thread comes through the chain looper eye. Trim the specialty thread to 4 inches and lay in the chain looper tray and close the side cover.

CHAIN STITCH

Needle Position	Needle Tension	Chain Looper Tension	Stitch Length
C-1, C-2 or C-3	AUTO (0)	<u> </u>	3.0 - 4.0



Specialty Thread Guide Chart

CHAIN/COVER STITCHES	Topstitching Buttowhole Twist (Medium Weight)	Wooly Nylon (Medium Weight)	Metallic Threads (Lightweight)
2-Thread Chain Stitch C-1, C-2, or C-3 Needle Position	In chain looper only	In chain looper only	In needles only
3-Thread Cover Stitch Left Narrow Right Narrow Wide	In chain looper only	In chain looper only	In needles only
4-Thread Triple Cover Stitch	In chain looper only	In chain looper only	In needles only
COMMENTS :	Not recommended for needles. Use in looper only.	Not recommended for needles.	Sew at a slower speed when sewing with metallic threads.
CHAIN/COVER STITCHES	Clear Nylon Filament (Lightweight)	Lingerie Thread, Rayon or Polyester Machine-embroidery Thread (Lightweight)	Decorative Thread: Décor, Candlelight, Pearl Crown Rayon (Heavyweight)
2-Thread Chain Stitch C-1, C-2, or C-3 Needle position	Use in needle and chain looper	Use in needle and chain looper	Use in chain looper only
3-Thread Cover Stitch Left Narrow Right Narrow Wide	Use in needle and chain looper	Lingerie thread: Use in needles and chain looper. Machine embroidery thread: Use in needles only.	Use in chain looper only
4-Thread Triple Cover Stitch	Use in needle and chain looper	Lingerie thread: Use in needles and chain looper. Machine embroidery thread: Use in needles only.	Use in chain looper only
COMMENTS:	Make sure to use soft, pliable monofilament thread. Sew at a slower speed when sewing with monofilament thread.	Use thread nets or sponge disks to keep thread from spilling off spool. Sew at a slower speed when sewing with decorative thread.	Not recommended for needles

Troubleshooting

Before taking your machine in for service, check the following:

Machine fails to start:

1. Are electrical plugs properly connected?
2. Is the power switch on?
3. Check household circuit breaker or fuse.
4. Is the threading lever in the serging position?
5. Are the side cover and front covers closed securely?
6. Is the presser foot down?

Thread breaks:

1. Is the machine threaded correctly? Check each thread path carefully.
2. Is the correct needle inserted for the particular stitch - C-1, C-2, or C-3?
3. Is the needle inserted correctly?
4. Is the needle bent and worn?
5. Are you using good quality thread?
6. Is the thread feeding off the cone/spool freely?
7. Is the needle size correct for the type of fabric being used?
8. Are the needles being used the correct Organ ELx705CF system?

Chain or Cover Stitching:

1. Are the tensions too tight on the chain looper?
2. Is the stitch length too short?
3. Did you start the first stitch in the fabric?

Skipped Stitches:

1. Is the needle bent or worn?
2. Is the needle inserted correctly?
3. Is the machine threaded correctly?
4. Is the presser foot pressure right for the fabric?
5. Is the correct needle being used for the particular stitch?
6. Is the correct needle being used for the type of fabric being sewn?
7. Is the fabric being pulled from the rear of the machine while sewing?

Fabric will not feed in machine:

1. Is the machine engaged in the serging position?
2. Is the presser foot down?
3. Are the presser foot and feed dogs free of lint?
4. Is the presser foot pressure right for the fabric?
5. Is the stitch length set properly?
6. Is the needle plate secure on the machine?

Troubleshooting (Cont.)

Stitch Unbalanced:

1. Is the machine threaded correctly?
2. Is the proper presser foot on the machine?
3. Is the correct needle inserted and threaded?
4. Is the thread in the tensions?
5. Are the needle threads set in the threading paths correctly?
6. Is the tension dial set correctly for the chain looper?
7. Is the needle thread fine-tuning dial set correctly?

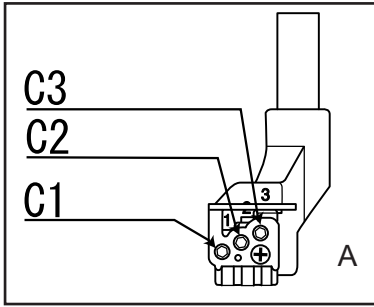
Needle threading difficulties:

1. Is the needle threader selector at the appropriate setting? ("C-1" for left needle, "C-2" for center needle, "C-3" for right needle.)
2. Is the machine engaged in the serging position?
3. Is the needle threading lever down completely?
4. Is the needle bent or worn?
5. Is the needle inserted correctly?

Looper Threading Difficulties:

1. Is the thread end in the threading port correctly?
2. Is at least 1 inch (2.5cm) of the thread end in the threading port?
3. Is there at least 22 inches (55cm) of loose thread beyond the thread guide above the threading port?
4. Is there a kink or twist in the 22 inches (55cm) of thread to restrict the flow into the threading port?
5. Is the thread caught to prevent going through the chain looper?

Replacing Needles



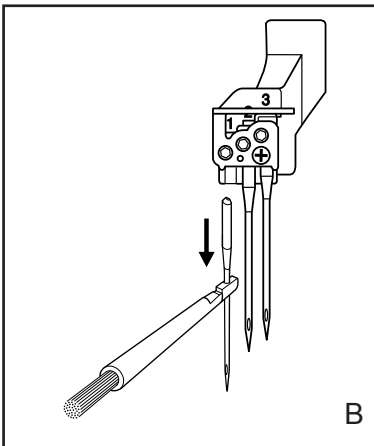
Needle Identification (fig. A)-

The chain/cover stitch needles are identified by C-1,C-2 and C-3 on the front of the needle clamp (fig. A).

C-1-Left chain/cover stitch needle can be used for chain stitch, left narrow cover stitch, wide cover stitch or triple cover stitch.

C-2-Center chain/cover stitch needle can be used for a chain stitch, left narrow cover stitch, right narrow cover stitch or triple cover stitch.

C-3-Right chain/cover stitch needle can be used for a chain stitch, right narrow cover stitch, wide cover stitch, or triple cover stitch.



To Replace a Needle -

1. Raise the needle to the highest position by turning the handwheel toward you.
2. Using the allen screwdriver, loosen the needle screw for the needle to be changed. Screws are located by sequence as indicated above.

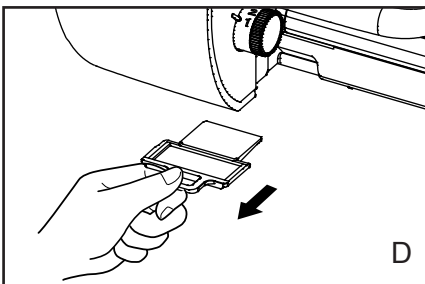
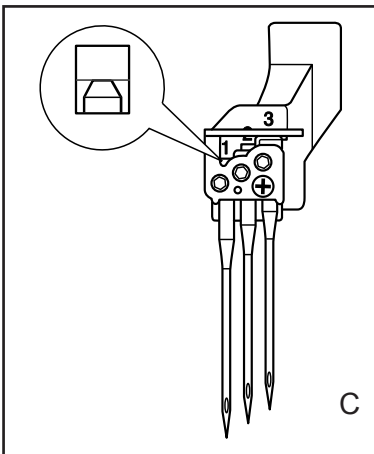
Note: To prevent the needle from falling into the needle plate, hold it with the needle insert tool as you loosen the screw (fig. B).

3. Use the needle insert tool or tweezers to insert the new needle with the flat side to the back. Insert needle as far as it will go, check the needle viewing window (fig. C).

Note: Do not tighten needle clamp screw(s) without needle being inserted within the slot.

Note: If you do drop a needle down into the machine, just pull out the needle-drop drawer at the bottom of your machine.

The needle will be on the drawer (fig. D).



Replacing LED Lighting

Your Baby Lock Euphoria is equipped with a long-life LED lighting system. It is not necessary to change bulbs.

If LED unit requires replacement, please contact your authorized Baby Lock retailer.

Cleaning

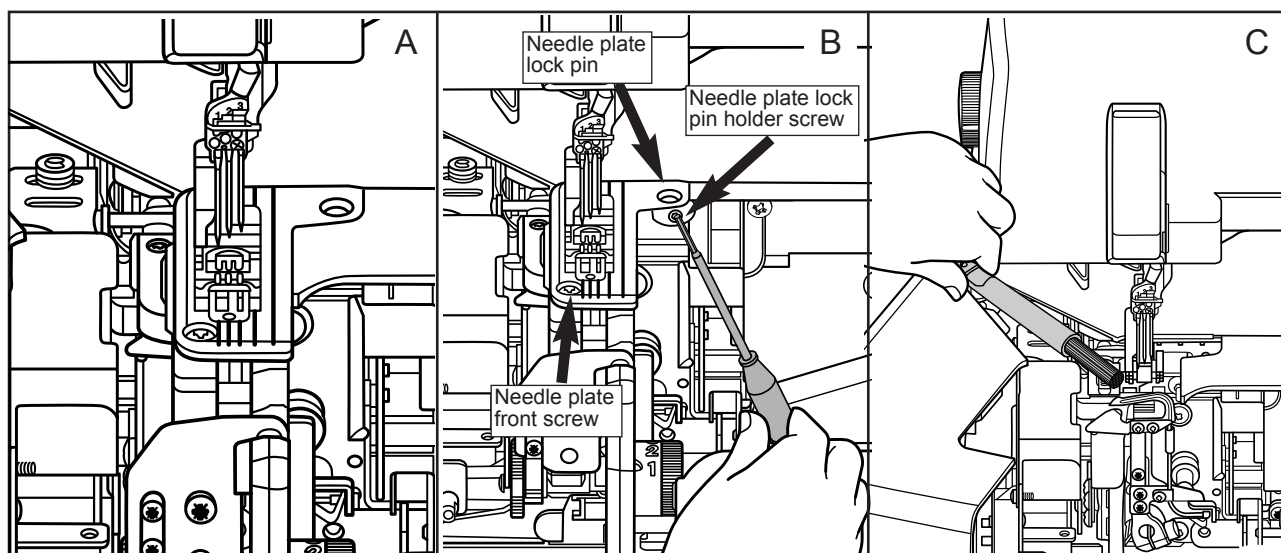
Your Baby Lock Euphoria will operate at best performance if it is kept clean at all times.

Your Baby Lock's major moving parts are well protected and do not need to be oiled. However, we recommend using the cleaning brush often during garment construction in order to keep lint off the needle bar, the feed dog mechanism and looper. For periodic interior cleaning, lubrication, and adjustments, contact your Baby Lock retailer.

TO REMOVE NEEDLE PLATE PROCEED AS FOLLOW:

1. For safety reasons, unplug main power cord.
2. Raise and remove presser foot.
3. Remove needles from needle clamp.
4. For easy access to the needle plate lock pin set screw, raise needle clamp to its highest position and open the front cover and front table (fig. A).
5. Place allen screwdriver (1.5mm) into allen screw and loosen needle plate pin holder screw. See fig. B for location of screw.
6. Remove needle plate lock pin (fig. B) and remove needle plate front screw.
7. Open left side cover of machine and remove needle plate.
8. Clean machine (fig. C).
9. Place needle plate onto machine and insert needle plate lock pin.
10. Tighten allen screw of the needle plate lock pin and check to be sure that top of needle plate lock pin is flush with needle plate.
11. Place needle plate front screw and tighten screw.

Note: For better stitch performance, make sure needles C-1, C-2, and C-3 do not touch either side of needle plate hole.



Technical Data

Looper Threading System:	"Electronic ExtraordinAir Threading System"	
Tension Dial:	Dial for Chain/Cover Stitch Looper Thread	
Stitch Length Dial:	1.0-4.0mm	
Differential Feed:	Gathering effect: N ~ 2.0 Stretching effect: N ~ 0.6	
Presser Foot:	Snap On Foot	
Presser Foot Height:	6mm from Needle Plate	
Looper:	Chain Looper	
Needle System:	Organ ELx705CF #80/12 and #90/14	
Number of Needles:	3 - C-1,C-2,C-3	
Sewing Speed:	Up to 1,500 s.p.m.	
Handwheel:	Rotate handwheel toward you; counterclockwise	
Stitch Types:	Chain Stitch - Left (C-1), Center (C-2), Right (C-3) Cover Stitch - Narrow Left - Narrow Right - Wide - Triple	
Stitch Width: Cover Stitch:	- Triple Cover Stitch	: 6.0mm
	- Cover Stitch - Wide	: 6.0mm
	- Cover Stitch - Narrow	: 3.0mm
Light Bulb:	3 LED Lights	
Machine Weight:	11.6 kgs / 25.6 lbs.	

