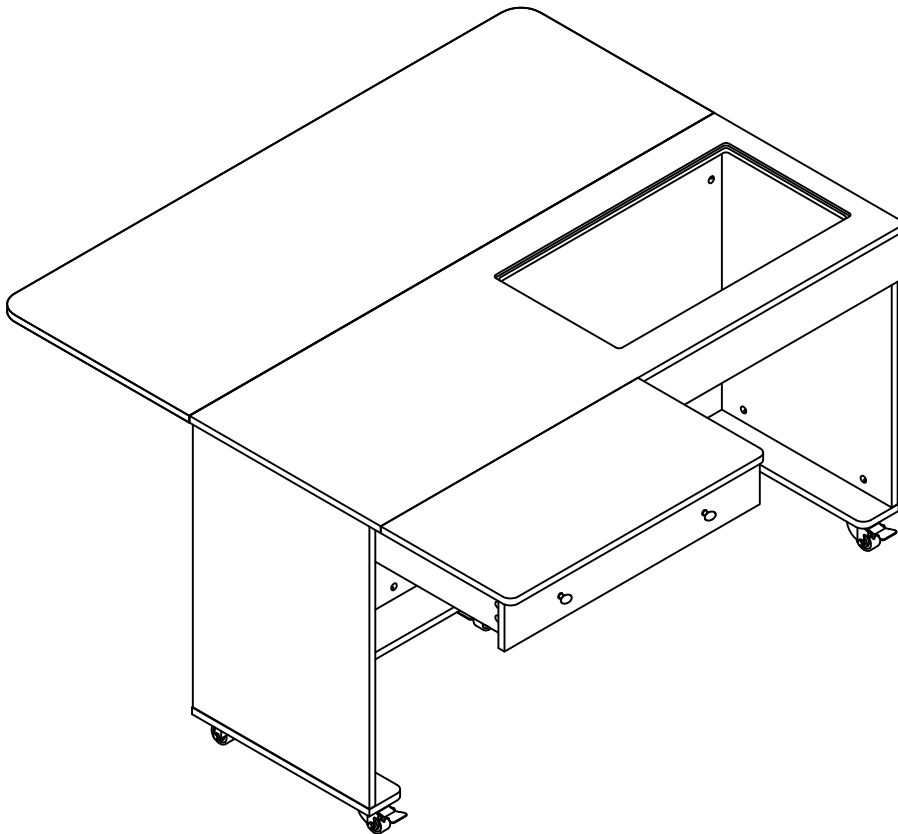


ASSEMBLY INSTRUCTIONS

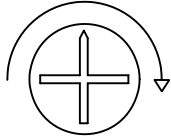
Kangaroo II

ITEM No.:K8805 Teak

K8811 White



Assembly video can be found on our website at www.arrowcabinets.com in the Video Section.
Questions? Call 1-800-533-7347 press 1 or Email: cs@arrowcabinets.com

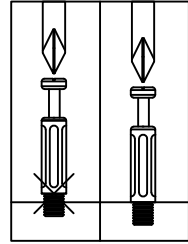


Turn clockwise to lock cam with bolt.

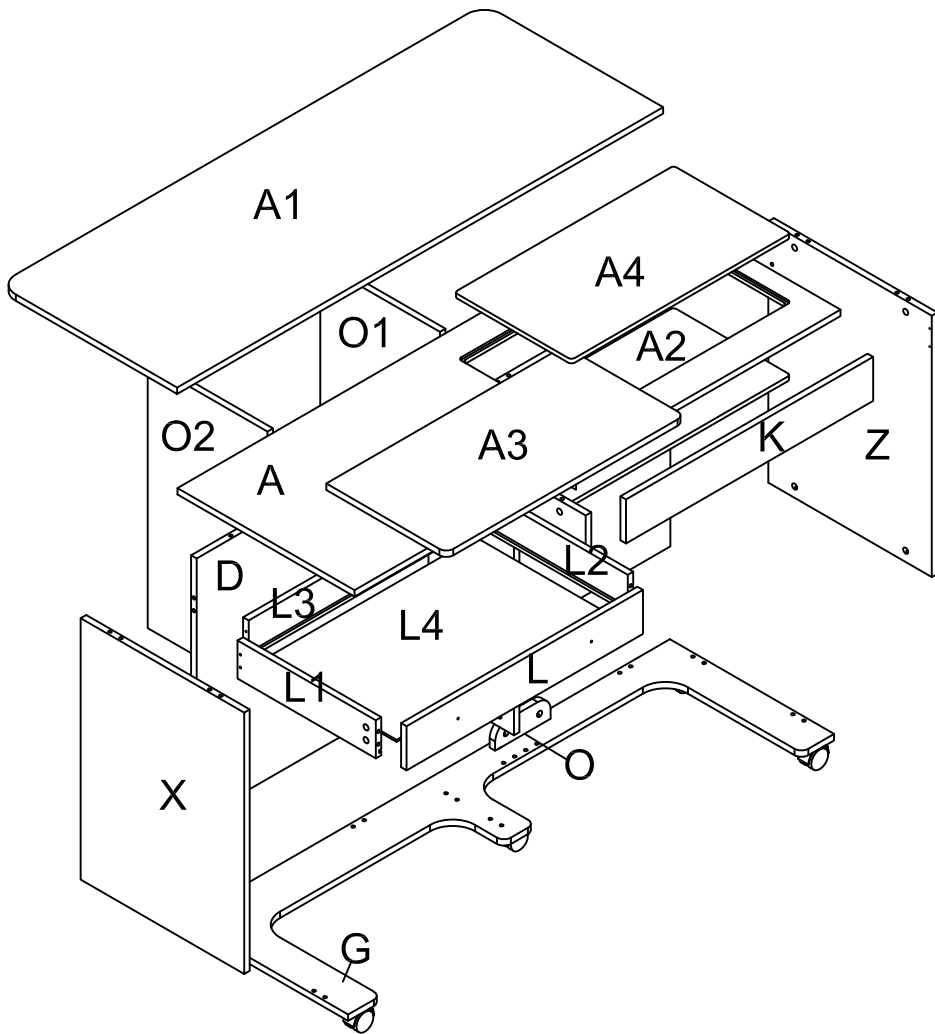


The arrow direction=front

Incorrect Correct



Screw cam bolts all the way in.



PARTS LIST

| ITEM | DESCRIPTION | QTY. | PACK. |
|------|------------------|------|--------|
| A | Top panel | 1 | 1 OF 3 |
| A4 | Top panel | 1 | 1 OF 3 |
| G | Bottom panel | 1 | 1 OF 3 |
| L | Drawer Front | 1 | 1 OF 3 |
| K | Drawer Front | 1 | 1 OF 3 |
| A1 | Top panel | 1 | 2 OF 3 |
| A2 | Top panel | 1 | 2 OF 3 |
| A3 | Top panel | 1 | 2 OF 3 |
| D | Back panel | 1 | 2 OF 3 |
| X | Left side panel | 1 | 3 OF 3 |
| Z | Right side panel | 1 | 3 OF 3 |
| Y | Partition | 1 | 3 OF 3 |
| O | Batten | 1 | 3 OF 3 |
| O1 | Gate Leg | 1 | 3 OF 3 |
| O2 | Gate Leg | 1 | 3 OF 3 |
| L1 | Drawer Side | 1 | 3 OF 3 |
| L2 | Drawer Side | 1 | 3 OF 3 |
| L3 | Drawer Back | 1 | 3 OF 3 |
| L4 | Drawer Bottom | 1 | 3 OF 3 |

PARTS LIST

| ITEM | DESCRIPTION | QTY. | ITEM | DESCRIPTION | QTY. |
|------|------------------|------|------|--------------------|------|
| (c1) | 6*35 Cam Bolt | 30 | (s1) | 3.5*14 Screw | 62 |
| (t2) | Castor | 2 | (h) | Handle | 2 |
| (d1) | 8*30 Dowel pin | 26 | (b1) | 8*16 Fix Bolt | 25 |
| (c2) | (5/8") Cam Cover | 30 | (h2) | Hinge | 8 |
| (t1) | Castor | 5 | (s2) | 3*14 Screw | 12 |
| (a) | Wrench | 1 | (b3) | Ball Catch | 2 |
| (r3) | 14mm Spanner | 1 | (m) | Magnet | 2 |
| (s4) | Alignment Pin | 2 | (p1) | Threaded Dowel Pin | 2 |
| (s3) | 3.5*35 Screw | 4 | (p2) | Threaded Dowel Pin | 2 |
| | | | (b2) | 4*20 Fix Bolt | 2 |



(c1) 6*35 Cam Bolt-30



(d1) 8*30 Dowel Pin-26



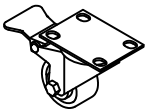
(c2) (5/8") Cam Cover-30



(p1) Threaded Dowel Pin-2



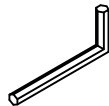
(p2) Threaded Dowel Pin-2



(t2) Castor-5



(b1) 8*16 Fix Bolt-25



(a) Wrench-1



(s1) 3.5*14 Screw-62



(h) Handle-2



(b2) 4*20 Fix Bolt-2



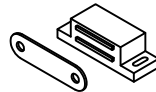
(h2) Hinge-8



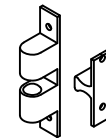
(t1) Castor-2



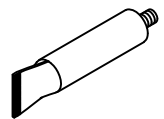
(s2) 3*14 Screw-12



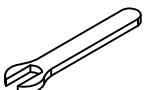
(m) Magnet-2



(b3) Ball Catch-2



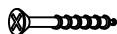
Glue=1



(r3) 14mm Spanner-1



(s4) Alignment Pin-2



(s3) 3.5*35 Screw-4

Pre-installed parts



(c5) Cam



Drawer runners

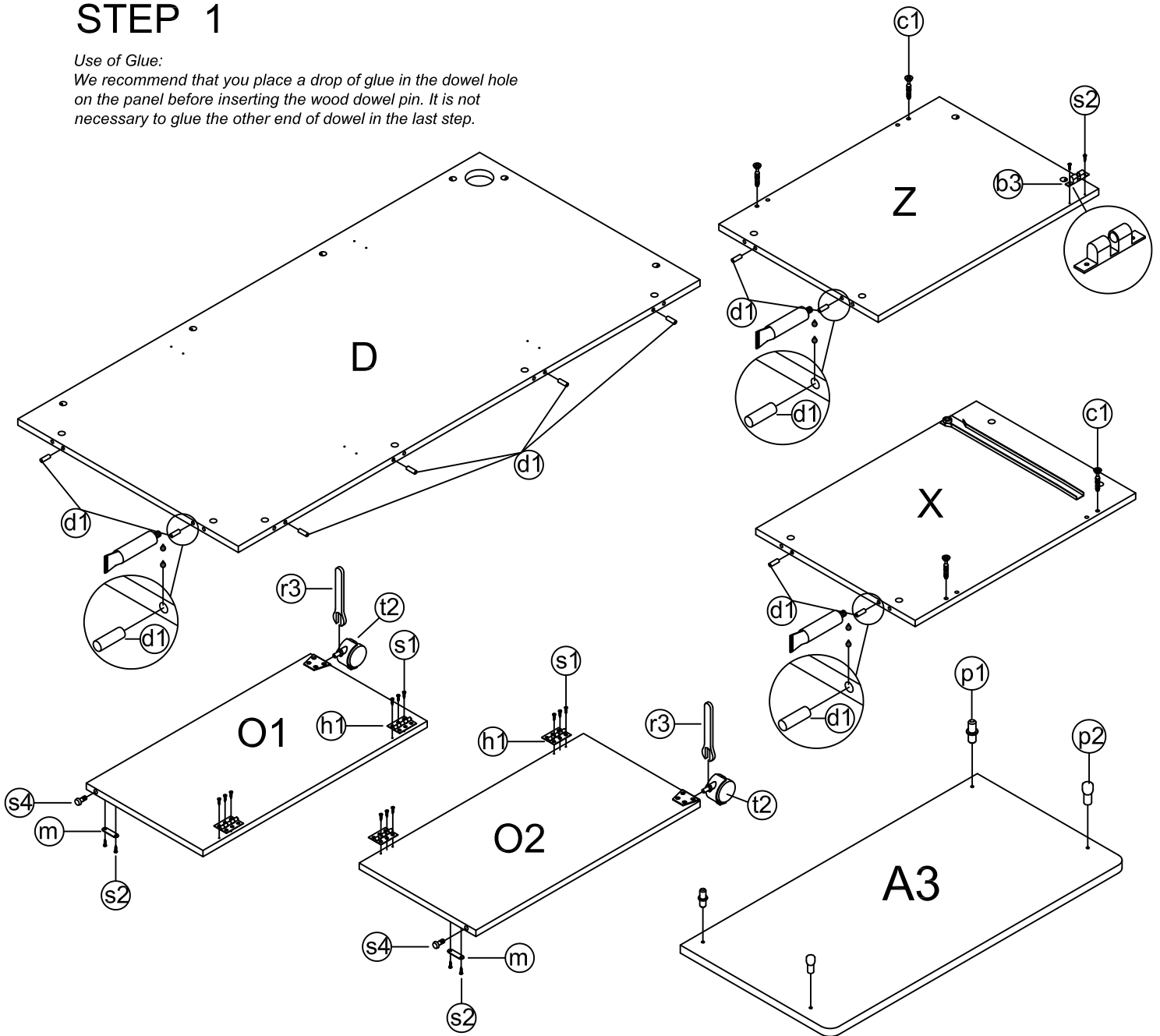


Caster bracket

STEP 1

Use of Glue:

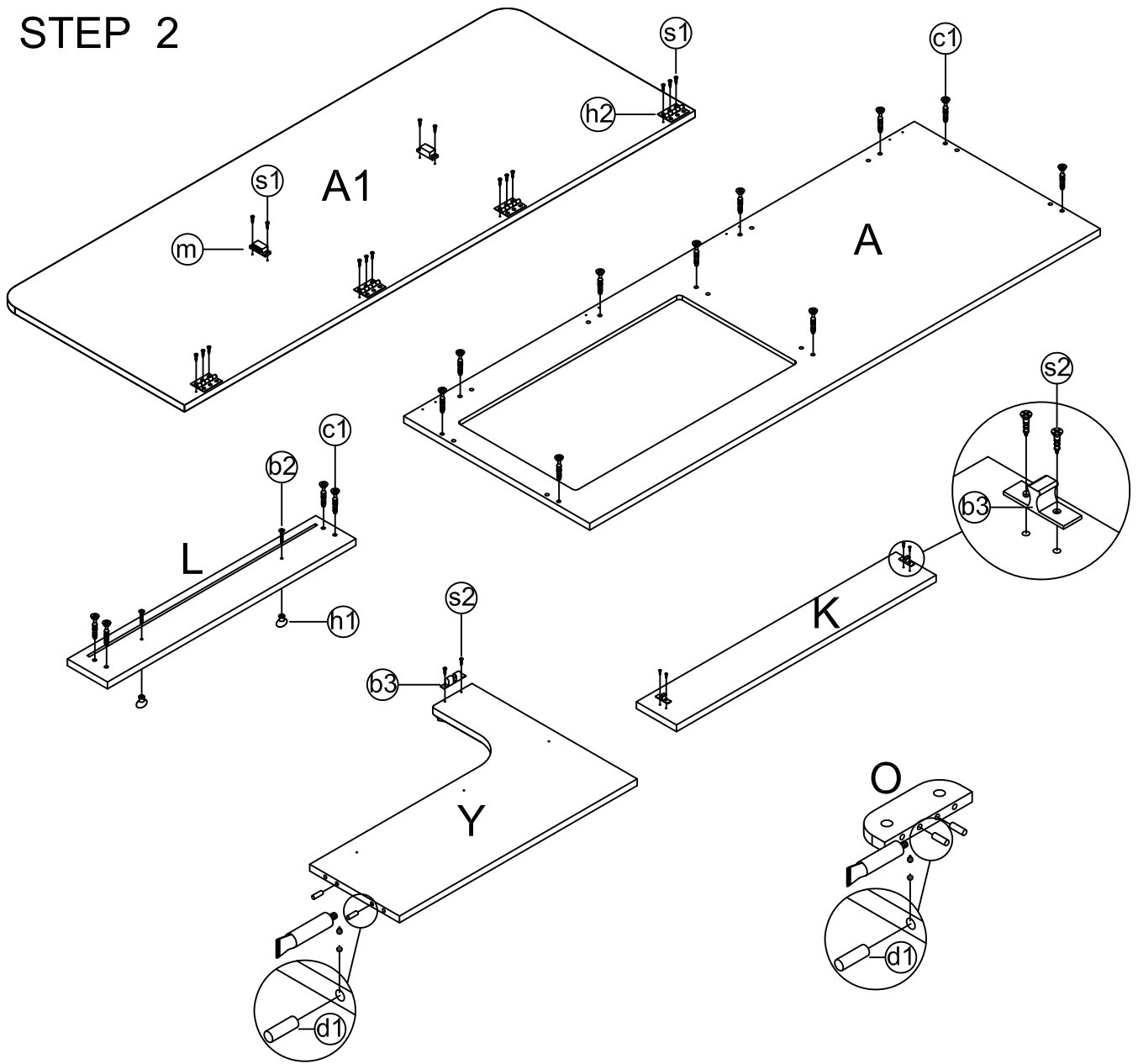
We recommend that you place a drop of glue in the dowel hole on the panel before inserting the wood dowel pin. It is not necessary to glue the other end of dowel in the last step.



Preparation Panel D, Z, X, Z, O1, O2 and A3 assembly.

1. Insert cam bolts (c1) into panels X and Z as illustrated above.
2. Insert dowel pins (d1) to panels X (4 total), Z (4 total) and D (8 total) as illustrated above.
3. Using 2 (s2) screws, attach ball catch (b3) to front edge of panel Z as shown above.
4. Attach Butt Hinges (h1) using screws (s1) to panels O1 and O2, screww castor (t2) into preinstalled brackets on panels O1 and O2.
5. Using 4 (s2) screws, attach the magnet catch plate (m) to the panels O1 and O2.
6. Press alignment pins (s5) into hole on top of panel O1 and O2.
7. Press (p1) metal dowel pin into panel A3 at round corners and (p2) panel support pin into square corners Set A3 aside until cabinet is assembled.

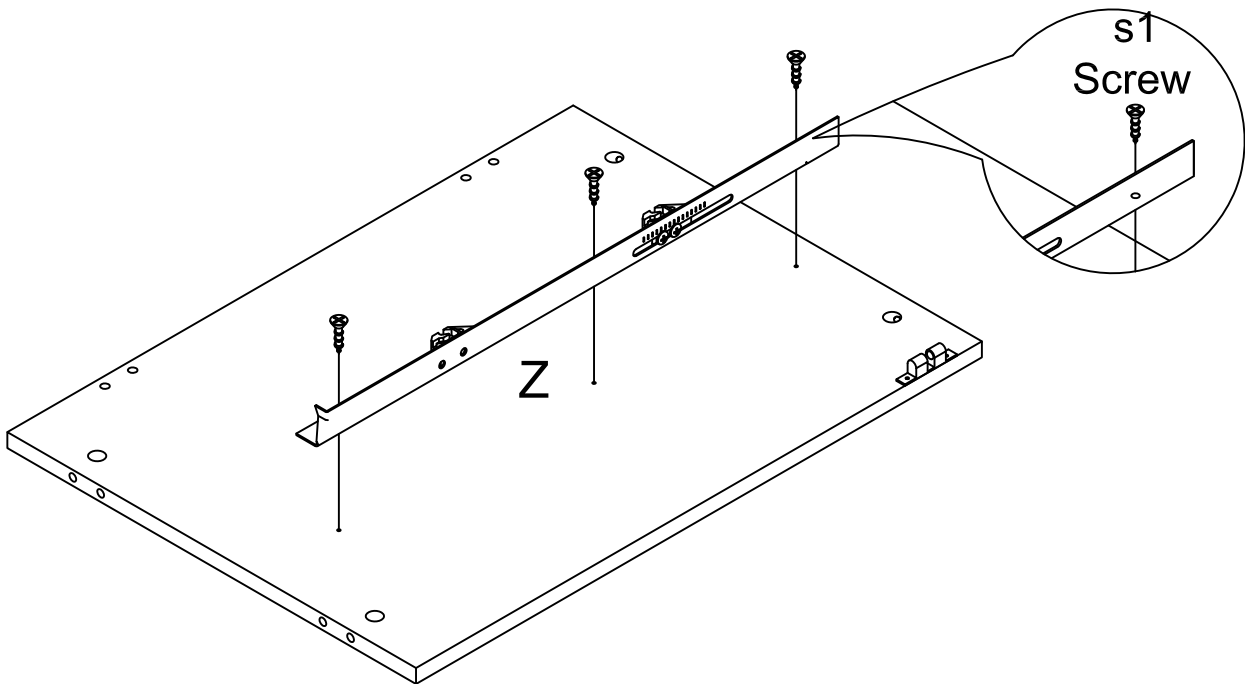
STEP 2



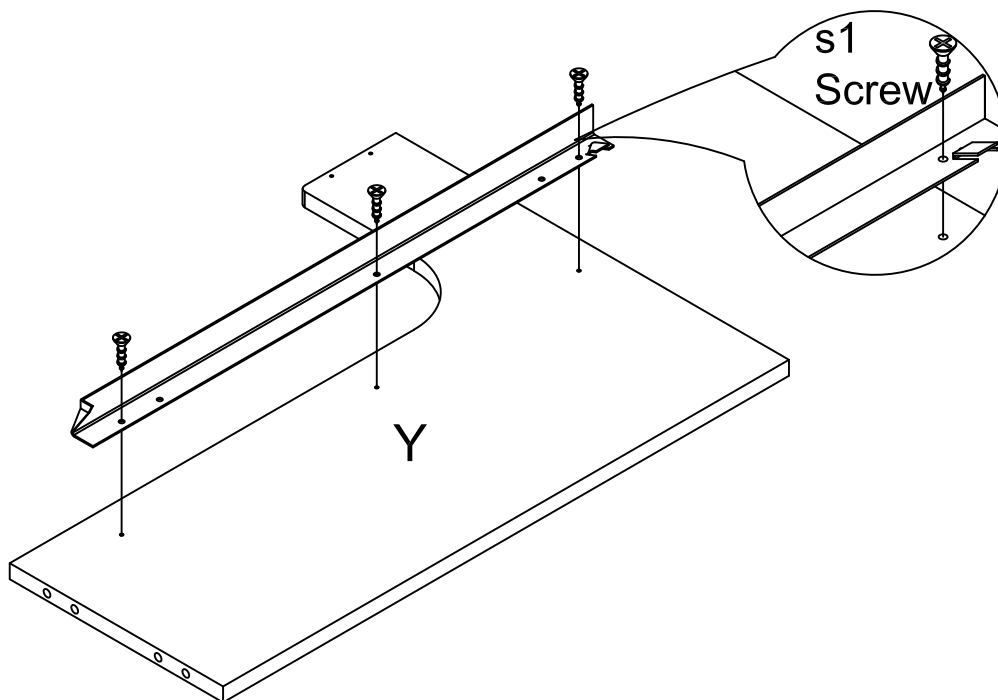
Preparation Panel A, A1, L, K, Y and O assembly.

1. Insert cam bolts (c1) into panels A and L as illustrated above.
2. Insert dowel pins (d1) to panels Y and O using glue as explained on page 4 and illustrated above.
3. Fix Hinge (h2) butt hinges to panel A1 using screws (s1) as shown.
4. Attach (m) magnets to panel A1 using (s1) screws as shown. Magnet faces outer edges.
5. Attach ball catch (b3) to panel Y using screws (s2) as illustrated. Attach other part of the ball catcher (b3) to panel K using screws (s2)
6. Attach (h) handles to drawer front L using handle fix bolts (b2) as shown.

STEP 3

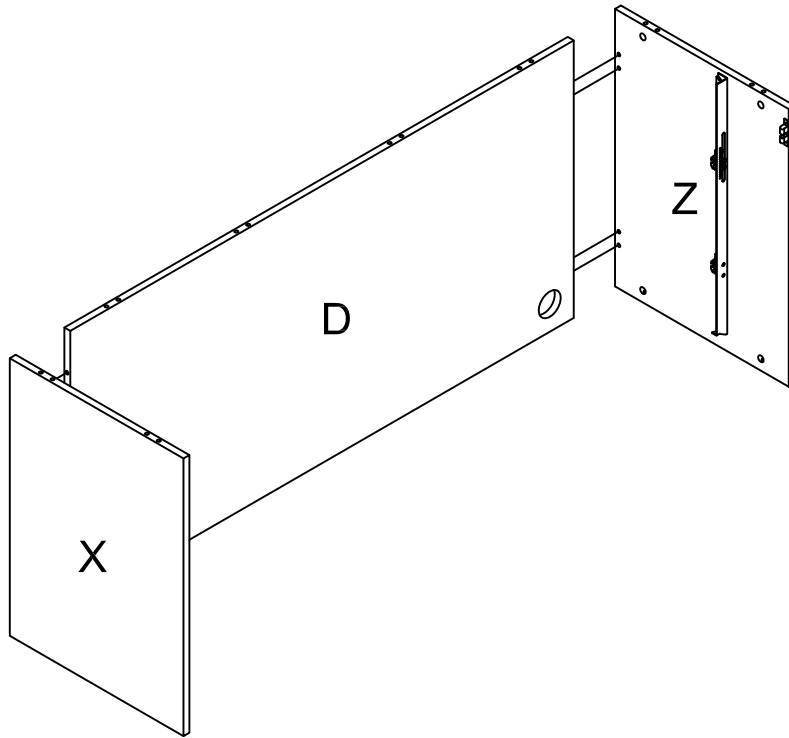


1. Fix Lifter Rail (right) to z panel with (s1) screws following predrilled holes as shown on the illustration above.



1. Fix Lifter Rail (left) to Y panel with (s1) screws following predrilled holes as shown on the illustration above.

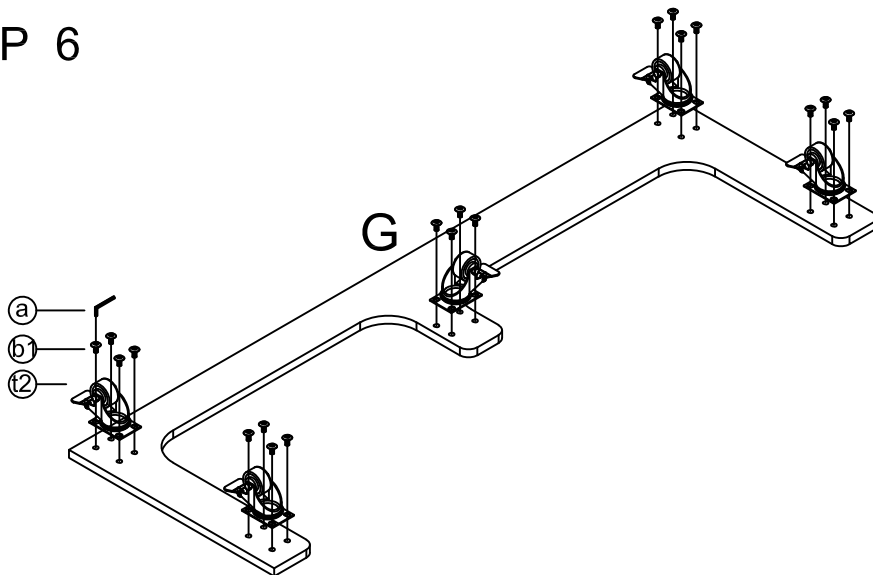
STEP 5



Panel X, D and Z assembly.

1. Insert cam bolts (c1) on panel X and Z into cams on panels D and tighten in a clockwise direction as illustrated above. (Cam holes on D panel need to face back)

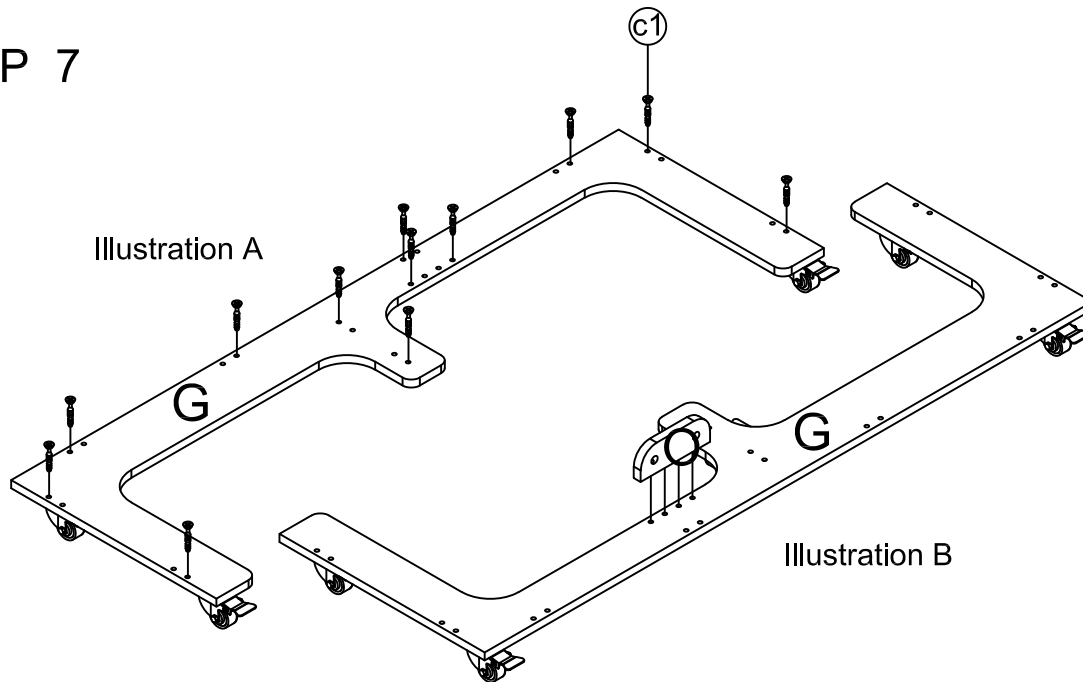
STEP 6



Bottom Panel G assembly (underside)

- Attach plate castors (t2) to underside of G using 8*20 castor fix bolts (b1) and tighten with wrench (a).

STEP 7



Panel G assembly.

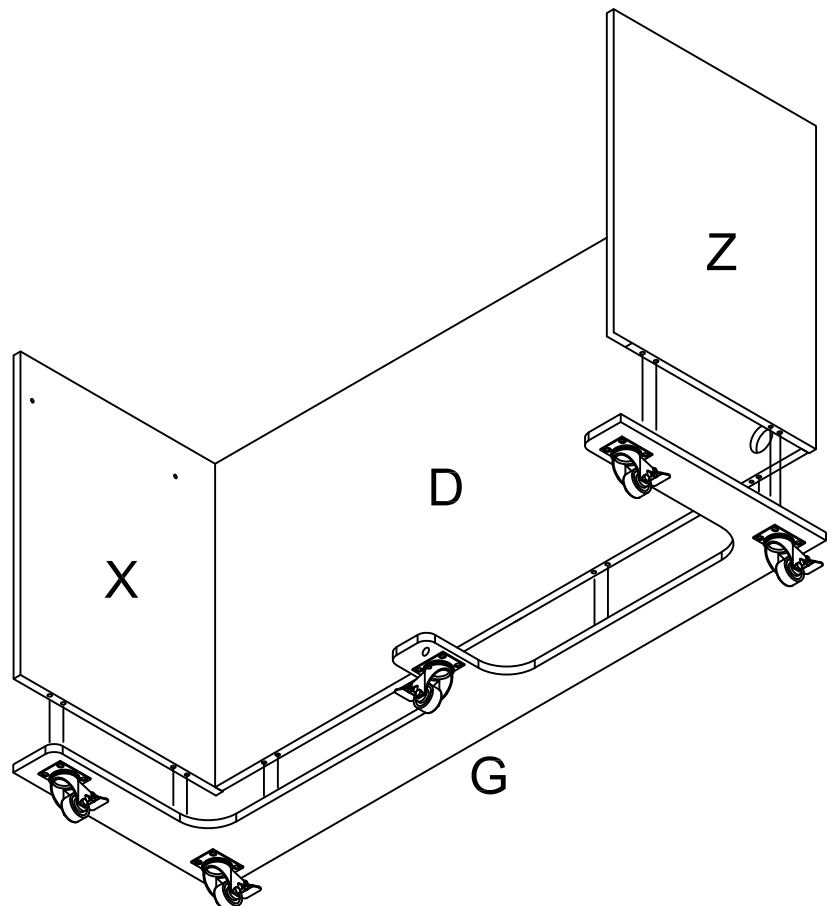
1. Insert 12 (c1) cam bolts into bottom panel as shown above in illustration A.
2. Insert cam bolts (c1) found on panel G into cams on insert holder O and tighten in clockwise direction as shown in illustration B.

STEP 8

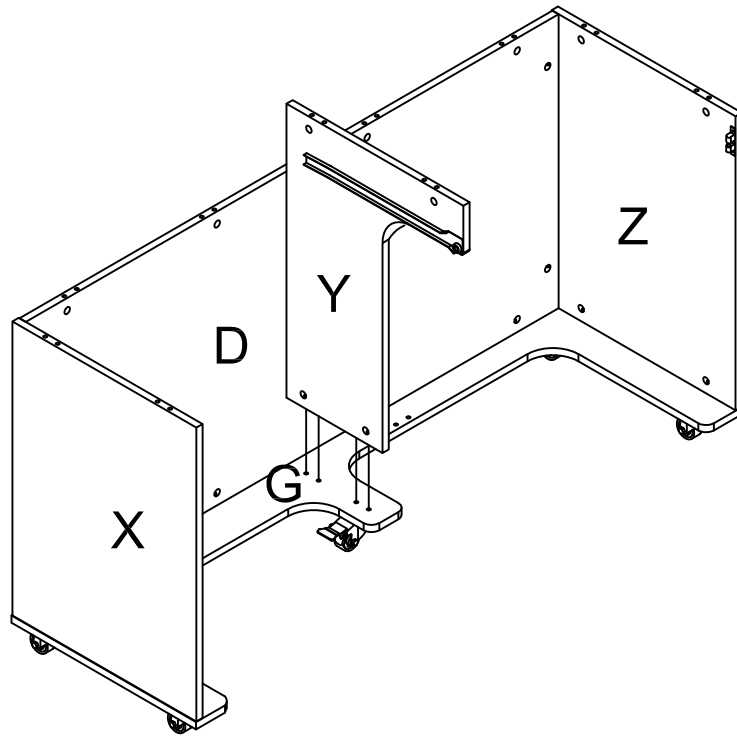
Panel G assembly. Cabinet viewed from below

Two people should lift and lower the X-D-Z onto G

1. Insert cam bolts (c1) on panel G into cams on panels X, Z and D and tighten in a clockwise direction as illustrated above.



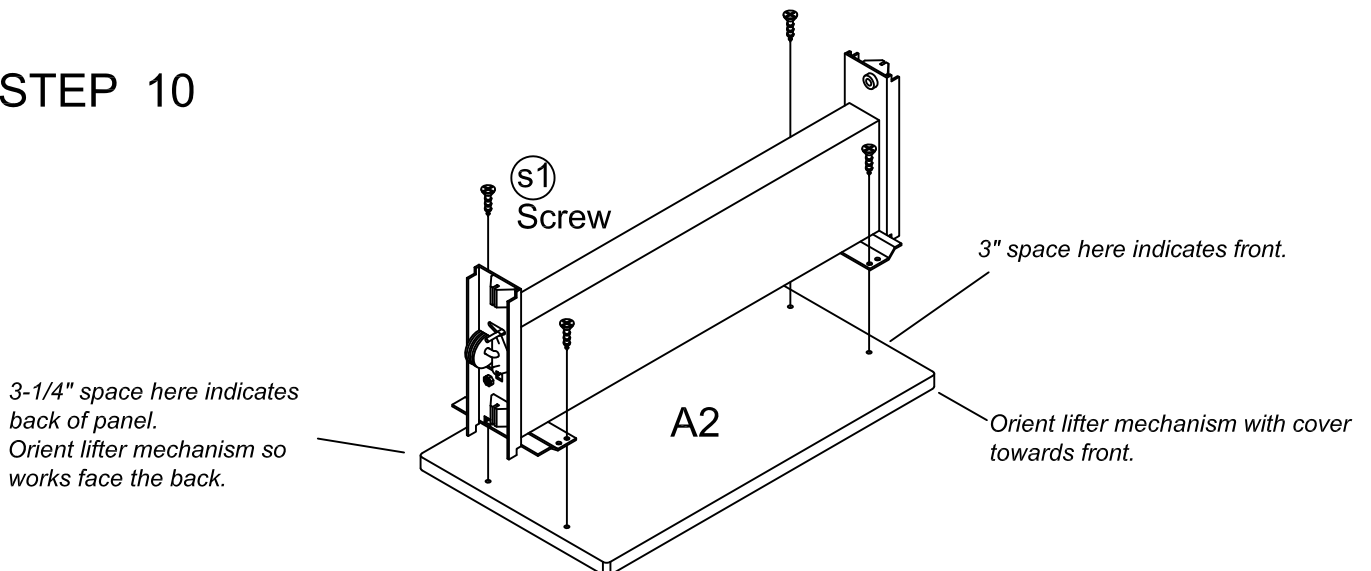
STEP 9



Panel Y assembly.

1. Insert cam bolts (C1) on panel G into cams on panels Y and tighten in a clockwise direction as illustrated above.

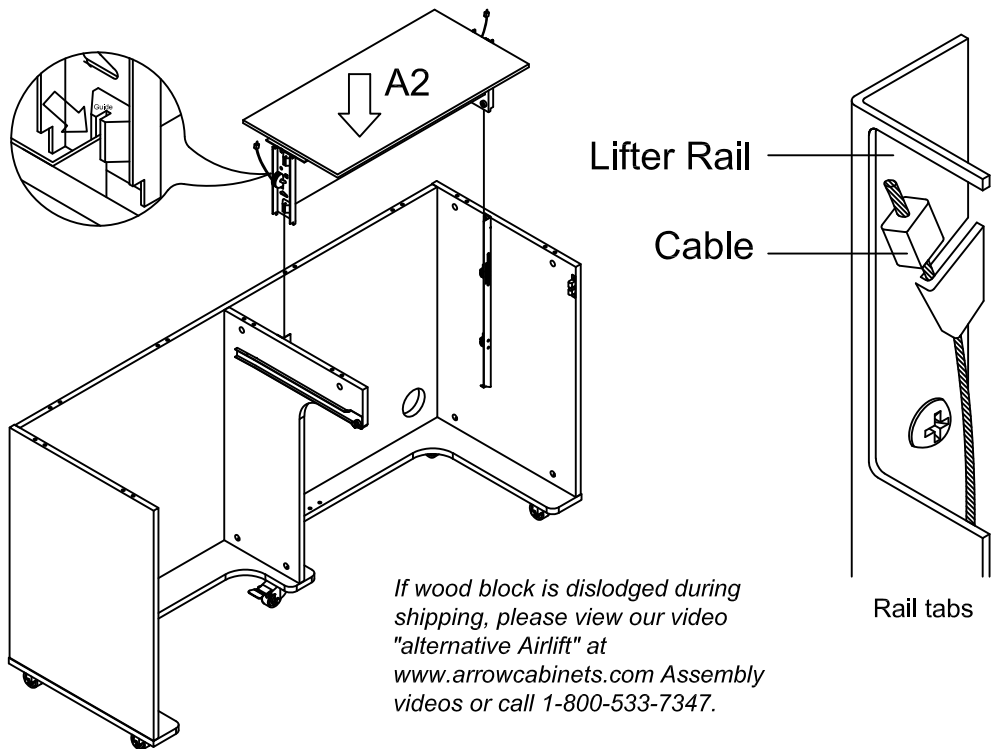
STEP 10



Lifter Panel assembly.

1. Fix Lifter to A2 panel with (S1) screws following predrilled holes as shown on the illustration above.

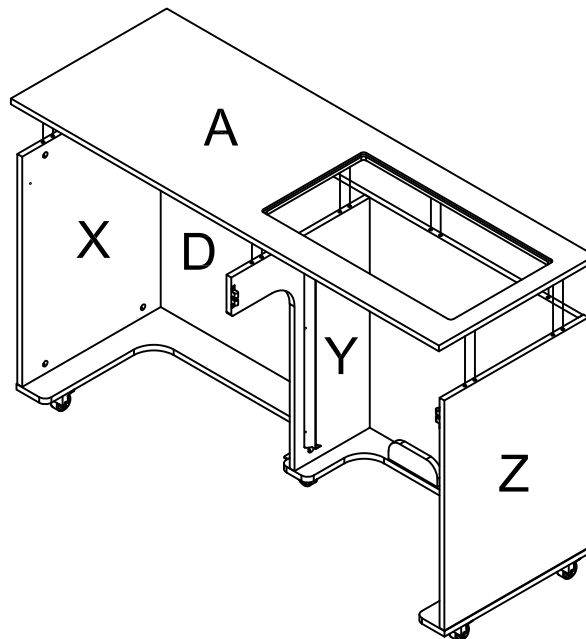
STEP 11



Mounting the Lifter Assembly.

1. Position lifter onto side rails using plastic guides. Make sure to catch end of cable into rail tabs on both sides as shown above.
2. When lifter pushed to first lock position remove a small wooden block that will be released from lifter.

STEP 12

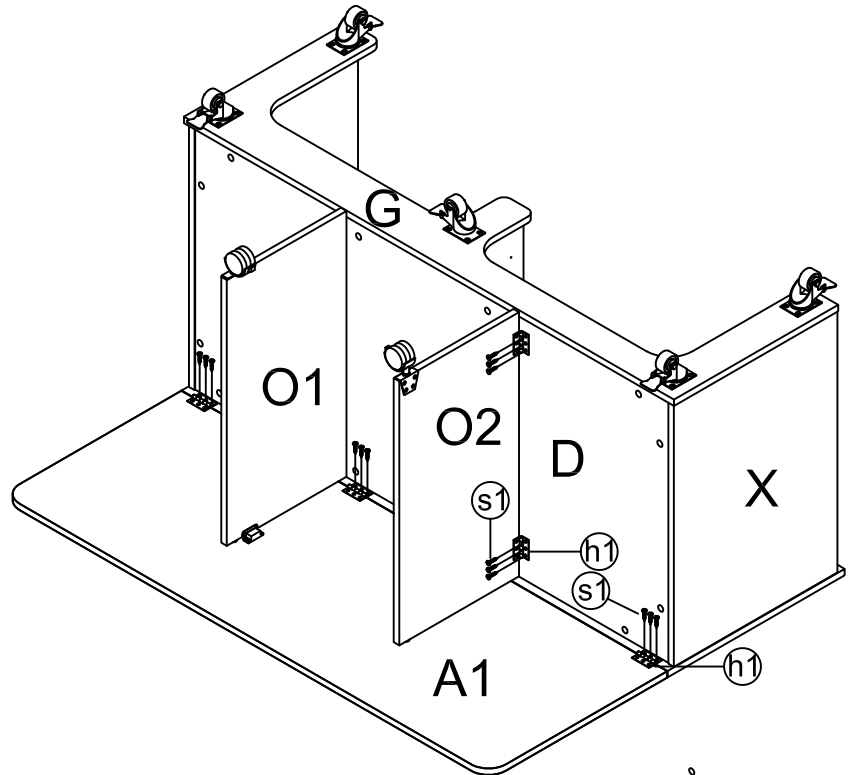


Panel A assembly.

1. Insert cam bolts (C) on panel A into cams on panels X, Z, D, Y1 and Y2 and tighten in a clockwise direction as illustrated above.

STEP 13

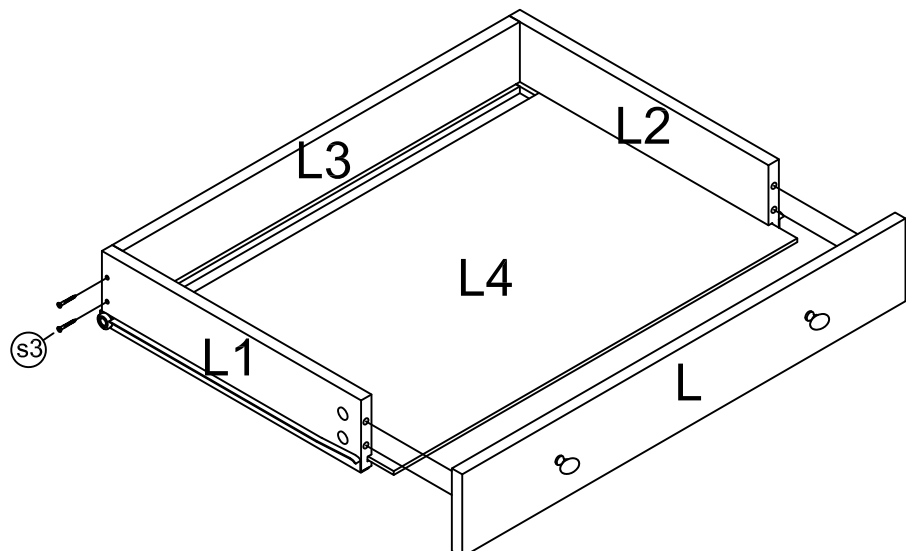
We Recommend that two people do this step.



Panel A1, O1 and O2 assembly.

1. With panel O1 and O2 held against panel D, attach hinges (h1) to D using screws (s1)
2. With panel A1 balanced on gate legs O1 and O2 held in place, install hinges (h1) to top of panel D
Using screws (s1) as illustrated above.

STEP 14



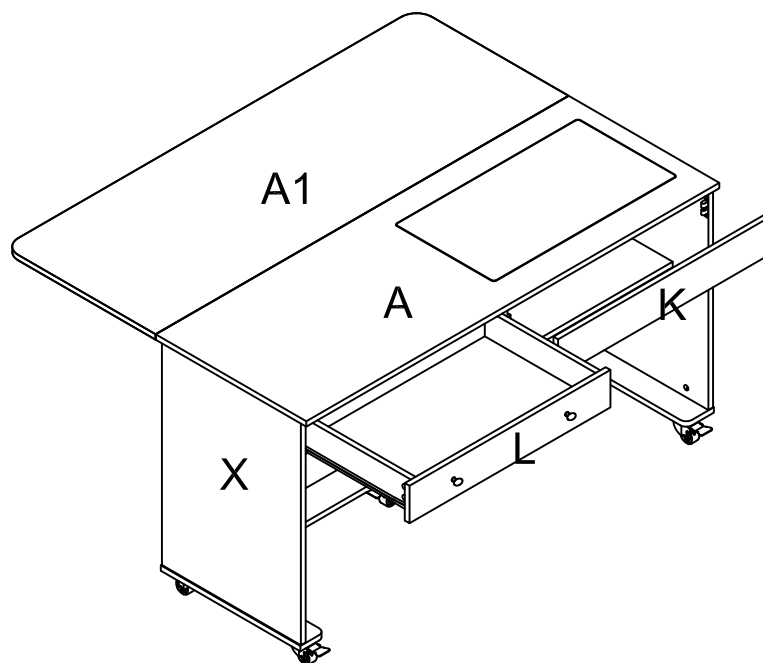
Drawers assembly.

1. Slide bottom L4 into L, L1, L2 and L3 grooves as illustrated.
2. Connect drawer panels L1, L2 and L3 with screws (s3) as illustrated above.
3. Insert cam bolts (c) on panel L into cams on panels L1 and L2 and tighten in a clockwise direction as illustrated above.

STEP 15

Drawer Unit and Front K

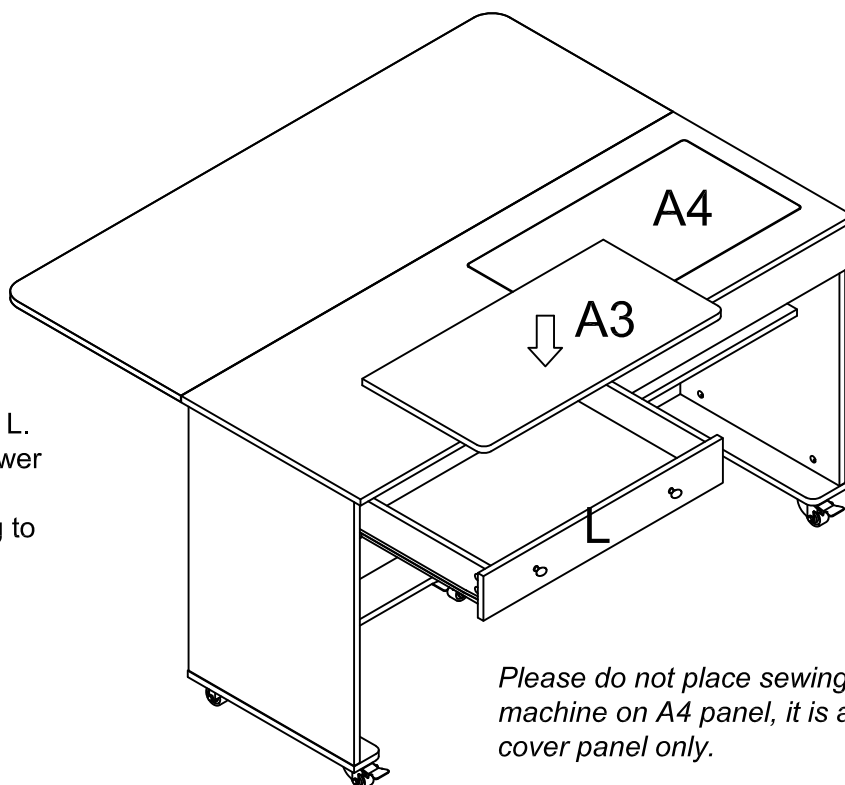
1. Slide assembled drawer unit into cabinet drawer runners.
2. Place panel K in front of lifter lining up the ball catcher prong and receiver, then press together. This panel can be removed as needed for access to sewing machine bobbin or when using a knee lever.



STEP 16

Support Leaf Panel A3 Platform Cover A4

1. Fully extend and lock drawer L. Place A3 panel on top of drawer as shown.
2. A4 panel fits cabinet opening to cover hole.



Please do not place sewing machine on A4 panel, it is a cover panel only.

You have now successfully completed the assembly on item:

ITEM No.:K8805 Teak
K8811 White

