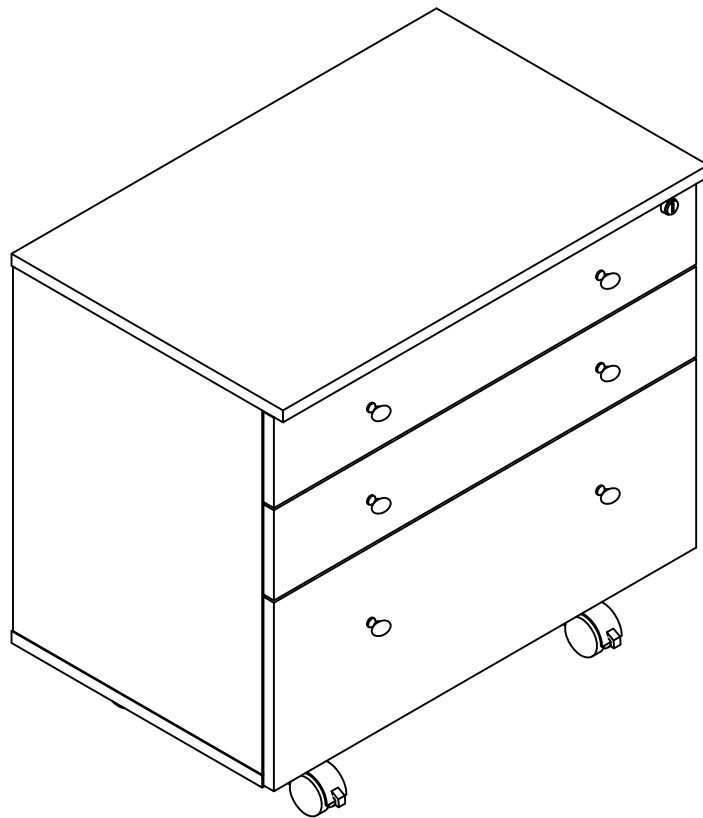


ASSEMBLY INSTRUCTIONS

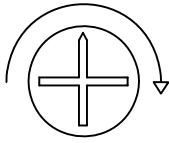
JOEY II

ITEM No.:K7805 Teak

K7811 White



Assembly video can be found on our website at www.arrowcabinets.com in the Video Section.
Questions? Call 1-800-533-7347 press 1 or Email: cs@arrowcabinets.com

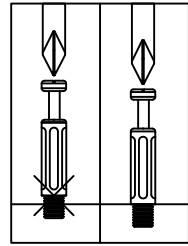


Turn clockwise to lock cam with bolt.

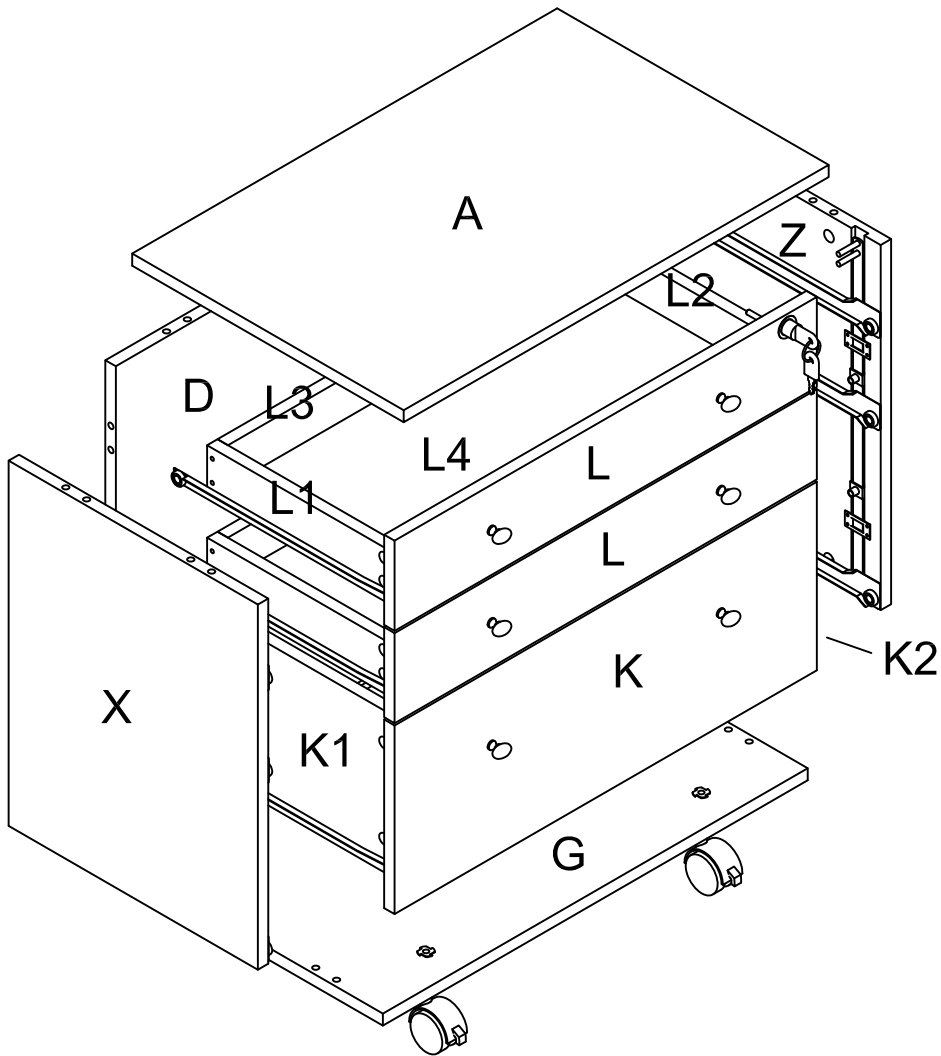


The arrow direction=front

Incorrect Correct



Screw cam bolts all the way in.



PARTS LIST

ITEM	DESCRIPTION	QTY.	PACK.
A	Top panel	1	1 OF 1
G	Bottom panel	1	1 OF 1
D	Back panel	1	1 OF 1
X	Left side panel	1	1 OF 1
Z	Right side panel	1	1 OF 1
L	Drawer Front	2	1 OF 1
L1	Left Drawer Side	2	1 OF 1
L2	Right Drawer Side	2	1 OF 1
L3	Drawer Inside Front	2	1 OF 1
L4	Drawer Back	3	1 OF 1
K	Drawer Front	1	1 OF 1
K1	Left Drawer Side	1	1 OF 1
K2	Right Drawer Side	1	1 OF 1
K3	Drawer Inside Front	1	1 OF 1

PARTS LIST

ITEM	DESCRIPTION	QTY.	ITEM	DESCRIPTION	QTY.
(c1)	6*35 Cam Bolt	28	(s3)	3.5*35 Screw	14
(d1)	8*30 Dowel pin	20	(h1)	Handle	6
(c2)	(5/8") Cam Cover	28	(b2)	Fix Bolt	6
(t3)	Castor	4	(s1)	3.4*14 Screw	2
(r4)	12mm Spanner	1	(b4)	Castor washer	4

If you are missing the plastic washers for use with castors t2, Please call Arrow Customer Service at 1-800-533-7347 ext. 1 and we will send them. Don't install the castors without washers.



(c1) 6*35 Cam Bolt-28



(d1) 8*30 Dowel Pin-20



(c2) (5/8") Cam Cover-28



(t3) Castor-4



(s1) 3.5*14 Screw-2



(s3) 3.5*35 Screw-14



(h1) Handle-6



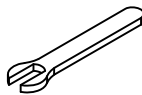
(b2) 4*20 Fix Bolt-6



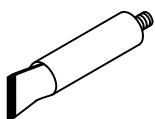
(b4) Castor washer-4



(L) Lock-1



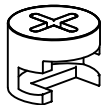
(r4) 12mm Spanner-1



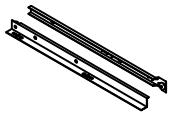
Glue-1

Use of the glue is optional with the wood dowels, if using, put a drop on one end of the dowel before inserting into wooden panel. it is not necessary to glue both ends of dowel.

Pre-installed parts

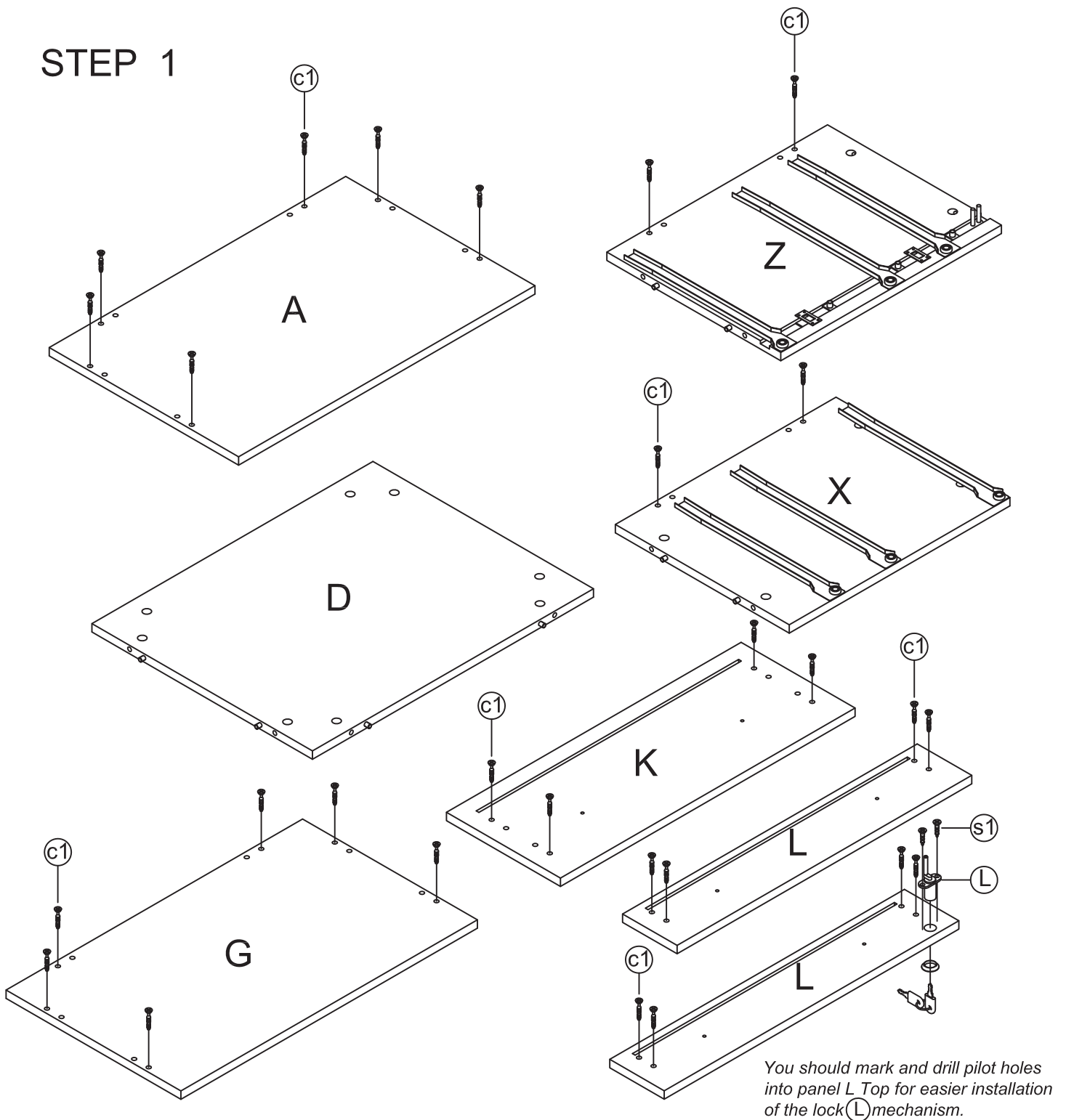


(c5) Cam



Drawer runners 3 Set

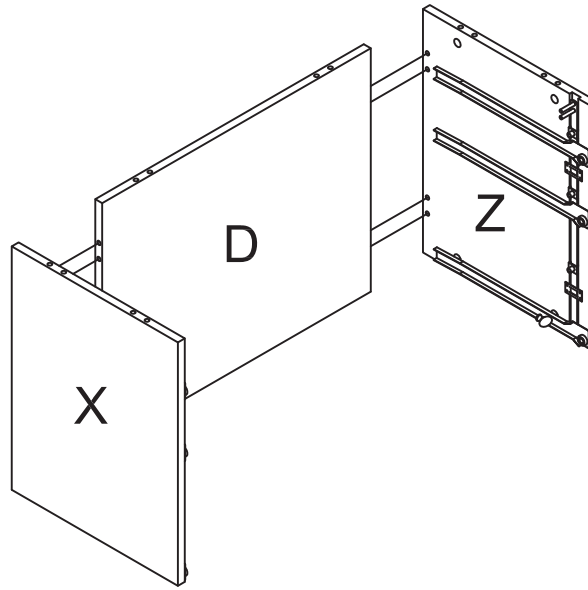
STEP 1



Preparation Panel G, X, Z, A, L(x2), K and D.

1. Insert cams bolts (c1) into panels A, G, L(x2), K, X, and Z as illustrated above.
2. Insert dowel pins (d1) to panels X, Z and D as illustrated above.
3. Fix Lock (L) and plastic Screw (s1) to panels L as illustrated above.

STEP 2

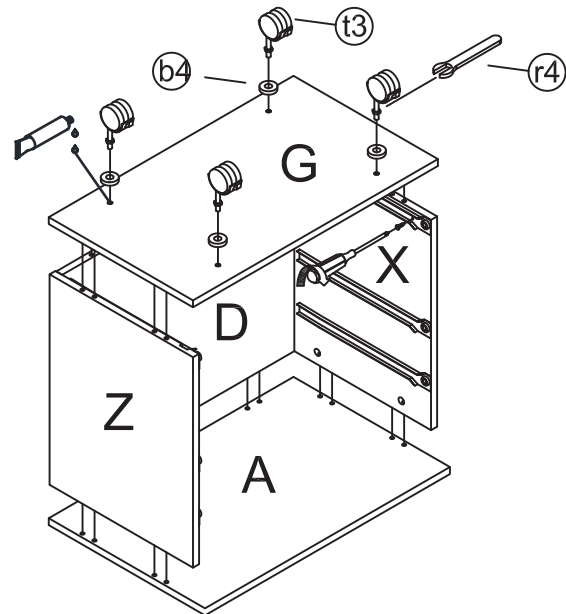


Panel D, X, and Z assembly.

1. Insert cam bolts (c1) on panel X and Z into cams on panels D and tighten in a clockwise direction as illustrated above.

STEP 3

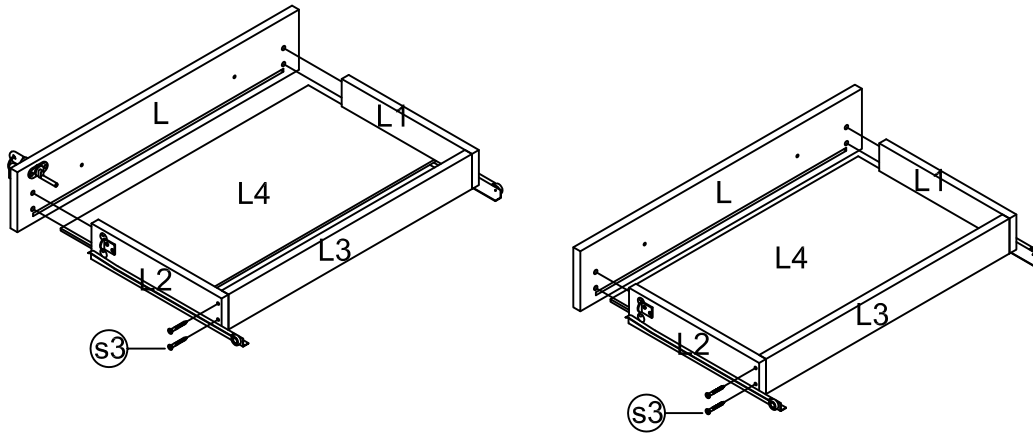
If plastic castors washers are missing, please call 1-800-533-7347 ext 1. and we will send them to you.



Panel A and G assembly.

1. On panels Z and X uninstall the runners next to panel G, to expose the cams as illustrated above. Make sure to mark the runners right and left so you put them back on correct panel.
2. Insert cam bolts (c1) on panel G into cams on panels X, Z and D and tighten in a clockwise direction as illustrated above. Carefully turn cabinet over on each side and reinstall the runner next to panel G. Add top A by inserting cam bolts (c1) on A into cams on panels X, A and D and tighten in clockwise direction.
3. Fix Castor (t3) to panels G as illustrated above.

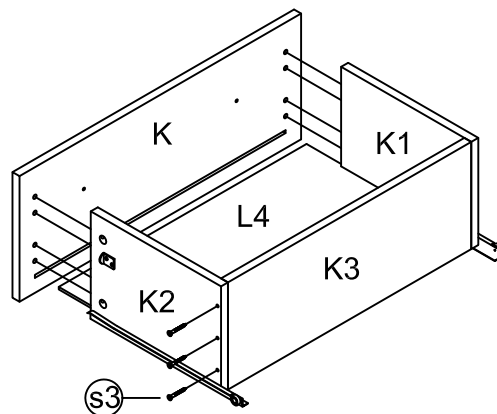
STEP 4



Drawers assembly.

1. Insert cam bolts c1 on L into L1 and L2. tighten in a clockwise direction.
2. Slide bottom L4 into L, L1, L2 And L3 grooves as illustrated.
3. Connect drawer panels L1, L2 and L3 with screws (s3) as illustrated above.

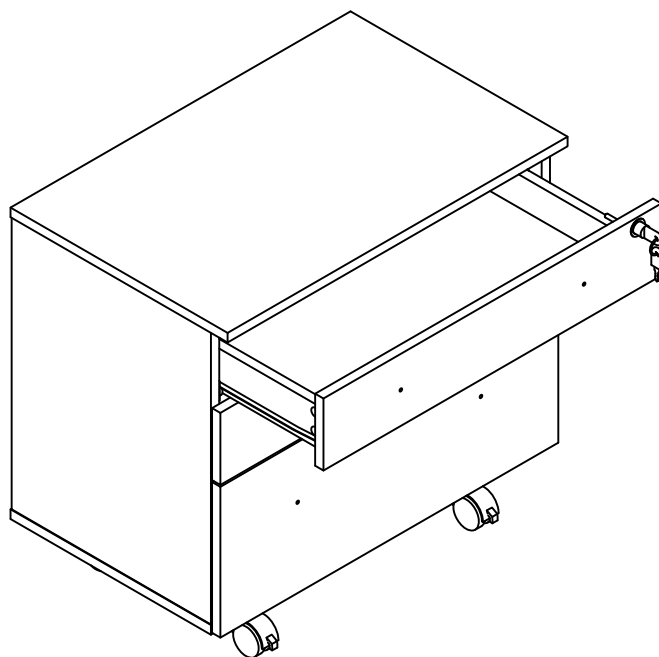
STEP 5



Drawers assembly.

1. Insert cam bolts c1 on K into K1 and K2. tighten in a clockwise direction.
2. Slide bottom L4 into K, K1, K2 And K3 grooves as illustrated.
3. Connect drawer panels K1, K2 and K3 with screws (s3) as illustrated above.

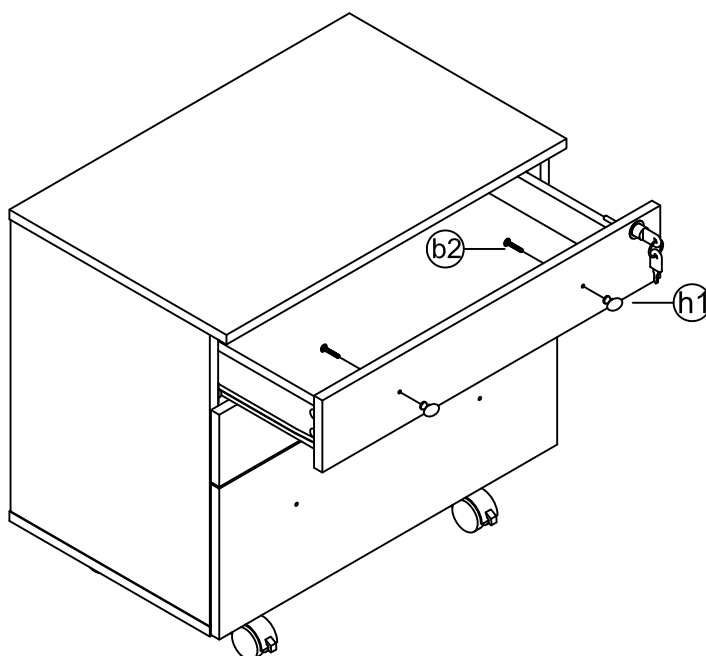
STEP 6



Drawers assembly.

1. Before putting drawers into the cabinet, attach the handles h1 to drawer fronts L and K with fix bolts $\textcircled{b2}$ and tighten with a screwdriver.
2. Slide runner on drawer into runners in cabinet as illustrated above.

STEP 7



1. Fix handles $\textcircled{h1}$ to panels L and K with fix bolts $\textcircled{b2}$ as illustrated above.

You have now successfully completed the assembly on item:

ITEM No: K7805 Teak
K7811 White

