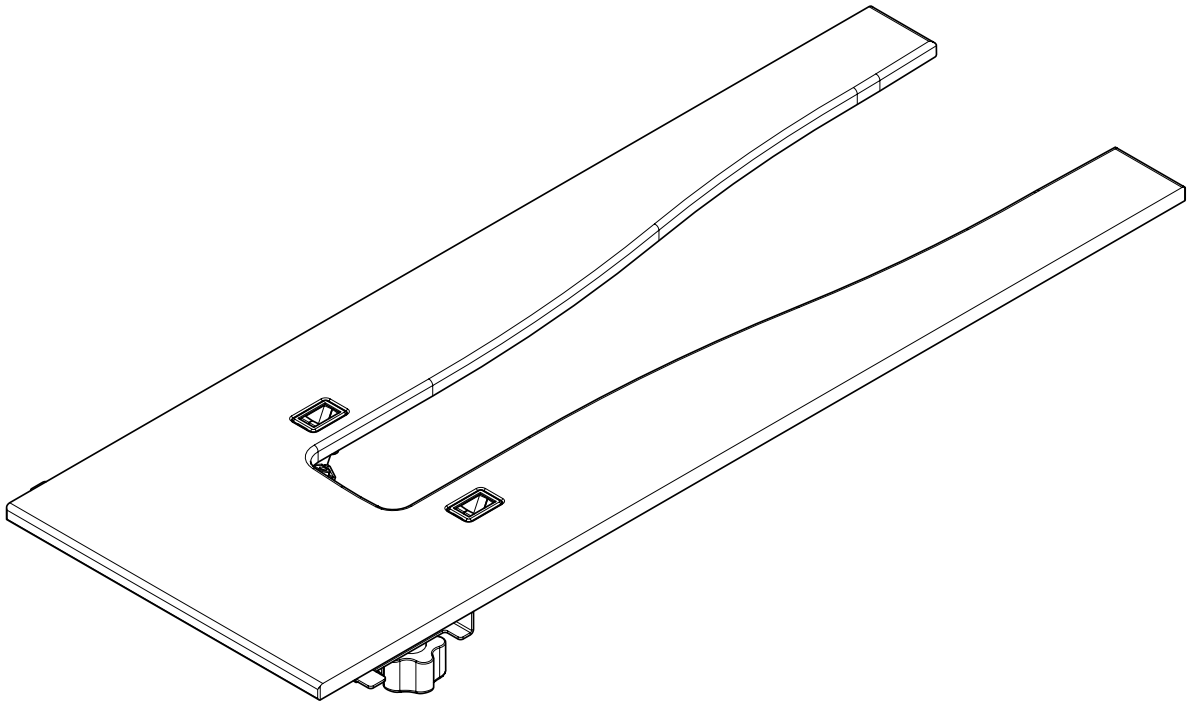


# Stationary Longarm Table Insert Assembly Instructions



## Table of Contents

- 2 What's Included, Replacement Parts and Hardware
- 4 Preparing the Stand Plate
- 5 Installing the Insert Assembly
- 6 Fine Adjustment of the Machine and Insert
- 6 Fine Adjustment of the Stand Plate
- 7 Connections
- 7 Care and Cleaning

## Introduction

This table utilizes an insert that is cut to fit specific machines. The insert and insert instructions are packaged separately from the table. The table has an adjustable stand plate for fine tuning the machine height to match the table top and the insert. The final stand plate adjustment will be made checking the machine height and position to the insert.

## What's Included

### (1) QT09000-01, 18" Insert Assembly

#### Replacement Parts and Hardware

(1) QT09000-100	Table Insert 18
(1) QT09000-104	Insert Guide Plate-Front
(1) QT09000-105	Sensor Board Housing
(2) QT09000-106	Insert Guide Plate-Rear
(2) QT09000-107	Knob w/Threaded Insert
(2) QM10072	Optical Sensor
(1) QM20067	Control Board
(1) QM20077	Cable-USB C OSR
(1) QM20078	Cable FP (foot pedal) Extender OSR
(10) QM00500-14	Screw-M4x6 PHP ZN
(3) QM10161	Screw-M4x8 SKC ZN
(4) QM20802-4-129	Screw-M4x6 SHCS ZN
(2) No Part Number Available	Cable wire tie mount
(2) No Part Number Available	Wire tie

## Assembly

The above parts ship already assembled together as one QT09000-01, 18" Insert Assembly.



Cable-USB C OSR  
(1) QM20077



Cable FP (Foot Pedal) Extender OSR  
(1) QM20078



Cable Wire Tie Mount  
(2) No Part Number Available

NOT SHOWN

Cable Wire Tie  
(2) No Part Number Available

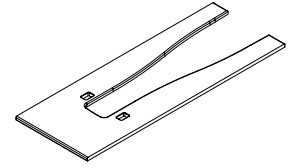
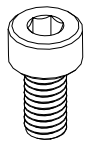
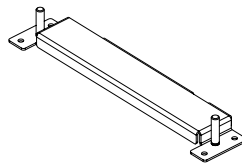


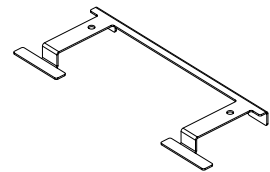
Table Insert 18  
(1) QT09000-100



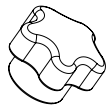
Screw-M4X8 SKC ZN  
(3) QM10161



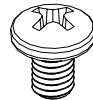
Sensor Board Housing  
(1) QT09000-105



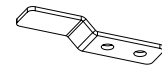
Insert Guide Plate-Front  
(1) QT09000-104



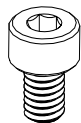
Knob w/Threaded Insert  
(2) QT09000-107



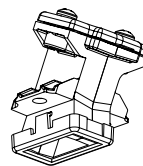
Screw-M4x6 PHP ZN  
(10) QM00500-14



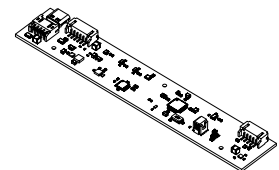
Insert Guide Plate-Rear  
(2) QT09000-106



Screw-M4x6 SHCS ZN  
(4) QM20802-4-129



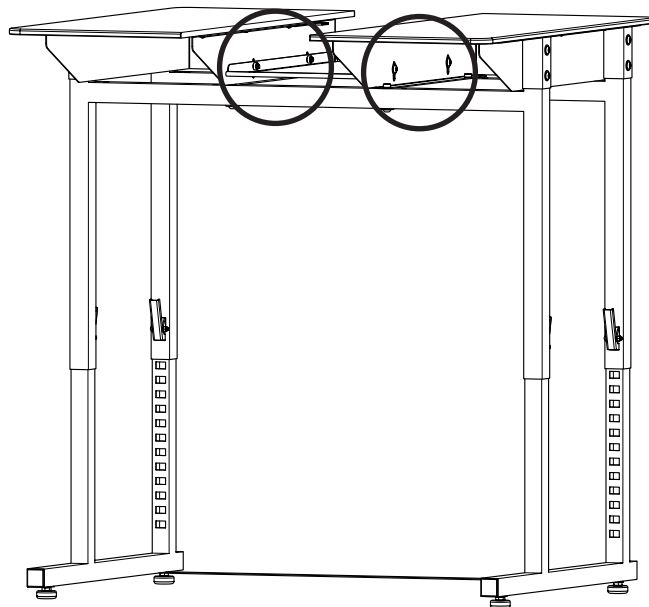
Optical Sensor  
(2) QM10072




Control Board  
(1) QM20067

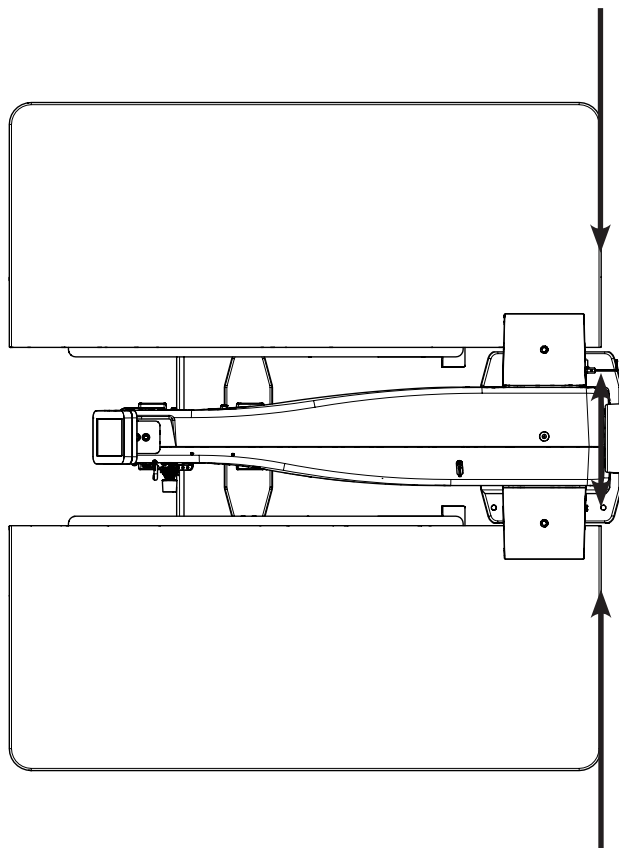
## Preparing the Stand Plate

1. Start by loosening the four screws that are threaded into each corner of the stand plate, raising the stand plate to its highest position and then re-tightening the four screws.




2. Align the machine with the opening.


 **NOTE:** The rear of the machine will have its rubber feet on the stand plate, but the furthest back part of the machine will extend an inch or so beyond the rear table top. Align the front edge of the hand-wheel with the back edge of the table top as a starting position.

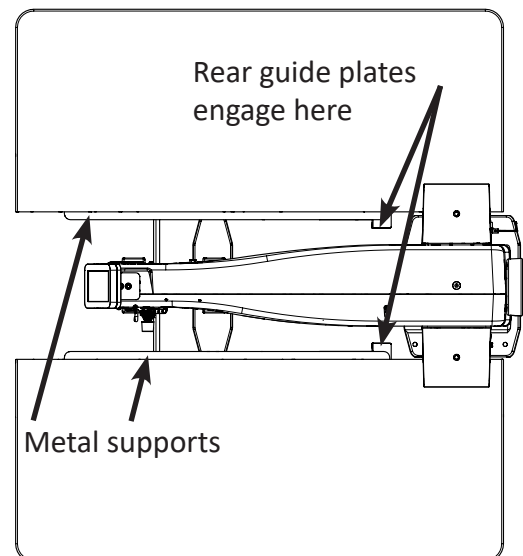
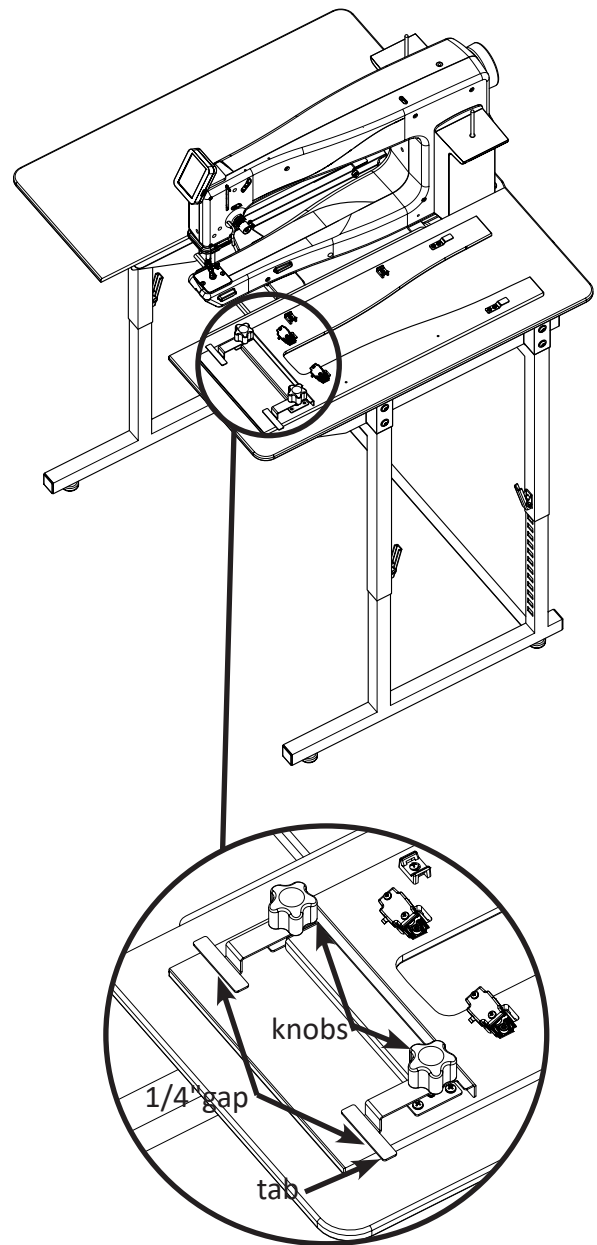


## Installing the Insert Assembly

 **NOTE:** The sensors on the bottom of the insert will be very close to the machine. Care must be taken when positioning the machine front to back, side to side, and up and down, to ensure the sensors do not hit the machine when installing the insert into the table.

1. Place the insert face down on the right side of the table top with the smooth side down and the sensors up towards the ceiling.
2. Loosen the knobs until there is about 1/4" gap between the front guide plate tabs and the insert bottom surface when lifting on the tabs at the front of the insert.
3. Run the foot pedal extender cable with the 9-pin connector towards and out of the back of the table along the right side of the machine. This cable will be under the insert and next to the side of the machine when the insert is installed.
- 4 Run the front sensor USB C OSR cable with the 90° connector to the front to be plugged into the board on the right side of the hook and bobbin case assembly. This cable will also be under the insert when you install the insert.
5. Bring the insert toward you until you can turn it over counter-clockwise to the left.
6. Turn the insert over so the wires are now on the bottom to your right, bring it towards you to the front of the table and then slide it along the insert metal supports on each side of the opening.
7. When you reach the front guide plate you may need to push up on the tabs to allow it to go over the insert metal supports.

 **NOTE:** Ensure that the rear guide plates on the insert engage at the rear as well as the front guide plate at the front.



## Fine Adjustment of Machine and Insert

1. Align the insert with the front edge of the table top.
2. Tighten the two knobs just enough for them to level the insert with the table top on the left and right side.

🔩 **IMPORTANT:** Do not over tighten the knobs.

3. Realign the machine to the insert now the insert is in place. The machine should touch the front edge of the insert. This may require moving the machine forward or backward so the machine meets the insert.

## Fine Adjustment of the Stand Plate

✎ **NOTE:** You may find it much easier to adjust the stand plate by removing the machine each time you adjust the four screws holding the stand plate in place.

1. While holding up on the front of the stand plate, loosen the left and right front screws. Adjust the stand plate until the highest edge of the machine needle plate is just even or slightly below the insert.
2. Tighten the two front stand plate screws firmly.
3. While holding up the back of the stand plate, loosen the back screws, adjust the plate, then tighten the screws firmly.
4. Check that the front and back stand plate screws are firmly tightened and that the height is as desired.

✎ **NOTE:** Check the needle plate area with a straight edge or ruler to confirm the edge does not get caught on the needle plate. If it does, adjust the front of the stand plate accordingly.

✎ **NOTE:** If the stand plate is not adjusted so that all four machine rubber feet touch firmly you may have undesirable machine vibrations at some speeds. Press on each corner of the machine to make sure the feet are touching and that the machine does not rock.

## Connections

1. Plug the 90° USB C OSR cable into the small circuit board located to the right of the hook and bobbin case area.
2. Plug the foot pedal into the 9-pin cable hanging down at the rear of the table. This cable also extends the foot pedal cable.
3. The cables have extra length as a service loop to allow the insert to be moved when cleaning and servicing the machine. The excess front cable length should be tucked up inside the table onto the stand plate. Excess rear cable length should be at the rear of the table so it can be used as a foot pedal extender cable.



## Care and Cleaning

- **IMPORTANT:** Care should be taken not to scratch the top surface of the sensors. They should not be cleaned with any cleaner, especially a liquid cleaner that might get into it or its circuitry. Treat them as an expensive pair of glasses and clean them only with an appropriate lens cleaning cloth for plastic lenses or glasses.

1. Keep the two lenses clean from dust and finger prints using a lens cleaning cloth for plastic eye glasses.
2. Take care not to pinch or pull on cables when connecting, assembling or moving the machine.

