

*Kinetic*<sup>TM</sup>

Quilt Frame  
Assembly Instructions

Model BLKF



**FOR THE LOVE OF SEWING**

[www.BabyLock.com](http://www.BabyLock.com)

# Baby Lock Kinetic Frame

## Table of Contents

### Page

- 3. Parts & Hardware List
- 6. Step 1- Remove Track Supports
- 7. Step 2- Table Assembly
- 8. Step 3- End Leg Assembly
- 11. Step 4- Middle Leg Assembly
- 13. Step 5- Rotate the Frame
- 14. Step 6- Support Rail Assembly
- 15. Step 7- Track Assembly
- 18. Step 8- Ratchet Stop Assembly
- 20. Step 9- Pole Bracket Assembly
- 21. Step 10- Pole Coupler Assembly
- 22. Step 11- Pole End Assembly
- 25. Step 12- Batting Bar Bracket Assembly
- 26. Step 13- Pole to Frame Assembly
- 26. Step 14- Rubber End Cap Assembly
- 27. Step 15- Bungee Clamp Assembly
- 27. Step 16- Hook & Loop Tape on Pole Assemblies
- 28. Step 17- Attach Leaders
- 28. Step 18- Adjusting Frame Height and Leveling

## What's Included

Your Baby Lock Kinetic Frame is delivered in three separate boxes. Upon opening, please check immediately to see if you have received the items listed in the Parts and Hardware lists found on pages 3, 4 and 5.

### Box 1:

- (2) Two table top frame assemblies, each with (1) QF05300-301 table frame
- (1) QF05300-302 table top
- (2) QF05300-02 track supports
- (6) QF09318-303 track support screws

### Box2:

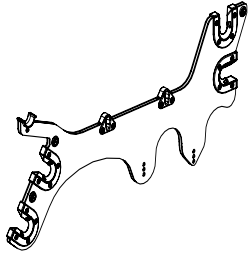
Includes frame support, brackets and all other parts and hardware

- (1) Baby Lock Kinetic Frame Assembly Instructions
- (3) Hook and loop tapes to attach leaders to poles  
(Baby Lock Leaders (Part # BLQL) are sold separately.)

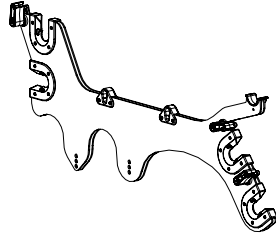
### Box 3:

- (10) QF05300-701 poles
- (5) QF09318-702 pole couplers
- (2) QF05300-150 Support Rails

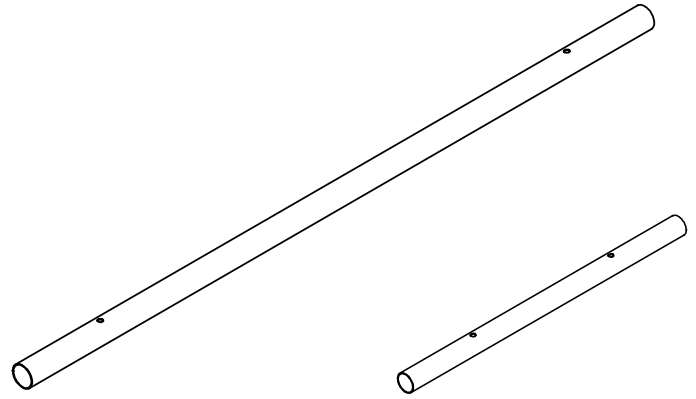
# Baby Lock Kinetic Frame Parts & Hardware List



**Left Pole Bracket Assembly (1)**  
QF05314-100  
Box 2

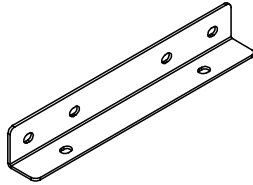


**Right Pole Bracket Assembly (1)**  
(Comes with latches not assembled)  
QF05314-200  
Box 2

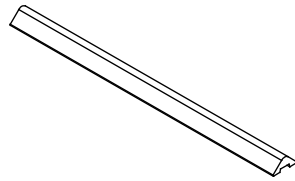


**Pole Section, 5-foot (10)**  
QF05300-701  
Box 3

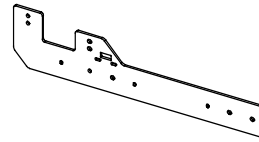
**Pole Coupler (5)**  
QF09318-702  
Box 3



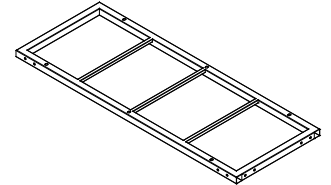
**Table Splice (2)**  
QF05300-05  
Box 2



**Track Support Coupler (2)**  
QF09318-03  
Box 2



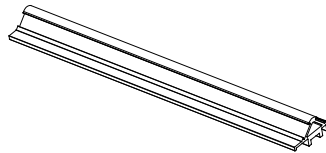
**Support Rail (2)**  
QF05300-150  
Box 3



**Table Section with Plastic Top 5-foot (2)**  
QF05300-300  
Box 1



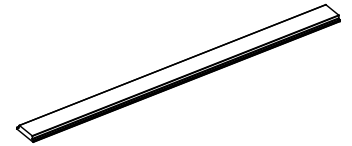
**M6 x 12mm Socketed Washer Head Cap Screw, Track Support Screws (12)**  
(Comes in track supports on table sections)  
QF09318-303  
Box 1



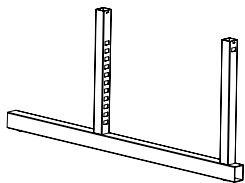
**Track Support, 5-foot (4)**  
(Comes on table sections)  
QF05300-02  
Box 1



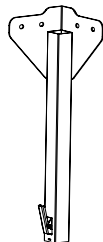
**M5 x 8mm Socketed Button Head Cap Screw: Track Support Coupler Screws (12)**  
QF09318-304  
Box 2



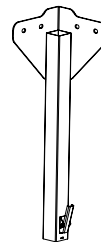
**Track, Black, 10-foot (4)**  
QF05300-04  
Box 2



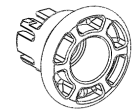
**Lower End Leg (2)**  
QF09318-401  
Box 2



**Upper End Leg A (2)**  
QF05314-402  
Box 2

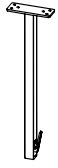


**Upper End Leg B (2)**  
QF05314-403  
Box 2

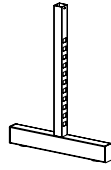


**Pole Keeper (2)**  
QF05300-01  
Box 2

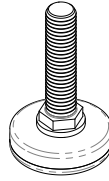
# Baby Lock Kinetic Frame Parts & Hardware List



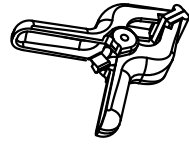
**Upper Middle Leg (1)**  
QF05314-602  
Box 2



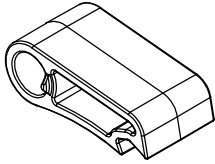
**Lower Middle Leg (1)**  
QF09318-601  
Box 2



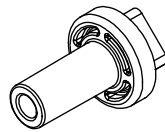
**Leveling Glide (6)**  
QF09318-108  
Box 2



**Bungee Clamps (4)**  
QF09318-110  
Box 2



**Ratchet Stop (3)**  
QF09318-203  
Box 2



**Ratchet Stop Bushing (3)**  
QF09318-201  
Box 2



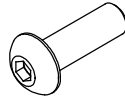
**Ratchet-Stop Holder (3)**  
QF09318-205  
Box 2



**Ratchet Stop Mount (3)**  
QF09318-202  
Box 2



**M6 x 48mm  
Socketed Washer Head  
Cap Screw: Ratchet Stop  
Screw (3)**  
QF09318-204  
Box 2



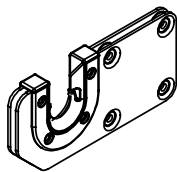
**M8x25mm  
Socketed Button Head Cap  
Screw (For thick metal on  
support rail) (12)**  
QF09318-06  
Box 2



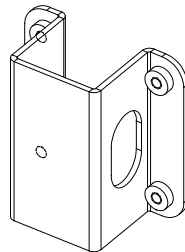
**Metal Washer, M8 (5)  
1 extra**  
QF09318-09  
Box 2



**Nut, M8 Nylon Lock (4)**  
QF09318-08  
Box 2



**Batting Bar Bracket  
Assembly (w/clamp) (2)**  
QF05300-460  
Box 2



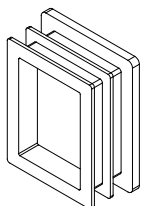
**Batting Bar  
Bracket Clamp (2)**  
QF05300-465  
Box 2



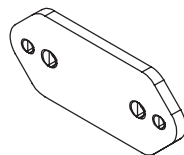
**M6 x 25mm  
Socketed Washer Head  
Cap Screw: Batting Bar  
Bracket Screws (8)**  
QF05300-113  
Box 2



**M8x16mm  
Socketed Button Head Cap  
Screw (25) 2 extra**  
QF09318-07  
Box 2

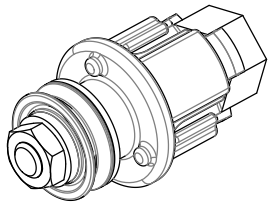


**Leg End Cap Come  
Preinstalled in Legs (6)**  
QF09318-406  
Box 2

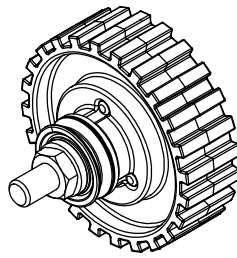


**Shim Kit (6)**  
BLQF-SK (For 5- and 7-foot  
frame configurations)

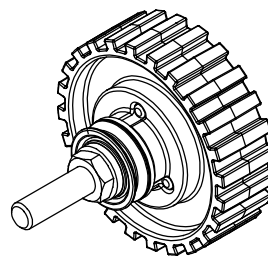
# Baby Lock Kinetic Frame Parts & Hardware List



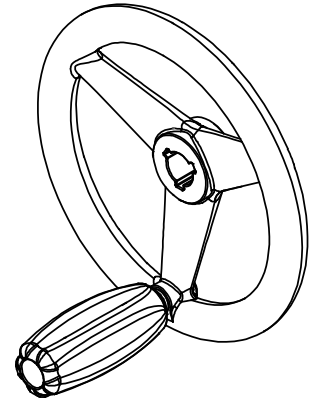
**Pole End Assembly (7)**  
QF09326  
Box 2



**Pole End Assembly with Short Bolt (2)**  
QF09320  
Box 2



**Pole End Assembly with Long Bolt (1)**  
QF09321  
Box 2



**Hand Wheel Assembly (1)**  
QF09325  
Box 2



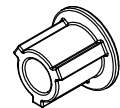
**V-Groove Bearing (10)**  
(Comes on pole end and ratchet assemblies)  
QF09318-705  
Box 2



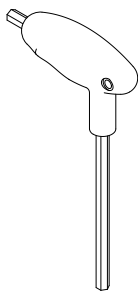
**Rubber Thread Caps (10)**  
QF09318-716  
Box 2



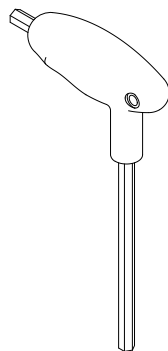
**Regular Nut, M10, Assembly Tool (1)**  
(To aid with pole end assembly, see note in **Step 11-4** page 22)  
QF09318-717  
Box 2



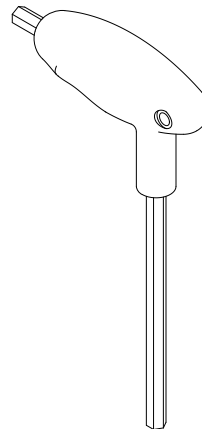
**Hand Wheel Insert (1)**  
(May be inside Hand Wheel)  
QF09318-713  
Box 2



**3mm Allen Wrench (1)**  
QF09318-111  
Box 2



**4mm Allen Wrench (1)**  
QF09318-112  
Box 2



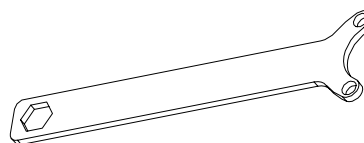
**5mm Allen Wrench (1)**  
QF09318-113  
Box 2



**17/13/16mm Wrench (1)**  
QF09318-114  
Box 2

Not Shown

Not Shown



**Hook & Loop Tape, 10-foot for poles (3)**  
QF00665  
Box 2

**Assembly Instructions (1)**  
BLKFAI  
Box 2

**Pole End /10mm Wrench**  
QF09318-12  
Box 2

# Step 1

## Remove Track Supports

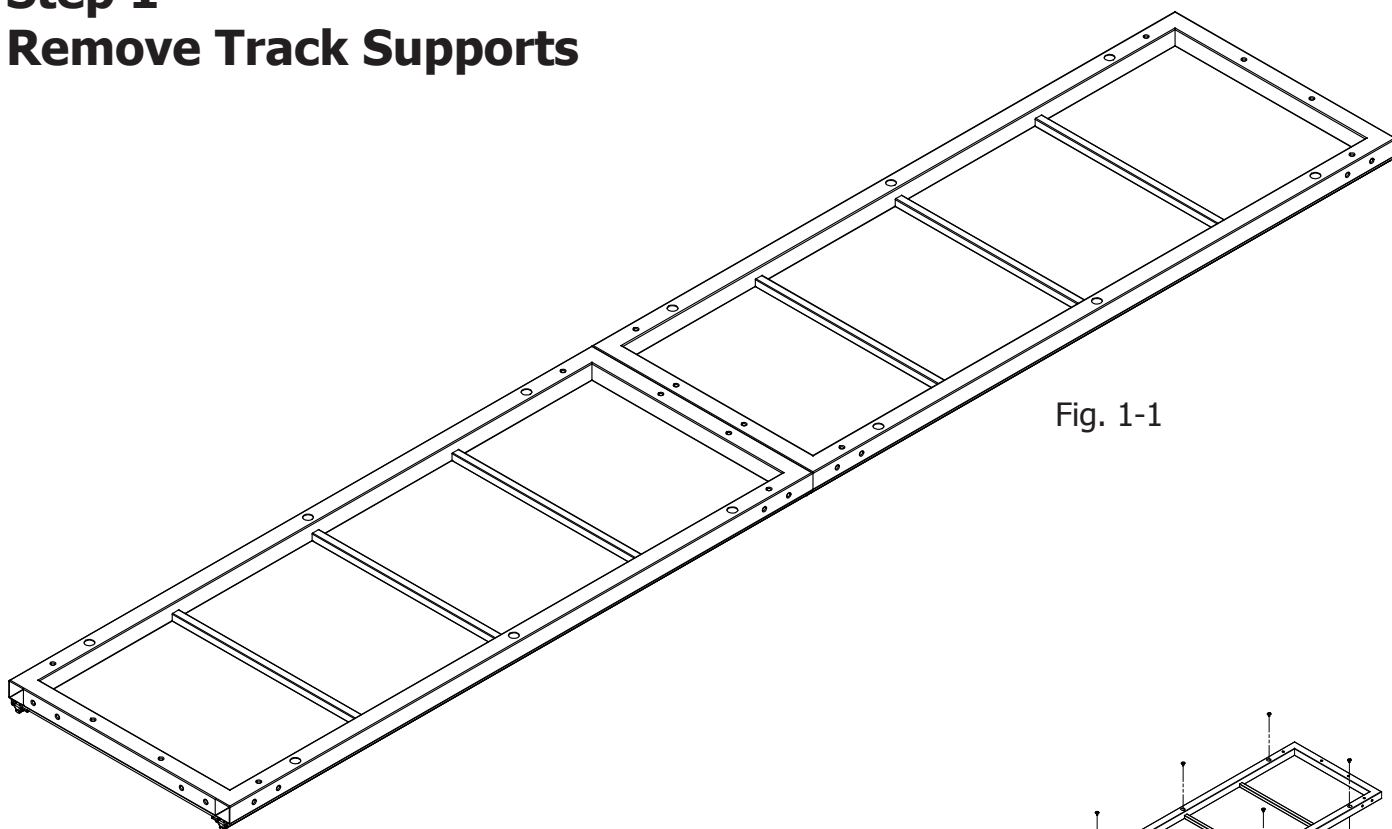


Fig. 1-1

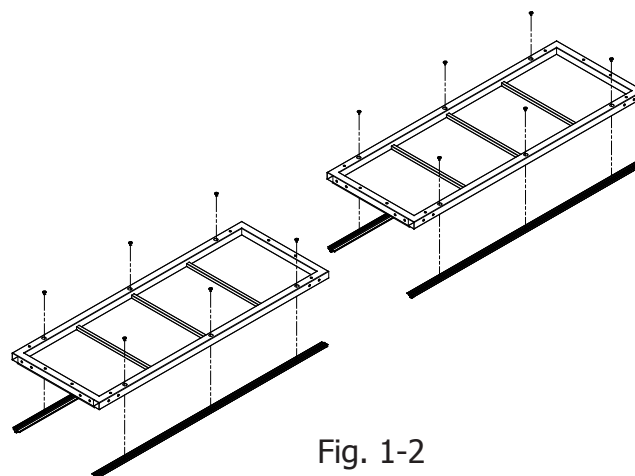



Fig. 1-2

### Parts needed


(2) table section

### Tools Required

4mm Allen wrench (provided)

 **NOTE:** The track support finish could be damaged if not protected or if placed onto a rough surface. Handle with care.

**1-1:** Place the table sections with the track supports face down onto a protective surface. (**Fig. 1-1**)

 **NOTE:** When removing the track supports, keep them in the same position and orientation to ensure perfect alignment when they are replaced.

**1-2:** Using the 4mm Allen wrench remove the three screws from each track support and set the track support aside in a safe place (**Fig. 1-2**). Leave the table sections face down for **Step 2-1**.

## Step 2 Table Assembly

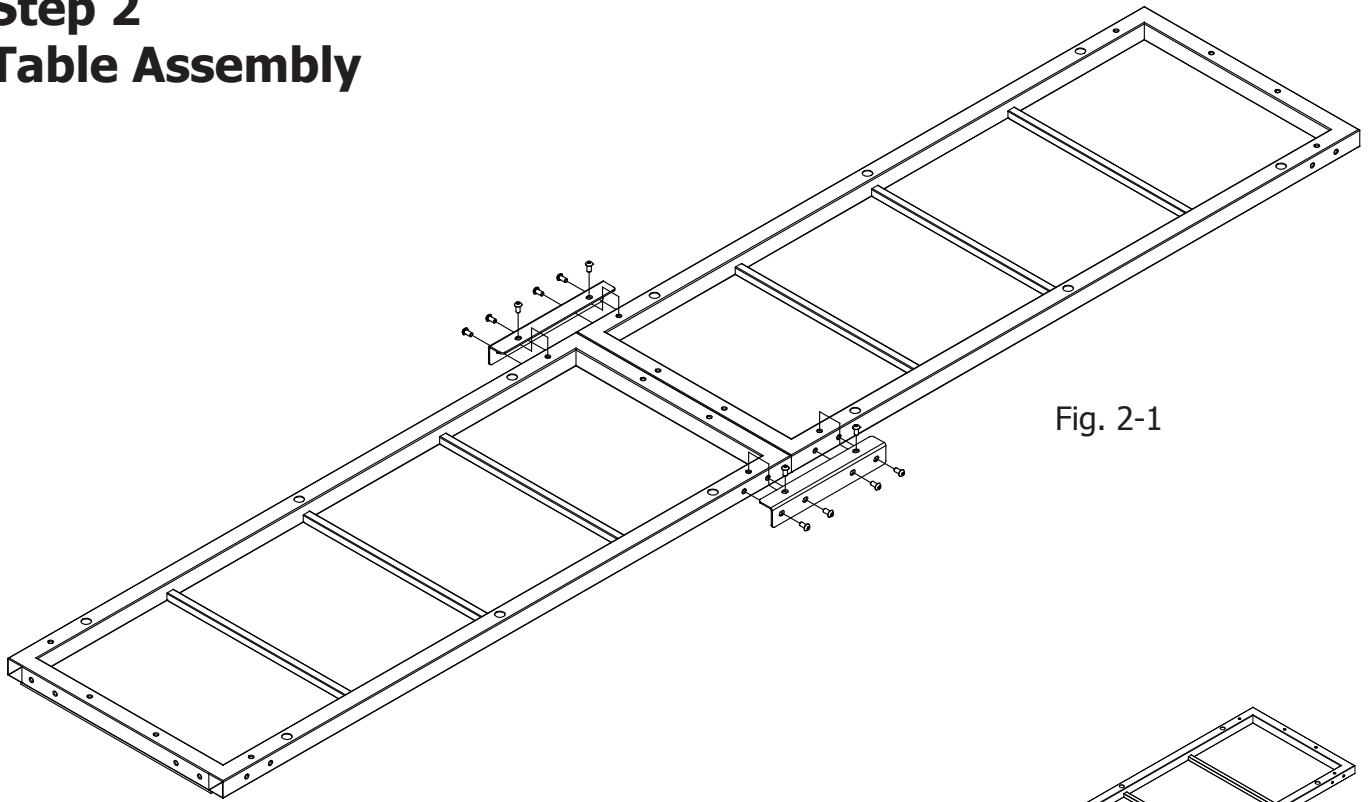


Fig. 2-1

### Parts needed

- (2) table section
- (2) table splice
- (12) M8x16mm socketed button head cap screw QF09318-07

### Tools Required

5mm Allen wrench (provided)

**2-1:** With the table sections face down (large round screw holes for track supports up), slide the two table sections together end to end, as close as possible. Place a table splice onto the sections as shown in **Fig. 2-1**, lining up the holes in the splice with those in the sections. Repeat with remaining table splice on the opposite side of the table sections.

**2-2:** Place four (4) M8x16mm QF09318-07 through the side of each table splice and finger-tighten them into the table sections. (**Fig. 2-1**)

**2-3:** Finger-tighten two (2) M8x16mm QF09318-07 through the top of each table splice.

**2-4:** Pull the two (2) table sections as close together as possible to remove gap.

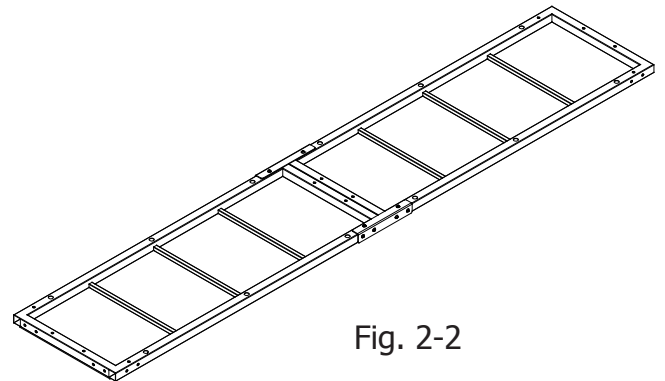


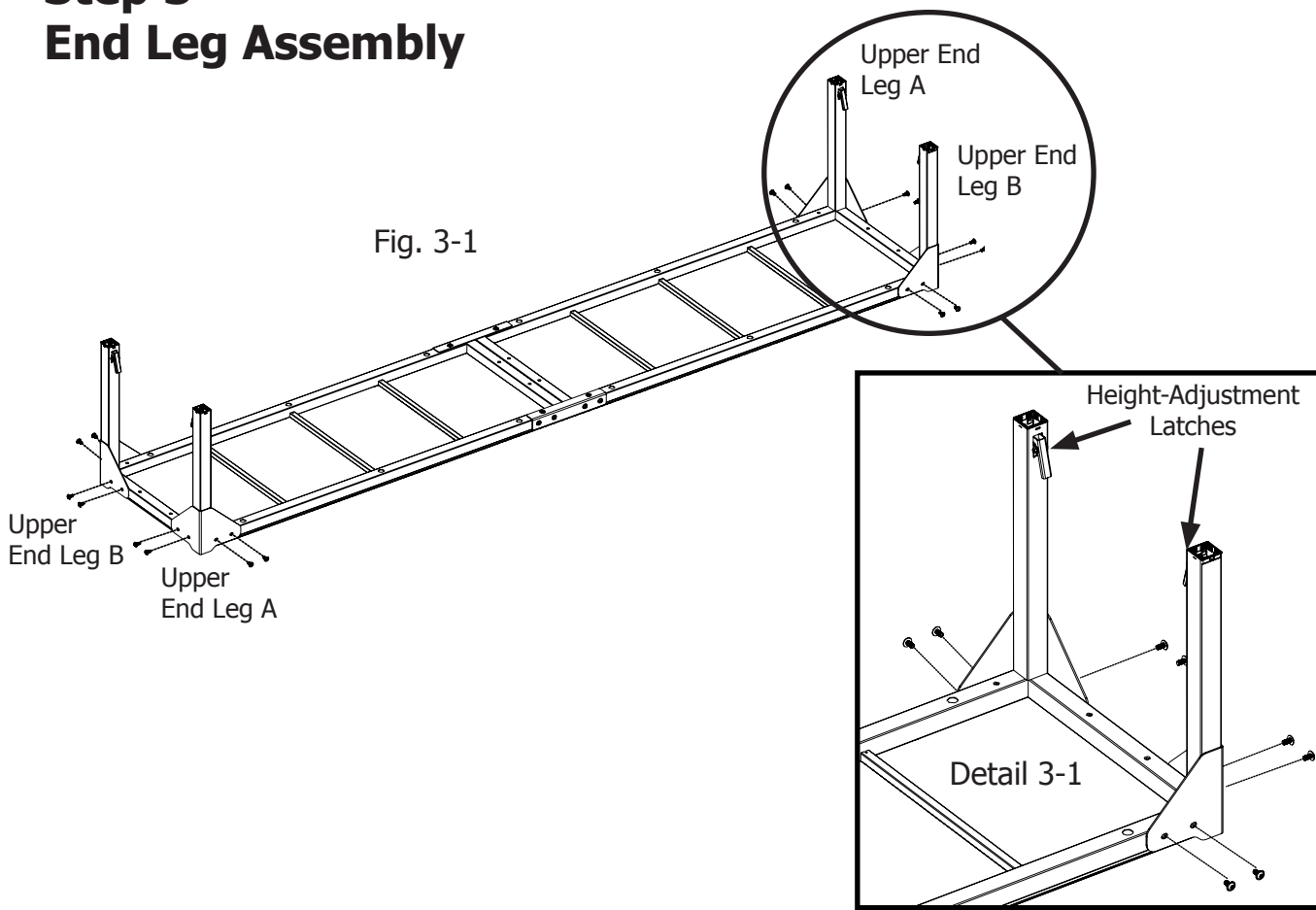
Fig. 2-2

**2-5:** Using the 5mm Allen wrench, tighten the four side screws on each table splice, until the splice touches the side of the table section, and then loosen the screws 1/2 turn.

**2-6:** Using the 5mm Allen wrench, tighten fully the two (2) top screws on each table splice. Finally, fully tighten the four (4) side screws on each table splice. (**Fig. 2-2**)

# Step 3

## End Leg Assembly



### Parts needed

- (1) table assembly
- (2) upper end leg A
- (2) upper end leg B
- (2) lower end leg
- (4) leveling glide
- (8) M8x16mm socketed button head cap screw QF09318-07
- (8) M8x25mm socketed button head cap screw

### Tools Required

5mm Allen wrench (provided)

**3-1:** With the table on the protective surface, still facing down, position the upper end legs A & B so the height adjustment latches face each other across the short end of the table. (See **Fig. 3-1** and **Detail 3.1.**)

**3-2:** Attach each upper end leg to the table with two (2) M8x16mm screws through the upper corner leg brackets at front or rear and with two (2) M8x24mm at the end. Lightly tighten for now with the 5mm Allen wrench.

**3-3:** Slide one (1) lower corner leg onto the two (2) upper corner legs on each end of the frame as shown in **Fig. 3-2** on the previous page and **Fig. 3-3**. Choose the preferred height of the frame based on the table in **Fig. 3-4**.

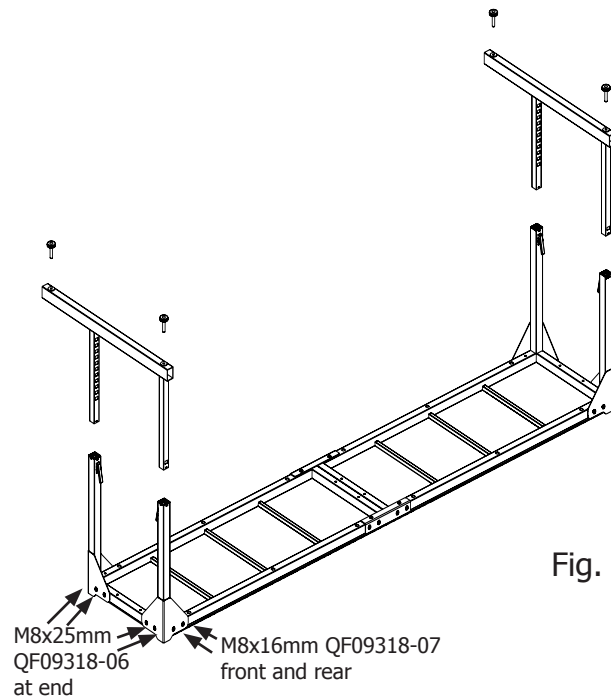


Fig. 3-2



# Step 3 End Leg Assembly (continued)

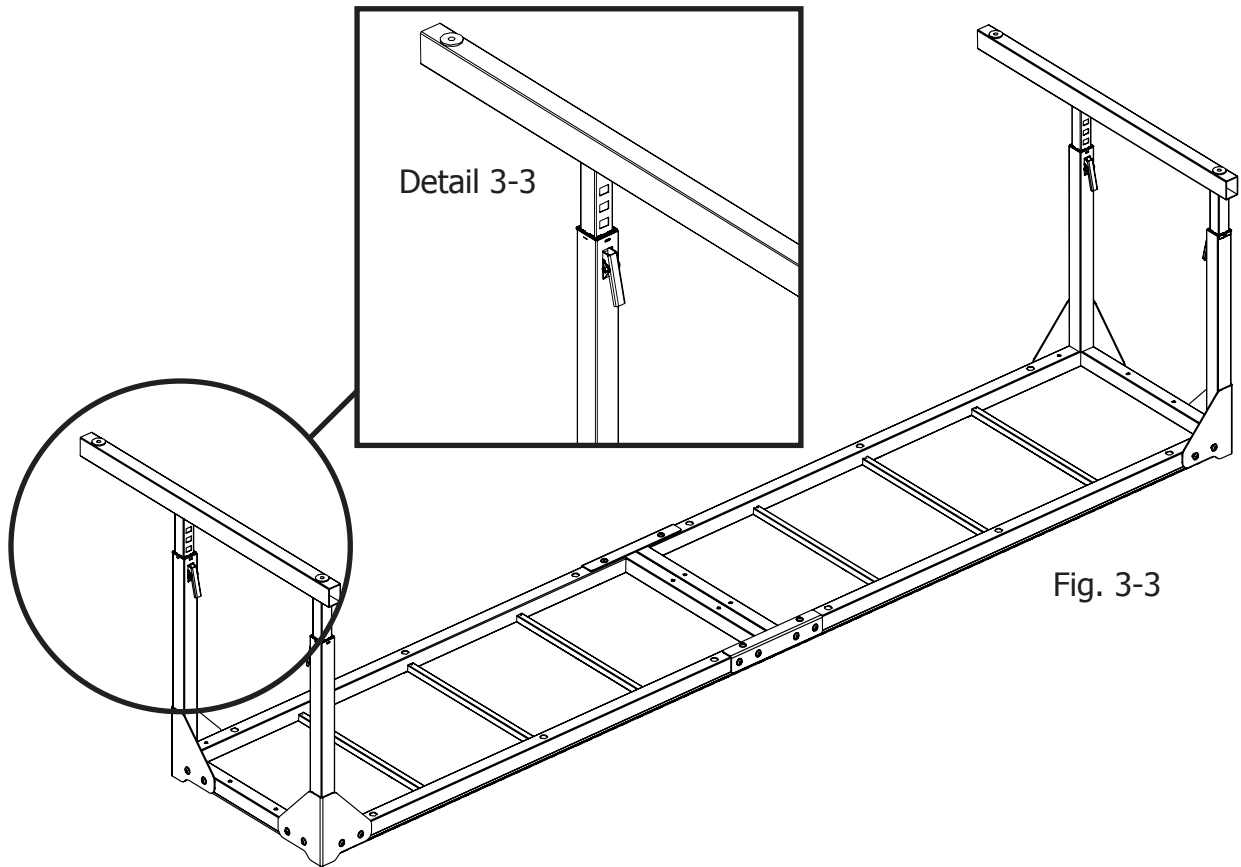
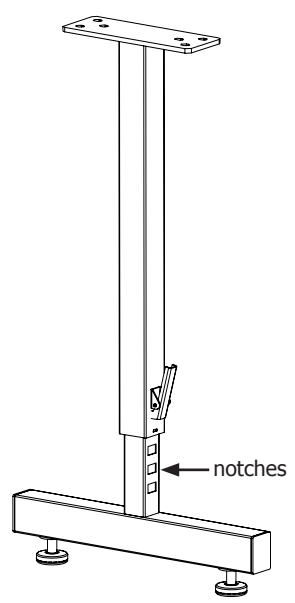


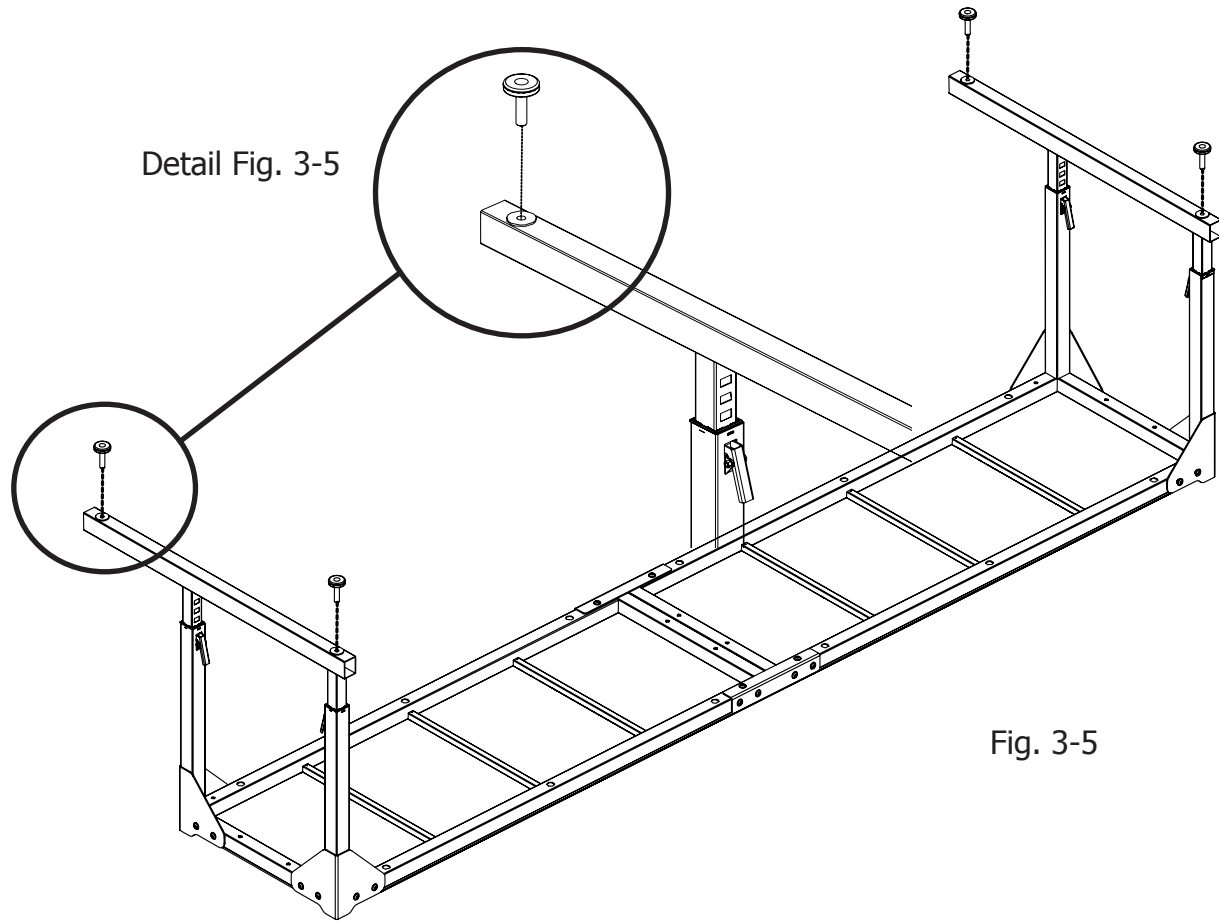
Fig. 3-3

Fig. 3-4 Table of Heights

Ten notches showing	44-inch floor to quilt plane
Nine notches showing	43-inch floor to quilt plane
Eight notches showing	42-inch floor to quilt plane
Seven notches showing	41-inch floor to quilt plane
Six notches showing	40-inch floor to quilt plane
Five notches showing	39-inch floor to quilt plane
Four notches showing	38-inch floor to quilt plane
Three notches showing	37-inch floor to quilt plane
Two notches showing	36-inch floor to quilt plane
One notch showing	35-inch floor to quilt plane
In first notch up	34-inch floor to quilt plane
Bottom	33-inch floor to quilt plane



## Step 3 Corner Leg Assembly (continued)



**3-4:** Thread a leveling glide into each end of the corner leg assemblies, leaving about 1/2" of the threads exposed to make it easier to level the frame later. (**Fig. 3-5** and **Detail 3-5**)

## Step 4 Middle Leg Assembly

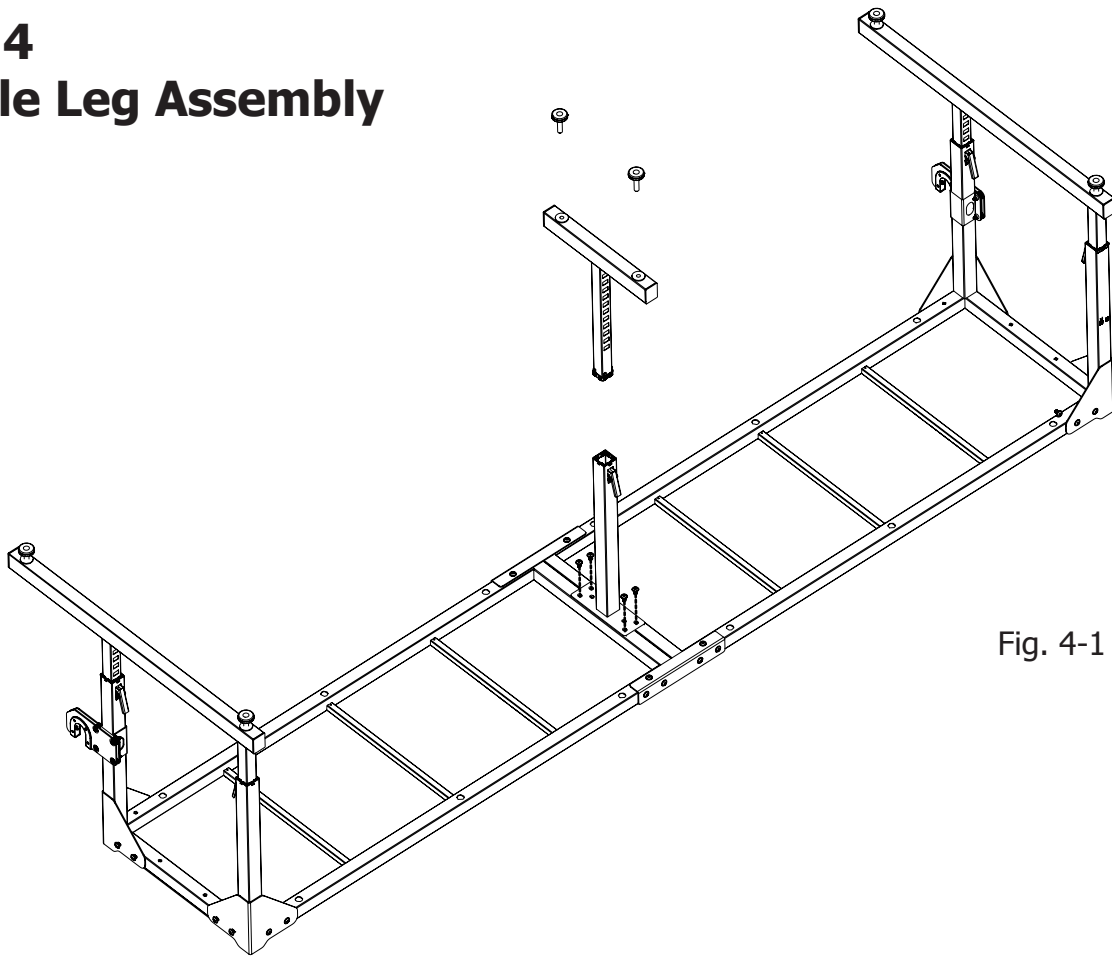


Fig. 4-1

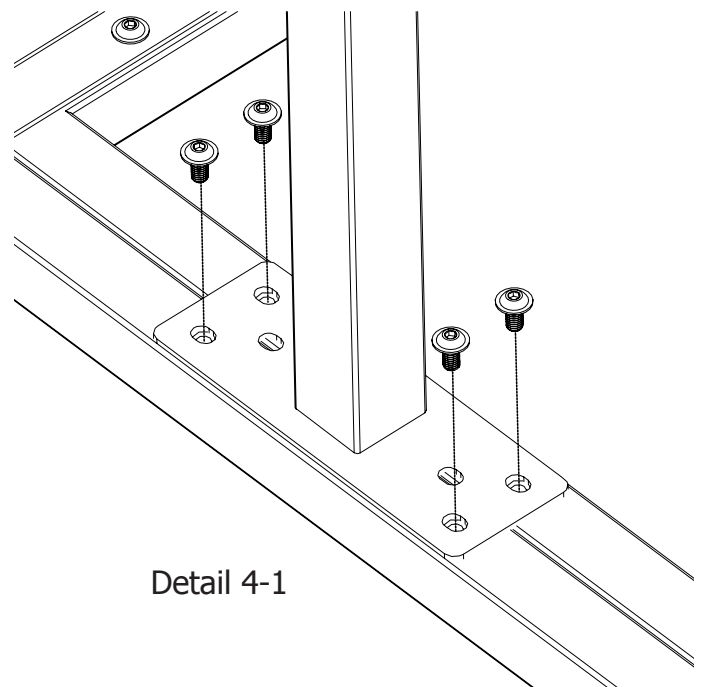
### Parts needed

- (1) table assembly
- (1) upper middle leg
- (1) lower middle leg
- (4) M8x16mm socketed button  
head cap screw QF09318-07
- (2) leveling glide

### Tools Required

5mm Allen wrench

**4-1:** Place the upper middle leg on the center of the table assembly and thread an M8x16mm QF09318-07 into each corner of the mounting plate. (**Fig. 4-1** and **Detail 4-1**) Fully tighten each screw with the 5mm Allen wrench.



Detail 4-1



**Important note:** It is recommended the latch be towards the rear of the frame as shown so the latch will not interfere with the batting on the batting storage pole.

## Step 4 Middle Leg Assembly (continued)

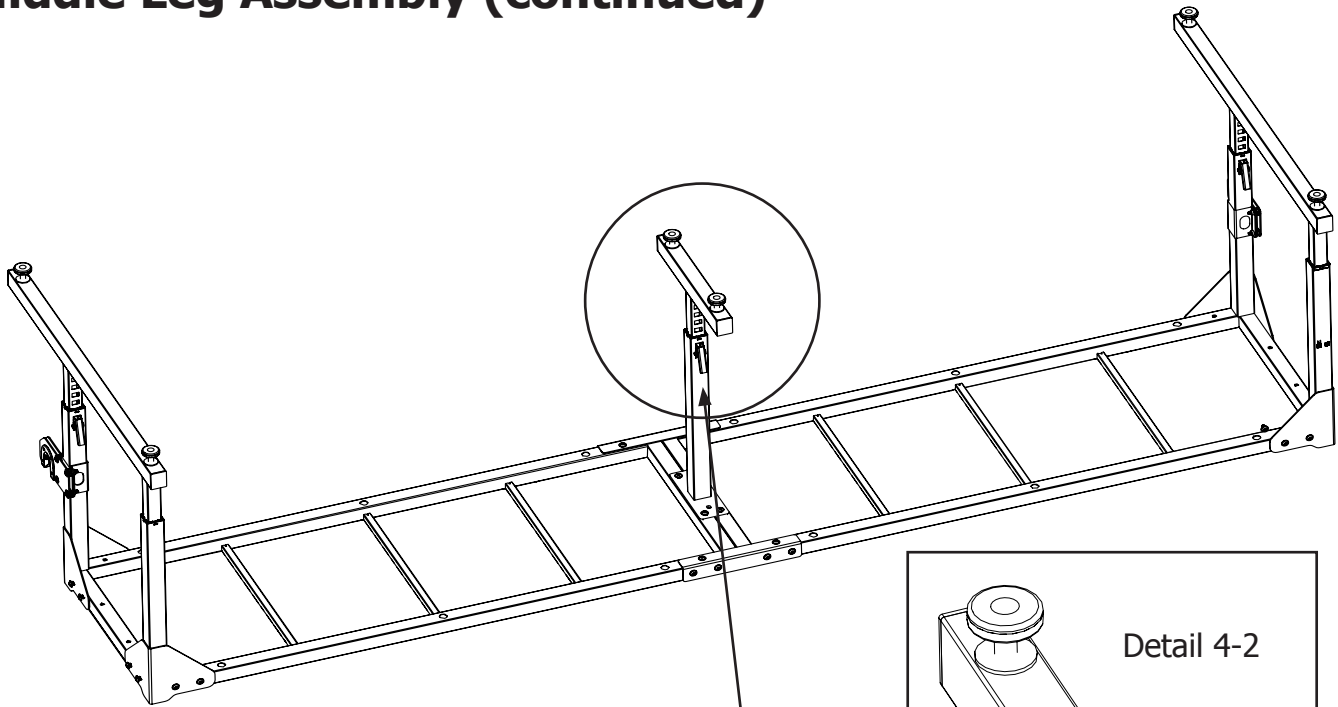


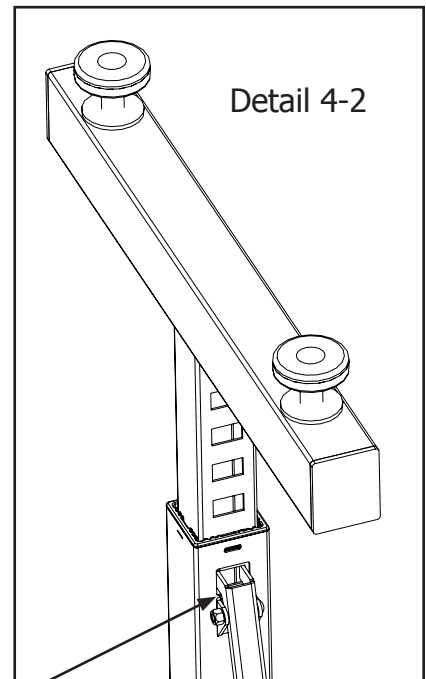
Fig. 4-2

**4-2:** Slide the lower middle leg onto the upper middle legs to the desired height.



Note: It is easier to raise the frame than lower it once the frame is set upright.  
(**Fig. 4-2**)

**4-3:** Thread a leveling glide into each end of the middle leg assembly. (**Detail 4-2**)



Latch to rear of frame as shown

## Step 5 Uprighting the Frame

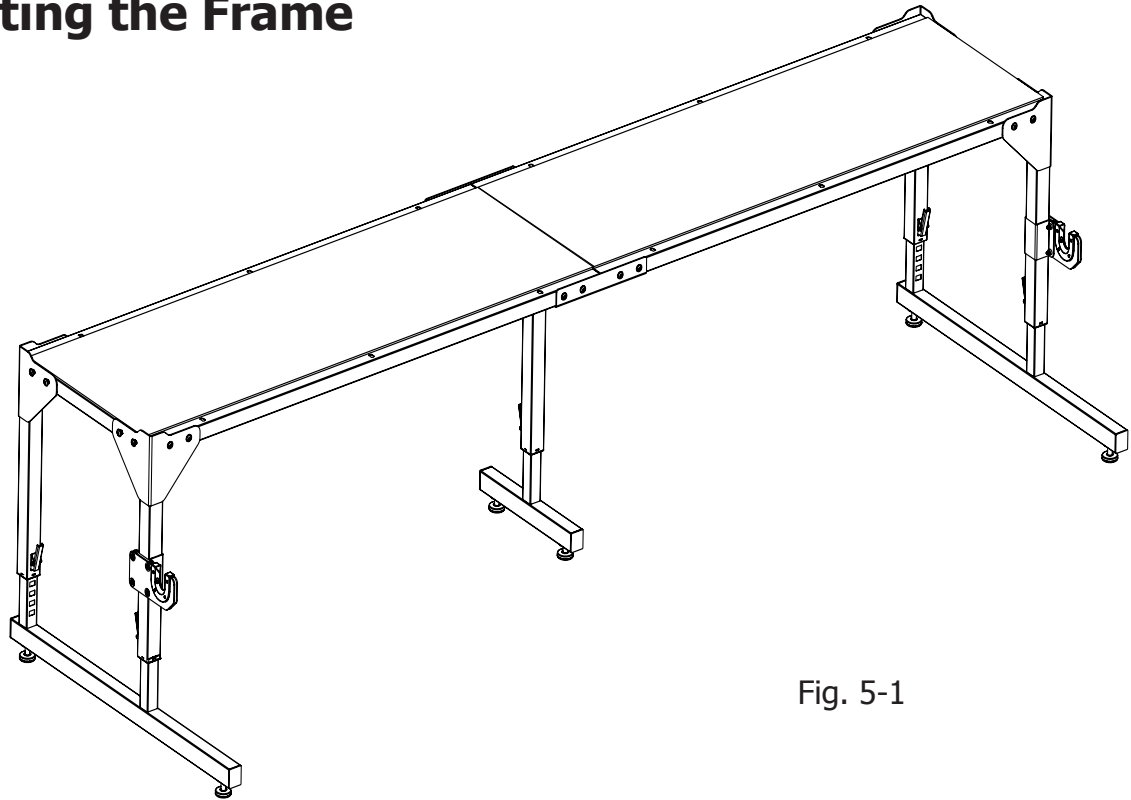


Fig. 5-1

### Parts needed

(1) frame assembly

### Tools Required

helper



**NOTE:** The end screws have been temporarily installed and lightly tightened into the end of the frame to support the legs while uprighting it. Care should be taken with the legs until they are fully tightened. (**Fig. 5-1**)

**5-1:** With the help of a second person, lift the frame into an upright position.

## Step 6 Support Rail Assembly

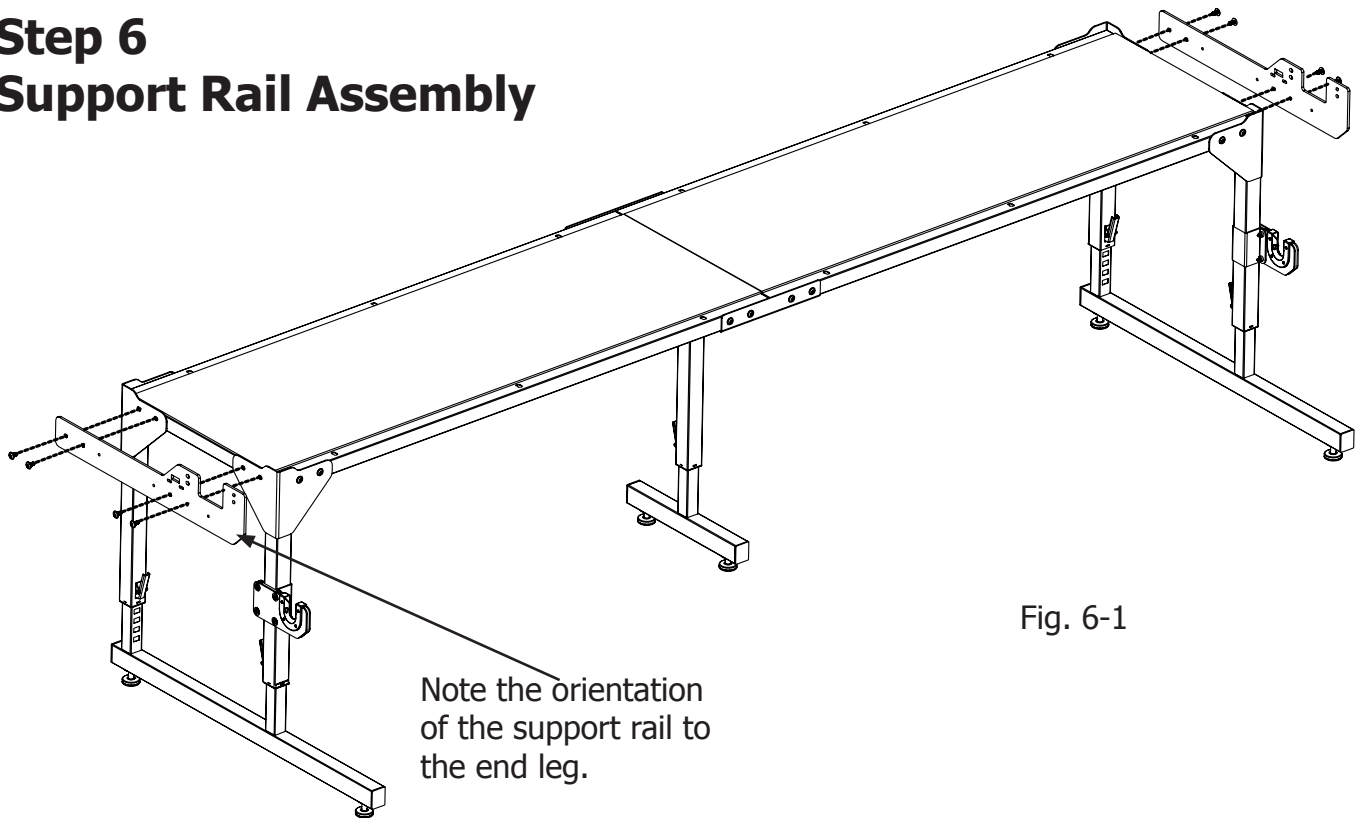


Fig. 6-1

### Parts needed

- (1) frame assembly
- (2) support rail
- (8) M8x25mm socketed button head cap screw QF09318-06 (already in frame ends)

### Tools Required

5mm Allen wrench (provided)

**6-1:** Remove the four (4) lightly-tightened M8x25mm QF09318-06 end screws from the frame, as shown in **Fig. 6-2**.

**6-2:** Align the support rail to the end of the frame, orienting the rail as shown in **Fig. 6-1**. Insert the four (4) M8x25mm QF09318-06 through the support rail and into the frame and fully tighten with the 5mm Allen wrench. (**Fig. 6-1**)

**6-3:** At this time, fully tighten the remaining four (4) screws at the upper corner legs into the frame. (**Fig. 6-2**)

**6-4:** Repeat steps 6-1 through 6-3 to attach the remaining support rail to the other end of the frame.

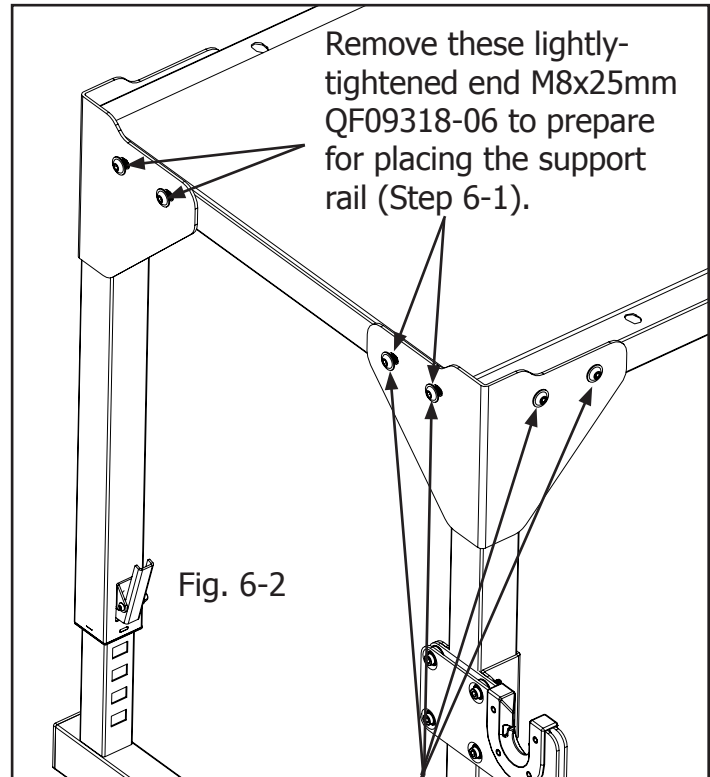
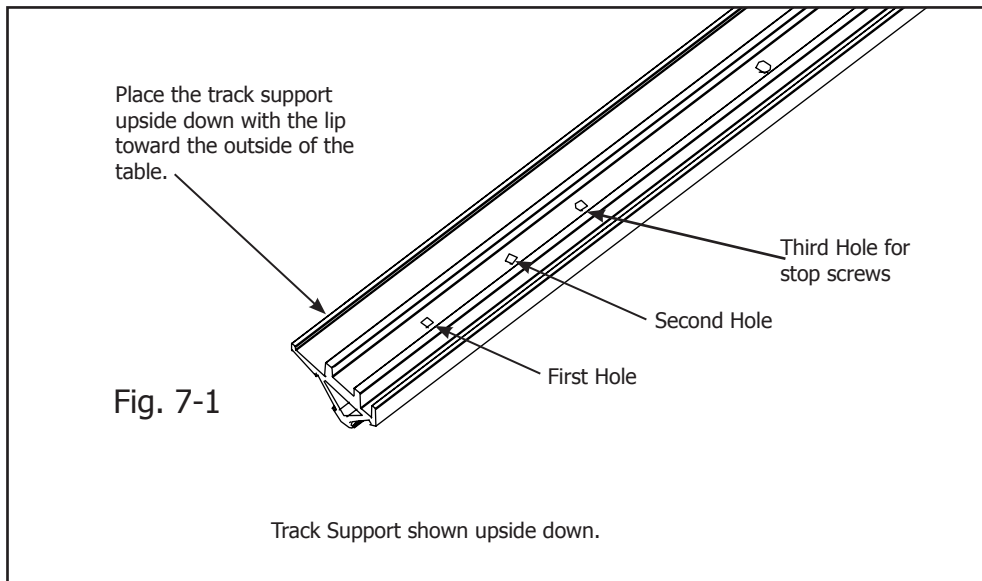


Fig. 6-2

Tighten these M8x16mm QF09318-07 at each corner in Step 6-3.

## Step 7 Track Assembly



### Parts needed

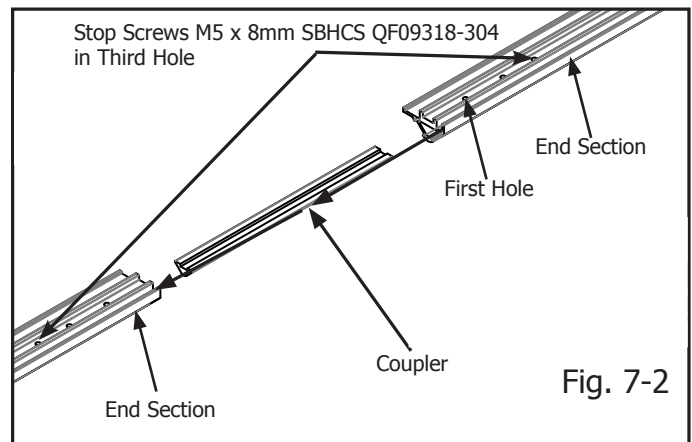
- (1) frame assembly
- (4) track support
- (2) track support coupler
- (12) M5x8mm Socketed Button Head Cap Screw QF09318-304
- (12) M6x12mm Socketed Washer Head Cap Screw QF09318-303
- (4) Black Track

### Tools Required

- 3mm Allen wrench (provided)
- 4mm Allen wrench (provided)

**7-1:** Place the four (4) track supports, removed earlier, on the frame assembly top with the screw holes up and the wide lip of the supports facing the outside of the table. (**Fig. 7-1**)

**7-2:** Check inside the ends of the track supports for burrs or debris and remove all foreign matter from the inside.



**7-3:** To prepare for joining the sections together, screw one M5x8mm QF09318-304 into the third hole from the splice end of each section to serve as a stop screw. (**Figs. 7-1, 7-2**) Fully tighten the screw with the 3mm Allen wrench. This will help align the coupler properly into the two track support sections when joined.

**7-4:** Insert a coupler into one prepared end of one track support section up to the stop screw. Thread an M5x8mm QF09318-304 into the first and second hole and lightly tighten as shown in **Fig. 7-2**.

## Step 7

### Track Assembly (continued)

Insert the other end of the coupler into second prepared track support section. Hold the two adjoining track support sections tightly together and thread an M5x8mm QF09318-304 into the first hole of the second track support and lightly tighten. You may need to gently rock the track support to seat the coupler. Insert the second screw into the track supports, align and tighten. Once aligned, fully tighten all M5x8mm QF09318-304.

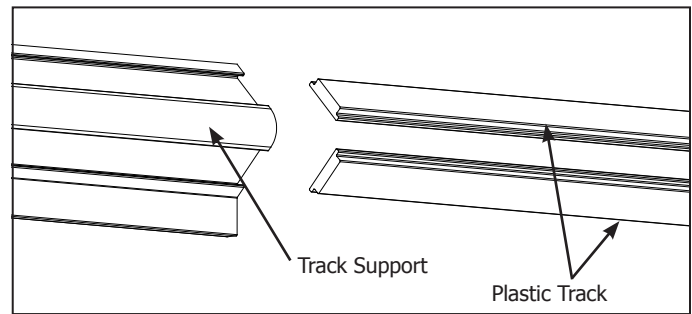


Fig. 7-3

**7-5:** Insert a plastic track completely into one side of the aluminum track supports (**Fig. 7-3**). The plastic track should slide into the track support easily. If a plastic track binds slightly, try backing it out a little, then try pushing it further. If the plastic binds badly, check the track supports for debris, burrs, misalignment or damage. In same manner, insert plastic track in other side of track support.

**7-6:** Repeat Steps 7-2 through 7-5 to make the second track.

**7-7: Attach Tracks.** Secure one assembled track to the back of the quilting frame. Line up the track support by holding it tightly against the plastic table top as you secure it to the frame, using six (6) M6x12mm QF09318-303 as shown in **Fig. 7-5** and **Detail 7-5** on next page. Do not tighten screws at this time. They need to be loose to accommodate adjustments in the next step. In same manner, attach the remaining track support to the front of the frame using six (6) M6x12mm QF09318-303.


 **NOTE:** The extrusions have a wider shoulder on one edge of the track. This shoulder is to be placed toward the inside of the table over the edge of the black plastic tabletop. (Fig. 7-4)

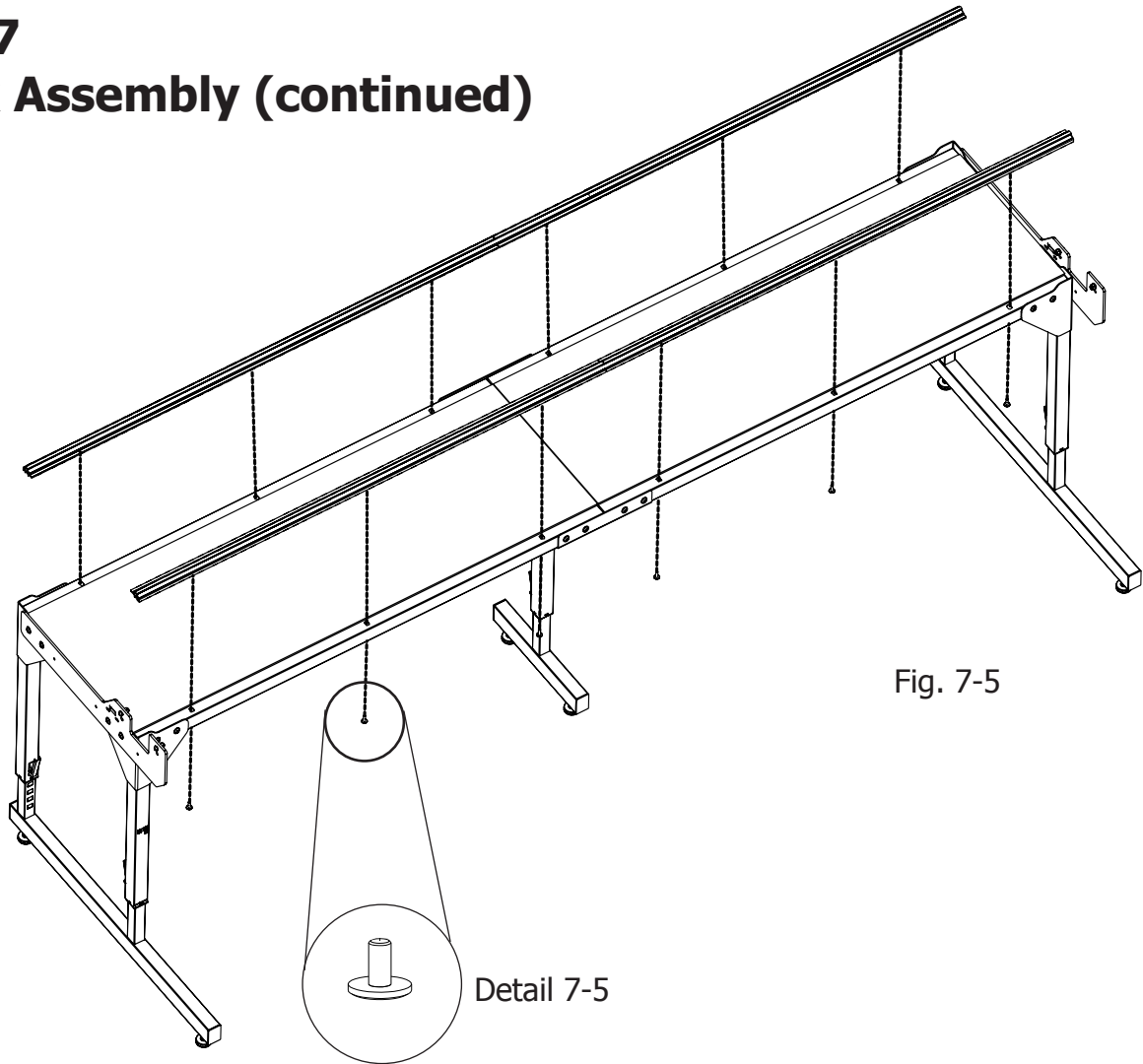


Fig. 7-4

**7-8: Align Tracks.** Place the carriage on the tracks at one end of the table. Roll back and forth along the length of the table, establishing the distance between the tracks, taking care to check that the wheels are engaging the track on both the front and the back of the carriage. Move both tracks in tandem to the back of the table as far as possible. (Slots in the table allow this movement – if you have not tightened the screws too tight.) Double-check that the back track is straight along the back edge of the table. Fully tighten the screws in the back track only for now.



## Step 7 Track Assembly (continued)



**7-9:** Place the machine onto the carriage and again, roll it the entire length of the frame, working the tracks into the wheels as you go. Lightly tighten the front track support screws as you move down the table. Check the carriage to verify that it rolls smoothly and that both ends of the carriage are engaging the tracks.

If you find a section of track where the carriage rocks back and forth when the machine is moved all the way forward or back, loosen the front track support screws, adjust the front track until the carriage rolls smoothly and does not rock, then re-tighten the front track screws.

**7-10:** Finally, fully tighten the front track screws to the table.

## Step 8 Ratchet Stop Assembly

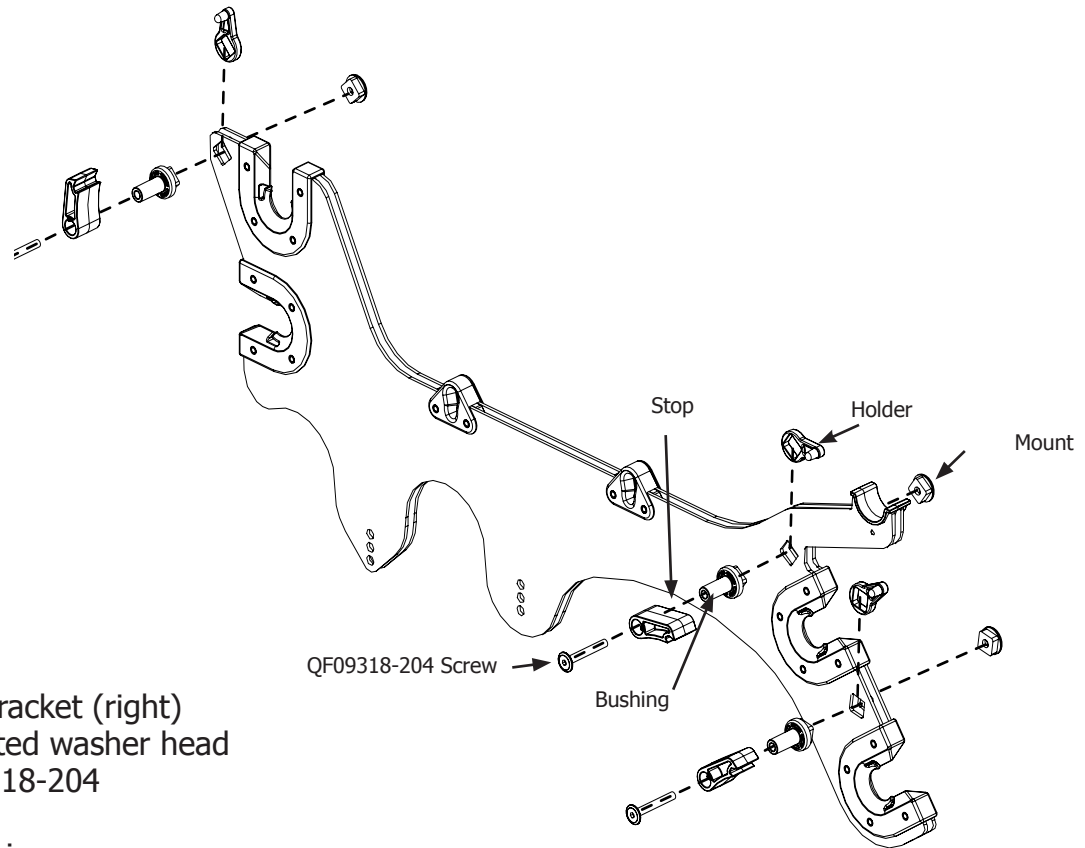


Fig. 8-1

### Parts needed

- (1) open-hole pole bracket (right)
- (3) M6x48mm socketed washer head cap screw QF09318-204
- (3) ratchet-stop
- (3) ratchet-stop bushing
- (3) ratchet-stop mount
- (3) ratchet-stop holder

### Tools Required

4mm Allen wrench (provided)

**8-1:** Identify the open-hole pole bracket (right bracket) and the plugged-hole pole bracket (left bracket). Set the plugged-hole pole bracket aside at this time. (**Fig. 8-1**)

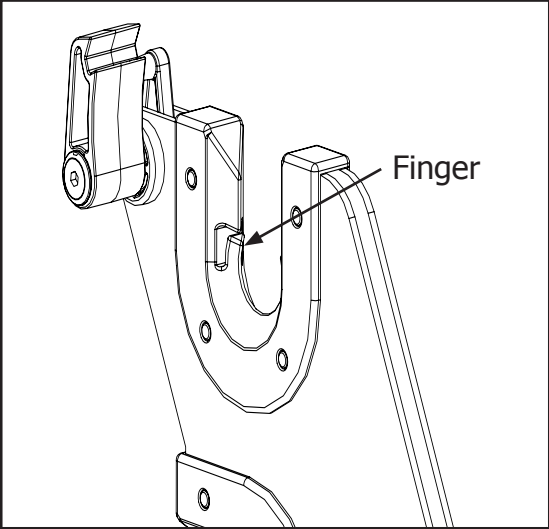
**8-2:** Place one ratchet-stop catch between the two metal pieces at the back of the open-hole pole bracket, with the stop nub facing inside, as shown in **Fig. 8-1 and Details 8-1a, 8-1b, and 8-1c** found on the next page. If the ratchet-stop holder will not fit, loosen the two bearing screws nearest the square hole. Slide in the ratchet-stop holder and re-tighten when finished.

**8-3:** Following the parts order shown in **Fig. 8-1**, thread one M6 x 48mm QF09318-204 through a ratchet-stop, ratchet-stop bushing, pole bracket (with ratchet-stop holder inserted) and finally into the ratchet-stop mount. Pay close attention to the orientation of the ratchet-stop. Tighten with the 4mm Allen wrench until the ratchet-stop-holder nub holds the ratchet-stop.

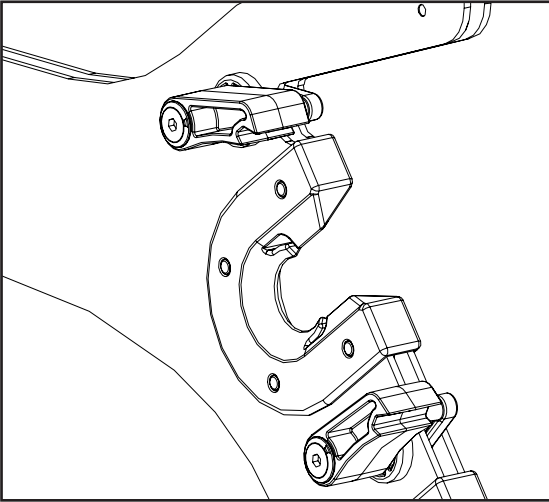
**8-4:** In same manner, attach the remaining ratchet-stops and ratchet-stop catches to the front of the pole bracket, paying attention to the orientation of the ratchet-stops (**Figure 8-1, Details 8-1a, Details 8-1b and 8-1c**) to create the right pole bracket.

# Step 8

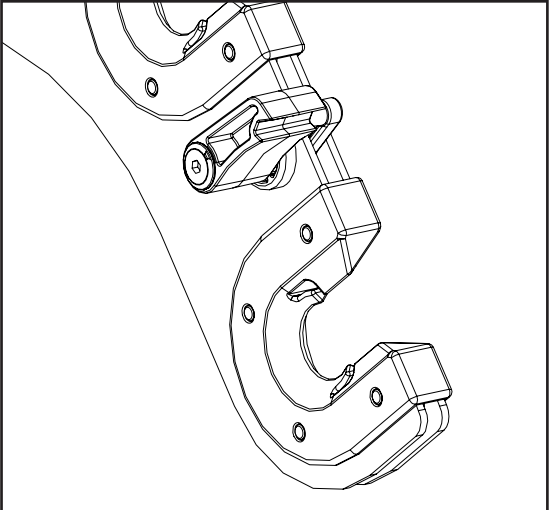
## Ratchet Stop Assembly (continued)



Detail 8-1a

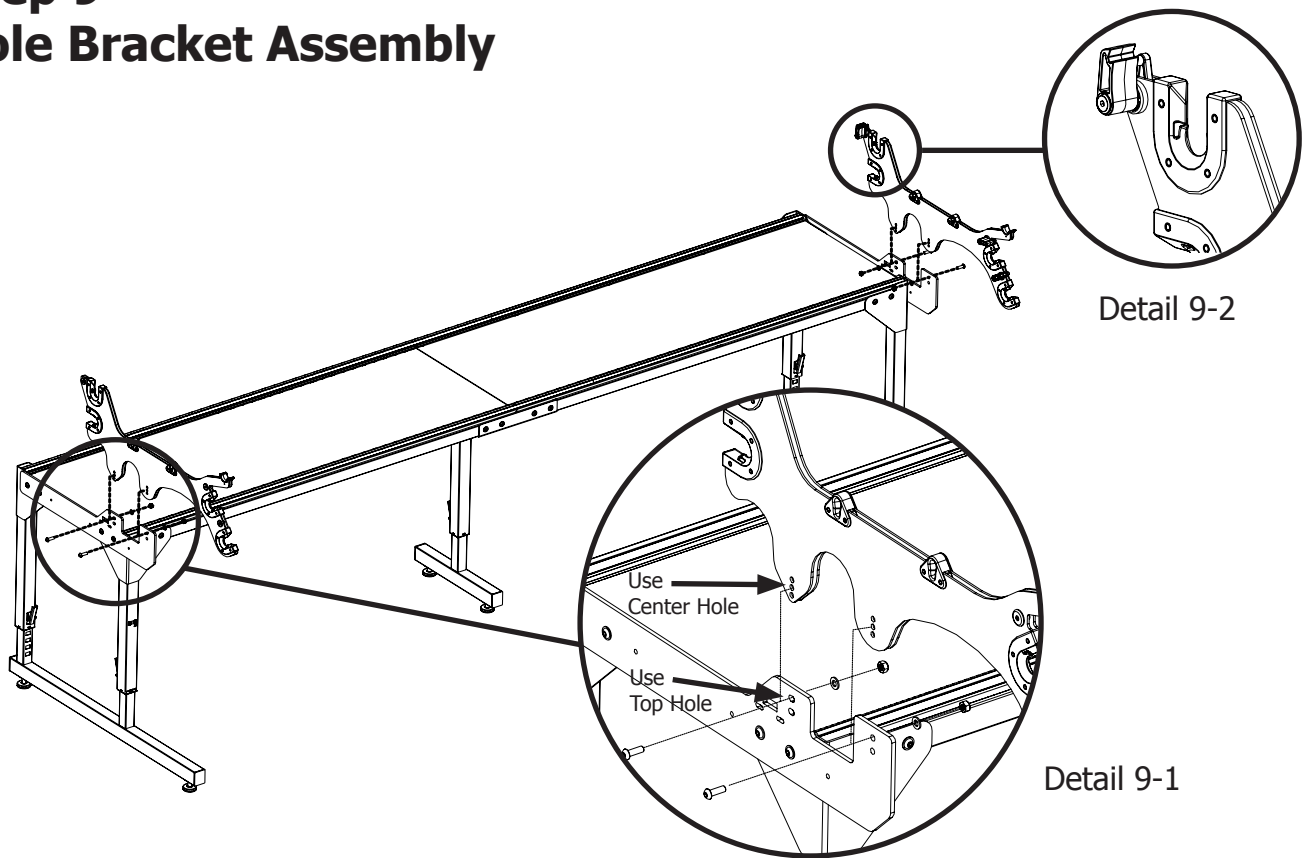


Detail 8-1b



Detail 8-1c

## Step 9 Pole Bracket Assembly



### Parts needed

- (1) frame assembly
- (1) pole bracket assembly with latches (right)
- (1) pole bracket assembly without latches (left)
- (4) M8x25 socketed button head cap screw  
QF09318-06
- (4) M8 flat washer QF09318-09
- (4) M8 lock nut QF09318-08

### Tools Required

- 5mm Allen wrench (provided)
- 17/13mm wrench (provided)

**9-1:** Slide the left pole bracket assembly down over the support rail on the left frame side front. The pole bracket should straddle the support rail. Attach the pole bracket assembly using two M8x25mm QF09318-06.

**Thread the screws through the center hole of the pole bracket and the top hole of the support rail from the outside to the inside of the frame (Detail 9-1).**

The Baby Lock Kinetic Quilt Frame pole brackets have 2 sets of 3 mounting holes to attach them to the support rails. The center hole in the 3 holes is normally the optimum position to install the pole brackets. This hole normally lines up with the top hole in the support rails. The support rails have 2 sets of 2 holes for mounting the pole brackets. The top hole is to be used when using the Baby Lock Regalia standard carriage and the bottom set of holes is to be used when using the Pro-Stitcher carriage. The extra 2 holes on the pole brackets are for adjustment of the pole brackets, up or down. The pole bracket can be adjusted 7/16" up or down from the center hole if needed. On the end of each screw, slide a flat washer followed by a lock nut, as shown in **Detail 9-1**.

**9-2:** Visually level the pole bracket assembly and fully tighten the two screws with the 13mm wrench and 5mm Allen wrench.

**9-3:** Repeat **Steps 9-1** and **9-2** to attach the right pole bracket assembly, making sure the ratchet stops are on the inside of the frame. (**Detail 9-2**)

## Step 10 Pole Coupler Assembly


### Parts needed

(10) pole sections  
(5) pole couplers

**10-1:** Join two pole sections together by inserting a pole coupler into the end of one pole section (as shown in **Fig. 10-1**), depressing the spring button as it slides in. Continue sliding until the spring button pops out of the hole in the pole section. Repeat to add the second pole section to the first to complete one pole assembly.

**10-2:** Using the remaining pole couplers and pole sections, repeat **Step 10-1** to complete three more pole assemblies.

### Special tool for pole end attachment

 **Note:** A pole end wrench is provided to aid in holding the pole ends without ratchets and a regular M10 nut is provided for the pole ends with ratchet wheel assemblies, if you have trouble holding the pole end while tightening the pole end into the pole.

Place the small holes on the wrench over two of the protruding tabs on the pole ends to help hold the pole ends while tightening the lock nut.

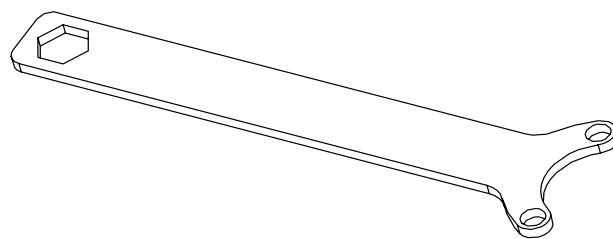
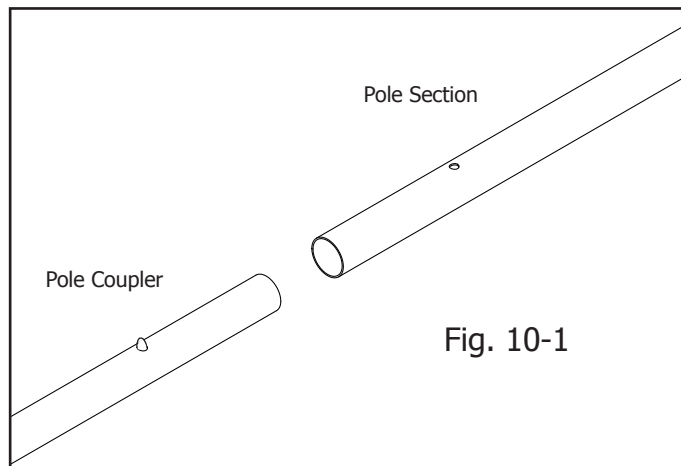


Fig. 10-2

# Step 11

## Pole End Assembly

### Parts needed

- (5) pole assembly
- (7) pole end
- (2) short-bolt ratchet wheel assembly
- (1) long-bolt ratchet wheel assembly
- (1) hand wheel assembly
- (1) hand wheel insert

### Tools Required

- 17/13mm wrench (provided)
- Pole end/10mm wrench (provided)

**11-1:** Check one pole end to ensure that it matches **Fig 11-1 and 11-3**.

**11-2:** Loosen the nut on the pole end until it reaches the end of the bolt (**Fig. 11-2**).

**11-3:** Holding onto the outside pole end, push the nut end of the bolt towards the opposite end of the assembly (**Fig. 11-1**), until the pole end short-bolt wedge slides out (**Fig. 11-2**). This makes the outside diameter of the pole end smaller and ready to be inserted into the end of the pole assembly.

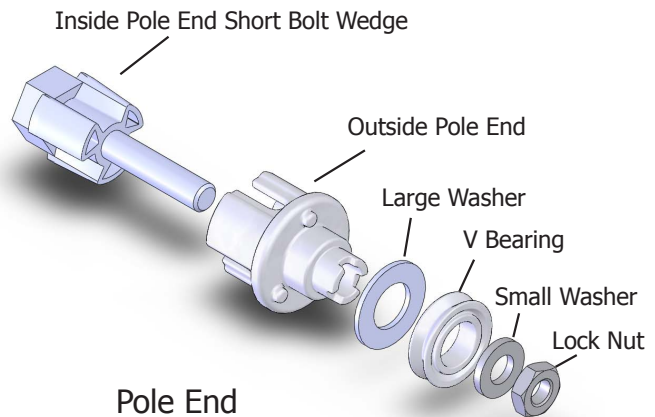
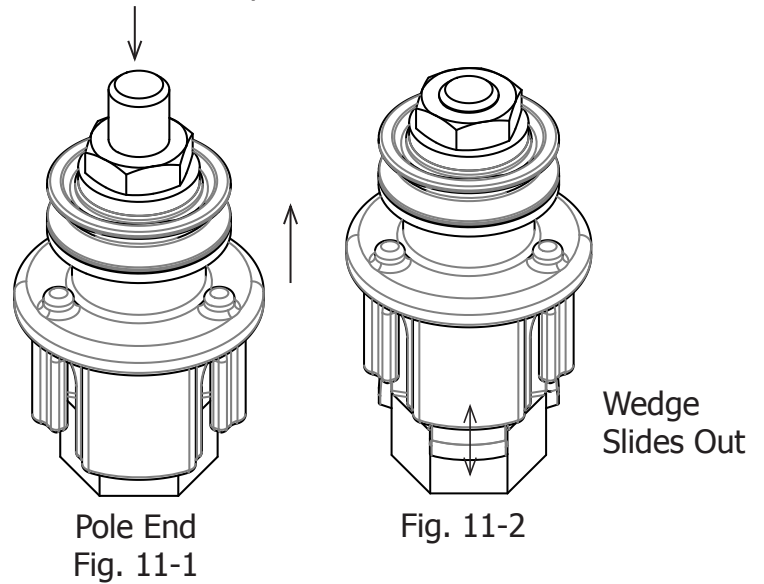
**11-4:** Repeat Steps 11-1 to 11-3 to prepare the remaining four (6) pole ends for insertion.

**NOTE:** A pole end wrench is provided to aid in holding the pole ends without ratchets and a regular M10 nut is provided for the pole ends with ratchet wheel assemblies, if you have trouble holding the pole end while tightening the pole end into the pole.

**11-5:** Slide one pole end into the end of one pole assembly as shown in **Fig. 11-4**. Check that the pole end is inserted completely into the pole assembly.

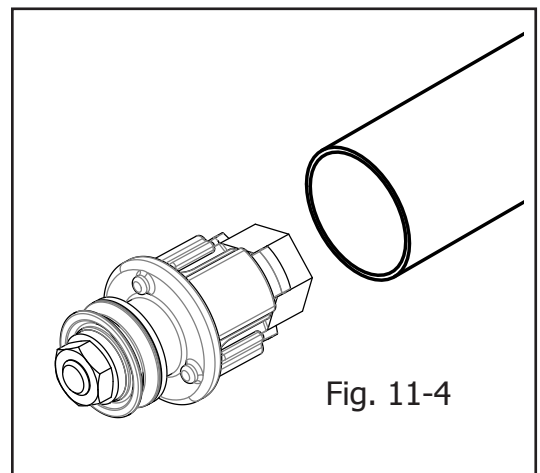
**11-6:** Completely tighten the nut, using the 17/13mm wrench, while holding the pole end assembly tightly into the open end of the pole. This will expand the outer pole end, ensuring a tight fit into the pole.

Loosen nut then push



Pole End assembly comes pre-assembled. Exploded diagram is for reference only.

Fig. 11-3



# Step 11

## Pole End Assembly (continued)

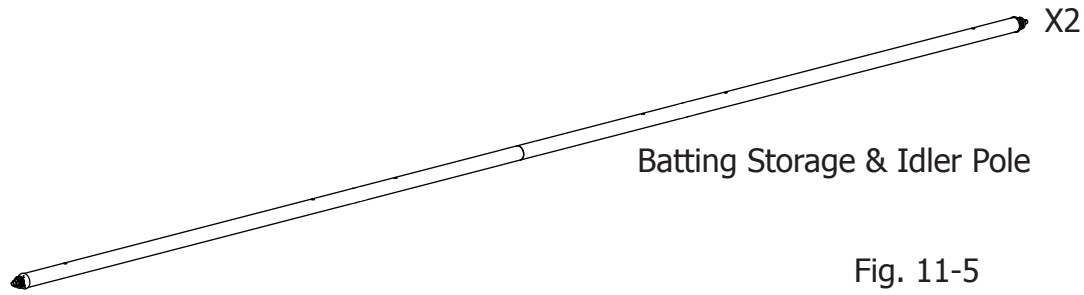


Fig. 11-5

**11-7:** Repeat **steps 11-5** and **11-6** to add a second pole end to the other open end of the pole assembly just built and one pole end to each of the remaining 3 pole assemblies (**Fig. 11-5**). Repeat the process and set the two poles with two pole ends aside as the **batting storage pole and the idler pole**.

### Short-Bolt Ratchet-Wheel Assembly

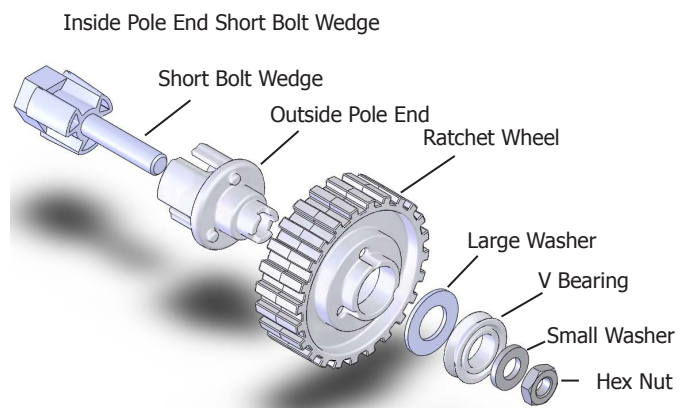
**11-8:** Check the short-bolt ratchet wheel assembly to ensure that it matches **Fig. 11-6**.

**11-9:** Loosen the nut at the end of the short-bolt ratchet wheel assembly until it nearly reaches the end of the bolt.

**11-10:** Holding onto the outside of the pole end, push the nut end of the bolt towards the opposite end of the assembly until the inside pole end short-bolt wedge slides out (in similar fashion to **Step 11-3**). This makes the outside diameter of the outside pole end smaller and ready to be inserted into the end of the pole assembly.

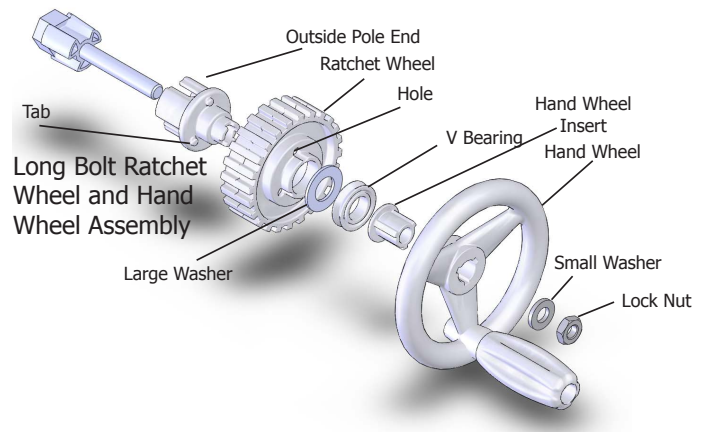
### Long-Bolt Ratchet-Wheel Assembly

**11-12:** Add the hand wheel assembly and hand wheel insert as shown in **Fig. 11-7**, aligning the three tabs on the hand wheel insert with the three notches on the outside pole end. If the three tabs are not properly aligned, the hand wheel will spin freely, independent of the pole.



Short-bolt ratchet assembly comes pre-assembled. Exploded diagram is for reference only.

Fig. 11-6



Long bolt ratchet wheel assembly comes pre-assembled without hand wheel and hand wheel insert. Exploded diagram is included for reference.

Fig. 11-7

## Step 11 Pole End Assembly (continued)

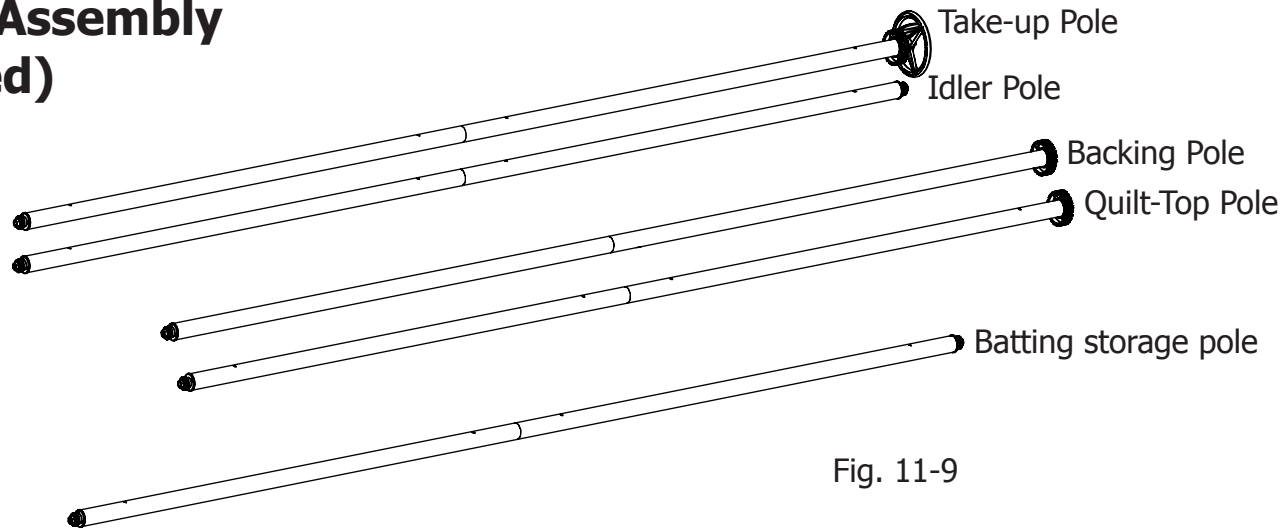


Fig. 11-9

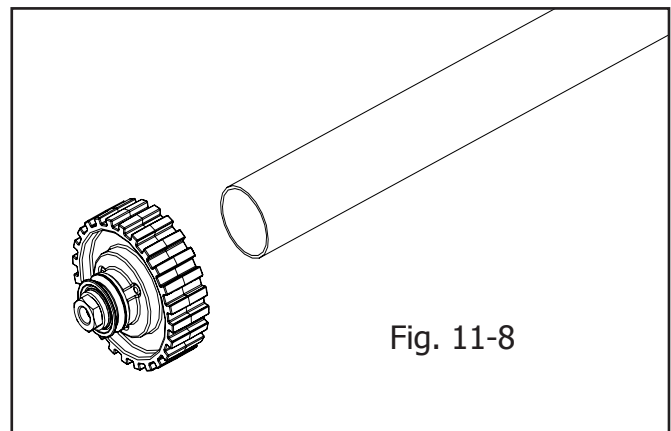


Fig. 11-8

**11-13:** Repeat **Step 11-10** to prepare the long-bolt ratchet wheel assembly for insertion.

### Ratchet Wheel and Hand Wheel Insertion

**11-14:** Insert one short-bolt ratchet wheel assembly into the open end of a pole assembly as shown in **Fig. 11-8**. Check that the pole end is inserted completely into the pole assembly.

**11-15:** Completely tighten the lock nut, using the 17/13mm wrench, while holding the short-bolt ratchet wheel assembly tightly into the open end of the pole. This will expand the outer pole end, ensuring a tight fit in the pole. Make sure all 3 tabs on the outside pole end, align with the three holes on the ratchet wheel, see **Fig. 11-6 previous page**. This completes the **backing pole**.

**11-16:** Repeat **Steps 11-14** and **11-15** to complete the **quilt-top pole**. Set both poles aside (**Fig. 11-9**).

**11-17:** In same manner, slide the long-bolt ratchet wheel assembly and hand wheel assembly into the open end of the remaining pole assembly and while holding the complete assembly tightly into the open end of the pole, tighten the lock nut, using the 17/13mm wrench. Check to be sure the hand wheel engages the ratchet wheel assembly and does not spin loosely and that the 3 tabs of the outside pole end align with the 3 holes in the ratchet wheel. This completes the **take-up pole (Fig. 11-9)**.



## Step 12

# Batting Bar Bracket Assembly

### Parts needed

- (2) batting bar bracket assembly
- (2) batting bar bracket clamp
- (8) M6x25mm socketed washer head cap screw QF05300-113

### Tools Required

M4 Allen wrench (provided)

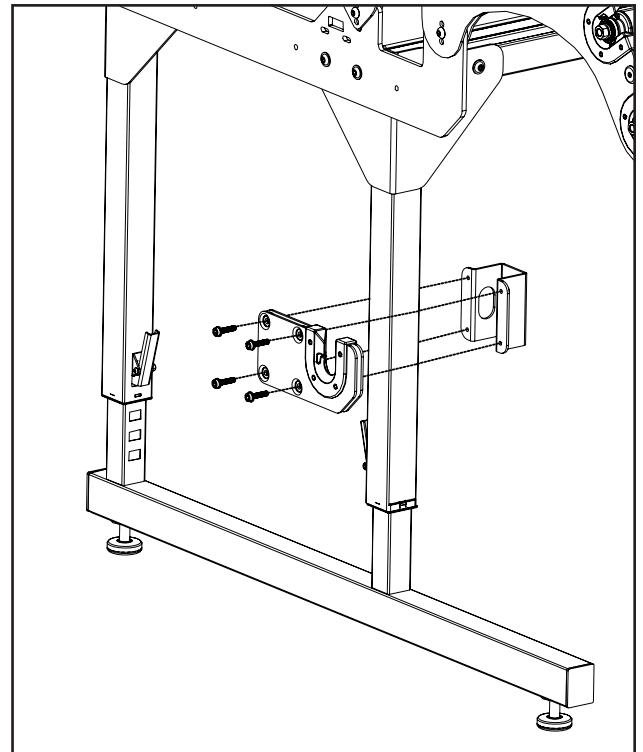



Fig. 12-1

**12-1:**  **NOTE: This step includes a recommendation for the position of the batting bar bracket. This position can be changed, depending on the diameter of the batting roll and the frame-height.**

Position the batting bar bracket assembly on the outside of the front end leg, as shown in **Fig. 12-1**. The bracket is installed approximately in the center of the upper end leg. Ensure that both brackets are set at the same height.

**12-2:** Insert the four (4) M6x25mm QF05300-113 through the batting bar bracket assembly and into the weld nuts on the clamp. Adjust to the desired height and tighten the screws until the clamp remains fixed at the desired height. Do not over-tighten the clamp.

**12-3:** Repeat **Step 12-1** and **Step 12-2** to install the remaining batting bar bracket at the other end of the frame. Be sure to set the batting bar bracket assembly to the same height on both sides.

## Steps 13 & 14

### Pole to Frame Assembly

### Rubber End Cap Assembly

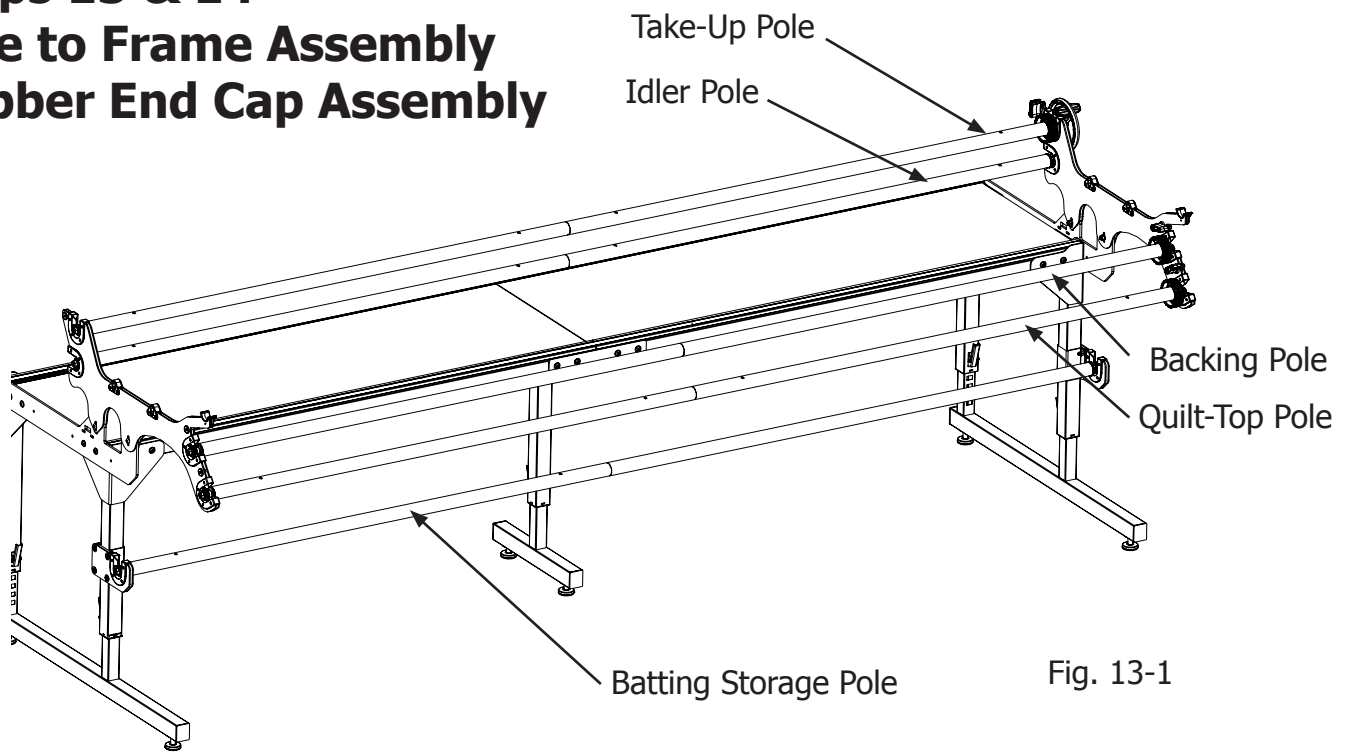


Fig. 13-1

### Step 13: Pole to Frame Assembly

#### Parts needed

- (1) frame assembly
- (1) batting storage pole
- (1) quilt-top pole
- (1) backing pole
- (1) take-up pole

**13-1:** Place the poles on the frame as shown in **Fig. 13-1**. The poles will snap past the plastic fingers, which are shown in **Detail 8-2a**.

### Step 14: Rubber End Cap Assembly

#### Parts needed

- (1) frame assembly with poles
- (8) rubber end caps

**14-1:** Slide one (1) rubber end cap onto the end of each bolt sticking out of the pole ends, as shown in **Fig. 14-1**. If the poles are assembled properly, there should be approximately 3/8-inch to 1/2-inch of metal threads showing beyond the ends of the pole.

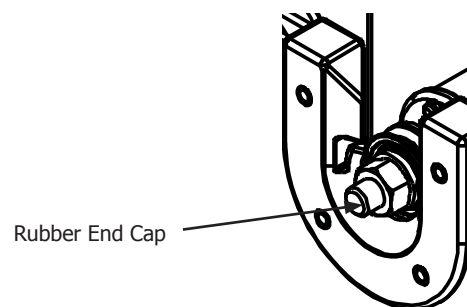


Fig. 14-1

# Steps 15 & 16

## Bungee Clamp Assembly

### Hook & Loop Tape on Pole Assemblies

#### Step 15: Bungee Clamp Assembly

##### Parts needed

- 1- Frame Assembly
- 4- Bungee Clamps QF09318-110

**15-1:** Thread the bungee clamp cord from the inside of the frame through the bungee slot and then pull the cord in a downward movement to lock the bungee clamp into place. (**Fig. 15-1**)

**15-2:** Follow **Step 15-1** for the remaining three bungee clamps.

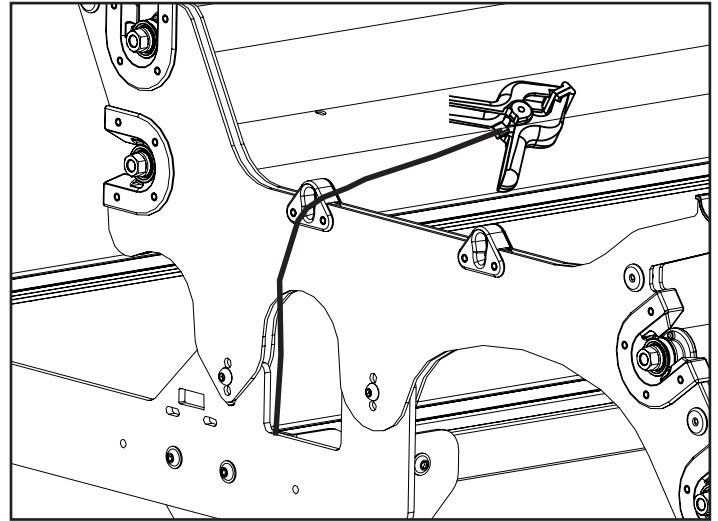


Fig. 15-1

#### Step 16: Hook & Loop Tape on Pole Assemblies

##### Parts needed

- (1) frame assembly
- (1) quilt top pole
- (1) backing pole
- (1) take-up pole
- (3) hook & loop tapes QF00665

##### Tools Required

- measuring tape or ruler (not provided)
- scissors (not provided)



**NOTE:** Take care to stick the hook & loop tape on straight. This step will determine how well your quilts load in the future. Use the Spring Coupler snap buttons as a guide when aligning the hook & loop tape for best results.

**16-1:** Prepare to attach the Velcro to the quilt top pole, backing pole, and take-up pole, by measuring in 3-inch from each end of the pole. Peel the backing off the hook & loop tape as you go and apply to all three poles, starting at the 3-inch mark and ending at the opposite

3-inch mark. Take care to stick the hook & loop tape on straight. This step will determine how well your quilts load in the future. Use the spring buttons as a guide when aligning the hook & loop tape for best results. **Hint:** Attach the hook & loop tape next to the snap buttons, not between.

Once the hook & loop tape has been adhered from one end of the poles to the other, it can be clipped where the poles meet at the pole coupler.

# Steps 17 & 18

## Attach Leaders

### Adjusting Frame Height and Leveling

#### Step 17: Attach Leaders

##### Parts needed

- (1) frame assembly with hook & loop tape applied to Poles
- (3) leaders (sold separately BLQL)

**17-1:** Mark the center of the leaders on both the hook & loop tape and the hemmed edge. Mark the center of the quilt top pole, backing pole and take-up pole with a permanent marker.

**17-2:** Beginning in the center, align the marks and attach the leaders to the hook & loop tape on backing pole and the quilt top pole so the marked sides of the leaders hang to the center between the poles.

Beginning in the center, align the marks and attach the remaining leader so it falls to the back of the take-up pole.

#### Step 18: Adjusting Frame Height and Leveling

**18-1:** Adjust the frame height so that when standing at the front of the machine with your hands on the front handle bars, your elbows are bent at a 90 degree angle. It is recommended to have a second person lift the frame weight off the height adjusting screws when you need to make a height adjustment.

Ensure that the height-adjustment screws in each leg are in the same slot and fully tightened. The rough height setting is done at the slots in the legs and the fine adjustment is done at the leveling glides at the bottom of each leg. The 16mm/10mm wrench is designed to fit the leveling glide.

**18-2:** Double-check to make sure the frame is level. Using a spirit level, check and adjust the frame top to be level in the place where it will be used, both front to back and side to side, by adjusting the leveling feet. Double-check the table top frame to ensure that it is flat at the splice braces and not sagging or high at the joints. If no spirit level is available, check the table with machine on the carriage and the tracks. When the table is level, the machine should stay where you put it and not roll forward, back or side to side.

