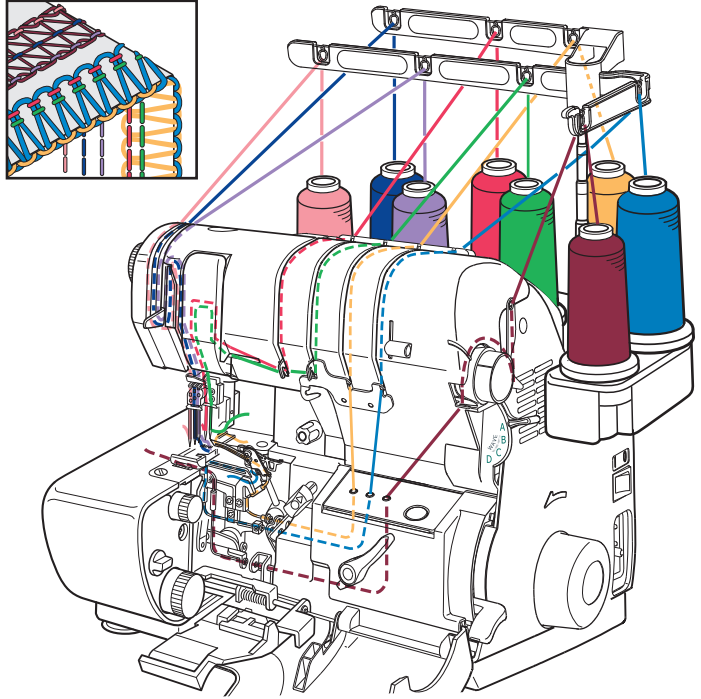


COMBINATION

8-Thread

Triple Cover + 4-Thread Overlock

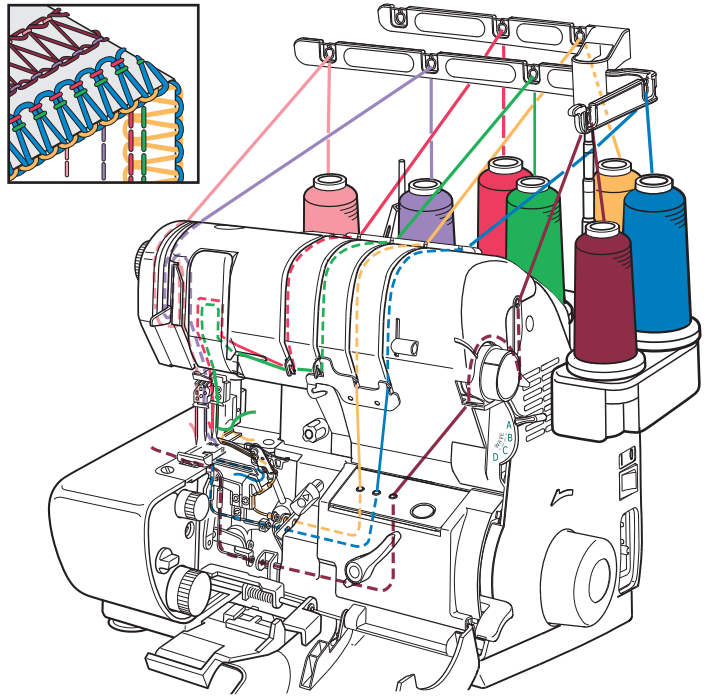
C1	C2	C3	O1	O2	Length	Width	Stitch Selector	Wave Selector	Chain Needle Tension	Chain Looper Tension
					3	7.5	A	OVERLOCK	4-6	COVER
Upper Looper Selector down		Blade Position up		Knife Cover		Subsidiary Looper				



7-Thread

Cover Stitch Wide + 4-Thread Overlock

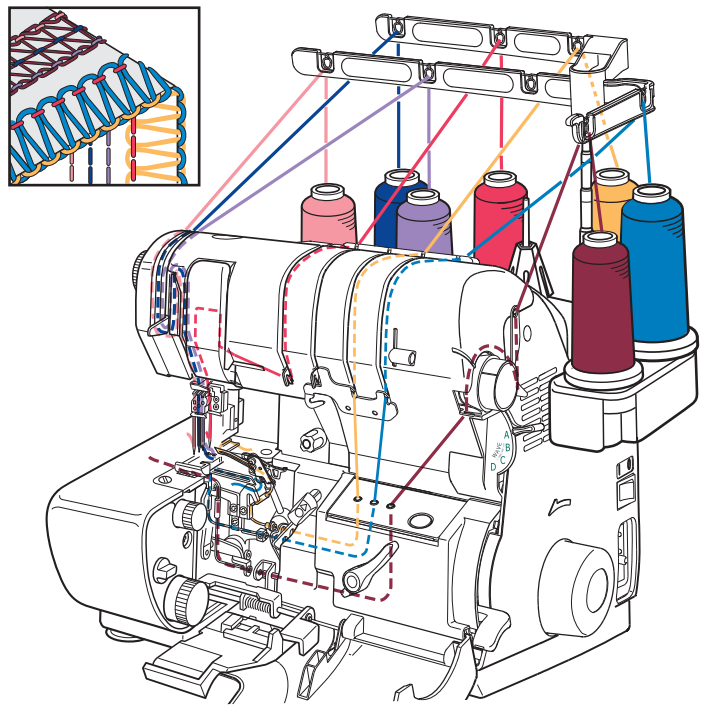
C1	C2	C3	O1	O2	Length	Width	Stitch Selector	Wave Selector	Chain Needle Tension	Chain Looper Tension
					3	7.5	A	OVERLOCK	4-6	COVER
Upper Looper Selector down		Blade Position up		Knife Cover		Subsidiary Looper				



7-Thread

Triple Cover + 3-Thread Overlock Wide

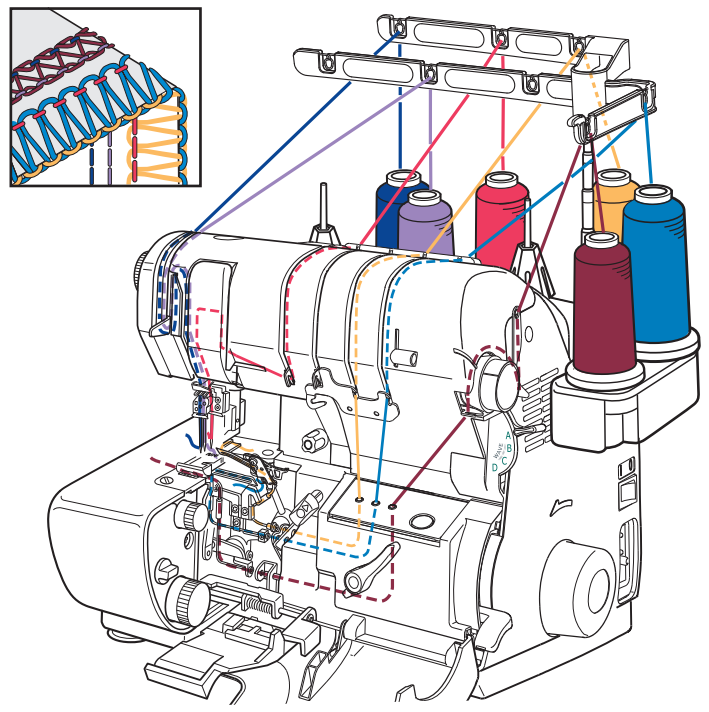
C1	C2	C3	O1	O2	Length	Width	Stitch Selector	Wave Selector	Chain Needle Tension	Chain Looper Tension
					3	7.5	A	OVERLOCK	4-6	COVER
Upper Looper Selector down		Blade Position up		Knife Cover		Subsidiary Looper				



6-Thread

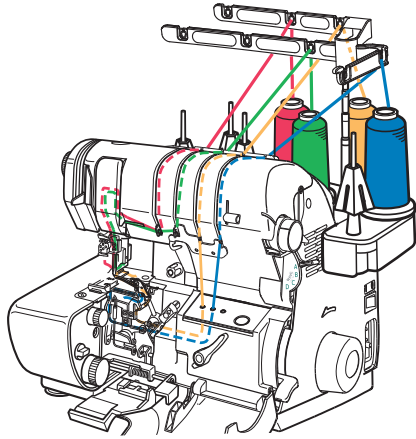
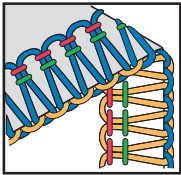
Cover Narrow Right + 3-Thread Overlock Wide

C1	C2	C3	O1	O2	Length	Width	Stitch Selector	Wave Selector	Chain Needle Tension	Chain Looper Tension
					3	7.5	A	OVERLOCK	4-6	COVER
Upper Looper Selector down		Blade Position up		Knife Cover		Subsidiary Looper				



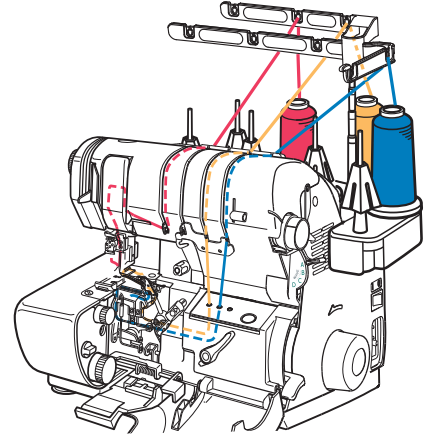
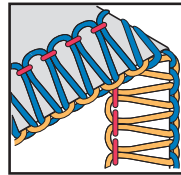
4-Thread Overlock

C1	C2	C3	O1	O2	Length	Width	Stitch Selector	Wave Selector	Chain Needle Tension	Chain Looper Tension
down	up	down	up	down	2.5-3.5	6.5-7.5	A	OVERLOCK	—	—
Upper Looper Selector		Blade Position		Knife Cover		Subsidiary Looper				



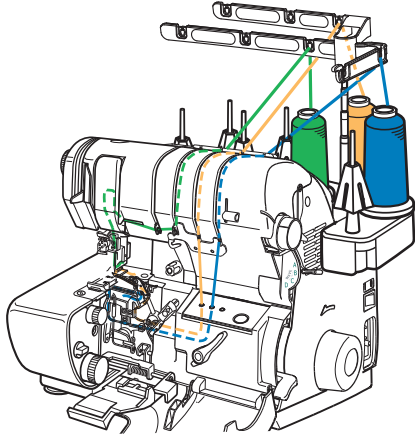
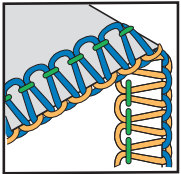
3-Thread Overlock-Wide

C1	C2	C3	O1	O2	Length	Width	Stitch Selector	Wave Selector	Chain Needle Tension	Chain Looper Tension
down	up	down	up	down	2-3	7.5	A	OVERLOCK	—	—
Upper Looper Selector		Blade Position		Knife Cover		Subsidiary Looper				



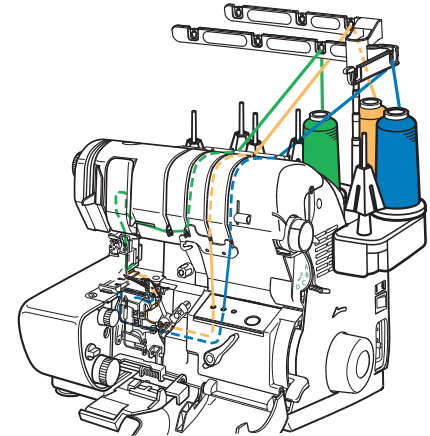
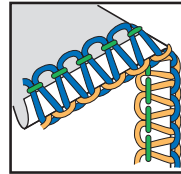
3-Thread Overlock-Narrow

C1	C2	C3	O1	O2	Length	Width	Stitch Selector	Wave Selector	Chain Needle Tension	Chain Looper Tension
down	up	down	up	down	2.5-3.5	3.0	B	OVERLOCK	—	—
Upper Looper Selector		Blade Position		Knife Cover		Subsidiary Looper				



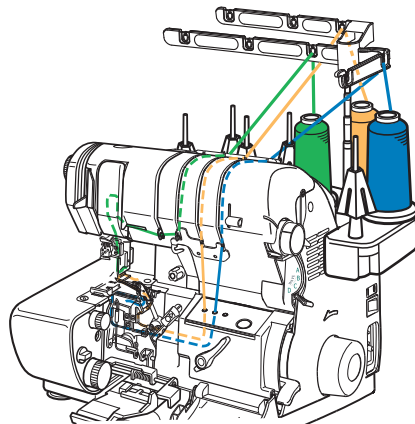
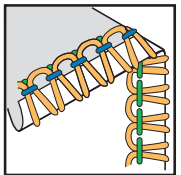
3-Thread Overlock-Narrow Hem

C1	C2	C3	O1	O2	Length	Width	Stitch Selector	Wave Selector	Chain Needle Tension	Chain Looper Tension
down	up	down	up	down	0.75-4.0R	3.0	C	OVERLOCK	—	—
Upper Looper Selector		Blade Position		Knife Cover		Subsidiary Looper				

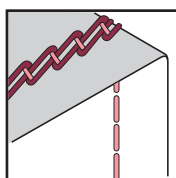


3-Thread Overlock-Rolled Edge

C1	C2	C3	O1	O2	Length	Width	Stitch Selector	Wave Selector	Chain Needle Tension	Chain Looper Tension
down	up	down	up	down	0.75-4.0R	3.5	D	OVERLOCK	—	—
Upper Looper Selector		Blade Position		Knife Cover		Subsidiary Looper				



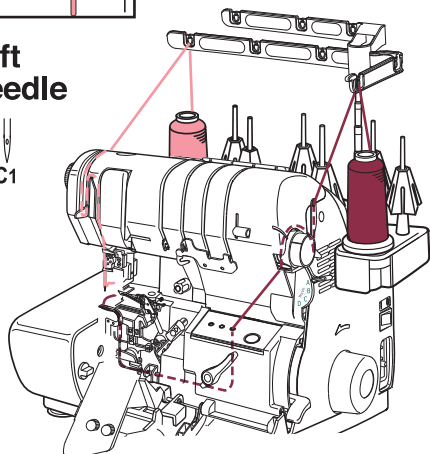
Chain Stitch-Left / Center / Right Needle



Length	Width	Stitch Selector	Wave Selector	Chain Needle Tension	Chain Looper Tension	Upper Looper Selector	Blade Position	Sewing Table	Subsidiary Looper
2.5-4.0	—	—	—	4-6	CHAIN	down up	LOCK		—

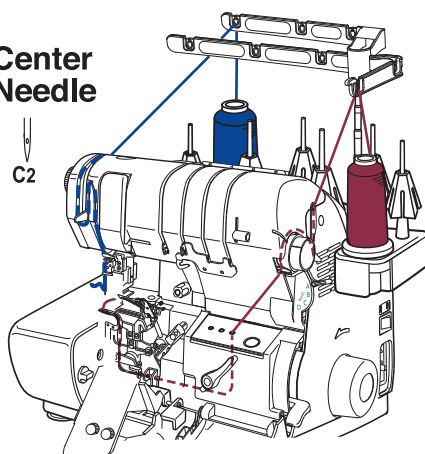
Left Needle

C1



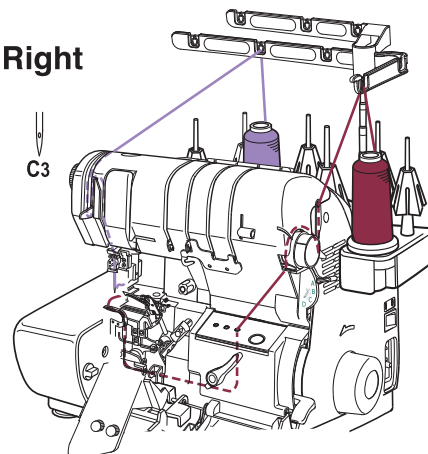
Center Needle

C2



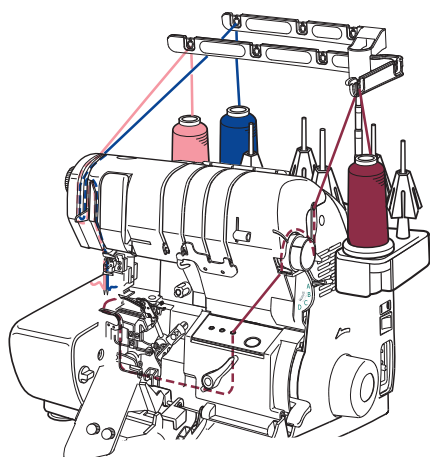
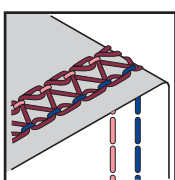
Right

C3



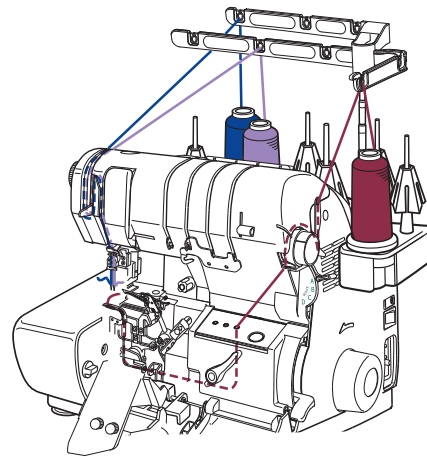
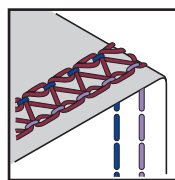
Cover Stitch-Left Narrow

C1 C2 C3 O1 O2	Length	Width	Stitch Selector	Wave Selector	Chain Needle Tension	Chain Looper Tension	Upper Looper Selector	Blade Position	Sewing Table	Subsidiary Looper
C1 C2 C3 O1 O2	2.5-4.0	—	—	—	4-6	COVER	down up	LOCK		—



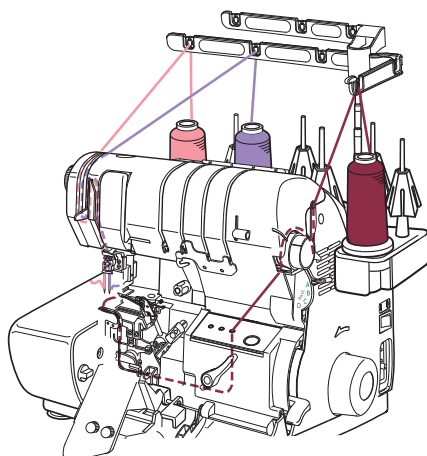
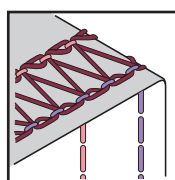
Cover Stitch-Right Narrow

C1 C2 C3 O1 O2	Length	Width	Stitch Selector	Wave Selector	Chain Needle Tension	Chain Looper Tension	Upper Looper Selector	Blade Position	Sewing Table	Subsidiary Looper
C1 C2 C3 O1 O2	2.5-4.0	—	—	—	4-6	COVER	down up	LOCK		—



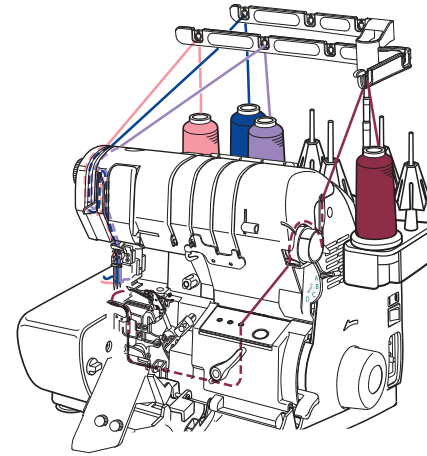
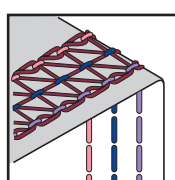
Cover Stitch-Wide

C1 C2 C3 O1 O2	Length	Width	Stitch Selector	Wave Selector	Chain Needle Tension	Chain Looper Tension	Upper Looper Selector	Blade Position	Sewing Table	Subsidiary Looper
C1 C2 C3 O1 O2	2.5-4.0	—	—	—	4-6	COVER	down up	LOCK		—



Triple Cover Stitch

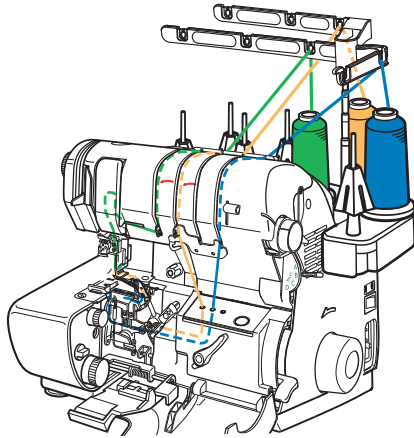
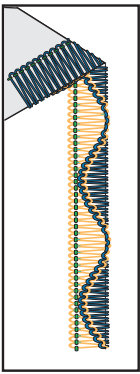
C1 C2 C3 O1 O2	Length	Width	Stitch Selector	Wave Selector	Chain Needle Tension	Chain Looper Tension	Upper Looper Selector	Blade Position	Sewing Table	Subsidiary Looper
C1 C2 C3 O1 O2	2.5-4.0	—	—	—	4-6	COVER	down up	LOCK		—



OVERLOCK

3-Thread Wave Stitch

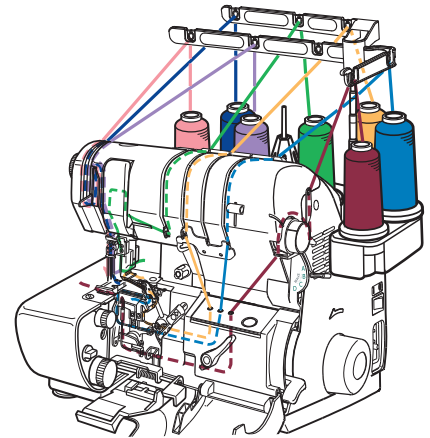
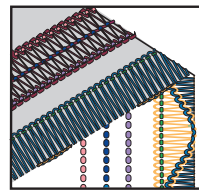
C1	C2	C3	O1	O2	Length 0.75-2.5	Width 5.0	Stitch Selector B	Wave Selector WAVE	Chain Needle Tension —	Chain Looper Tension —
Upper Looper Selector down		Blade Position up		Knife Cover		Subsidiary Looper				



COMBINATION

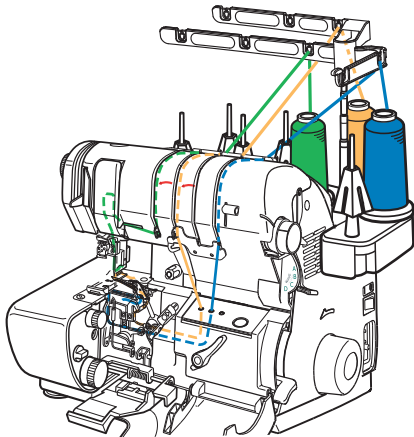
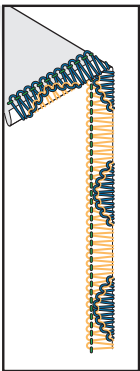
7-Thread Triple Cover + 3-Thread Wave Stitch

C1	C2	C3	O1	O2	Length 1.5-2.0	Width 5.0	Stitch Selector B	Wave Selector WAVE	Chain Needle Tension 4-6	Chain Looper Tension COVER
Upper Looper Selector down		Blade Position up		Knife Cover		Subsidiary Looper				



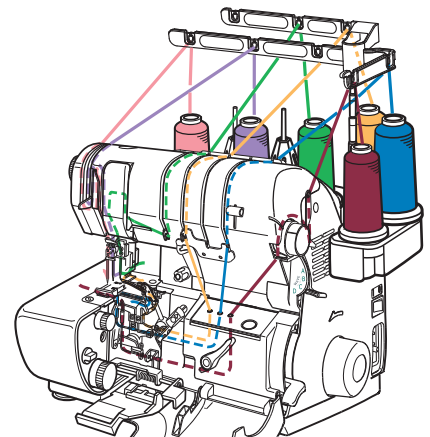
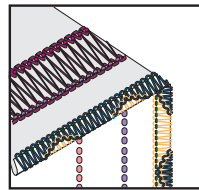
3-Thread Rolled Wave Stitch

C1	C2	C3	O1	O2	Length 0.75-1.5R	Width 3.0-5.0	Stitch Selector C	Wave Selector WAVE	Chain Needle Tension —	Chain Looper Tension —
Upper Looper Selector down		Blade Position up		Knife Cover		Subsidiary Looper				



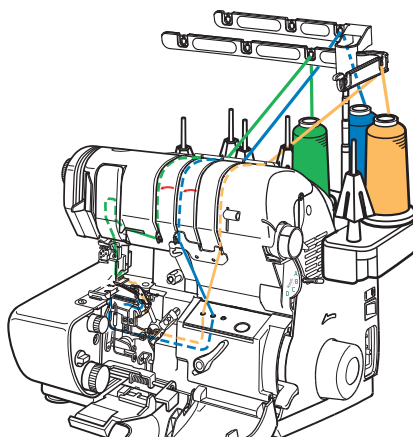
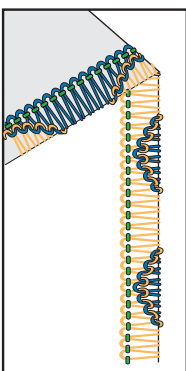
6-Thread Cover Stitch Wide + 3-Thread Rolled Wave

C1	C2	C3	O1	O2	Length 1.5-2.0R	Width 3.5	Stitch Selector C	Wave Selector WAVE	Chain Needle Tension 4-6	Chain Looper Tension COVER
Upper Looper Selector down		Blade Position up		Knife Cover		Subsidiary Looper				



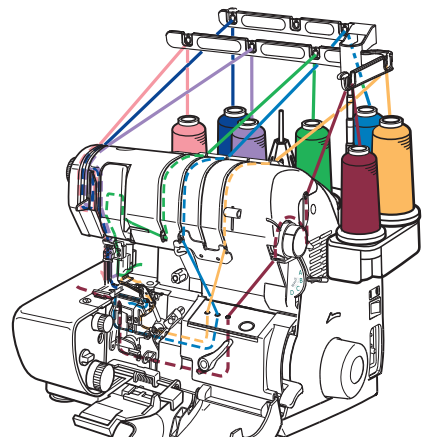
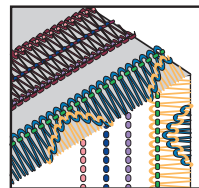
3-Thread Reversed Wave

C1	C2	C3	O1	O2	Length 0.75-2.5	Width 5.0	Stitch Selector B	Wave Selector WAVE	Chain Needle Tension —	Chain Looper Tension —
Upper Looper Selector down		Blade Position up		Knife Cover		Subsidiary Looper				



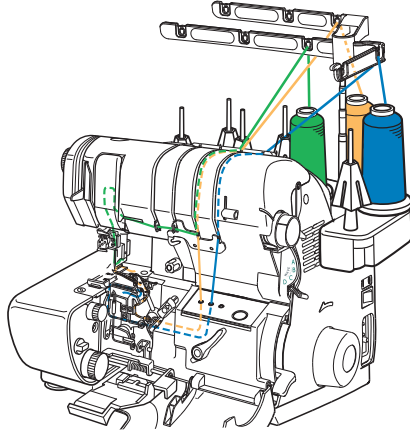
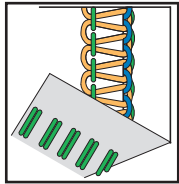
7-Thread Triple Cover + 3-Thread Reversed Wave

C1	C2	C3	O1	O2	Length 1.5-2.0	Width 5.0	Stitch Selector B	Wave Selector WAVE	Chain Needle Tension 4-6	Chain Looper Tension COVER
Upper Looper Selector down		Blade Position up		Knife Cover		Subsidiary Looper				



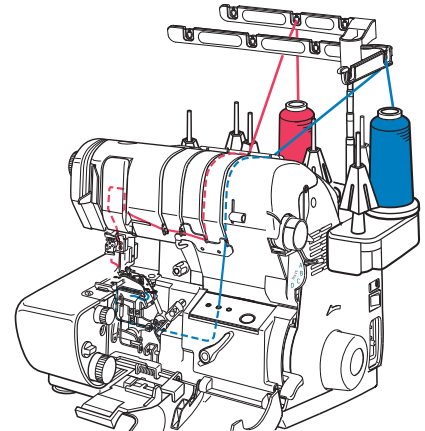
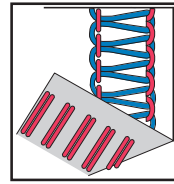
3-Thread Flatlock-Narrow

C1	C2	C3	O1	O2	Length 2-3	Width 3.0-3.5	Stitch Selector D	Wave Selector OVERLOCK	Chain Needle Tension —	Chain Looper Tension —
Upper Looper Selector down		Blade Position up		Knife Cover		Subsidiary Looper				



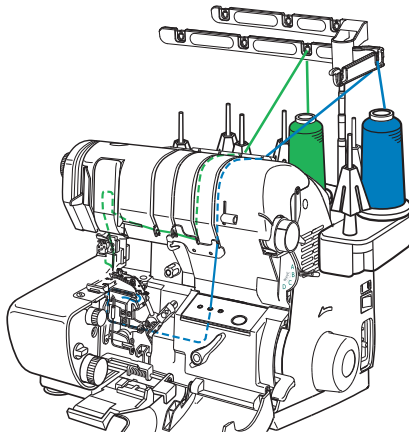
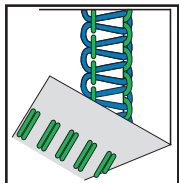
2-Thread Flatlock-Wide

C1	C2	C3	O1	O2	Length 2-2.5	Width 7.5	Stitch Selector A	Wave Selector OVERLOCK	Chain Needle Tension —	Chain Looper Tension —
Upper Looper Selector down		Blade Position LOCK		Knife Cover		Subsidiary Looper				



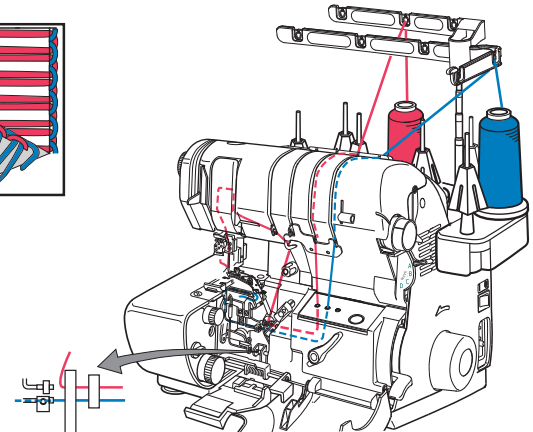
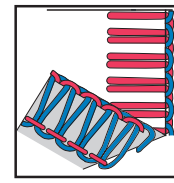
2-Thread Flatlock-Narrow

C1	C2	C3	O1	O2	Length 3-3.5	Width 3.5	Stitch Selector B	Wave Selector OVERLOCK	Chain Needle Tension —	Chain Looper Tension —
Upper Looper Selector down		Blade Position up		Knife Cover		Subsidiary Looper				



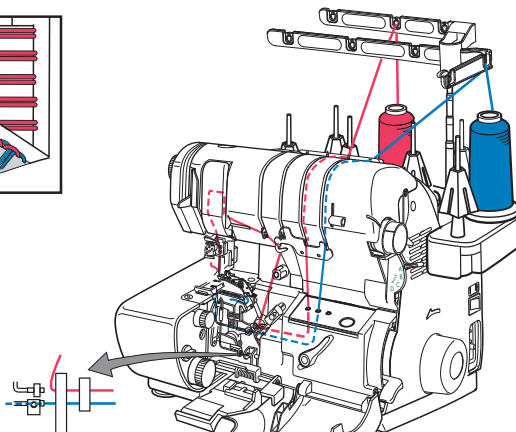
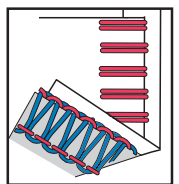
2-Thread Blanket Stitch

C1	C2	C3	O1	O2	Length 4.0	Width 7.5	Stitch Selector A	Wave Selector OVERLOCK	Chain Needle Tension —	Chain Looper Tension —
Upper Looper Selector down		Blade Position up		Knife Cover		Subsidiary Looper				



2-Thread Ladder Stitch

Size 90 Top Stitch Needle	C1	C2	C3	O1	O2	Length 4.0	Width 7.5	Stitch Selector A	Wave Selector OVERLOCK	Chain Needle Tension —	Chain Looper Tension —
Upper Looper Selector down		Blade Position up		Knife Cover		Subsidiary Looper					

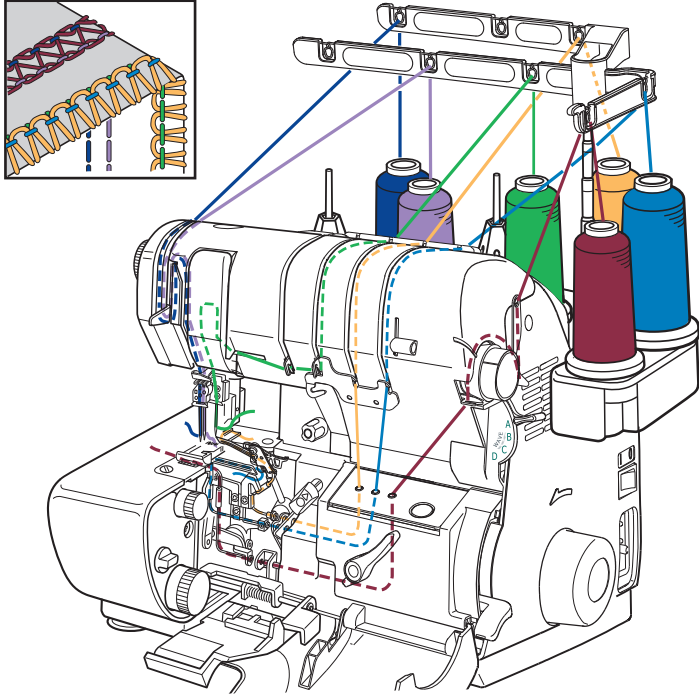
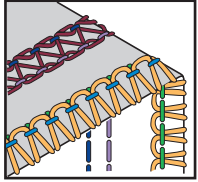


COMBINATION

6-Thread

Cover Narrow Right + 3-Thread Rolled Edge

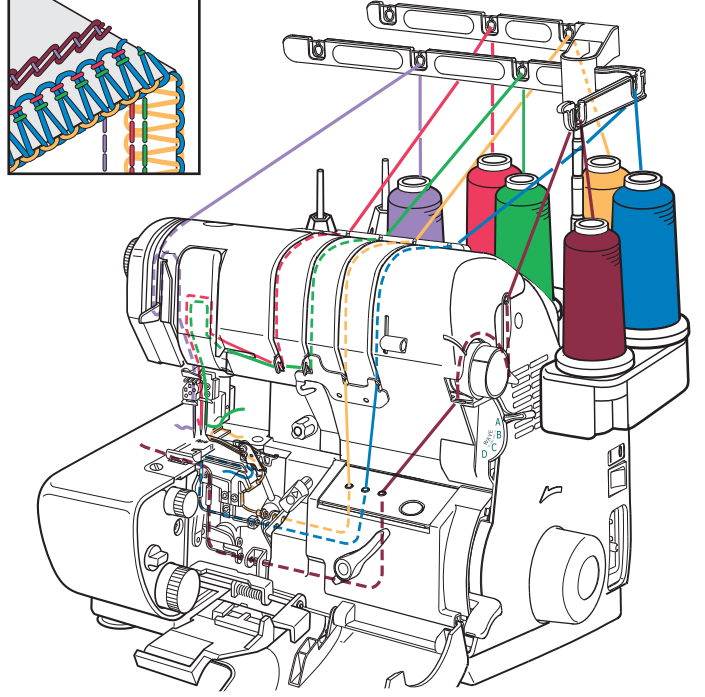
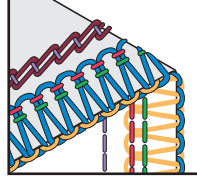
C1	C2	C3	O1	O2	Length	Width	Stitch Selector	Wave Selector	Chain Needle Tension	Chain Looper Tension
					2R	3.5	D	OVERLOCK	4-6	COVER
Upper Looper Selector down		up		Blade Position up		Knife Cover		Subsidiary Looper		



6-Thread

Chain Stitch + 4-Thread Overlock

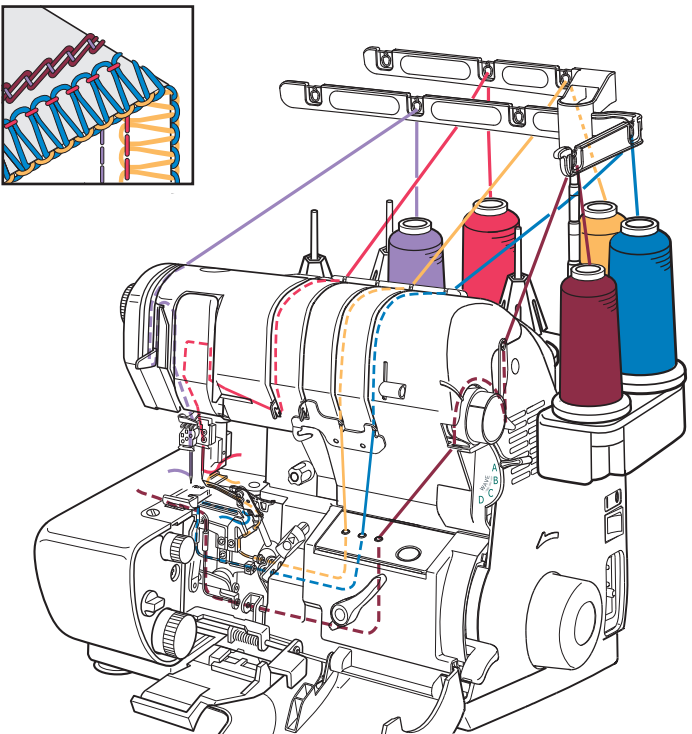
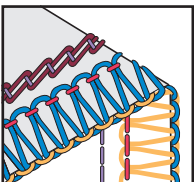
C1	C2	C3	O1	O2	Length	Width	Stitch Selector	Wave Selector	Chain Needle Tension	Chain Looper Tension
					3	7.5	A	OVERLOCK	4-6	CHAIN
Upper Looper Selector down		up		Blade Position up		Knife Cover		Subsidiary Looper		



5-Thread Safety Stitch

Chain Stitch + 3-Thread Overlock Wide

C1	C2	C3	O1	O2	Length	Width	Stitch Selector	Wave Selector	Chain Needle Tension	Chain Looper Tension
					3	7.5	A	OVERLOCK	4-6	CHAIN
Upper Looper Selector down		up		Blade Position up		Knife Cover		Subsidiary Looper		



4-Thread Safety Stitch

Chain Stitch + 2-Thread Overlock Wide

C1	C2	C3	O1	O2	Length	Width	Stitch Selector	Wave Selector	Chain Needle Tension	Chain Looper Tension
					3	3.5	A	OVERLOCK	4-6	CHAIN
Upper Looper Selector down		up		Blade Position up		Knife Cover		Subsidiary Looper		

