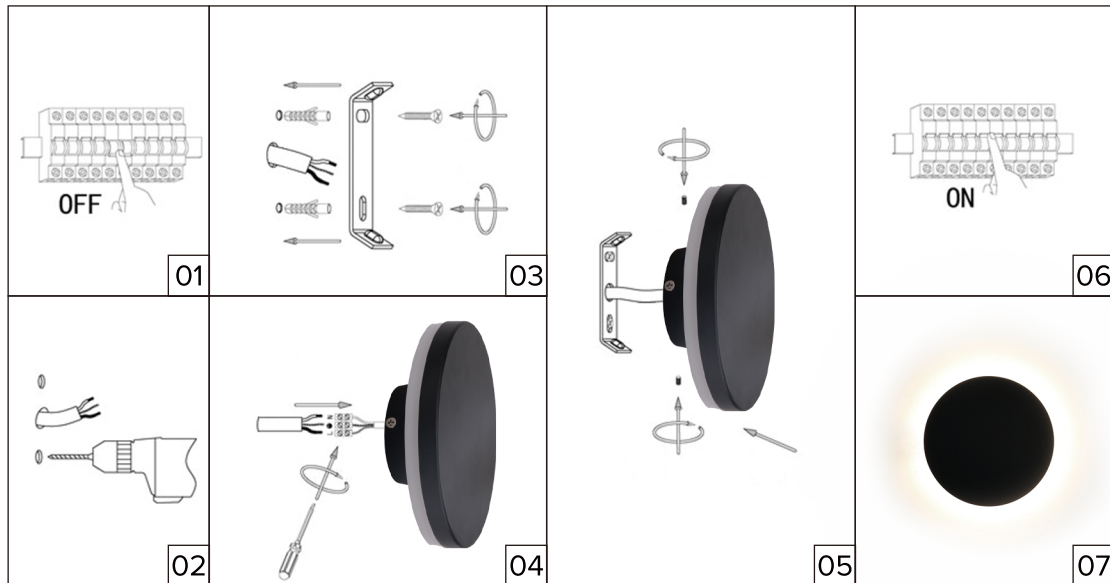




UM BACKLIT WALL LIGHT INSTALLATION GUIDE



- 1) Please ensure Power is SWITCHED OFF
- 2) Mark hole to be drilled
- 3) Remove base plate from the fitting, feed the cable through the hole. Afterwards, attach the base plate by drilling the holes
- 4) Connect Wall Light to mains
- 5) Ensure the fitting is secure
- 6) Switch on the POWER

WATTS: 12W

COLOUR: 3000K / 4000K

CRI: 90

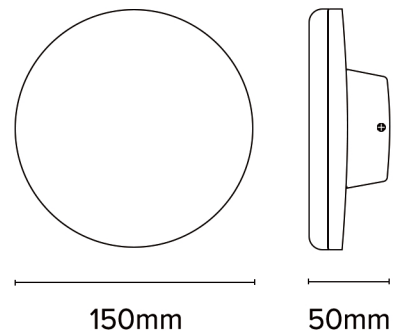
INPUT: 85-265V

IP RATING: IP65

OPERATING TEMP:

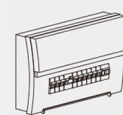
DIMMABLE: NON-DIMMABLE

CLASS I



WARNING ⚡

1. Switch off before installation.
2. Switch on only after complete installation and examination of the circuit.
3. Professional electrician for installation and maintenance only.



Turn Off
Power Supply

Turn Off power supply before starting any installation Read instructions & check you have all the tools & accessories to complete the installation correctly.

WWW.SAVELIGHTUK.COM