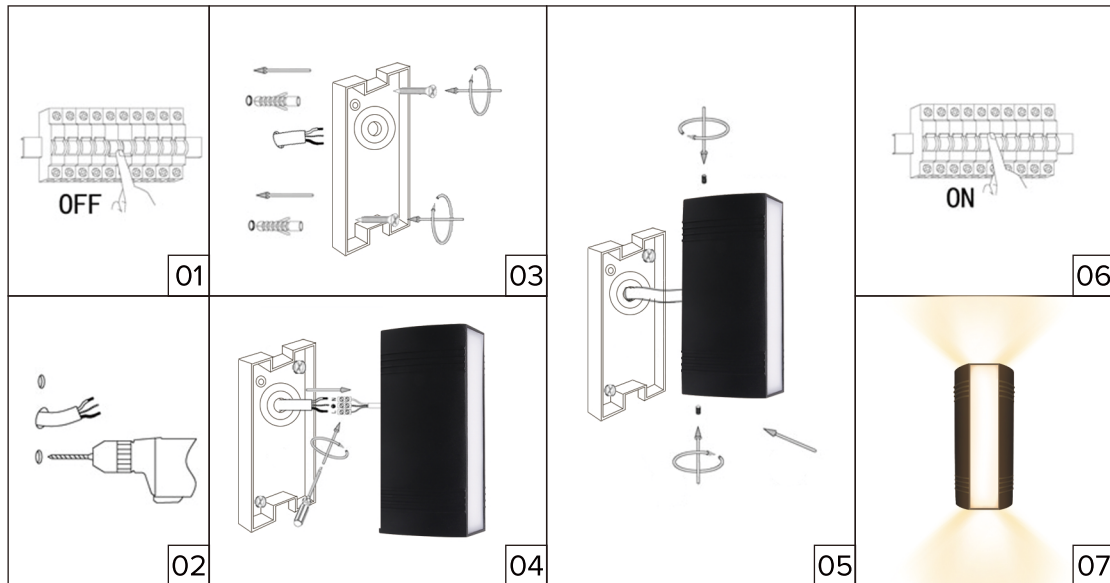


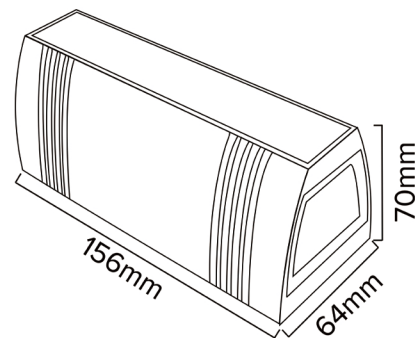


REN WALL WASH LIGHT INSTALLATION GUIDE



- 1) Please ensure Power is SWITCHED OFF
- 2) Mark holes to be drilled
- 3) Remove base plate from the fitting, feed the cable through the hole. Afterwards, attach the base plate by drilling the holes
- 4) Connect the Wall Light to mains
- 5) Ensure the fitting is secure
- 6) Switch on the POWER

WATTS: 12W
COLOUR: 3000K/4000K
CRI: 90
INPUT: 85-265V
IP RATING: IP65
OPERATING TEMP: -20°C+40°C
DIMMABLE: NON-DIMMABLE
CLASS I



WARNING ⚡

1. Switch off before installation.
2. Switch on only after complete installation and examination of the circuit.
3. Professional electrician for installation and maintenance only.

