



wps | handrails
Balustrades & Composite Decking

TL65**00** - TL65**01**
SYSTEMS FOR FRAMELESS
ALL-GLASS BALUSTRADES

TL-6500

0.74 kN Top Mount

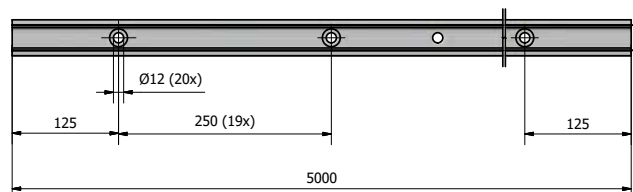
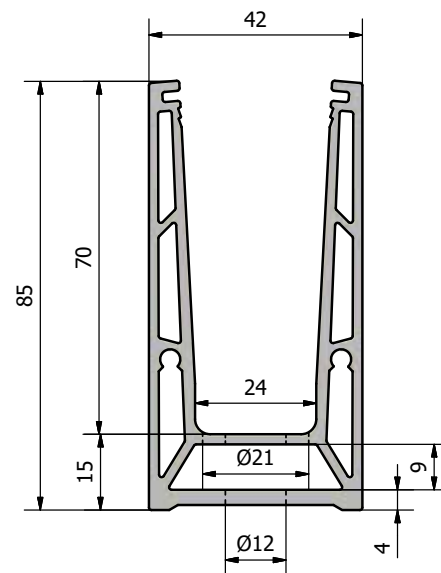
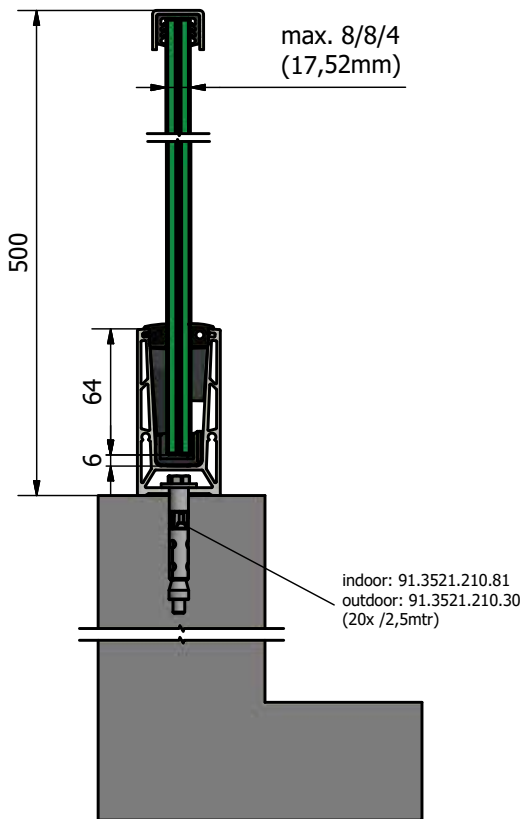
The attika model.

The TL-6500 profile is designed to be particularly small and slim. The impressive thing about it is that it withstands such high loads in spite of its reduced model dimensions. The top mount model is especially suited for use on parapet walls.

The profile can withstand a linear load of 0.74 kN and is suitable for glass thicknesses between 10 mm and 17.52 mm.

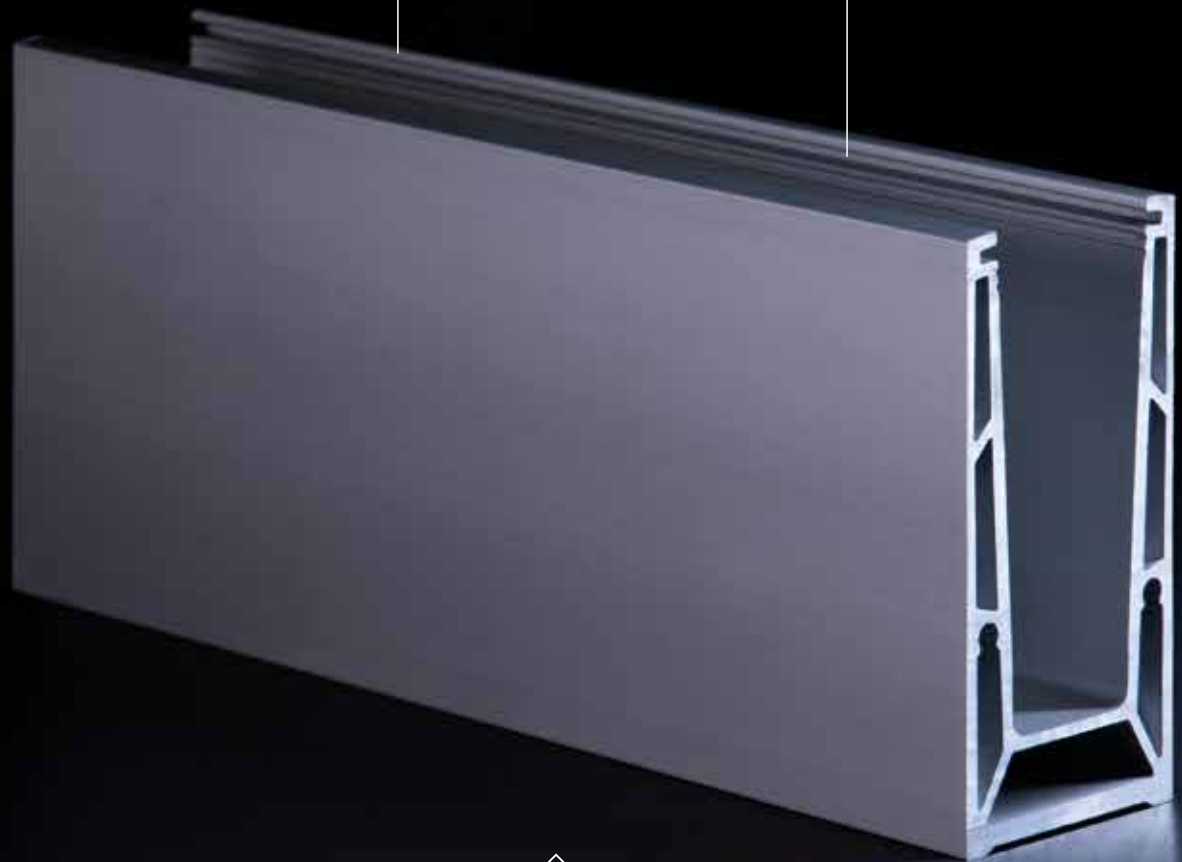
Essential Features

- | Slimline, elegant design and low-maintenance
- | ONLEVEL FLEXFIT Glass Adjustment Tool
- | Extension pin channel
- | Drainage holes
- | Optimally suited for concrete upstand
- | For glass thicknesses between 10 - 17.52 mm



Optimally suited for
concrete upstand

Top Cover and Floor Connect



Top mount

TL-6500 | 0.74 KN TOP MOUNT

Glass profile



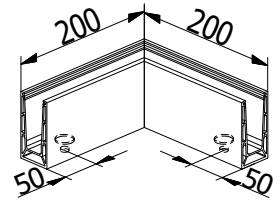
| Height: 85 mm
| Width: 42 mm
| Sales unit: 1 piece

Model 6500	Mill finish	Plain aluminium	RAL coloured
Length	Art. no.	Art. no.	Art. no.
5000	10.6500.005.10	10.6500.005.11	10.6500.005.13/16/18

Inside corner / outside corner 90°



| Side length inside: 158 mm
| Side length outside: 200 mm
| Sales unit: 1 piece

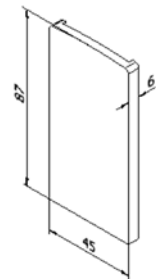


Model 6500	Mill finish	Plain aluminium	RAL coloured
	Art. Nr.	Art. Nr.	Art. Nr.
	10.6500.390.10	10.6500.390.11	10.6500.390.13/16/18

End cap, left/right



| For use on the left and right
| Sales unit: 1 piece

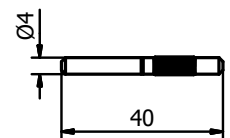


Model 6500	Mill finish	Plain aluminium	RAL coloured
Application	Art. Nr.	Art. Nr.	Art. Nr.
left/right	10.6500.490.10	10.6500.490.11	10.6500.490.13/16/18

Extension pin



| Length: 40 mm
| Diameter: Ø 4 mm
| Sales unit: 8 piece



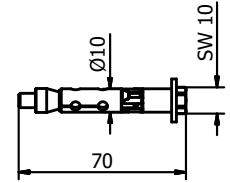
Model 7001	AISI 316 (inside & outside)
	Art. no.
	90.7001.440.31

TL-6500 | 0.74 KN TOP MOUNT

Fischer fixing anchor FH II 12/10



- | Finish interior application: zinc-plated steel (inside)
- | Finish exterior application: V4A (exterior)
- | Required number per 2500 mm: 10 pieces
- | Sales unit: 50 pieces

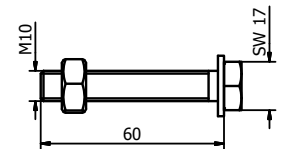


Model 3521	zinc-plated steel (inside)	AISI 316 (exterior)
	Art. no.	Art. no.
	91.3521.210.81	91.3521.210.30

Mounting set for steel



- | Finish interior application: zinc-plated steel (inside)
- | Finish exterior application: V4A (exterior)
- | Required number per 2500 mm: 10 pieces
- | M10 x 60 mm
- | Sales unit: 10 pieces

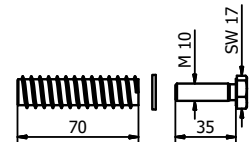


Model 6500	zinc-plated steel (inside)	AISI 316 (exterior)
	Art. no.	Art. no.
	91.6500.060.81	91.6500.060.30

Mounting set for wood



- | Finish interior application: zinc-plated steel (inside)
- | Required number per 2500 mm: 13 pieces
- | M10
- | Sales unit: 10 pieces



Model 6500	zinc-plated steel (inside)
	Art. no.
	91.6500.800.81



FLEXFIT 0.74 kN



- | Fine adjustment of glass panes
- | For glass thicknesses between 12.76 - 17.52 mm
- | Adjustment of up to 34 mm in relation to the vertical axis
- | Pay attention to the right glass thickness!

Length		5000 mm
Glass thickness	Wedge colour	Art. no.
10 mm	black	90.0505.010.00
5/5/2 (10.76 mm)	black	90.0505.011.00
12 mm	black	90.0505.012.00
6/6/2 (12.76 mm)	red	90.0505.013.00
8/8/2 (16.76 mm)	red	90.0505.017.00
8/8/4 (17.52 mm)	green	90.0505.018.00

TL-6501

0.74 kN Side Mount

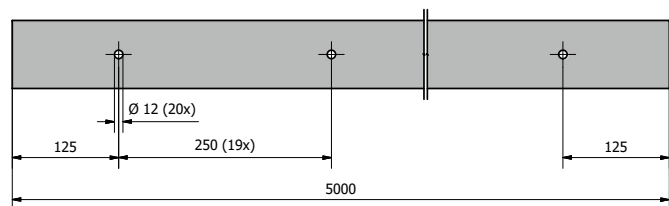
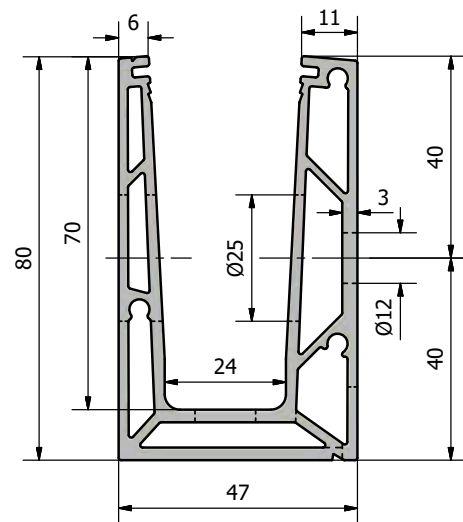
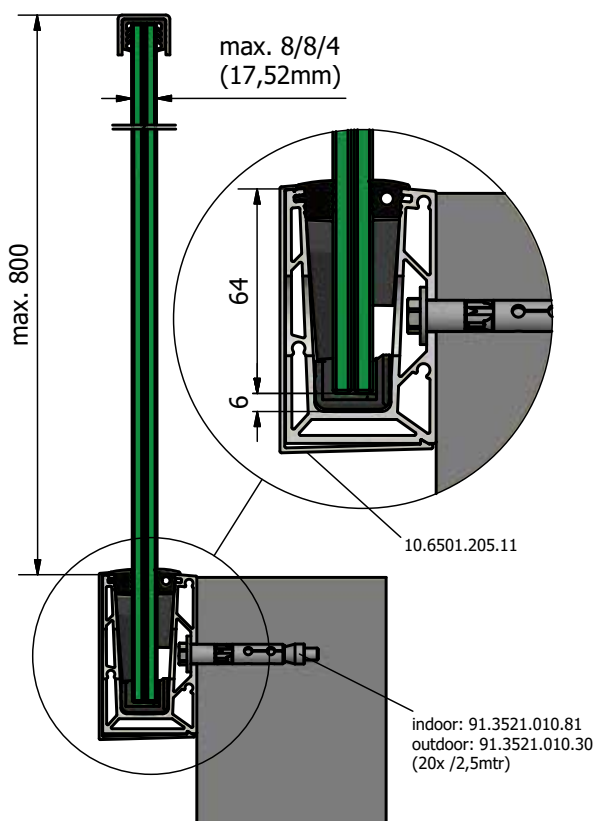
The side mounting model.

The TL-6501 is the counterpart to the TL-6500 for side mounting for parapet walls.. With its height of 85 mm, it also has model dimensions and is predestined for glass thicknesses between 10 and 17.52 mm in 0.74 kN applications.

The slimline profile is optimally suited for concrete upstand and is equipped with an extension pin channel and drainage holes.

Essential Features

- | Slimline, elegant design and low-maintenance
- | ONLEVEL FLEXFIT Glass Adjustment Tool
- | Extension pin channel
- | Drainage holes
- | Optimally suited for concrete upstand
- | For glass thicknesses between 10 - 17.52 mm



Optimally suited for
concrete upstand

Top Cover and Floor Connect



Side mount

TL-6501 | 0.74 KN SIDE MOUNT

Glass profile



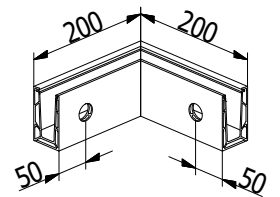
| Height: 80 mm
| Width 47 mm
| Sales unit: 1 piece

Model 6501	Mill finish	Plain aluminium	RAL coloured
Length	Art. no.	Art. no.	Art. no.
5000	10.6501.005.10	10.6501.005.11	10.6501.005.13/16/18

Inside corner 90°



| Side length inside: 153 mm
| Side length outside: 200 mm
| Sales unit: 1 piece

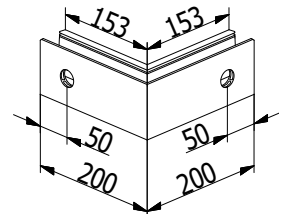


Model 6501	Mill finish	Plain aluminium	RAL coloured
	Art. no.	Art. no.	Art. no.
	10.6501.300.10	10.6501.300.11	10.6501.300.13/16/18

Outside corner 90°



| Side length inside: 153 mm
| Side length outside: 200 mm
| Sales unit: 1 piece

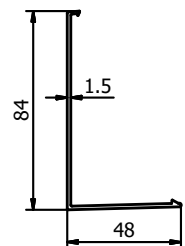


Model 6501	Mill finish	Plain aluminium	RAL coloured
	Art. no.	Art. no.	Art. no.
	10.6501.350.10	10.6501.350.11	10.6501.350.13/16/18

Cover strip



| With mounting strips
| For use with a cover cap, end caps must be ordered separately.
| Sales unit: 1 piece

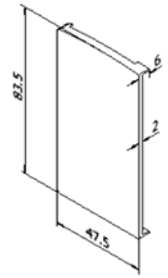


Model 6501	Mill finish	Plain aluminium	RAL coloured
Length	Art. no.	Art. no.	Art. no.
5000	10.6501.205.10	10.6501.205.11	10.6501.205.13/16/18

TL-6501 | 0.74 KN SIDE MOUNT

End cap, left

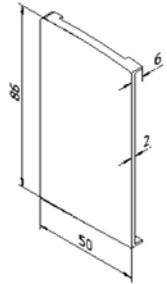
| For use on the left
| Sales unit: 1 piece



Model 6501	Mill finish	Plain aluminium	RAL coloured
Application	Art. no.	Art. no.	Art. no.
left	10.6501.400.10	10.6501.400.11	10.6501.400.13/16/18

End cap, left, with cover cap

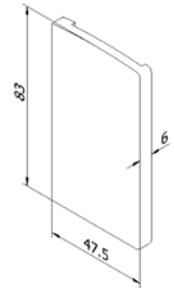
| For use on the left
| Sales unit: 1 piece



Model 6501	Mill finish	Plain aluminium	RAL coloured
Application	Art. no.	Art. no.	Art. no.
left	10.6501.410.10	10.6501.410.11	10.6501.410.13/16/18

End cap, right

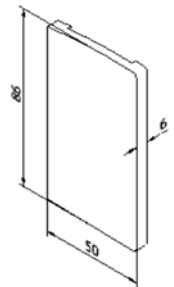
| For use on the right
| Sales unit: 1 piece



Model 6501	Mill finish	Plain aluminium	RAL coloured
Application	Art. no.	Art. no.	Art. no.
right	10.6501.450.10	10.6501.450.11	10.6501.450.13/16/18

End cap, right, with cover cap

| For use on the right
| Sales unit: 1 piece



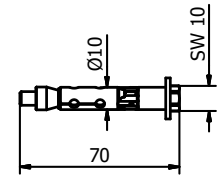
Model 6501	Mill finish	Plain aluminium	RAL coloured
Application	Art. no.	Art. no.	Art. no.
right	10.6501.460.10	10.6501.460.11	10.6501.460.13/16/18

TL-6501 | 0.74 KN SIDE MOUNT

Fischer fixing anchor FH II 12/10



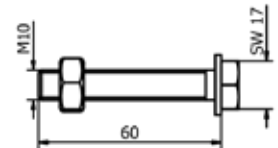
- | Finish interior application: zinc-plated steel (inside)
- | Finish exterior application: V4A (exterior)
- | Required number per 2500 mm: 10 pieces
- | Sales unit: 50 pieces



Model 3521	zinc-plated steel (inside)	AISI 316 (exterior)
	Art. no.	Art. no.
	91.3521.210.81	91.3521.210.30

Mounting set for steel

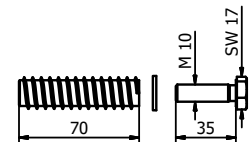
- | Finish interior application: zinc-plated steel (inside)
- | Finish exterior application: V4A (exterior)
- | Required number per 2500 mm: 10 pieces
- | M10 x 60 mm
- | Sales unit: 10 pieces



Model 6501	zinc-plated steel (inside)	AISI 316 (exterior)
	Art. no.	Art. no.
	91.6501.060.81	91.6501.060.30

Mounting set for wood

- | Finish interior application: zinc-plated steel (inside)
- | Required number per 2500 mm: 13 pieces
- | M10
- | Sales unit: 10 pieces



Model 6501	zinc-plated steel (inside)
	Art. no.
	91.6501.800.81



FLEXFIT 0.74 kN

- | Fine adjustment of glass panes
- | For glass thicknesses between 12.76 - 17.52 mm
- | Adjustment of up to 34 mm in relation to the vertical axis
- | Pay attention to the right glass thickness!



Length		5000 mm
Glass thickness	Wedge colour	Art. no.
10 mm	black	90.0505.010.00
5/5/2 (10.76 mm)	black	90.0505.011.00
12 mm	black	90.0505.012.00
6/6/2 (12.76 mm)	red	90.0505.013.00
8/8/2 (16.76 mm)	red	90.0505.017.00
8/8/4 (17.52 mm)	green	90.0505.018.00

PERFECT FIT. PERFECT PRICE.



FLEXFIT is the perfect system for the fine adjustment of glass panes. With FLEXFIT you can adjust any glass pane individually while positioning it up to 34 mm in relation to the vertical axis.

Ready.

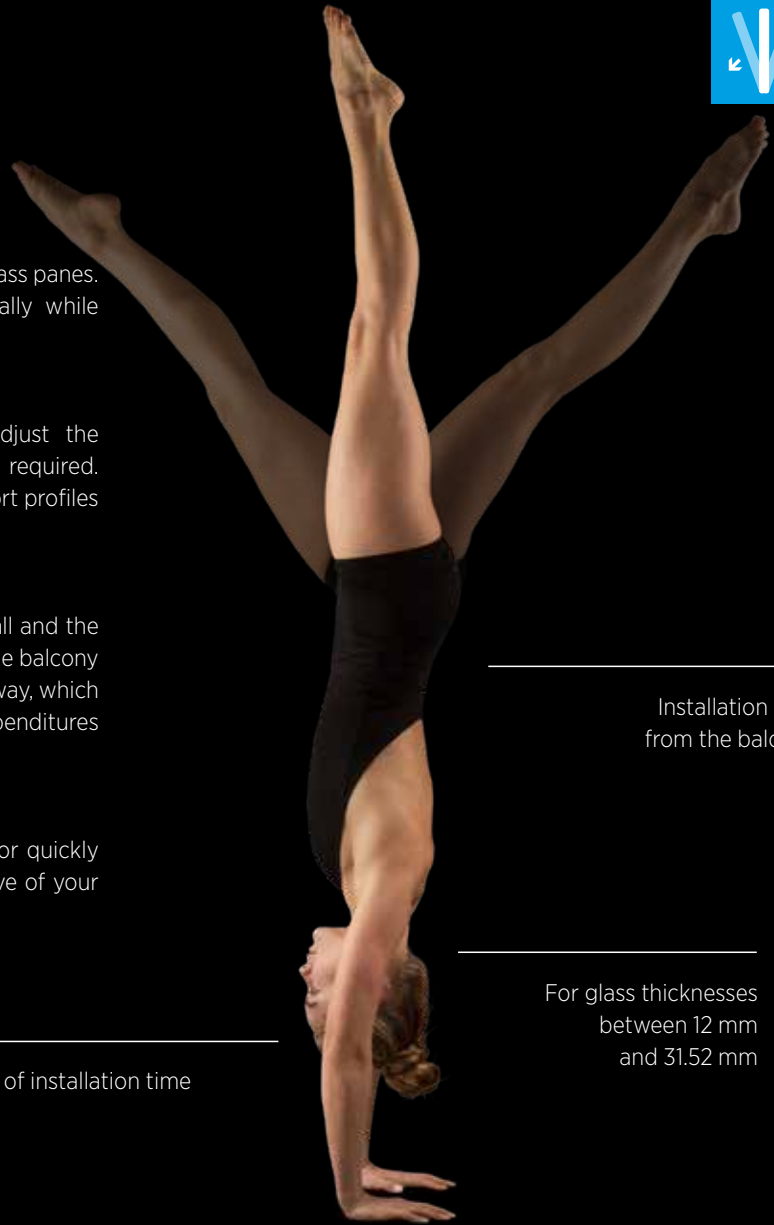
With only one simple sliding movement, you can adjust the glass that precisely that 30% less mounting time is required. FLEXFIT is optionally available in all Translevel glass support profiles for thicknesses between 12 mm and 31.52 mm.

Steady.

Standard systems often require installation on both the fall and the balcony sides. FLEXFIT can be handled exclusively from the balcony side. This applies for the entire installation process, by the way, which is not only much safer but also saves you unnecessary expenditures for a scaffold or lifting platform.

Go.

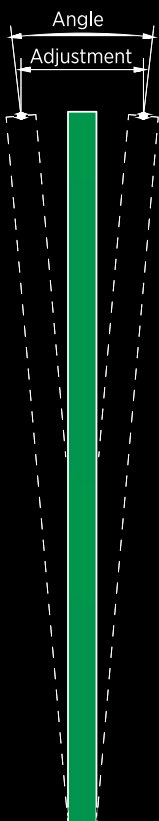
ONLEVEL has developed the practical FLEXFIT system for quickly and perfectly adjusting glass panels: With one single move of your hand, you can adjust the glass with millimetric precision.



Installation only
from the balcony
side

For glass thicknesses
between 12 mm
and 31.52 mm

Saves 30% of installation time



GLASS THICKNESS 0.74kN	ANGLE	GLASS HEIGHT 1000mm	GLASS HEIGHT 1100mm	GLASS HEIGHT 1200mm
		ADJUSTMENT	ADJUSTMENT	ADJUSTMENT
12 mm	1.6°	28 mm	30 mm	34 mm
12.76 mm (6/6/2)	1.6°	28 mm	30 mm	34 mm
13.52 mm (6/6/4)	1.6°	28 mm	30 mm	34 mm
15 mm	1.6°	28 mm	30 mm	34 mm
16.76 mm (8/8/2)	1.0°	28 mm	30 mm	34 mm
17.52 mm (8/8/4)	1.6°	28 mm	30 mm	34 mm
19 mm	1.0°	18 mm	20 mm	22 mm
20.76 mm (10/10/2)	1.0°	18 mm	20 mm	22 mm
21.52 mm (10/10/4)	1.0°	18 mm	20 mm	22 mm

GLASS THICKNESS 3.0kN	ANGLE	GLASS HEIGHT 1000mm	GLASS HEIGHT 1100mm	GLASS HEIGHT 1200mm
		ADJUSTMENT	ADJUSTMENT	ADJUSTMENT
21.52 mm (10/10/4)	1.0°	28 mm	30 mm	34 mm
25.52 mm (12/12/4)	1.6°	28 mm	30 mm	34 mm
31.52 mm (15/15/4)	1.0°	18 mm	20 mm	22 mm



WPS handrails | Showroom Address: Unit B2 - Anchor Book Industrial Park | Lockside | Aldridge | WS9 8DJ