

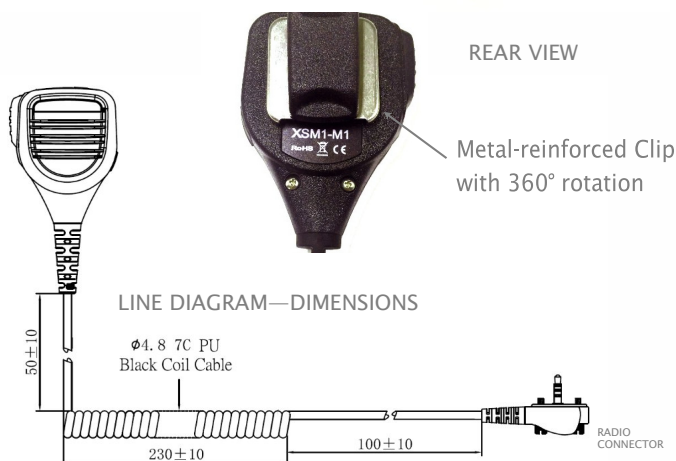
## GENERAL PURPOSE INDUSTRIAL SPEAKER MICROPHONE

RUGGED, ERGONOMIC, LOW PROFILE  
ALL AROUND PERFORMANCE



Durable Kevlar  
reinforced cable

3.5mm  
Audio Jack



**Model:** XSM1

### Product Description

Industrial Strength Low Profile Ergonomic Speaker Microphone. Great all around performance microphone is our most popular design. Water, dust and impact resistant.

### Product Features

- Loud and Clear Sound
- Robust, low profile ergonomic design
- Environmental Polyurethane cable reinforced with Kevlar
- Rugged clothing clip - 360° rotation - has 8 positions to meet users requirement
- Large, metal-reinforced clip for increased durability
- Powerful speaker produces crisp and clear receive audio
- Easy access PTT button
- 3.5mm earphone jack for optional receive audio earpiece or headset (see separate sell sheet for all of our available options)
- Available for most makes and models of two-way radio